

PLEASE CHECK WWW.MOLEX.COM FOR LATEST PART INFORMATION

Part Number: [0785280001](#)
Status: **Active**
Description: 0.80mm(.031"), 1.27mm(.050") Micro SAS Plug, Right Angle, Straddle Mount, with drive holder, 0.76µm (30µ") Gold (Au) Plating, 23 Circuits, Halogen free, Lead free

Documents:

[3D Model](#) [Product Specification PS-78528-001 \(PDF\)](#)
[Drawing \(PDF\)](#) [RoHS Certificate of Compliance \(PDF\)](#)

Agency Certification

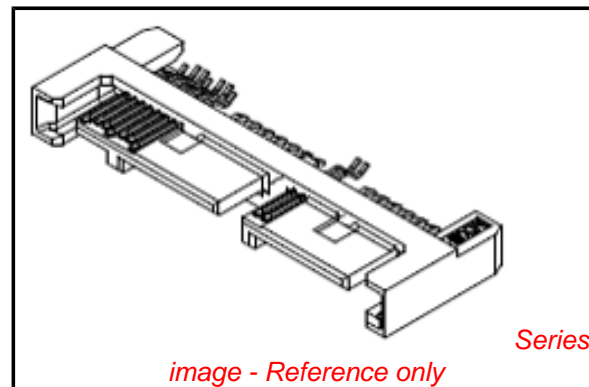
CSA LR19980
 UL E29179

General

Product Family I/O Connectors
 Series [78528](#)
 Application Board-to-Board
 Comments Drive holder feature in housing to support drive casing (refer to isometric picture in Sales drawing); housing is not flush but has step
 Component Type Plug
 Product Name Micro SAS
 Type N/A

Physical

Boot Color N/A
 Circuits (Loaded) 25
 Circuits (maximum) 25
 Circuits Detail Signal 14, Power 9, Sideband 2
 Color - Resin Black
 Durability (mating cycles max) 500
 Flammability 94V-0
 Gender Male
 Keying to Mating Part Yes
 Lock to Mating Part None
 Material - Metal Copper Alloy
 Material - Plating Mating Gold
 Material - Plating Termination Tin
 Material - Resin High Temperature Thermoplastic
 Number of Rows 2
 Orientation Horizontal
 PCB Locator No
 PCB Retention Yes
 PCB Thickness Recommended (in) 0.039 In
 PCB Thickness Recommended (mm) 1.00 mm
 Packaging Type Tray
 Panel Mount Yes
 Pitch - Mating Interface (in) 0.031 In, 0.050 In
 Pitch - Mating Interface (mm) 0.80 mm, 1.27 mm
 Plating min: Mating (µin) 30
 Plating min: Mating (µm) 0.76
 Plating min: Termination (µin) 75
 Plating min: Termination (µm) 1.91
 Polarized to Mating Part Yes
 Polarized to PCB Yes
 Ports 2



EU RoHS

**ELV and RoHS
 Compliant**
**REACH SVHC
 Not Reviewed**
**Halogen-Free
 Status
 Not Reviewed**

China RoHS



Need more information on product environmental compliance?

Email productcompliance@molex.com
 For a multiple part number RoHS Certificate of Compliance, [click here](#)

Please visit the [Contact Us](#) section for any non-product compliance questions.

Search Parts in this Series

[78528Series](#)

Mates With

[78395](#) , [78396](#) , [78495](#) Micro SAS Receptacles

Temperature Range - Operating	0°C to +55°C
Termination Interface: Style	Straddle Mount
Waterproof / Dustproof	No
Wire Size AWG	N/A

Electrical

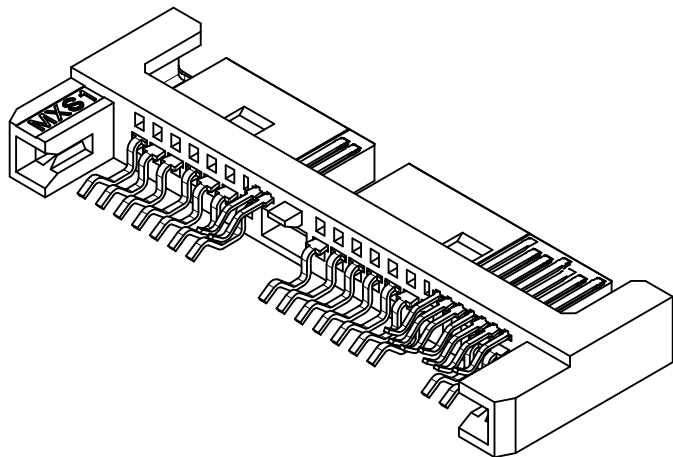
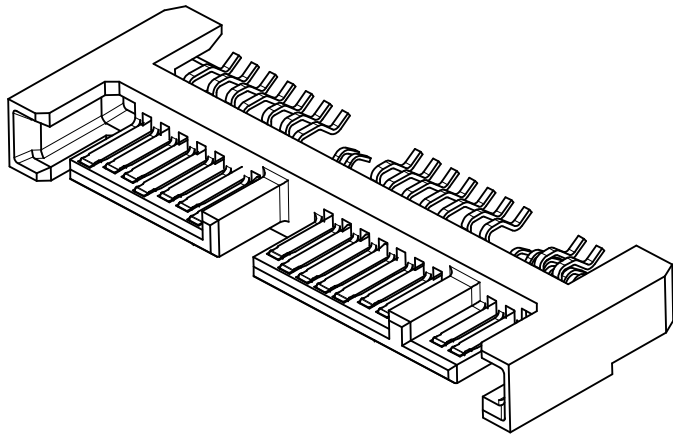
Current - Maximum per Contact	1.5A
Voltage - Maximum	30V

Material Info**Reference - Drawing Numbers**

Packaging Specification	PK-78528-001
Product Specification	PS-78528-001
Sales Drawing	SD-78528-001

This document was generated on 05/17/2010

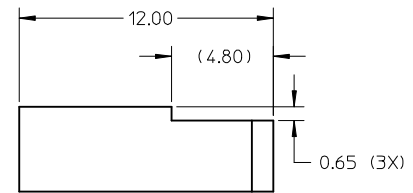
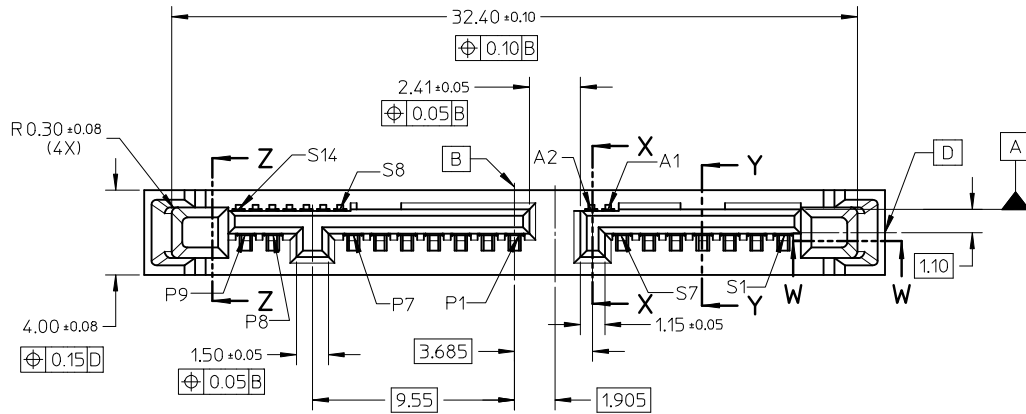
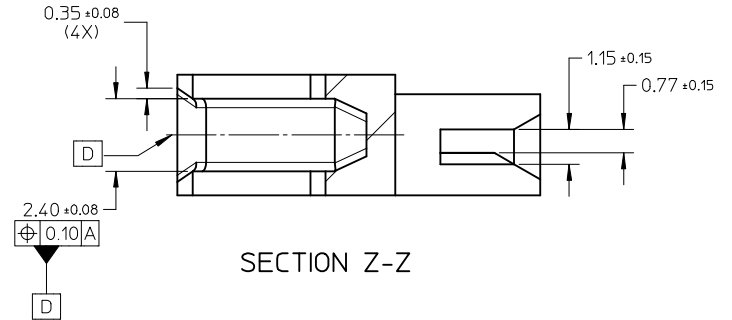
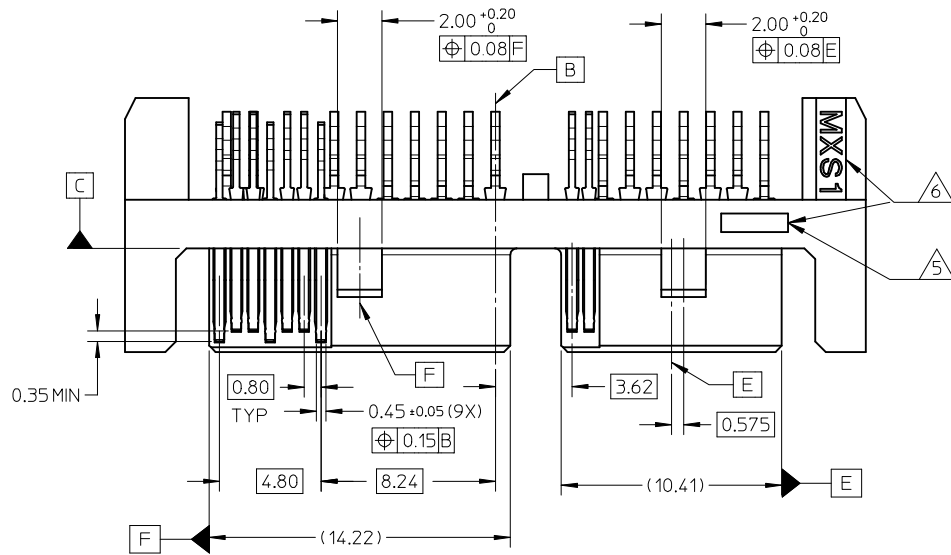
PLEASE CHECK WWW.MOLEX.COM FOR LATEST PART INFORMATION



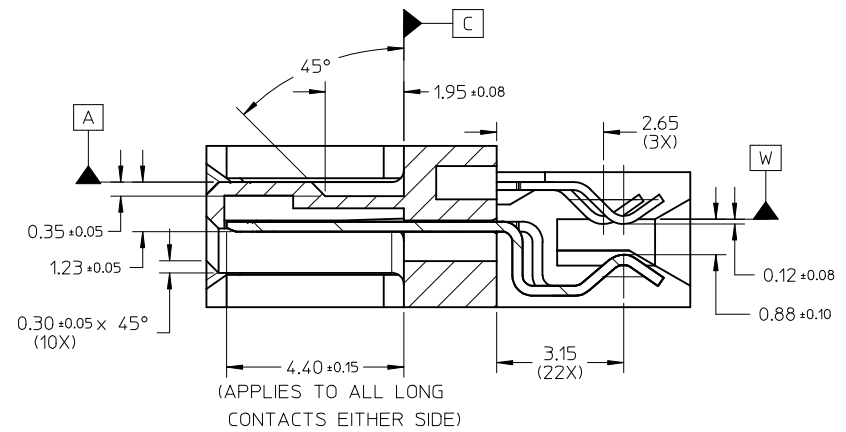
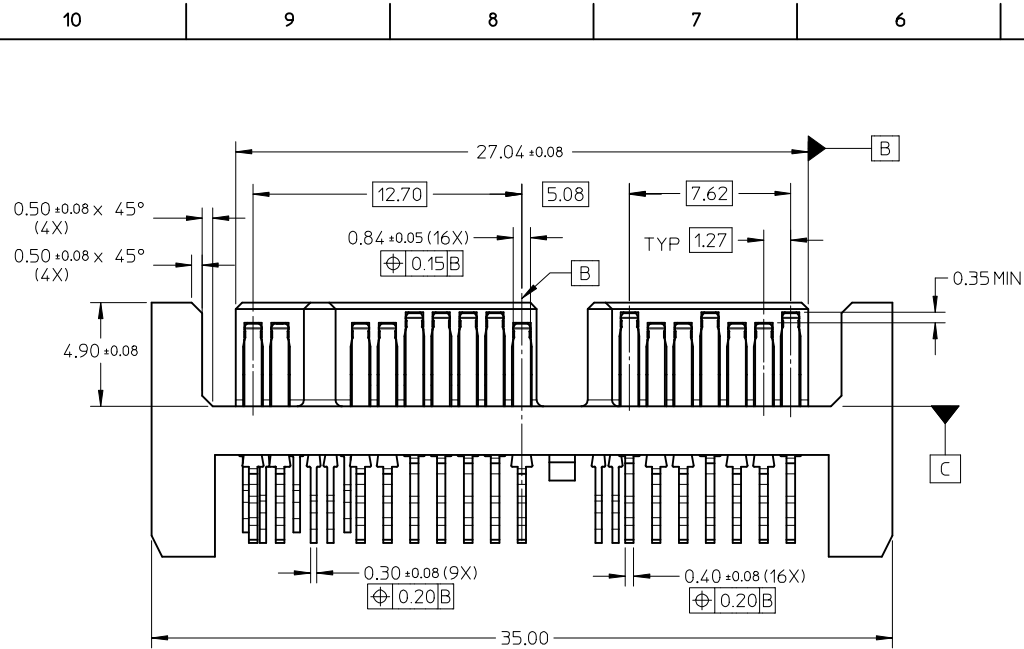
NOTES:

1. MATERIAL:
HOUSING: LCP, GLASS FILLED, UL 94V-0, BLACK
TERMINAL: COPPER ALLOY
2. FINISHES:
CONTACT: 0.76µm MIN GOLD OVER
1.27µm MIN. NICKEL UNDERPLATE
SOLDERTAIL: 1.91µm MIN TIN OVER
1.27µm MIN. NICKEL UNDERPLATE
3. PRODUCT SPECIFICATION: PS-78528-001
4. PACKAGING SPECIFICATION: PK-78528-001
5. DATE CODE FORMAT: YYDD
6. MOLEX LOGO AND DATE CODE LOCATED APPROXIMATELY AS SHOWN
7. MATES WITH: MOLEX MICROSAS & MICROSATA RECEPTACLE
8. THIS PRODUCT IS COMPLIANT TO RoHS DIRECTIVE WITH THE FOLLOWING BANNED SUBSTANCES - LEAD, MERCURY, CADMIUM, HEXAVALENT CHROMIUM, POLYBROMINATED BIPHENYLS AND POLYBROMINATED DIPHENYLS ETHERS
9. NON FUNCTIONAL CORING MAY VARY

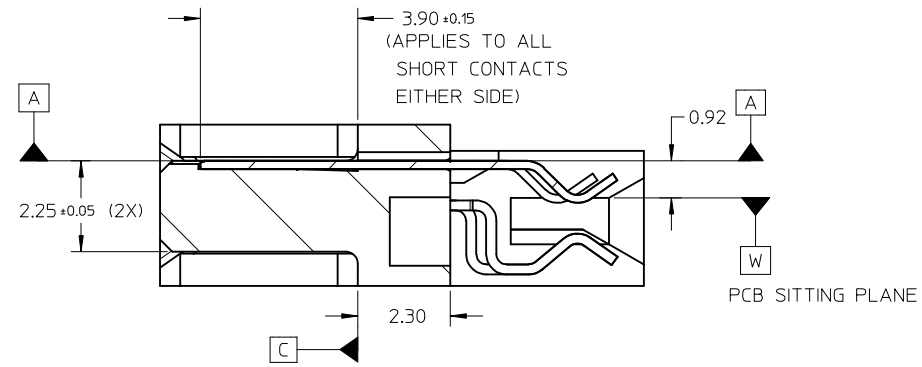
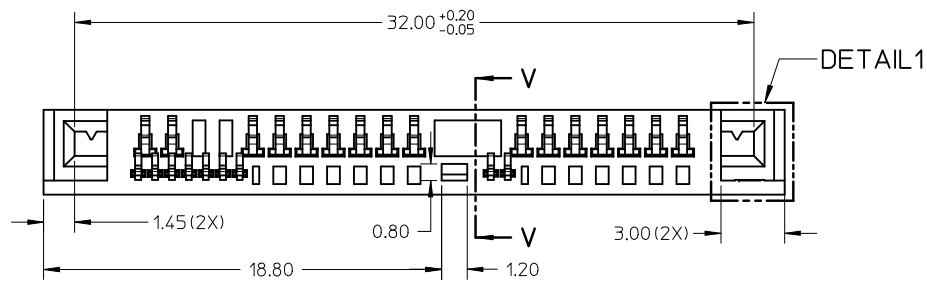
UPDATE VIEWS ON MXS Logo EC NO: S2010-0310 DRWN:GMENARLY 2009/10/23 CHKD:CGOH 2009/10/26 APPR:BOKOK 2009/10/27	QUALITY SYMBOLS	GENERAL TOLERANCES (UNLESS SPECIFIED)	DIMENSION STYLE	SCALE	DESIGN UNITS	THIRD ANGLE PROJECTION
	$F_A=0$ $F_G=0$ $F_P=0$	mm INCH 4 PLACES ± --- ± --- 3 PLACES ± --- ± --- 2 PLACES ± 0.20 ± --- 1 PLACE ± --- ± --- ANGULAR ± 3 °	MM ONLY	NTS	METRIC	
	DESCRIPTION	DRAFT WHERE APPLICABLE MUST REMAIN WITHIN DIMENSIONS	DRAWN BY	DATE	TITLE	
	REV		GMENARLY	2009/07/16	MICROSAS PLUG R/A, STRADDLE MOUNT VELA	
A1		CHECKED BY	DATE	MOLEX INCORPORATED		
		CGOH	2009/09/03	SD-78528-001		SHEET NO. 1 OF 6
		APPROVED BY	DATE	THIS DRAWING CONTAINS INFORMATION THAT IS PROPRIETARY TO MOLEX INCORPORATED AND SHOULD NOT BE USED WITHOUT WRITTEN PERMISSION		
		BOKOK	2009/09/03			
		MATERIAL NO.	78528-0001			
		DOCUMENT NO.				



UPDATE VIEWS ON EC NO: S2010-0310 DRWING: GMENARLY 2009/10/23 CHK'D: CGOH 2009/10/26 APPR: BOKOK 2009/10/27	DESCRIPTION A1	QUALITY SYMBOLS $\nabla_A = 0$ $\nabla_C = 0$ $\nabla_P = 0$	GENERAL TOLERANCES (UNLESS SPECIFIED)		DIMENSION STYLE MM ONLY		SCALE NTS	DESIGN UNITS METRIC	THIRD ANGLE PROJECTION		
			4 PLACES ± --- ± ---	mm INCH	DRAWN BY GMENARLY	DATE 2009/07/16	TITLE MICRO SAS PLUG R/A, STRADDLE MOUNT VELA				
			3 PLACES ± --- ± ---		CHECKED BY CGOH	DATE 2009/09/03	MOLEX INCORPORATED				
			2 PLACES ± 0.20 ± --- 1 PLACE ± --- ± ---		APPROVED BY BOKOK		DATE 2009/09/03	MATERIAL NO. 78528-0001	DOCUMENT NO. SD-78528-001	SHEET NO. 2 OF 6	
DRAFT WHERE APPLICABLE MUST REMAIN WITHIN DIMENSIONS			THIS DRAWING CONTAINS INFORMATION THAT IS PROPRIETARY TO MOLEX INCORPORATED AND SHOULD NOT BE USED WITHOUT WRITTEN PERMISSION								

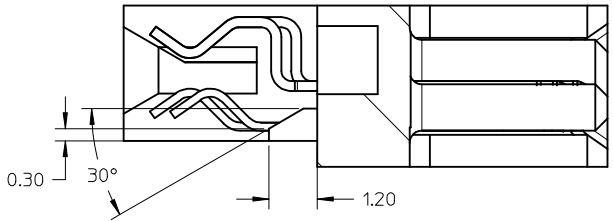


SECTION Y-Y

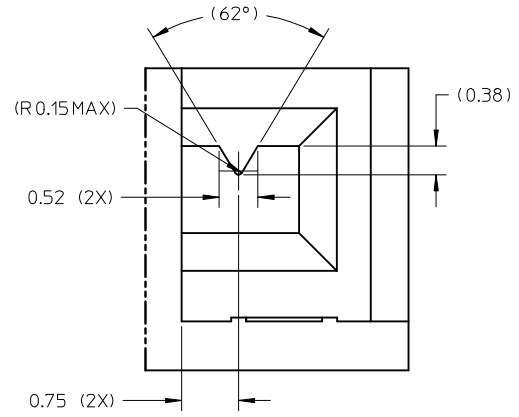


SECTION X-X

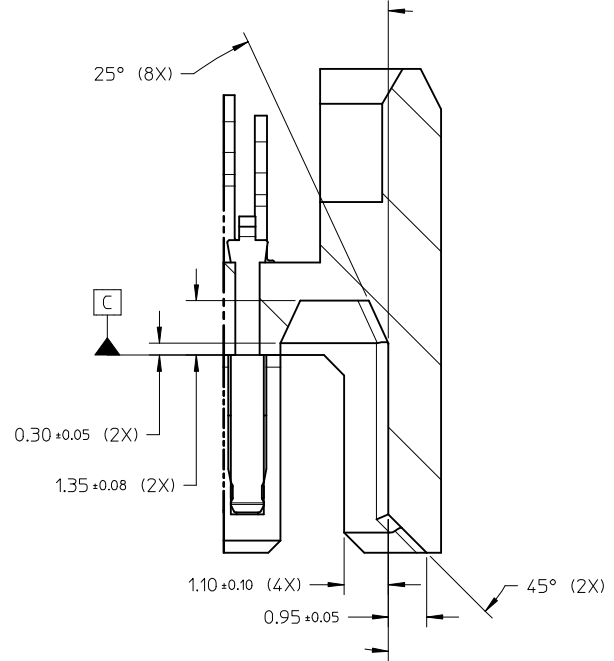
UPDATE VIEWS ON MXS Logo EC NO: S2010-0310 DRWN:GMENARLY 2009/10/23 CHKD:CGOH 2009/10/26 APPR:BOKOK 2009/10/27	QUALITY SYMBOLS	GENERAL TOLERANCES (UNLESS SPECIFIED)	DIMENSION STYLE	SCALE	DESIGN UNITS	THIRD ANGLE PROJECTION																					
	$F_A=0$ $F_G=0$ $F_P=0$	<table border="1"> <thead> <tr> <th></th> <th>mm</th> <th>INCH</th> </tr> </thead> <tbody> <tr> <td>4 PLACES</td> <td>± ---</td> <td>± ---</td> </tr> <tr> <td>3 PLACES</td> <td>± ---</td> <td>± ---</td> </tr> <tr> <td>2 PLACES</td> <td>± 0.20</td> <td>± ---</td> </tr> <tr> <td>1 PLACE</td> <td>± ---</td> <td>± ---</td> </tr> </tbody> </table>		mm	INCH	4 PLACES	± ---	± ---	3 PLACES	± ---	± ---	2 PLACES	± 0.20	± ---	1 PLACE	± ---	± ---	MM ONLY	NTS	METRIC							
		mm	INCH																								
	4 PLACES	± ---	± ---																								
3 PLACES	± ---	± ---																									
2 PLACES	± 0.20	± ---																									
1 PLACE	± ---	± ---																									
DESCRIPTION	<table border="1"> <thead> <tr> <th></th> <th>mm</th> <th>INCH</th> </tr> </thead> <tbody> <tr> <td>ANGULAR</td> <td>± 3 °</td> <td></td> </tr> </tbody> </table>		mm	INCH	ANGULAR	± 3 °		<table border="1"> <thead> <tr> <th>DRAWN BY</th> <th>DATE</th> <th>TITLE</th> </tr> </thead> <tbody> <tr> <td>GMENARLY</td> <td>2009/07/16</td> <td rowspan="4"> MICRO SAS PLUG R/A, STRADDLE MOUNT VELA MOLEX INCORPORATED </td> </tr> <tr> <td>CHECKED BY</td> <td>DATE</td> </tr> <tr> <td>APPROVED BY</td> <td>DATE</td> </tr> <tr> <td>BOKOK</td> <td>2009/09/03</td> </tr> </tbody> </table>	DRAWN BY	DATE	TITLE	GMENARLY	2009/07/16	MICRO SAS PLUG R/A, STRADDLE MOUNT VELA MOLEX INCORPORATED	CHECKED BY	DATE	APPROVED BY	DATE	BOKOK	2009/09/03	<table border="1"> <thead> <tr> <th>MATERIAL NO.</th> <th>DOCUMENT NO.</th> <th>SHEET NO.</th> </tr> </thead> <tbody> <tr> <td>78528-0001</td> <td>SD-78528-001</td> <td>3 OF 6</td> </tr> </tbody> </table>	MATERIAL NO.	DOCUMENT NO.	SHEET NO.	78528-0001	SD-78528-001	3 OF 6
	mm	INCH																									
ANGULAR	± 3 °																										
DRAWN BY	DATE	TITLE																									
GMENARLY	2009/07/16	MICRO SAS PLUG R/A, STRADDLE MOUNT VELA MOLEX INCORPORATED																									
CHECKED BY	DATE																										
APPROVED BY	DATE																										
BOKOK	2009/09/03																										
MATERIAL NO.	DOCUMENT NO.	SHEET NO.																									
78528-0001	SD-78528-001	3 OF 6																									
REV	DRAFT WHERE APPLICABLE MUST REMAIN WITHIN DIMENSIONS	SIZE	THIS DRAWING CONTAINS INFORMATION THAT IS PROPRIETARY TO MOLEX INCORPORATED AND SHOULD NOT BE USED WITHOUT WRITTEN PERMISSION																								
A1		A3																									



SECTION V-V

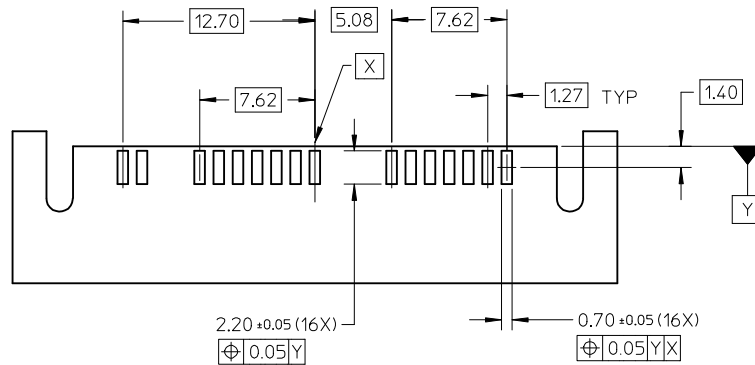
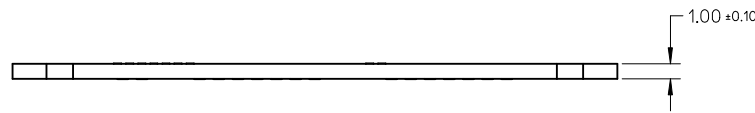
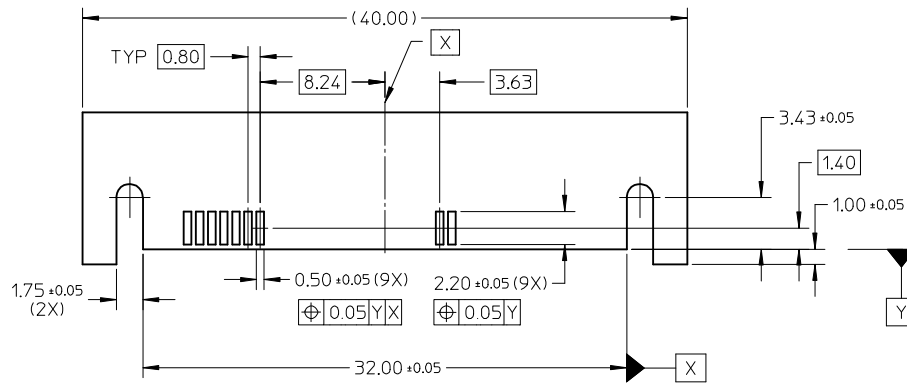


DETAIL1



SECTION W-W
PARTIAL1

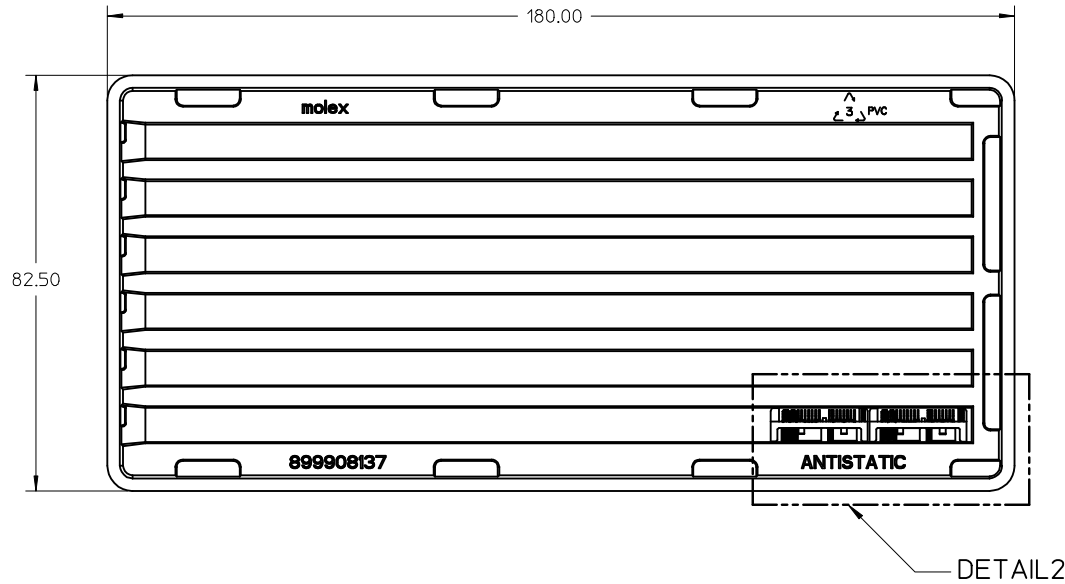
UPDATE VIEWS ON MXS Logo EC NO: S2010-0310 DRWN:GMENARLY 2009/10/23 CHKD:CGOH 2009/10/26 APPR:BOKOK 2009/10/27	QUALITY SYMBOLS	GENERAL TOLERANCES (UNLESS SPECIFIED)		DIMENSION STYLE MM ONLY		SCALE NTS	DESIGN UNITS METRIC	THIRD ANGLE PROJECTION																	
	$\nabla_A = 0$ $\nabla_C = 0$ $\nabla_P = 0$	<table border="1"> <thead> <tr> <th></th> <th>mm</th> <th>INCH</th> </tr> </thead> <tbody> <tr> <td>4 PLACES</td> <td>± ---</td> <td>± ---</td> </tr> <tr> <td>3 PLACES</td> <td>± ---</td> <td>± ---</td> </tr> <tr> <td>2 PLACES</td> <td>± 0.20</td> <td>± ---</td> </tr> <tr> <td>1 PLACE</td> <td>± ---</td> <td>± ---</td> </tr> </tbody> </table>		mm	INCH	4 PLACES	± ---	± ---	3 PLACES	± ---	± ---	2 PLACES	± 0.20	± ---	1 PLACE	± ---	± ---	DRAWN BY: GMENARLY DATE: 2009/07/16 CHECKED BY: CGOH DATE: 2009/09/03 APPROVED BY: BOKOK DATE: 2009/09/03		TITLE		MICROSAS PLUG R/A, STRADDLE MOUNT VELA MOLEX INCORPORATED			
		mm	INCH																						
	4 PLACES	± ---	± ---																						
3 PLACES	± ---	± ---																							
2 PLACES	± 0.20	± ---																							
1 PLACE	± ---	± ---																							
ANGULAR ± 3 °		MATERIAL NO. 78528-0001		DOCUMENT NO. SD-78528-001		SHEET NO. 4 OF 6																			
A1	DESCRIPTION	DRAFT WHERE APPLICABLE MUST REMAIN WITHIN DIMENSIONS		SIZE A3		THIS DRAWING CONTAINS INFORMATION THAT IS PROPRIETARY TO MOLEX INCORPORATED AND SHOULD NOT BE USED WITHOUT WRITTEN PERMISSION																			



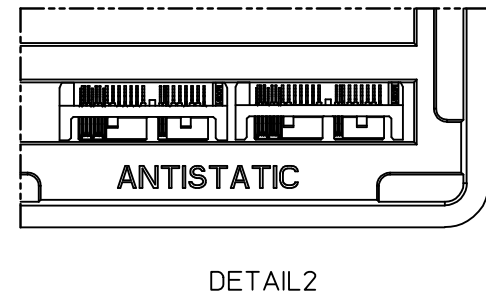
RECOMMENDED PCB LAYOUT

UPDATE VIEWS ON MXS Logo EC NO: S2010-0310 DRWN:GMENARLY 2009/10/23 CHYKD:CGOH 2009/10/26 APPR:BOKOK 2009/10/27	QUALITY SYMBOLS	GENERAL TOLERANCES (UNLESS SPECIFIED)		DIMENSION STYLE MM ONLY		SCALE NTS	DESIGN UNITS METRIC	THIRD ANGLE PROJECTION	
	$F_A=0$	mm	INCH	DRAWN BY	DATE	TITLE			
	$F_C=0$	4 PLACES ± ---	± ---	GMENARLY	2009/07/16	MICROSAS PLUG R/A, STRADDLE MOUNT VELA			
	$F_P=0$	3 PLACES ± ---	± ---	CHECKED BY	DATE				
	2 PLACES ± 0.20	± ---	CGOH	2009/09/03	MOLEX INCORPORATED				
	1 PLACE ± ---	± ---	APPROVED BY	DATE					
		ANGULAR ± 3 °		BOKOK	2009/09/03	MATERIAL NO.		DOCUMENT NO.	
		DRAFT WHERE APPLICABLE MUST REMAIN WITHIN DIMENSIONS		78528-0001		SD-78528-001		SHEET NO.	
A1	REV			SIZE	THIS DRAWING CONTAINS INFORMATION THAT IS PROPRIETARY TO MOLEX INCORPORATED AND SHOULD NOT BE USED WITHOUT WRITTEN PERMISSION				
				A3					

PACKAGING INFORMATION



PART ORIENTATION IN TRAY



- NOTES:
 1. MATERIAL : PVC - CLEAR, ANTISTATIC
 2. QTY PER TRAY : 54PCS

UPDATE VIEWS ON MXS Logo EC NO: S2010-0310 DRWN:GMENARLY 2009/10/23 CHYKD:CGOH 2009/10/26 APPR:BOKOK 2009/10/27	QUALITY SYMBOLS	GENERAL TOLERANCES (UNLESS SPECIFIED)		DIMENSION STYLE MM ONLY		SCALE NTS	DESIGN UNITS METRIC	THIRD ANGLE PROJECTION
	$F_A=0$	mm	INCH	DRAWN BY	DATE	TITLE		
	$F_C=0$	4 PLACES ± ---	± ---	GMENARLY	2009/07/16	MICROSAS PLUG R/A, STRADDLE MOUNT VELA		
	$F_P=0$	3 PLACES ± ---	± ---	CHECKED BY	DATE			
	2 PLACES ± 0.20	± ---	CGOH	2009/09/03	MOLEX INCORPORATED			
	1 PLACE ± ---	± ---	APPROVED BY	DATE				
		ANGULAR ± 3 °		BOKOK	2009/09/03	MATERIAL NO.	DOCUMENT NO.	SHEET NO.
		DRAFT WHERE APPLICABLE MUST REMAIN WITHIN DIMENSIONS		78528-0001		SD-78528-001	6 OF 6	
A1	REV			SIZE A3	THIS DRAWING CONTAINS INFORMATION THAT IS PROPRIETARY TO MOLEX INCORPORATED AND SHOULD NOT BE USED WITHOUT WRITTEN PERMISSION			