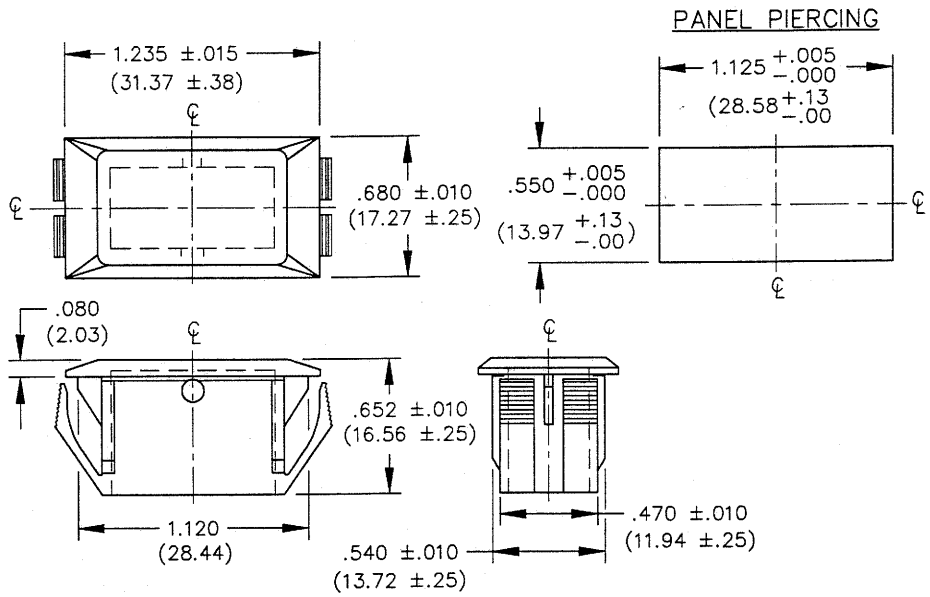


DIMENSIONS IN INCHES (MILLIMETERS)
DO NOT SCALE DRAWING

Dwg. No.
GIL-2000-2010



FORM-B4
REVISIONS
RELEASED: DGW 8-16-2000
0
AUG 17 2000

CW INDUSTRIES
Southampton, Pa. 18966

TOLERANCES UNLESS OTHERWISE SPECIFIED

2 Place Decimal $\pm .010$	METRIC
3 Place Decimal $\pm .005$	1 Place Dec. $\pm .25$ mm
Angles $\pm 1'$	2 Place Dec. $\pm .13$ mm

Made for: CW IND.
 Drawn by: DGW 8-16-2000
 Checked by: G. Gold 8-16-00
 Approval: *[Signature]* 8-16-00

Title: UNIBODY HOUSING BLANK ASSEMBLY
 Division: SWITCH
 Dwg. No. GIL-2000-2010