

PLEASE CHECK WWW.MOLEX.COM FOR LATEST PART INFORMATION

Part Number: [0022057158](#)
Status: **Active**
Overview: [kk](#)
Description: 2.54mm (.100") Pitch KK® Wire-to-Board Header, Right Angle, with Friction Lock, 15 Circuits

Documents:

[3D Model](#) [Product Specification PS-99020-0088 \(PDF\)](#)
[Drawing \(PDF\)](#) [RoHS Certificate of Compliance \(PDF\)](#)
[Product Specification PS-10-07 \(PDF\)](#)

Agency Certification

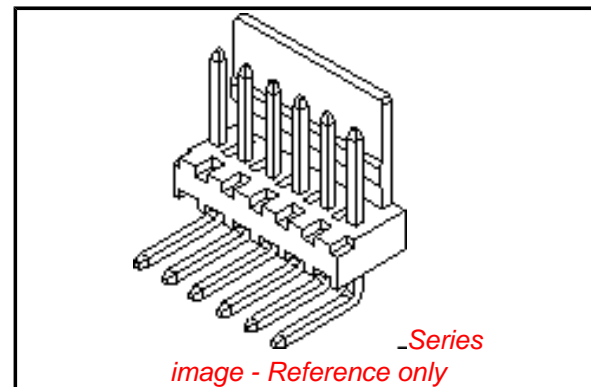
CSA LR19980
 UL E29179

General

Product Family PCB Headers
 Series [7395](#)
 Application Wire-to-Board
 Overview [kk](#)
 Product Name KK®

Physical

Breakaway No
 Circuits (Loaded) 15
 Circuits (maximum) 15
 Color - Resin Natural (White)
 Durability (mating cycles max) 25
 First Mate / Last Break No
 Flammability 94V-0
 Glow-Wire Compliant No
 Guide to Mating Part No
 Keying to Mating Part None
 Lock to Mating Part Yes
 Material - Metal Brass
 Material - Plating Mating Tin
 Material - Plating Termination Tin
 Material - Resin Nylon
 Number of Rows 1
 Orientation Right Angle
 PC Tail Length (in) 0.150 In
 PC Tail Length (mm) 3.80 mm
 PCB Locator No
 PCB Retention None
 Packaging Type Bag
 Pitch - Mating Interface (in) 0.100 In
 Pitch - Mating Interface (mm) 2.54 mm
 Pitch - Term. Interface (in) 0.100 In
 Pitch - Term. Interface (mm) 2.54 mm
 Plating min: Mating (µin) 200
 Plating min: Mating (µm) 5
 Plating min: Termination (µin) 200
 Plating min: Termination (µm) 5
 Polarized to Mating Part Yes
 Polarized to PCB No
 Shrouded No



EU RoHS

ELV and RoHS Compliant
REACH SVHC
 Not Reviewed
Halogen-Free Status
Not Reviewed

China RoHS



Need more information on product environmental compliance?

Email productcompliance@molex.com
 For a multiple part number RoHS Certificate of Compliance, [click here](#)

Please visit the [Contact Us](#) section for any non-product compliance questions.

Search Parts in this Series

[7395Series](#)

Mates With

[2695](#) KK® Crimp Terminal Housing. [6471](#) KK® Crimp Terminal Housing. [7720](#) KK® IDT Double Cantilever

Stackable	No
Surface Mount Compatible (SMC)	No
Temperature Range - Operating	-40°C to +105°C
Termination Interface: Style	Through Hole

Electrical

Current - Maximum per Contact	4A
Voltage - Maximum	250V

Solder Process Data

Lead-free Process Capability	Wave Capable (TH only)
------------------------------	------------------------

Material Info

Old Part Number	739515B
-----------------	---------

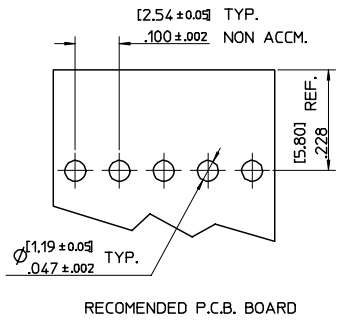
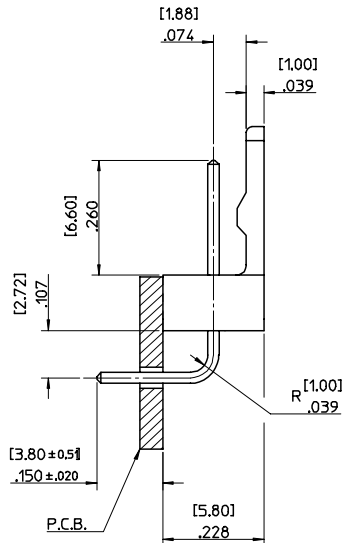
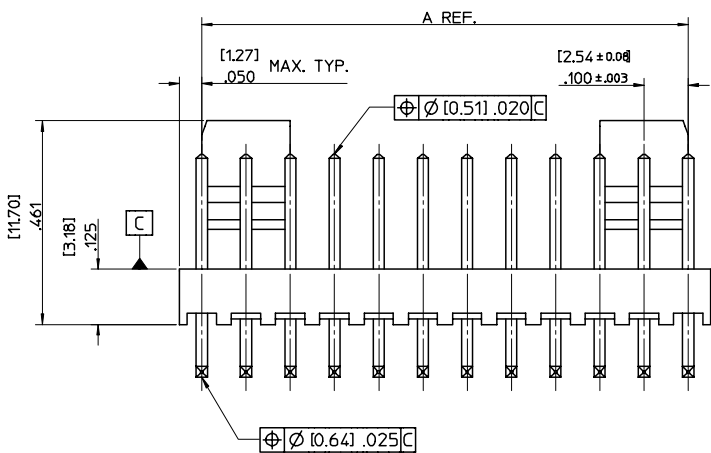
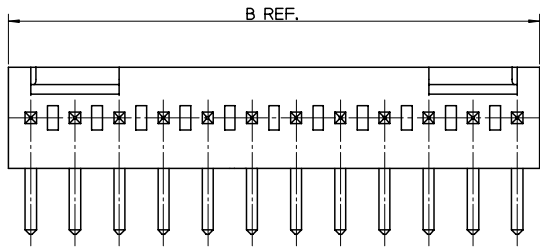
Reference - Drawing Numbers

Packaging Specification	PK-7478-001
Product Specification	PS-10-07, PS-99020-0088
Sales Drawing	SD-7395-001

This document was generated on 05/24/2010

PLEASE CHECK WWW.MOLEX.COM FOR LATEST PART INFORMATION

13 12 11 10 9 8 7 6 5 4 3 2 1



AE-7395-N B

NO. OF CCTS.

WAFER ASSY. OPTION

PLATING TYPE
BLANK: TIN
G: GOLD

RECOMMENDED P.C.B. BOARD

PIN FINISH:
[0.005]/0.0002 MIN. TIN
OVER
[0.003]/0.0001 MIN. COPPER

PIN FINISH:
[0.0005]/0.00002 MIN. GOLD
OVER
[0.0008]/0.00003 MIN. NICKEL

NO. OF CCTS	DIM. A	DIM. B	ENG. NO.	PART NO.
2	2.54/100	5.08/200	AE-7395-2B	22-05-7028
3	5.08/200	7.62/300	AE-7395-3B	22-05-7038
4	7.62/300	10.16/400	AE-7395-4B	22-05-7048
5	10.16/400	12.70/500	AE-7395-5B	22-05-7058
6	12.70/500	15.24/600	AE-7395-6B	22-05-7068
7	15.24/600	17.78/700	AE-7395-7B	22-05-7078
8	17.78/700	20.32/800	AE-7395-8B	22-05-7088
9	20.32/800	22.86/900	AE-7395-9B	22-05-7098
10	22.86/900	25.40/1000	AE-7395-10B	22-05-7108
11	25.40/1000	27.94/1100	AE-7395-11B	22-05-7118
12	27.94/1100	30.48/1200	AE-7395-12B	22-05-7128
13	30.48/1200	33.02/1300	AE-7395-13B	22-05-7138
14	33.02/1300	35.56/1400	AE-7395-14B	22-05-7148
15	35.56/1400	38.10/1500	AE-7395-15B	22-05-7158
16	38.10/1500	40.64/1600	AE-7395-16B	22-05-7168
17	40.64/1600	43.18/1700	AE-7395-17B	22-05-7178
18	43.18/1700	45.72/1800	AE-7395-18B	22-05-7188
19	45.72/1800	48.26/1900	AE-7395-19B	22-05-7198
20	48.26/1900	50.80/2000	AE-7395-20B	22-05-7208

ENG. NO.	PART NO.
AE-7395-2BG	22-12-4022
AE-7395-3BG	22-12-4032
AE-7395-4BG	22-12-4042
AE-7395-5BG	22-12-4052
AE-7395-6BG	22-12-4062
AE-7395-7BG	22-12-4072
AE-7395-8BG	22-12-4082
AE-7395-9BG	22-12-4092
AE-7395-10BG	22-12-4102
AE-7395-11BG	22-12-4112
AE-7395-12BG	22-12-4122
AE-7395-13BG	22-12-4132
AE-7395-14BG	22-12-4142
AE-7395-15BG	22-12-4152
AE-7395-16BG	22-12-4162
AE-7395-17BG	22-12-4172
AE-7395-18BG	22-12-4182
AE-7395-19BG	22-12-4192
AE-7395-20BG	22-12-4202

NOTES:-

- MATERIALS:
WAFER: NYLON 6/6, UL 94, V-0, NATURAL COLOUR
PIN: [0.64]/0.25 SQUARE HARD DRAWN BRASS
FINISH: SEE CHART
- PIN SOLDERABILITY PER MOLEX SPECIFICATION NUMBER 152
- PIN PUSH OUT FORCE [0.907 KG]/2.0 LBS MIN.
- PARTS TO BE FLAT WITHIN [0.13]/0.005 IN/IN
- WAFERS STACKABLE END TO END

ORIGINAL RELEASE EC NO. E2005-1071 DRAWN: JDENNEHY 2005/06/20 CHKD: GMCWEENEY 2005/06/20 APPR: JDENNEHY 2005/07/07	QUALITY SYMBOLS ▽=0 ▽=0	GENERAL TOLERANCES (UNLESS SPECIFIED) mm INCH 4 PLACES ± --- ± --- 3 PLACES ± --- ± .010 2 PLACES ± 0.25 ± .015 1 PLACE ± 0.38 ± --- ANGULAR ± 2 °	DIMENSION STYLE MM ONLY DRAWN BY DATE JDENNEHY 2005/05/13 CHECKED BY DATE GMCWEENEY 2005/05/27 APPROVED BY DATE JDENNEHY 2005/05/27	SCALE 5:1	DESIGN UNITS METRIC	THIRD ANGLE PROJECTION
--	-------------------------------	--	--	--------------	------------------------	------------------------

DRAFT WHERE APPLICABLE
MUST REMAIN
WITHIN DIMENSIONS

SEE CHART

TITLE
WAFER, R/A FRICTION LOCK
(2.54)/.100 CENTERS
(0.64)/.025 SQ. PIN

MATERIAL NO. DOCUMENT NO. SHEET NO.
SD-7395-001 1 OF 1

MOLEX INCORPORATED

THIS DRAWING CONTAINS INFORMATION THAT IS PROPRIETARY TO MOLEX INCORPORATED AND SHOULD NOT BE USED WITHOUT WRITTEN PERMISSION

12 11 10 9 8 7 6 5 4 3 2 1