

PLEASE CHECK WWW.MOLEX.COM FOR LATEST PART INFORMATION

Part Number: [0366630001](#)
Status: **Active**
Overview: [mlx](#)
Description: MLX Double Crimp Terminal, 10-12 AWG, Reel, Tin (Sn)

Documents:

[Drawing \(PDF\)](#) [RoHS Certificate of Compliance \(PDF\)](#)
[Product Specification PS-36663-001 \(PDF\)](#)

General

Product Family	Crimp Terminals
Series	36663
Crimp Quality Equipment	Yes
Overview	mlx
Product Name	MLX™

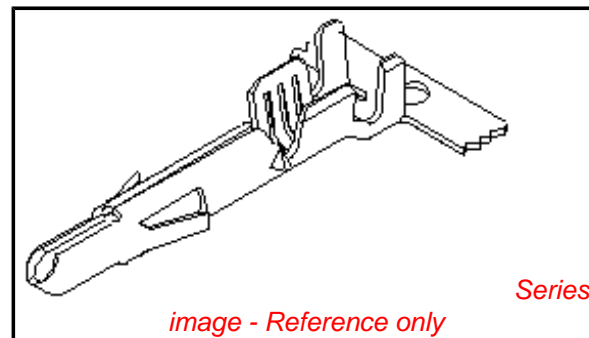
Physical

Gender	Male
Material - Metal	Brass
Material - Plating Mating	Tin
Material - Plating Termination	Tin
Packaging Type	Reel
Plating min: Mating (µin)	20
Plating min: Mating (µm)	0.50
Plating min: Termination (µin)	20
Plating min: Termination (µm)	0.50
Termination Interface: Style	Crimp or Compression
Wire Insulation Diameter	5.08mm (.200") max.
Wire Size AWG	10, 12
Wire Size mm²	3.30, 5.25

Material Info

Reference - Drawing Numbers

Product Specification	PS-36663-001
Sales Drawing	SD-36663-001



EU RoHS

**ELV and RoHS
Compliant
REACH SVHC
Contains SVHC: No**

**Halogen-Free
Status**

Halogen-Free

**Need more information on product
environmental compliance?**

Email productcompliance@molex.com
 For a multiple part number RoHS Certificate of
 Compliance, [click here](#)

Please visit the [Contact Us](#) section for any
 non-product compliance questions.

China RoHS



Search Parts in this Series

[36663Series](#)

Use With

[42021 Plug](#), [42022 Receptacle](#)

Application Tooling | FAQ

*Tooling specifications and manuals are
 found by selecting the products below.
 Crimp Height Specifications are then
 contained in the Application Tooling
 Specification document.*

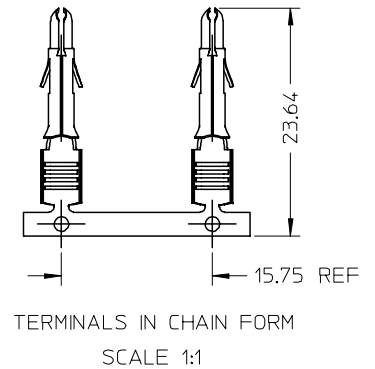
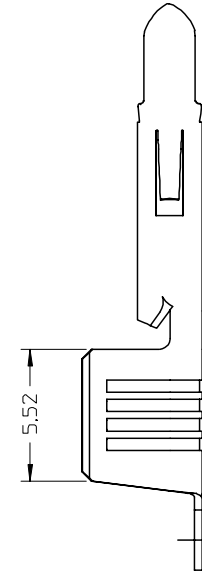
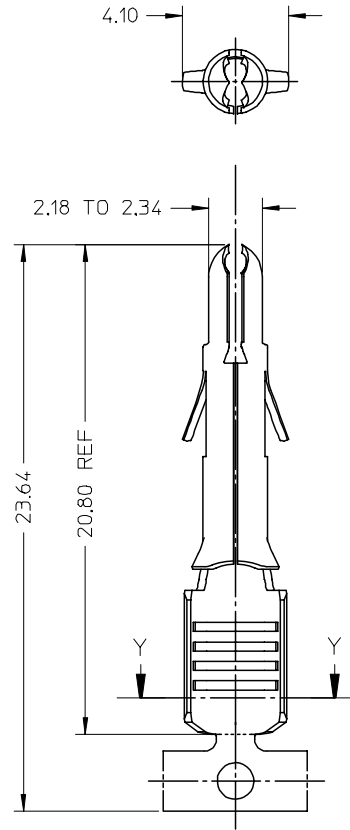
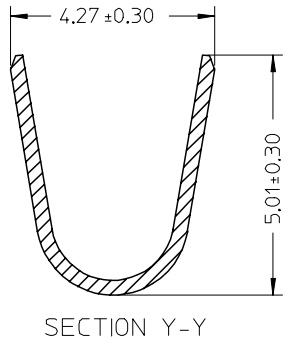
Global

Description	Product #
Hand Crimp Tool	0638114700
Mini-Mac™	0638325200
Applicator	
T2 Terminator Die	0638584000

36663

MATERIAL No.	FINISH	WIRE SIZE	INSULATION DIA	PACKAGING
36663-0001	SEE NOTE 2	10-12AWG	5.08 MAX	REEL
36663-0002	SEE NOTE 2	10-12AWG	5.08 MAX	LOOSE

- NOTES:
1. MATERIAL : BRASS
 2. FINISH : HOT TIN DIP, THICKNESS 0.51 MICROMETER MIN
 3. PIN TERMINALS FOR USE WITH THE .084/(2.13) SERIES HOUSINGS.
 PLUG (42021-**)
 CAP (42022-**)
 PIN TERMINAL TO MATE WITH SOCKET TERMINALS OF .084/(2.13) DIA SERIES
 4. CRIMP RANGE SEE CHART
 5. PRODUCT SPECIFICATION : PS-36663-001 APPLIES



EC NO: 12005-0004 DRWN: SSUDHIR 2004/07/07 CHKD: DGDATHA 2004/07/07 APPR: DGDATHA 2004/07/08	QUALITY SYMBOLS ▽ = 0 ◁ = 0	GENERAL TOLERANCES (UNLESS SPECIFIED)		SCALE 5:1	DESIGN UNITS METRIC	THIRD ANGLE PROJECTION	REVISE ON CAD ONLY
		4 PLACES ± --- ± --- 3 PLACES ± --- ± --- 2 PLACES ± 0.25 ± --- 1 PLACE ± 0.38 ± ---	DIMENSION STYLE MM ONLY	TITLE STAMP PART BRASS TERMINAL SPLIT PIN MLX 10-12AWG 5.08 INS DIA			
		ANGULAR ± 2 ° DRAFT WHERE APPLICABLE MUST REMAIN WITHIN DIMENSIONS	DRAWN BY SSUDHIR	DATE 2004/07/01	MOLEX INCORPORATED		
		1 REV	CHECKED BY DGDATHA	DATE 2004/07/01	MATERIAL NO. SEE CHART	DOCUMENT NO. SD-36663-001	SHEET NO. 1 OF 1

THIS DRAWING CONTAINS INFORMATION THAT IS PROPRIETARY TO MOLEX INCORPORATED AND SHOULD NOT BE USED WITHOUT WRITTEN PERMISSION