

PLEASE CHECK WWW.MOLEX.COM FOR LATEST PART INFORMATION

Part Number: [0507967112](#)
Status: **Active**
Description: Ring Tongue Terminal for 400MCM AWG, Closed Uninsulated Brazed Barrel, Stud Size 1/2" (M12), Oxygen-Free Copper, Length 78.00mm (3.071")

Documents:

[Drawing \(PDF\)](#) [RoHS Certificate of Compliance \(PDF\)](#)

General

Product Family	Ring and Spade Terminals
Series	50796
Crimp Quality Equipment	Yes
Mil-Spec	N/A
Product Name	R (Ring)
Type	Ring

Physical

Barrel Type	Closed - Brazed
Insulation	None
Material - Plating Mating	Tin
Packaging Type	Bag
Stud Size	1/2" (M12)
Wire Size AWG	400MCM
Wire Size mm ²	250

Material Info

Reference - Drawing Numbers

Sales Drawing	SD-50796-001
---------------	--------------

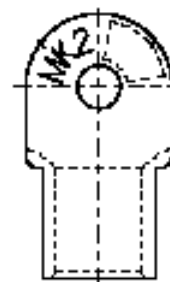


image - Reference only

Series

EU RoHS

ELV and RoHS Compliant

REACH SVHC

Not Reviewed

Halogen-Free

Status

Not Reviewed

China RoHS



Need more information on product environmental compliance?

Email productcompliance@molex.com
 For a multiple part number RoHS Certificate of Compliance, [click here](#)

Please visit the [Contact Us](#) section for any non-product compliance questions.

Search Parts in this Series

50796Series

Application Tooling | FAQ

Tooling specifications and manuals are found by selecting the products below. Crimp Height Specifications are then contained in the Application Tooling Specification document.

Japan

Description	Product #
Tool Kit For	0573439001
57343-9012	

10 9 8 7 6 5 4 3 2 1

F

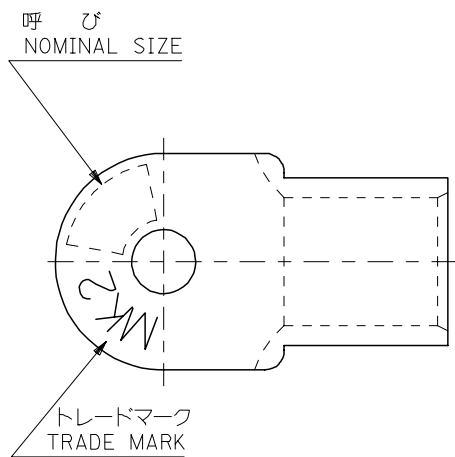
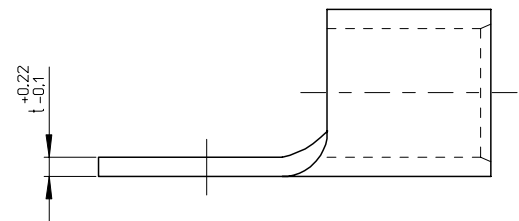
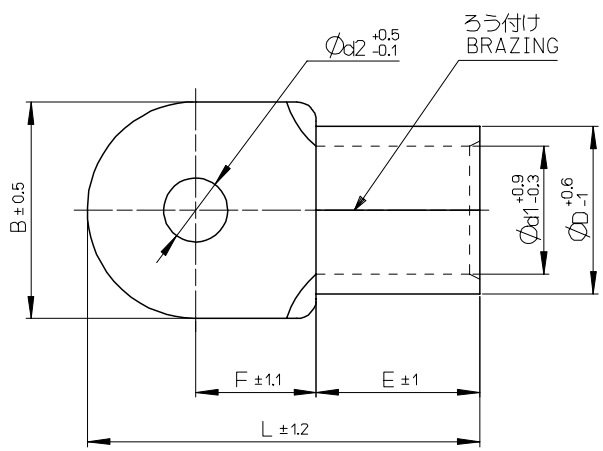
E

D

C

B

A



注記 NOTES

- 1 材質 MATERIAL
 端子：無酸素銅、錫めっき
 TERMINAL: OXYGEN-FREE COPPER, TIN PLATING
 ろう付け部：銀ろう
 PART OF BRAZING : SILVER SOLDER
- 2 適用電線 APPLICABLE WIRE RANGE

単線 SOLID WIRE	撚線 STRANDED WIRE
— —	250 mm ²

4.5	21	79.7	27.5	33.2	26	35.6	44	250	20	50796-7412
	17		16						50796-7312	
	15		14						50796-7212	
	13		12						50796-7112	
	10.5		10						50796-7012	
t	Ød2	L	F	E	Ød1	ØD	B	呼 び ノ ミ ナ ル 大 小	呼 び ノ ミ ナ ル 大 小	ENG. NO.

RELEASED EC NO: J2007-0312 DR: N. H. YAJIMA 2007/05/17 CHK: K. KASAHARA 2007/05/18 APPR: N. UKITA 2007/05/18	GENERAL TOLERANCES (UNLESS SPECIFIED)	DIMENSION STYLE MM ONLY	SCALE ---	DESIGN UNITS METRIC	THIRD ANGLE PROJECTION	
	10 UNDER ± ---	DRAWN BY H. YAJIMA	DATE '06/08/22	RING TERMINAL		
	10 OVER 30 UNDER ± ---	CHECKED BY K. KASAHARA	DATE '06/08/22			
	30 OVER ± ---	APPROVED BY N. UKITA	DATE '06/08/22	MOLEX INCORPORATED		
	ANGULAR ± --- °	MATERIAL NO.	DOCUMENT NO.	SHEET NO.		
DRAFT WHERE APPLICABLE MUST REMAIN WITHIN DIMENSIONS	SIZE A3	SEE CHART	SD-50796-001	1 OF 1		