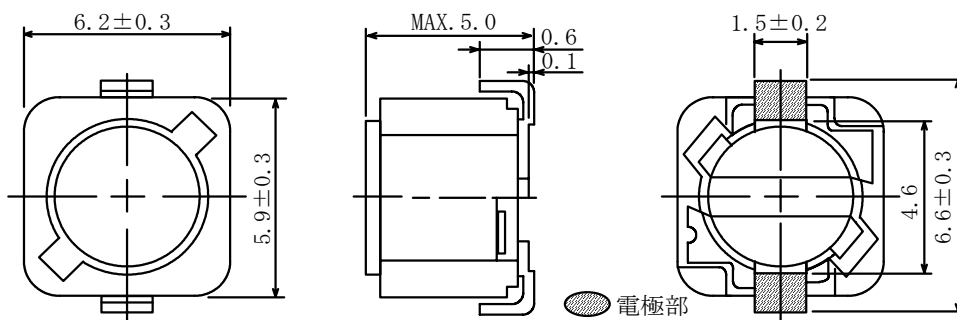


# 仕様書

形名  
CDRH64B

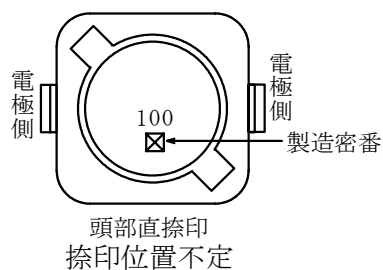
## 1. 外形

### 1-1. 寸法図(mm)

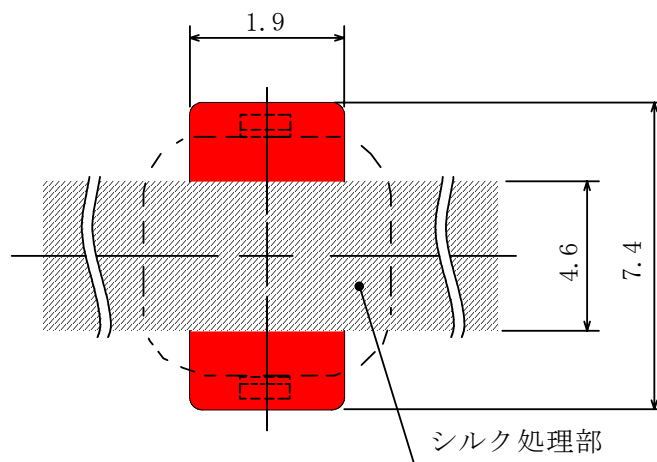


\* 公差のない寸法は参考値とする。

### 1-2. 捺印表示例

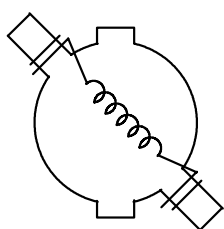


### 1-3. 推奨ランド図(mm)



## 2. コイル仕様

### 2-1. 端子接続図(裏面図)



電極（端子）間の隙間はシルク処理をして御使用下さい。

RoHS  
compliance  
Cd:Max. 0.01wt%  
others:Max. 0.1wt%



# 仕様書

|               |
|---------------|
| 形名<br>CDRH64B |
|---------------|

## 2-2. 電気的特性 I (リール梱包の場合)

| NO. | 品名              | 表示  | インダクタンス<br>[以内]<br>※1 | D. C. R.<br>( $\Omega$ ) [以下]<br>(at 20°C) ※2 | 定格電流<br>(A)<br>※3 | スミダ<br>コード |
|-----|-----------------|-----|-----------------------|---|-------------------|------------|
| 01  | CDRH64BNP-100MC | 100 | 10 $\mu$ H $\pm$ 20%  | 0.12 (88m)                                    | 1.35              | 4745-0145  |
| 02  | CDRH64BNP-120MC | 120 | 12 $\mu$ H $\pm$ 20%  | 0.13 (97m)                                    | 1.20              | 4745-0146  |
| 03  | CDRH64BNP-150MC | 150 | 15 $\mu$ H $\pm$ 20%  | 0.18 (0.13)                                   | 1.10              | 4745-0147  |
| 04  | CDRH64BNP-180MC | 180 | 18 $\mu$ H $\pm$ 20%  | 0.24 (0.18)                                   | 1.00              | 4745-0148  |
| 05  | CDRH64BNP-220MC | 220 | 22 $\mu$ H $\pm$ 20%  | 0.27 (0.20)                                   | 0.91              | 4745-0149  |
| 06  | CDRH64BNP-270MC | 270 | 27 $\mu$ H $\pm$ 20%  | 0.30 (0.22)                                   | 0.82              | 4745-0150  |
| 07  | CDRH64BNP-330MC | 330 | 33 $\mu$ H $\pm$ 20%  | 0.33 (0.25)                                   | 0.75              | 4745-0151  |
| 08  | CDRH64BNP-390MC | 390 | 39 $\mu$ H $\pm$ 20%  | 0.37 (0.27)                                   | 0.69              | 4745-0152  |
| 09  | CDRH64BNP-470MC | 470 | 47 $\mu$ H $\pm$ 20%  | 0.52 (0.38)                                   | 0.62              | 4745-0154  |
| 10  | CDRH64BNP-560MC | 560 | 56 $\mu$ H $\pm$ 20%  | 0.56 (0.41)                                   | 0.58              | 4745-0155  |
| 11  | CDRH64BNP-680MC | 680 | 68 $\mu$ H $\pm$ 20%  | 0.63 (0.47)                                   | 0.52              | 4745-0156  |
| 12  | CDRH64BNP-820MC | 820 | 82 $\mu$ H $\pm$ 20%  | 0.71 (0.53)                                   | 0.47              | 4745-0157  |
| 13  | CDRH64BNP-101MC | 101 | 100 $\mu$ H $\pm$ 20% | 1.03 (0.76)                                   | 0.43              | 4745-0158  |
| 14  | CDRH64BNP-121MC | 121 | 120 $\mu$ H $\pm$ 20% | 1.15 (0.85)                                   | 0.39              | 4745-0159  |
| 15  | CDRH64BNP-151MC | 151 | 150 $\mu$ H $\pm$ 20% | 1.68 (1.29)                                   | 0.35              | 4745-0160  |
| 16  | CDRH64BNP-181MC | 181 | 180 $\mu$ H $\pm$ 20% | 1.87 (1.44)                                   | 0.32              | 4745-0161  |
| 17  | CDRH64BNP-221MC | 221 | 220 $\mu$ H $\pm$ 20% | 2.08 (1.60)                                   | 0.29              | 4745-0162  |
| 18  | CDRH64BNP-271MC | 271 | 270 $\mu$ H $\pm$ 20% | 2.37 (1.82)                                   | 0.26              | 4745-0163  |
| 19  | CDRH64BNP-331MC | 331 | 330 $\mu$ H $\pm$ 20% | 2.67 (2.05)                                   | 0.23              | 4745-0165  |
| 20  | CDRH64BNP-391MC | 391 | 390 $\mu$ H $\pm$ 20% | 2.94 (2.26)                                   | 0.22              | 4745-0166  |
| 21  | CDRH64BNP-471MC | 471 | 470 $\mu$ H $\pm$ 20% | 3.93 (3.02)                                   | 0.20              | 4745-0167  |
| 22  | CDRH64BNP-561MC | 561 | 560 $\mu$ H $\pm$ 20% | 5.43 (4.18)                                   | 0.18              | 4745-0168  |
| 23  | CDRH64BNP-681MC | 681 | 680 $\mu$ H $\pm$ 20% | 7.32 (5.63)                                   | 0.17              | 4745-0169  |
| 24  | CDRH64BNP-821MC | 821 | 820 $\mu$ H $\pm$ 20% | 8.24 (6.34)                                   | 0.15              | 4745-0170  |
| 25  | CDRH64BNP-102MC | 102 | 1 mH $\pm$ 20%        | 9.26 (7.13)                                   | 0.14              | 4745-0171  |

※1: 測定周波数 L at 1 kHz

※2: ( )内は、標準値とする。

※3: 定格電流は直流重畳特性に於て、インダクタンスが公称値より-25%となる電流もしくは直流電流を流した時のコイルの発熱が $\Delta t=40^{\circ}\text{C}$ となる電流値の少ない方の値。(Ta=20°Cを基準とする。)

# 仕様書

|               |
|---------------|
| 形名<br>CDRH64B |
|---------------|

## 2-3. 電気的特性Ⅱ (箱梱包の場合)

| NO. | 品名              | 表示  | インダクタンス<br>[以内]<br>※1 | D. C. R.<br>( $\Omega$ ) [以下]<br>(at 20°C) ※2 | 定格電流<br>(A)<br>※3 | スミダ<br>コード |
|-----|-----------------|-----|-----------------------|---|-------------------|------------|
| 26  | CDRH64BNP-100MB | 100 | 10 $\mu$ H $\pm$ 20%  | 0.12 (88m)                                    | 1.35              | 4745-0172  |
| 27  | CDRH64BNP-120MB | 120 | 12 $\mu$ H $\pm$ 20%  | 0.13 (97m)                                    | 1.20              | 4745-0173  |
| 28  | CDRH64BNP-150MB | 150 | 15 $\mu$ H $\pm$ 20%  | 0.18 (0.13)                                   | 1.10              | 4745-0174  |
| 29  | CDRH64BNP-180MB | 180 | 18 $\mu$ H $\pm$ 20%  | 0.24 (0.18)                                   | 1.00              | 4745-0176  |
| 30  | CDRH64BNP-220MB | 220 | 22 $\mu$ H $\pm$ 20%  | 0.27 (0.20)                                   | 0.91              | 4745-0177  |
| 31  | CDRH64BNP-270MB | 270 | 27 $\mu$ H $\pm$ 20%  | 0.30 (0.22)                                   | 0.82              | 4745-0178  |
| 32  | CDRH64BNP-330MB | 330 | 33 $\mu$ H $\pm$ 20%  | 0.33 (0.25)                                   | 0.75              | 4745-0179  |
| 33  | CDRH64BNP-390MB | 390 | 39 $\mu$ H $\pm$ 20%  | 0.37 (0.27)                                   | 0.69              | 4745-0180  |
| 34  | CDRH64BNP-470MB | 470 | 47 $\mu$ H $\pm$ 20%  | 0.52 (0.38)                                   | 0.62              | 4745-0181  |
| 35  | CDRH64BNP-560MB | 560 | 56 $\mu$ H $\pm$ 20%  | 0.56 (0.41)                                   | 0.58              | 4745-0182  |
| 36  | CDRH64BNP-680MB | 680 | 68 $\mu$ H $\pm$ 20%  | 0.63 (0.47)                                   | 0.52              | 4745-0183  |
| 37  | CDRH64BNP-820MB | 820 | 82 $\mu$ H $\pm$ 20%  | 0.71 (0.53)                                   | 0.47              | 4745-0184  |
| 38  | CDRH64BNP-101MB | 101 | 100 $\mu$ H $\pm$ 20% | 1.03 (0.76)                                   | 0.43              | 4745-0185  |
| 39  | CDRH64BNP-121MB | 121 | 120 $\mu$ H $\pm$ 20% | 1.15 (0.85)                                   | 0.39              | 4745-0187  |
| 40  | CDRH64BNP-151MB | 151 | 150 $\mu$ H $\pm$ 20% | 1.68 (1.29)                                   | 0.35              | 4745-0188  |
| 41  | CDRH64BNP-181MB | 181 | 180 $\mu$ H $\pm$ 20% | 1.87 (1.44)                                   | 0.32              | 4745-0189  |
| 42  | CDRH64BNP-221MB | 221 | 220 $\mu$ H $\pm$ 20% | 2.08 (1.60)                                   | 0.29              | 4745-0190  |
| 43  | CDRH64BNP-271MB | 271 | 270 $\mu$ H $\pm$ 20% | 2.37 (1.82)                                   | 0.26              | 4745-0191  |
| 44  | CDRH64BNP-331MB | 331 | 330 $\mu$ H $\pm$ 20% | 2.67 (2.05)                                   | 0.23              | 4745-0192  |
| 45  | CDRH64BNP-391MB | 391 | 390 $\mu$ H $\pm$ 20% | 2.94 (2.26)                                   | 0.22              | 4745-0193  |
| 46  | CDRH64BNP-471MB | 471 | 470 $\mu$ H $\pm$ 20% | 3.93 (3.02)                                   | 0.20              | 4745-0194  |
| 47  | CDRH64BNP-561MB | 561 | 560 $\mu$ H $\pm$ 20% | 5.43 (4.18)                                   | 0.18              | 4745-0195  |
| 48  | CDRH64BNP-681MB | 681 | 680 $\mu$ H $\pm$ 20% | 7.32 (5.63)                                   | 0.17              | 4745-0196  |
| 49  | CDRH64BNP-821MB | 821 | 820 $\mu$ H $\pm$ 20% | 8.24 (6.34)                                   | 0.15              | 4745-0198  |
| 50  | CDRH64BNP-102MB | 102 | 1 mH $\pm$ 20%        | 9.26 (7.13)                                   | 0.14              | 4745-0199  |

※1: 測定周波数 L at 1 kHz

※2: ( )内は、標準値とする。

※3: 定格電流は直流重畳特性に於て、インダクタンスが公称値より-25%となる電流もしくは直流電流を流した時のコイルの発熱が $\Delta t=40^{\circ}\text{C}$ となる電流値の少ない方の値。(Ta=20°Cを基準とする。)

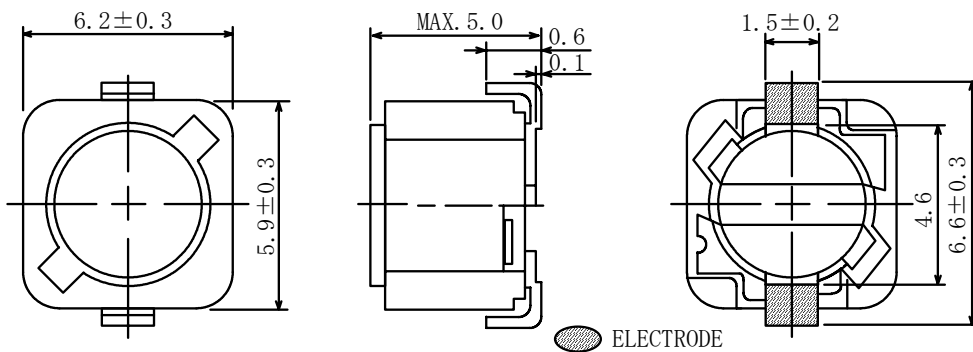
3. 保存温度範囲 -40°C ~ +100°C  
 使用温度範囲 -40°C ~ +100°C (コイルの発熱を含む。)

# SPECIFICATION

|                 |
|-----------------|
| TYPE<br>CDRH64B |
|-----------------|

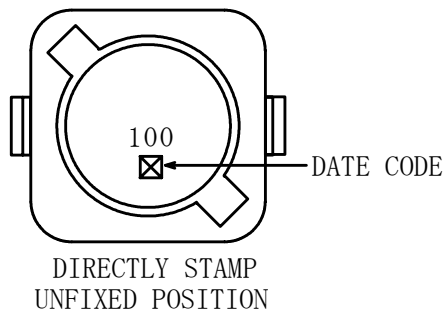
## 1. APPEARANCE

### 1-1. DIMENSIONS (mm)

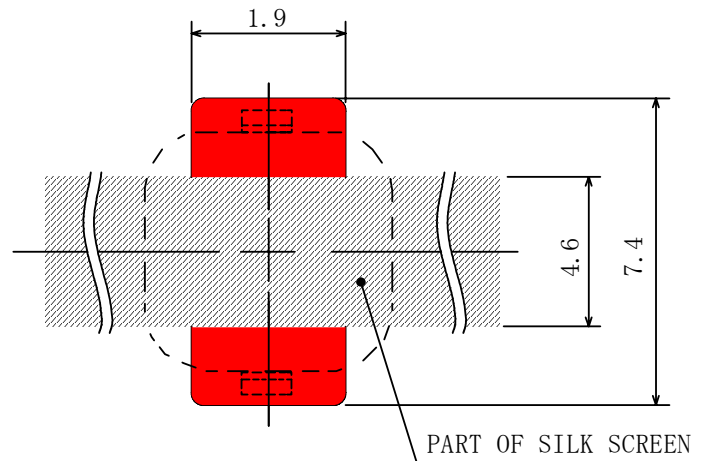


\* DIMENSIONS WITHOUT TOLERANCE ARE APPROX.

### 1-2. STAMP (E. G.)



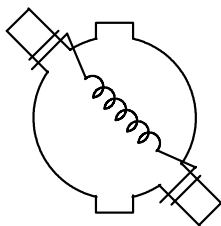
### 1-3. DIMENSION RECOMMENDED (mm)



PLEASE COAT WITH SILK SCREEN BETWEEN THE TWO TERMINALS.

## 2. COIL SPECIFICATION

### 2-1. CONNECTION (BOTTOM VIEW)



|   |
|---|
| RoHS<br>compliance<br>Cd:Max. 0.01wt%<br>others:Max. 0.1wt% |
|---|



# SPECIFICATION

TYPE  
CDRH64B

## 2-2. ELECTRICAL CHARACTERISTICS I (IN THE CASE OF REEL)

| NO. | PART NAME       | STAMP | INDUCTANCE<br>[WITHIN]<br>※1 | D. C. R.<br>( $\Omega$ ) [MAX. ]<br>(at 20°C) ※2 | RATED<br>CURRENT<br>(A) ※3 | SUMIDA<br>CODE |
|-----|-----------------|-------|------------------------------|--|----------------------------|----------------|
| 01  | CDRH64BNP-100MC | 100   | 10 $\mu$ H $\pm$ 20%         | 0.12 (88m)                                       | 1.35                       | 4745-0145      |
| 02  | CDRH64BNP-120MC | 120   | 12 $\mu$ H $\pm$ 20%         | 0.13 (97m)                                       | 1.20                       | 4745-0146      |
| 03  | CDRH64BNP-150MC | 150   | 15 $\mu$ H $\pm$ 20%         | 0.18 (0.13)                                      | 1.10                       | 4745-0147      |
| 04  | CDRH64BNP-180MC | 180   | 18 $\mu$ H $\pm$ 20%         | 0.24 (0.18)                                      | 1.00                       | 4745-0148      |
| 05  | CDRH64BNP-220MC | 220   | 22 $\mu$ H $\pm$ 20%         | 0.27 (0.20)                                      | 0.91                       | 4745-0149      |
| 06  | CDRH64BNP-270MC | 270   | 27 $\mu$ H $\pm$ 20%         | 0.30 (0.22)                                      | 0.82                       | 4745-0150      |
| 07  | CDRH64BNP-330MC | 330   | 33 $\mu$ H $\pm$ 20%         | 0.33 (0.25)                                      | 0.75                       | 4745-0151      |
| 08  | CDRH64BNP-390MC | 390   | 39 $\mu$ H $\pm$ 20%         | 0.37 (0.27)                                      | 0.69                       | 4745-0152      |
| 09  | CDRH64BNP-470MC | 470   | 47 $\mu$ H $\pm$ 20%         | 0.52 (0.38)                                      | 0.62                       | 4745-0154      |
| 10  | CDRH64BNP-560MC | 560   | 56 $\mu$ H $\pm$ 20%         | 0.56 (0.41)                                      | 0.58                       | 4745-0155      |
| 11  | CDRH64BNP-680MC | 680   | 68 $\mu$ H $\pm$ 20%         | 0.63 (0.47)                                      | 0.52                       | 4745-0156      |
| 12  | CDRH64BNP-820MC | 820   | 82 $\mu$ H $\pm$ 20%         | 0.71 (0.53)                                      | 0.47                       | 4745-0157      |
| 13  | CDRH64BNP-101MC | 101   | 100 $\mu$ H $\pm$ 20%        | 1.03 (0.76)                                      | 0.43                       | 4745-0158      |
| 14  | CDRH64BNP-121MC | 121   | 120 $\mu$ H $\pm$ 20%        | 1.15 (0.85)                                      | 0.39                       | 4745-0159      |
| 15  | CDRH64BNP-151MC | 151   | 150 $\mu$ H $\pm$ 20%        | 1.68 (1.29)                                      | 0.35                       | 4745-0160      |
| 16  | CDRH64BNP-181MC | 181   | 180 $\mu$ H $\pm$ 20%        | 1.87 (1.44)                                      | 0.32                       | 4745-0161      |
| 17  | CDRH64BNP-221MC | 221   | 220 $\mu$ H $\pm$ 20%        | 2.08 (1.60)                                      | 0.29                       | 4745-0162      |
| 18  | CDRH64BNP-271MC | 271   | 270 $\mu$ H $\pm$ 20%        | 2.37 (1.82)                                      | 0.26                       | 4745-0163      |
| 19  | CDRH64BNP-331MC | 331   | 330 $\mu$ H $\pm$ 20%        | 2.67 (2.05)                                      | 0.23                       | 4745-0165      |
| 20  | CDRH64BNP-391MC | 391   | 390 $\mu$ H $\pm$ 20%        | 2.94 (2.26)                                      | 0.22                       | 4745-0166      |
| 21  | CDRH64BNP-471MC | 471   | 470 $\mu$ H $\pm$ 20%        | 3.93 (3.02)                                      | 0.20                       | 4745-0167      |
| 22  | CDRH64BNP-561MC | 561   | 560 $\mu$ H $\pm$ 20%        | 5.43 (4.18)                                      | 0.18                       | 4745-0168      |
| 23  | CDRH64BNP-681MC | 681   | 680 $\mu$ H $\pm$ 20%        | 7.32 (5.63)                                      | 0.17                       | 4745-0169      |
| 24  | CDRH64BNP-821MC | 821   | 820 $\mu$ H $\pm$ 20%        | 8.24 (6.34)                                      | 0.15                       | 4745-0170      |
| 25  | CDRH64BNP-102MC | 102   | 1 mH $\pm$ 20%               | 9.26 (7.13)                                      | 0.14                       | 4745-0171      |

※1: MEASURED FREQUENCY L at 1 kHz

※2: ( ) TYPICAL VALUE.

※3: THIS INDICATES THE VALUE OF CURRENT WHEN THE INDUCTANCE IS 75% LOWER THAN ITS NOMINAL VALUE AT D. C. SUPERPOSITION OR D. C. CURRENT WHEN  $\Delta T=40^{\circ}\text{C}$  WHICHEVER IS LOWER. ( $T_a=20^{\circ}\text{C}$ )

# SPECIFICATION

TYPE  
CDRH64B

## 2-3. ELECTRICAL CHARACTERISTICS II (IN THE CASE OF BOX)

| NO. | PART NAME       | STAMP | INDUCTANCE<br>[WITHIN]<br>※1 | D. C. R.<br>(Ω) [MAX.]<br>(at 20°C) ※2 | RATED<br>CURRENT<br>(A) ※3 | SUMIDA<br>CODE |
|-----|-----------------|-------|------------------------------|--|----------------------------|----------------|
| 26  | CDRH64BNP-100MB | 100   | 10 μH ± 20%                  | 0.12 (88m)                             | 1.35                       | 4745-0172      |
| 27  | CDRH64BNP-120MB | 120   | 12 μH ± 20%                  | 0.13 (97m)                             | 1.20                       | 4745-0173      |
| 28  | CDRH64BNP-150MB | 150   | 15 μH ± 20%                  | 0.18 (0.13)                            | 1.10                       | 4745-0174      |
| 29  | CDRH64BNP-180MB | 180   | 18 μH ± 20%                  | 0.24 (0.18)                            | 1.00                       | 4745-0176      |
| 30  | CDRH64BNP-220MB | 220   | 22 μH ± 20%                  | 0.27 (0.20)                            | 0.91                       | 4745-0177      |
| 31  | CDRH64BNP-270MB | 270   | 27 μH ± 20%                  | 0.30 (0.22)                            | 0.82                       | 4745-0178      |
| 32  | CDRH64BNP-330MB | 330   | 33 μH ± 20%                  | 0.33 (0.25)                            | 0.75                       | 4745-0179      |
| 33  | CDRH64BNP-390MB | 390   | 39 μH ± 20%                  | 0.37 (0.27)                            | 0.69                       | 4745-0180      |
| 34  | CDRH64BNP-470MB | 470   | 47 μH ± 20%                  | 0.52 (0.38)                            | 0.62                       | 4745-0181      |
| 35  | CDRH64BNP-560MB | 560   | 56 μH ± 20%                  | 0.56 (0.41)                            | 0.58                       | 4745-0182      |
| 36  | CDRH64BNP-680MB | 680   | 68 μH ± 20%                  | 0.63 (0.47)                            | 0.52                       | 4745-0183      |
| 37  | CDRH64BNP-820MB | 820   | 82 μH ± 20%                  | 0.71 (0.53)                            | 0.47                       | 4745-0184      |
| 38  | CDRH64BNP-101MB | 101   | 100 μH ± 20%                 | 1.03 (0.76)                            | 0.43                       | 4745-0185      |
| 39  | CDRH64BNP-121MB | 121   | 120 μH ± 20%                 | 1.15 (0.85)                            | 0.39                       | 4745-0187      |
| 40  | CDRH64BNP-151MB | 151   | 150 μH ± 20%                 | 1.68 (1.29)                            | 0.35                       | 4745-0188      |
| 41  | CDRH64BNP-181MB | 181   | 180 μH ± 20%                 | 1.87 (1.44)                            | 0.32                       | 4745-0189      |
| 42  | CDRH64BNP-221MB | 221   | 220 μH ± 20%                 | 2.08 (1.60)                            | 0.29                       | 4745-0190      |
| 43  | CDRH64BNP-271MB | 271   | 270 μH ± 20%                 | 2.37 (1.82)                            | 0.26                       | 4745-0191      |
| 44  | CDRH64BNP-331MB | 331   | 330 μH ± 20%                 | 2.67 (2.05)                            | 0.23                       | 4745-0192      |
| 45  | CDRH64BNP-391MB | 391   | 390 μH ± 20%                 | 2.94 (2.26)                            | 0.22                       | 4745-0193      |
| 46  | CDRH64BNP-471MB | 471   | 470 μH ± 20%                 | 3.93 (3.02)                            | 0.20                       | 4745-0194      |
| 47  | CDRH64BNP-561MB | 561   | 560 μH ± 20%                 | 5.43 (4.18)                            | 0.18                       | 4745-0195      |
| 48  | CDRH64BNP-681MB | 681   | 680 μH ± 20%                 | 7.32 (5.63)                            | 0.17                       | 4745-0196      |
| 49  | CDRH64BNP-821MB | 821   | 820 μH ± 20%                 | 8.24 (6.34)                            | 0.15                       | 4745-0198      |
| 50  | CDRH64BNP-102MB | 102   | 1 mH ± 20%                   | 9.26 (7.13)                            | 0.14                       | 4745-0199      |

※1: MEASURED FREQUENCY L at 1 kHz

※2: ( ) TYPICAL VALUE.

※3: THIS INDICATES THE VALUE OF CURRENT WHEN THE INDUCTANCE IS 75% LOWER THAN ITS NOMINAL VALUE AT D.C. SUPERPOSITION OR D.C. CURRENT WHEN ΔT=40°C WHICHEVER IS LOWER. (Ta=20°C)

3. STORAGE TEMPERATURE RANGE : -40°C ~ +100°C

OPERATING TEMPERATURE RANGE: -40°C ~ +100°C (INCLUDING SELF TEMPERATURE RISE)