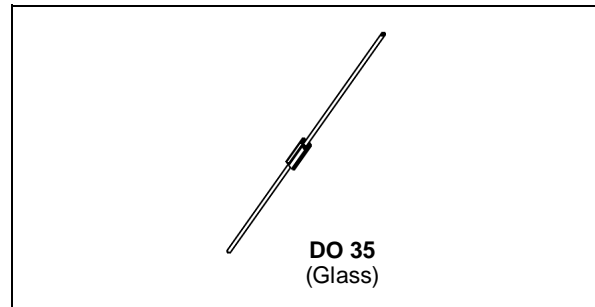


## SMALL SIGNAL SCHOTTKY DIODE

### DESCRIPTION

Metal to silicon junction diode primarily intended for UHF mixers and ultrafast switching applications.



### ABSOLUTE RATINGS (limiting values)

Symbol	Parameter	Value	Unit
$V_{RRM}$	Repetitive Peak Reverse Voltage	5	V
$I_F$	Forward Continuous Current*	$T_a = 25\text{ }^\circ\text{C}$ 30	mA
$I_{FSM}$	Surge non Repetitive Forward Current*	$t_p \leq 1\text{ s}$ 60	mA
$T_{stg}$ $T_j$	Storage and Junction Temperature Range	- 65 to +150 -65 to +125	$^\circ\text{C}$ $^\circ\text{C}$
$T_L$	Maximum Lead Temperature for Soldering during 10s at 4mm from Case	230	$^\circ\text{C}$

### THERMAL RESISTANCE

Symbol	Test Conditions	Value	Unit
$R_{th(j-a)}$	Junction-ambient*	400	$^\circ\text{C/W}$

### ELECTRICAL CHARACTERISTICS

#### STATIC CHARACTERISTICS

Symbol	Test Conditions	Min.	Typ.	Max.	Unit
$V_{BR}$	$T_{amb} = 25\text{ }^\circ\text{C}$ $I_R = 100\mu\text{A}$	5			V
$V_F(1)$	$T_{amb} = 25\text{ }^\circ\text{C}$ $I_F = 10\text{mA}$			0.55	V
$I_R(1)$	$T_{amb} = 25\text{ }^\circ\text{C}$ $V_R = 1\text{V}$			0.05	$\mu\text{A}$

#### DYNAMIC CHARACTERISTICS

Symbol	Test Conditions	Min.	Typ.	Max.	Unit
C	$T_{amb} = 25\text{ }^\circ\text{C}$ $V_R = 0\text{V}$ $f = 1\text{MHz}$			1	pF
QS (2)	$T_{amb} = 25\text{ }^\circ\text{C}$ $I_F = 10\text{mA}$			3	pC
F (3)	$T_{amb} = 25\text{ }^\circ\text{C}$ $f = 1\text{GHz}$		6	7	dB

\* On infinite heatsink with 4mm lead length

(1) Pulse test:  $t_p \leq 300\mu\text{s}$   $\delta < 2\%$ .

(2) Measured on B-line Electronics QS-3 stored charge meter.

(3) Noise figure test :

- diode is inserted in a tuned stripline circuit
- local oscillator frequency 1GHz
- local oscillator power 1mW
- intermediate frequency amplifier, tuned on 30MHz, has a noise figure 1.5dB

Figure 1. Forward current versus forward voltage (typical values).

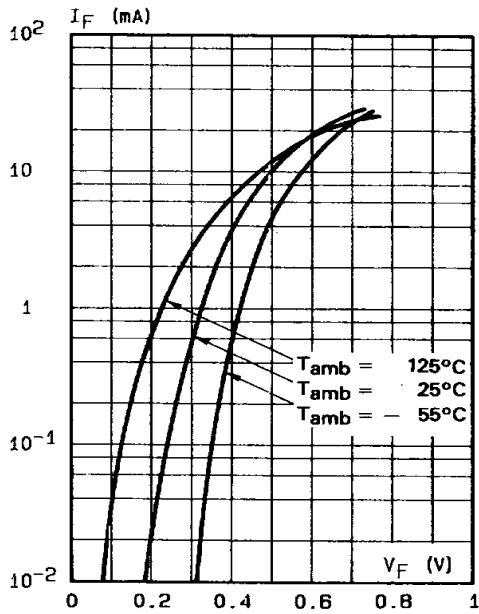


Figure 2. Capacitance C versus reverse applied voltage  $V_R$  (typical values).

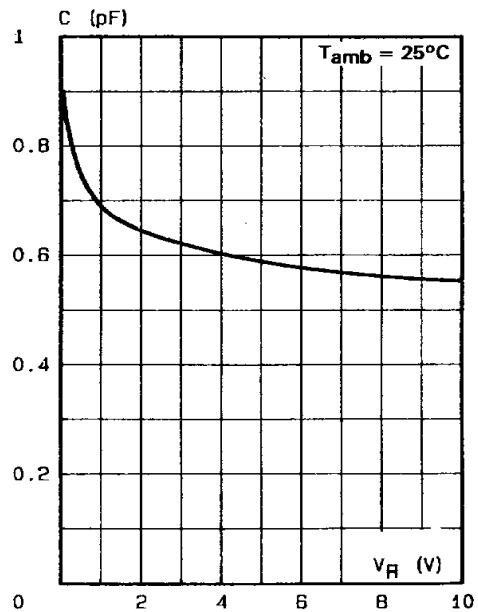


Figure 3. Reverse current versus ambient temperature.

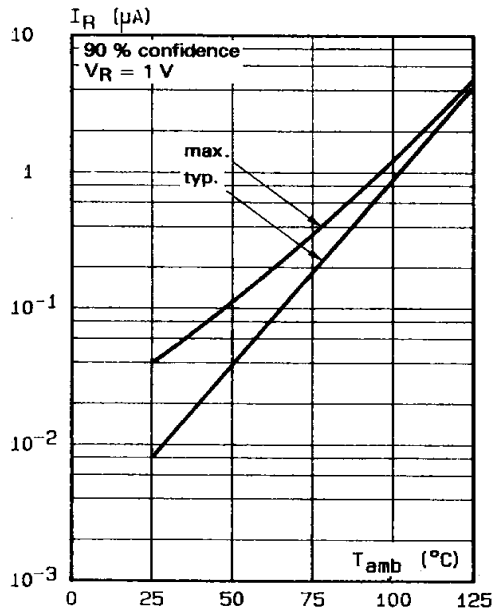
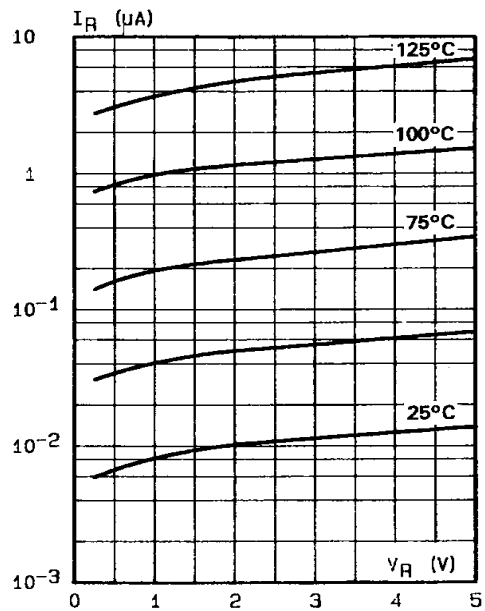
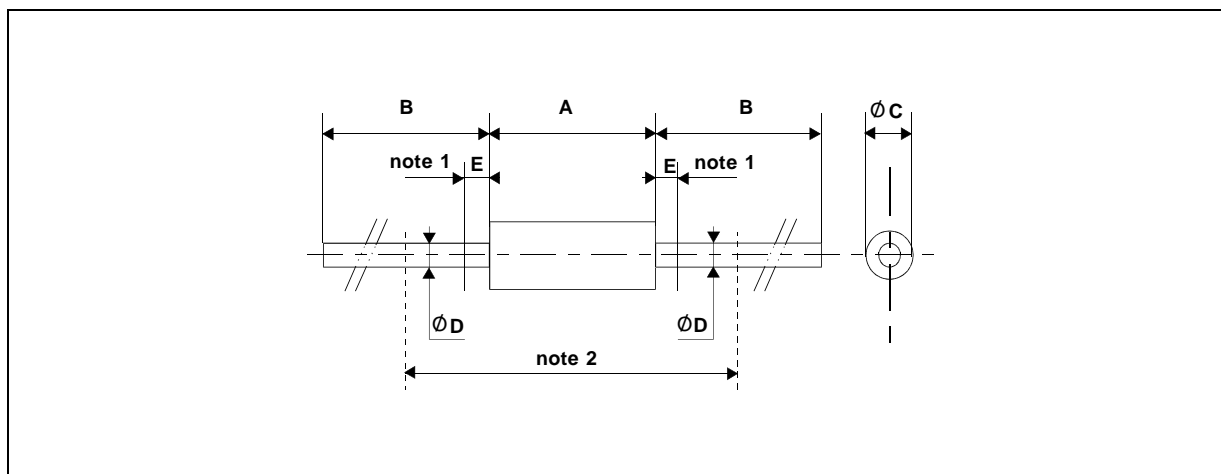


Figure 4. Reverse current versus continuous reverse voltage (typical values).



PACKAGE MECHANICAL DATA

DO 35 Glass



REF.	DIMENSIONS				NOTES
	Millimeters		Inches		
	Min.	Max.	Min.	Max.	
A	3.050	4.500	0.120	0.117	1 - The lead diameter $\varnothing D$ is not controlled over zone E 2 - The minimum axial length within which the device may be placed with its leads bent at right angles is 0.59"(15 mm)
B	12.7		0.500		
$\varnothing C$	1.530	2.000	0.060	0.079	
$\varnothing D$	0.458	0.558	0.018	0.022	
E		1.27		0.050	

Cooling method : by convection and conduction  
 Marking: clear, ring at cathode end.  
 Weight: 0.15g

Information furnished is believed to be accurate and reliable. However, SGS-THOMSON Microelectronics assumes no responsibility for the consequences of use of such information nor for any infringement of patents or other rights of third parties which may result from its use. No license is granted by implication or otherwise under any patent or patent rights of SGS-THOMSON Microelectronics. Specifications mentioned in this publication are subject to change without notice. This publication supersedes and replaces all information previously supplied. SGS-THOMSON Microelectronics products are not authorized for use as critical components in life support devices or systems without express written approval of SGS-THOMSON Microelectronics.

© 1994 SGS-THOMSON Microelectronics - Printed in Italy - All rights reserved.

SGS-THOMSON Microelectronics GROUP OF COMPANIES  
 Australia - Brazil - France - Germany - Hong Kong - Italy - Japan - Korea - Malaysia - Malta - Morocco - The Netherlands  
 - Singapore - Spain - Sweden - Switzerland - Taiwan - United Kingdom - U.S.A.