

Type: CDRH10D43FB

**Sample Submission is forbidden,  
Transferred to CDRH10D43R**

### Product Description

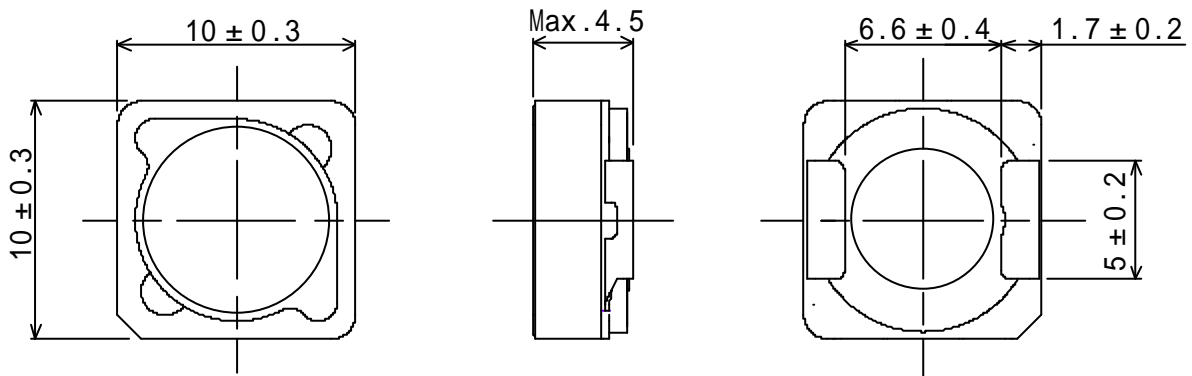
- 10.3x10.3mm Max.(LxW ) , 4.5mm Max. Height.
- Inductance Range: 1.0~ 33  $\mu$  H
- Rated current range: 2.0~ 10.8A
- In addition to the standards versions shown here, custom inductors are also available to meet your exact requirements.



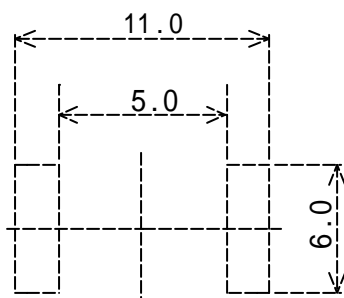
### ⚠ Feature

- Magnetically shielded construction.
- Flat Wire used, Lower Heating Loss Type.
- Ideally used in Notebook PC, Game machine, DSC/DVC,DVD,LCD TV,STB etc as DC-DC Converter inductors.
- RoHS Compliance.

### Dimensions (mm)



### Land Pattern (mm)



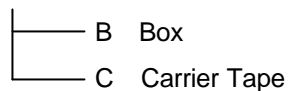
Type: CDRH10D43FB

**Specification**

Part Name	Stamp	Inductance [ Within ] 100kHz/1V	D.C.R.(m ) Max.(Typ.) (at 20 )	Saturation current (A) 1		Temperature rise current (A) 2
				(at 20 )	(at100 )	
CDRH1ØD43FBNP-1RØM	1R0M	1.0µ H ± 20%	6.0 ( 5.0 )	14.8	11.3	10.8
CDRH1ØD43FBNP-1R7M	1R7M	1.7µ H ± 20%	7.0 ( 5.8 )	11.7	9.0	9.5
CDRH1ØD43FBNP-2R6M	2R6M	2.6µ H ± 20%	9.6 ( 8.0 )	9.9	7.7	6.9
CDRH1ØD43FBNP-3R6M	3R6M	3.6µ H ± 20%	11.5 ( 9.6 )	8.1	6.8	6.4
CDRH1ØD43FBNP-4R7M	4R7M	4.7µ H ± 20%	16.2 ( 13.5 )	7.2	5.9	5.8
CDRH1ØD43FBNP-6R4M	6R4M	6.4µ H ± 20%	21.6 ( 18.0 )	6.1	5.0	4.8
CDRH1ØD43FBNP-7R2M	7R2M	7.2µ H ± 20%	24.6 ( 20.5 )	5.6	4.7	4.4
CDRH1ØD43FBNP-1ØØM	100M	10.0µ H ± 20%	32.0 ( 26.5 )	4.5	3.6	4.2
CDRH1ØD43FBNP-15ØM	150M	15.0µ H ± 20%	49.4 ( 41.2 )	4.0	3.4	3.1
CDRH1ØD43FBNP-22ØM	220M	22.0µ H ± 20%	70.2 ( 58.7 )	3.4	2.7	2.7
CDRH1ØD43FBNP-27ØM	270M	27.0µ H ± 20%	92.4 ( 77.0 )	2.9	2.5	2.2
CDRH1ØD43FBNP-33ØM	330M	33.0µ H ± 20%	104.4 ( 87.0 )	2.7	2.2	2.0

**Description of part name**

CDRH1ØD43FBNP-1RØM



- 1.Saturation Current: The DC current at which the inductance decreases to 65% of it's nominal value (Ta = 20 )
- 2 Temperature rise current: The DC current at which the temperature rise is t = 40 . (Ta = 20 )