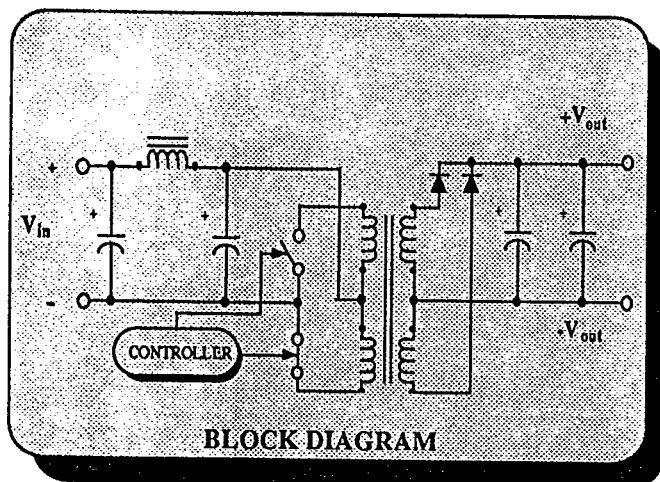
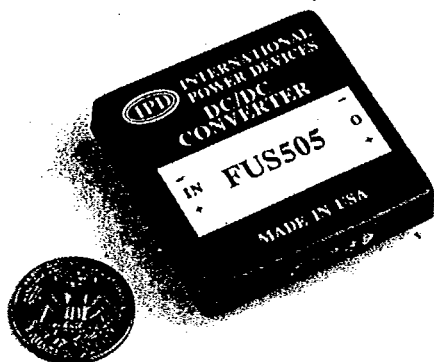




TO 10 WATT

FUS

T-57-11 SERIES



FEATURES:

- LOW .40 INCH PROFILE
- SIX-SIDED SHIELDING
- 500VDC ISOLATION
- 5, 12, 24, AND 48 VDC INPUT

APPLICATIONS:

- A/D-D/A CONVERTERS
- TELECOMMUNICATIONS
- PROCESS CONTROL EQUIPMENT
- LOCAL POWER DISTRIBUTION

The FUS Series is a line of unregulated, single output DC/DC converters packaged in a miniature 2 x 2 x .40 inch metal case with six-sided EMI/RFI shielding. It provides up to 83% efficiency for applications where a regulated or semiregulated input voltage source is available or where high efficiency is more important than line & load regulation. All models have short circuit protection with automatic restart upon removal of short circuit. An internal π (Pi) input filter is standard for all models to minimize reflected input ripple current for critical applications.

ELECTRICAL SPECIFICATIONS

All Specifications Typical @+25°C, Nominal Line, and Full Load Unless Otherwise Noted.

INPUT SPECIFICATIONS

Input Voltage Range $\pm 10\%$
Input Filter Π (Pi) Filter

OUTPUT SPECIFICATIONS

Voltage Accuracy $\pm 3.0\%$, max.
Line Regulation See Table
Load Regulation See Table
Ripple and Noise, 20 MHz BW 150 mVp-p max.
Short Circuit Protection 10 Sec., max.
Short Circuit Restart Automatic

GENERAL SPECIFICATIONS

Efficiency See Table at Right
Isolation Voltage >500 VDC
Isolation Resistance >10⁹ Ohms
Switching Frequency >20 KHz, typ.

ENVIRONMENTAL SPECIFICATIONS

Operating Temperature Range -25°C to +71°C
Surface Temp. Rise Above Ambient 7°C/Watt Diss.
Derating None
Storage Temperature Range -40°C to +125°C
Humidity 20% to 95% R.H. (non-condensing)
Cooling Free-Air Convection
EMI/RFI Six-Sided Continuous Metal Case

PHYSICAL SPECIFICATIONS

Dimensions 2.0 x 2.0 x 0.40 Inches
(51 x 51 x 10.16 mm)
Weight 2.5 Oz. (50 g)
Case Material Black Coated Copper
(With Non-Conductive Header)

SINGLE OUTPUT

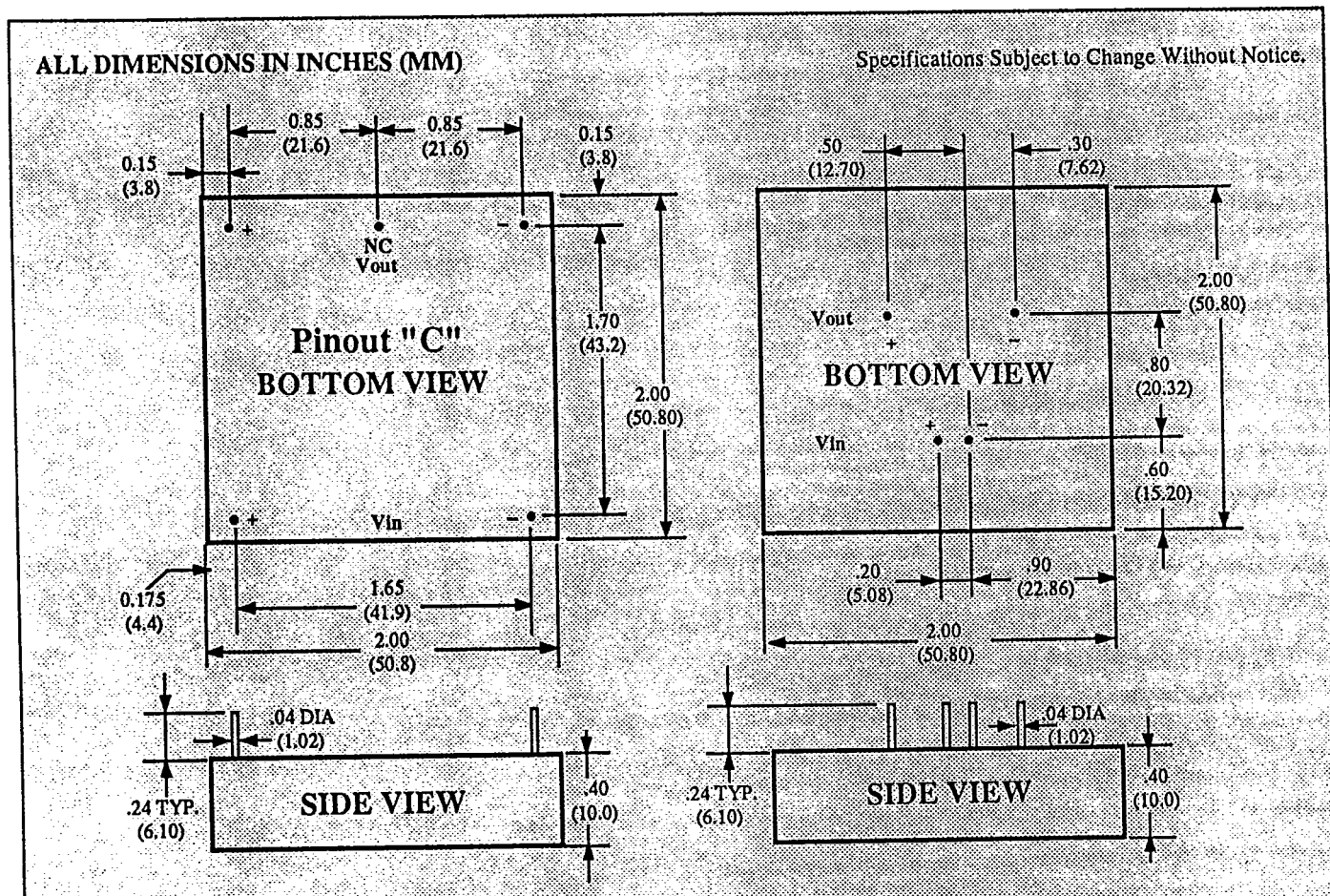
INTERNATIONAL
POWER DEVICES



INPUT VOLTAGE	OUTPUT VOLTAGE	OUTPUT CURRENT	INPUT CURRENT		% EFF	REGULATION		MODEL NUMBER
			NO/LOAD	FULL/LOAD		LINE*	LOAD**	
5VDC	5VDC	1500mA	170mA	1875mA	80	±1.3%	±10%	FUS505
	12VDC	830mA	115mA	2490mA	84	±1.2%	±13%	FUS512
	15VDC	670mA	180mA	2380mA	84	±1.2%	±11%	FUS515
12VDC	5VDC	1500mA	46mA	792mA	80	±1.2%	±13%	FUS1205
	12VDC	830mA	49mA	965mA	84	±1.2%	±11%	FUS1212
24VDC	5VDC	1500mA	30mA	380mA	83	±1.2%	±8%	FUS2405
48VDC	5VDC	1500mA	17mA	213mA	76	±1.2%	±9%	FUS4805

* Line Regulation is per 1.0% change in Input Voltage.
 ** Load Regulation is for load change from 20% to 100%.

When Ordering Pinout "C", Please Add Suffix "C" to the Part Number.
 Example: FUS1212C



For Optional MATING SOCKET, Please Refer to ACCESSORIES Page. All Mechanical Tolerances are ±0.020"