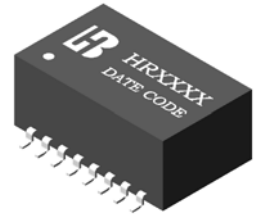


HOME LAN NETWORKING BANDPASS FILTERS

462 Boston St - Topsfield, MA 01983 - Phone: 978-887-8050 - Fax: 978-887-5434

- Design for home LAN Networking , Phone line & Ethernet
- Supports TUT system home LAN technology
- Surface mountable
- Integrated 10/100 Base-T transmit & receive isolation & EMI Filter
- Storage temperature range: -40°C to +125°C.



Electrical Specifications @ 25°C Operating Temperature range: 0°C to +70°C

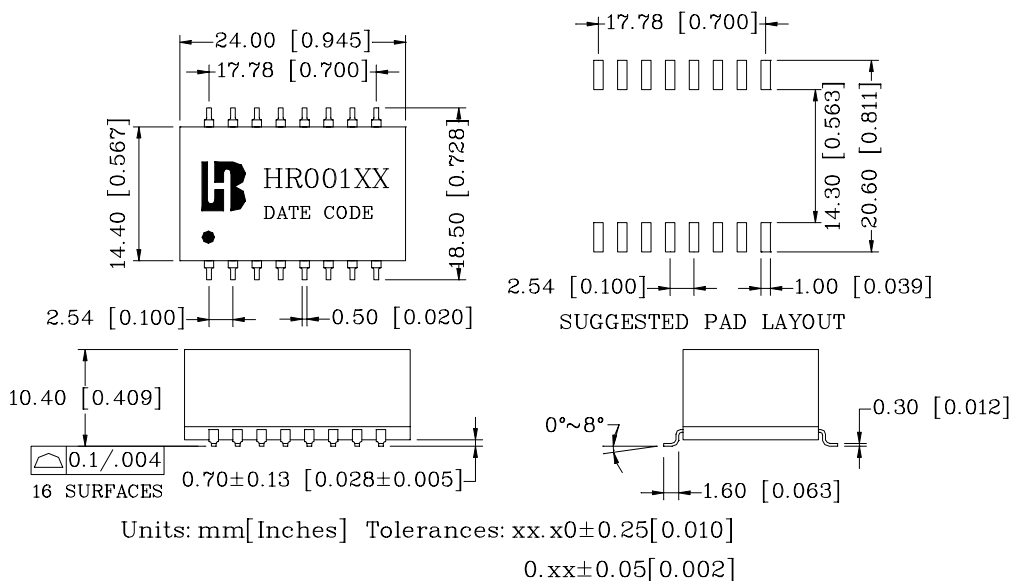
HI-POT: 1500Vrms “*” Operating temperature range : -40°C to +85°C .

“\$” Inductance (TX& RX): 350 uH Min with 8mA DC Bias

Part Number	Turn Ratio TX/RX/TUT (±5%)	L/L (μ H Max)	Inductance		DCR TX/RX (Ω Normal/Max)
			TX/RX(uH Min)		
HR001	1CT:1.414CT/1:1CT/1CT:1	0.5	200		0.6/0.8
HR001A	1CT:1.414CT/1:1CT/1CT:1	0.5	200		0.8/1.0
HR001AM*	1CT:1.414CT/1:1CT/1CT:1	0.5	200		0.8/1.0
HR001B\$	1CT:1CT/1:1CT/1CT:1	0.5	350		1.0
HR001BM\$*	1CT:1CT/1:1CT/1CT:1	0.5	350		1.0
HR001M	1CT:1.414CT/1:1CT/1CT:1	0.5	300		0.6/0.8
HR001MM*	1CT:1.414CT/1:1CT/1CT:1	0.5	300		0.6/0.8
HR001R	1CT:1.414/1:1/1CT:1	0.7/1.2	140/180Typ		0.6/0.9

Part Number	Return Loss TX/RX (dB Min)	TUT Insertion (dB Max)	TUT Return Loss (dB Min)	TUT Attenuation (dB Min/ Normal)		Interwinding capacitance TX/RX (pF Max)
				1-10MHz	6-9MHz	
HR001	-18/-23Typ	-4	-9.5	-65/-70	-47/-55	20
HR001A	-18/-23Typ	-3	10	-65/-70	-47/-55	14
HR001AM*	-18/-23Typ	-3	10	-65/-70	-47/-55	14
HR001B\$	-	-3	-10	-65/-70	-47/-55	30
HR001BM\$*	-	-3	-10	-65/-70	-47/-55	30
HR001M	-18/-23Typ	-3	-10	-65/-70	-47/-55	20
HR001MM*	-18/-23Typ	-3	-10	-65/-70	-47/-55	20
HR001R	-18/-23Typ	-2.2	-12	-60/-65	-54/-58	14

Mechanicals



Bothhand USA. e-mail: sales@bothhandusa.com <http://www.bothhand.com>

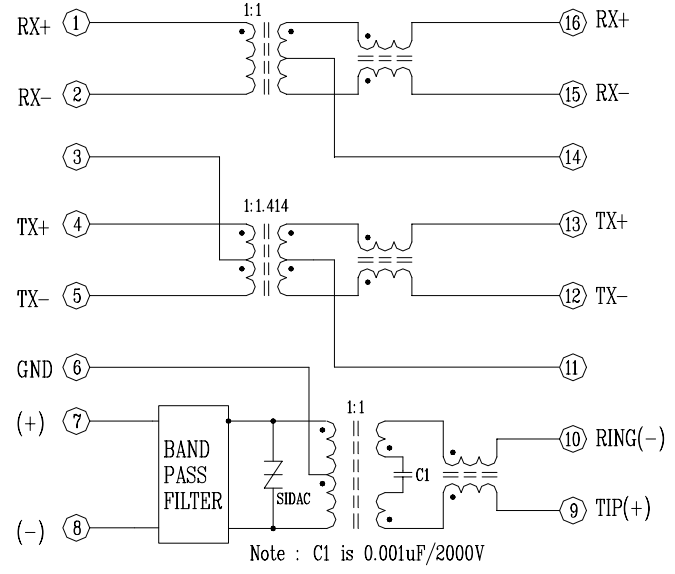
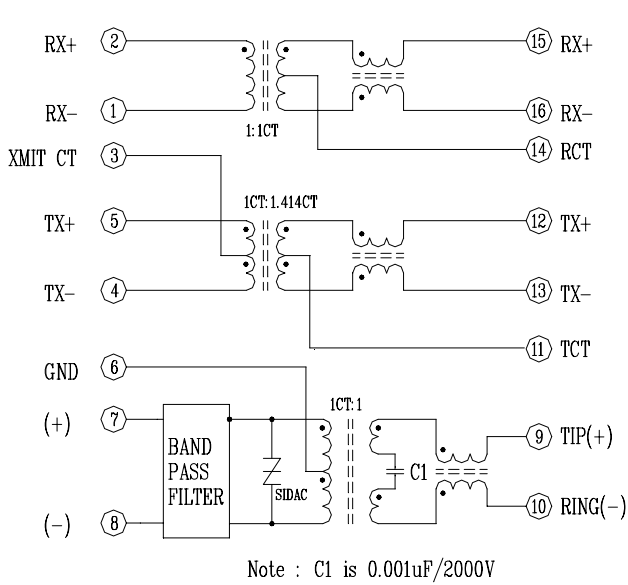
462 Boston St - Topsfield, MA 01983 - Phone: 978-887-8050 - Fax: 978-887-5434

HOME LAN NETWORKING BANDPASS FILTERS

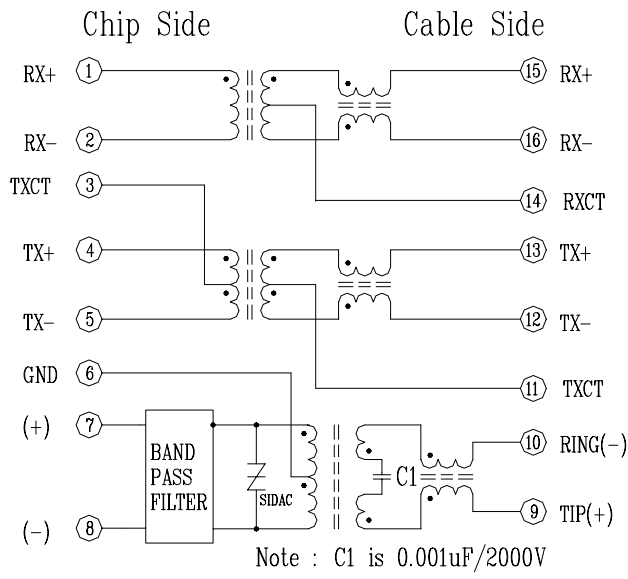
462 Boston St - Topsfield, MA 01983 - Phone: 978-887-8050 - Fax: 978-887-5434

Schematics

HR001A, HR001AM



HR001B, HR001BM



HR001R

