

64M bit Synchronous DRAM

M2V64S20BTP-7,-7L,-8,-8L,-8A,-10,-10L (4-BANK x 4194304-WORD x 4-BIT)

M2V64S30BTP-7,-7L,-8,-8L,-8A,-10,-10L (4-BANK x 2097152-WORD x 8-BIT)

M2V64S40BTP-7,-7L,-8,-8L,-8A,-10,-10L (4-BANK x 1048576-WORD x 16-BIT)

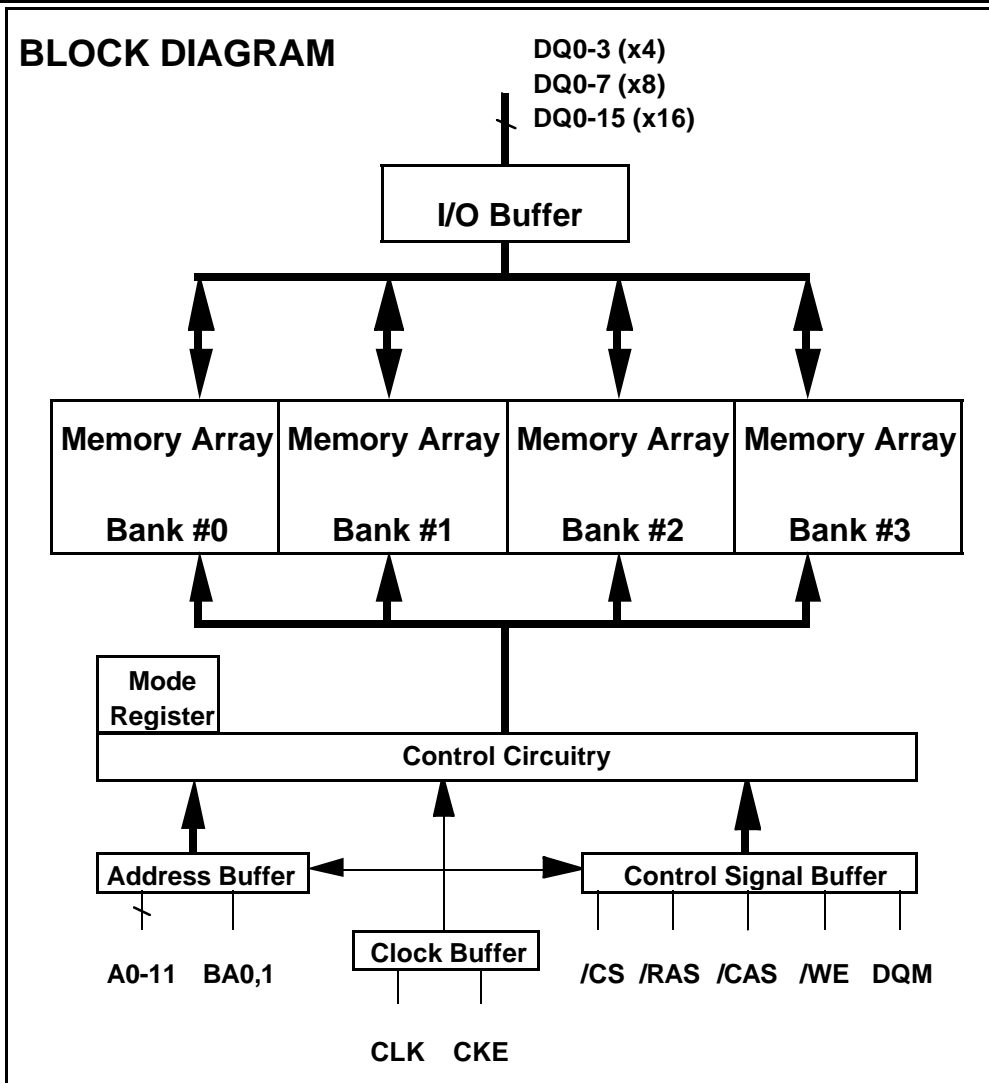
DESCRIPTION

The M2V64S20BTP is organized as 4-bank x 4194304-word x 4-bit, M2V64S30BTP is organized as 4-bank x 2097152-word x 8-bit, and M2V64S40BTP is organized as 4-bank x 1048576-word x 16-bit Synchronous DRAM with LVTTTL interface. All inputs and outputs are referenced to the rising edge of CLK. The M2V64S20BTP, M2V64S30BTP, M2V64S40BTP achieve very high speed data rate up to 125MHz, and are suitable for main memory or graphic memory in computer systems.

FEATURES

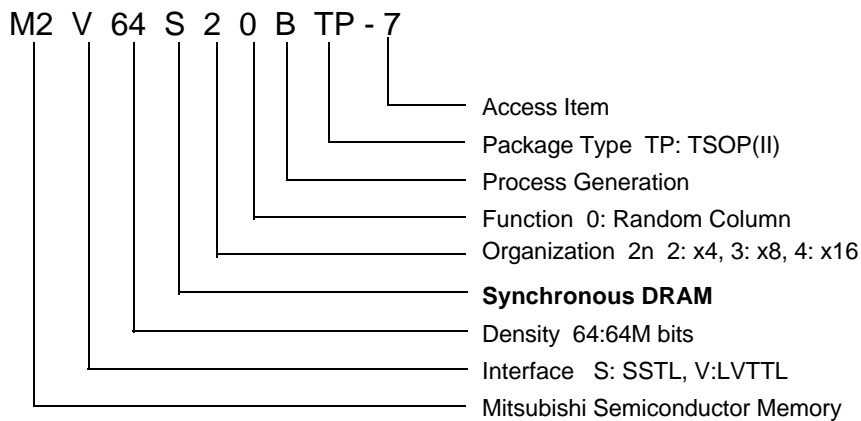
- Single 3.3v \pm 0.3v power supply
- Clock frequency 125MHz /100MHz
- Fully synchronous operation referenced to clock rising edge
- 4 bank operation controlled by BA0, BA1 (Bank Address)
- /CAS latency- 2/3 (programmable)
- Burst length- 1/2/4/8/Full Page (programmable)
- Burst type- sequential / interleave (programmable)
- Column access - random
- Burst Write / Single Write (programmable)
- Auto precharge / All bank precharge controlled by A10
- Auto refresh and Self refresh
- 4096 refresh cycles /64ms
- Column address A0-A9 (x4), A0-A8(x8), A0-A7(x16)
- LVTTTL Interface
- 400-mil, 54-pin Thin Small Outline Package (TSOP II) with 0.8mm lead pitch

| | | Max. Frequency | CLK Access Time |
|---|-----------|-------------------|--------------------|
| M2V64S20BTP M2V64S30BTP M2V64S40BTP | -7, -7L | 100MHz(CL2) | 6ns |
| | -8, -8L | 100MHz(CL3) | 6ns |
| | -8A | 125MHz | 6ns |
| | -10, -10L | 100MHz | 8ns |



Type Designation Code

This rule is applied only to Synchronous DRAM families beyond 64M B-version.



64M bit Synchronous DRAM

M2V64S20BTP-7,-7L,-8,-8L,-8A,-10,-10L (4-BANK x 4194304-WORD x 4-BIT)

M2V64S30BTP-7,-7L,-8,-8L,-8A,-10,-10L (4-BANK x 2097152-WORD x 8-BIT)

M2V64S40BTP-7,-7L,-8,-8L,-8A,-10,-10L (4-BANK x 1048576-WORD x 16-BIT)

PIN FUNCTION

| | | |
|---|----------------|---|
| CLK | Input | Master Clock: All other inputs are referenced to the rising edge of CLK. |
| CKE | Input | Clock Enable: CKE controls internal clock. When CKE is low, internal clock for the following cycle is ceased. CKE is also used to select auto / self refresh. After self refresh mode is started, CKE becomes asynchronous input. Self refresh is maintained as long as CKE is low. |
| /CS | Input | Chip Select: When /CS is high, any command means No Operation. |
| /RAS, /CAS, /WE | Input | Combination of /RAS, /CAS, /WE defines basic commands. |
| A0-11 | Input | A0-11 specify the Row / Column Address in conjunction with BA0,1. The Row Address is specified by A0-11. The Column Address is specified by A0-A9(x4), A0-A8(x8), A0-7(x16) . A10 is also used to indicate precharge option. When A10 is high at a read / write command, an auto precharge is performed. When A10 is high at a precharge command, all banks are precharged. |
| BA0,1 | Input | Bank Address: BA0,1 specifies one of four banks to which a command is applied. BA0,1 must be set with ACT, PRE, READ, WRITE commands. |
| DQ0-3(x4), DQ0-7(x8), DQ0-15(x16) | Input / Output | Data In and Data out are referenced to the rising edge of CLK. |
| DQM(x4,x8), DQMU/L(x16) | Input | Din Mask / Output Disable: When DQMU/L is high in burst write, Din for the current cycle is masked. When DQMU/L is high in burst read, Dout is disabled at the next but one cycle. |
| Vdd, Vss | Power Supply | Power Supply for the memory array and peripheral circuitry. |
| VddQ, VssQ | Power Supply | VddQ and VssQ are supplied to the Output Buffers only. |



64M bit Synchronous DRAM

M2V64S20BTP-7,-7L,-8,-8L,-8A,-10,-10L (4-BANK x 4194304-WORD x 4-BIT)

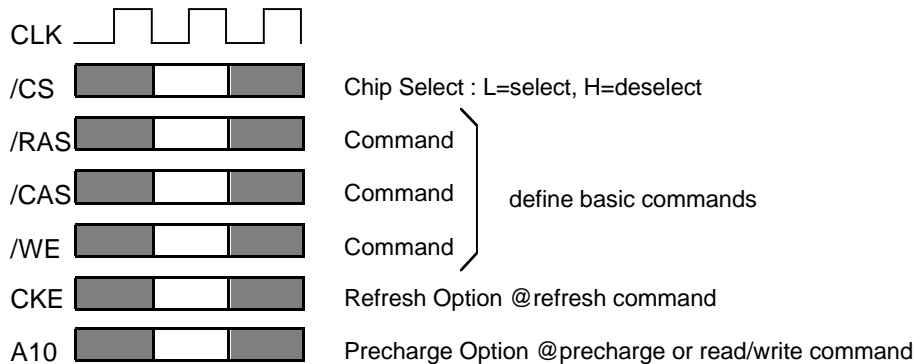
M2V64S30BTP-7,-7L,-8,-8L,-8A,-10,-10L (4-BANK x 2097152-WORD x 8-BIT)

M2V64S40BTP-7,-7L,-8,-8L,-8A,-10,-10L (4-BANK x 1048576-WORD x 16-BIT)

BASIC FUNCTIONS

The M2V64S20(30,40)BTP provides basic functions, bank (row) activate, burst read / write, bank (row) precharge, and auto / self refresh.

Each command is defined by control signals of /RAS, /CAS and /WE at CLK rising edge. In addition to 3 signals, /CS, CKE and A10 are used as chip select, refresh option, and precharge option, respectively. To know the detailed definition of commands, please see the command truth table.

**Activate (ACT) [/RAS =L, /CAS =/WE =H]**

ACT command activates a row in an idle bank indicated by BA.

Read (READ) [/RAS =H, /CAS =L, /WE =H]

READ command starts burst read from the active bank indicated by BA. First output data appears after /CAS latency. When A10 =H at this command, the bank is deactivated after the burst read (auto-precharge, **READA**).

Write (WRITE) [/RAS =H, /CAS =/WE =L]

WRITE command starts burst write to the active bank indicated by BA. Total data length to be written is set by burst length. When A10 =H at this command, the bank is deactivated after the burst write (auto-precharge, **WRITEA**).

Precharge (PRE) [/RAS =L, /CAS =H, /WE =L]

PRE command deactivates the active bank indicated by BA. This command also terminates burst read /write operation. When A10 =H at this command, both banks are deactivated (precharge all, **PREA**).

Auto-Refresh (REFA) [/RAS =/CAS =L, /WE =CKE =H]

REFA command starts auto-refresh cycle. Refresh address including bank address are generated inter-nally. After this command, the banks are precharged automatically.

Apr. '99

64M bit Synchronous DRAM

M2V64S20BTP-7,-7L,-8,-8L,-8A,-10,-10L (4-BANK x 4194304-WORD x 4-BIT)

M2V64S30BTP-7,-7L,-8,-8L,-8A,-10,-10L (4-BANK x 2097152-WORD x 8-BIT)

M2V64S40BTP-7,-7L,-8,-8L,-8A,-10,-10L (4-BANK x 1048576-WORD x 16-BIT)

COMMAND TRUTH TABLE

| COMMAND | MNEMONIC | CKE _{n-1} | CKE _n | /CS | /RAS | /CAS | /WE | BA0,1 | A11 | A10 | A0-9 |
|--|----------|--------------------|------------------|-----|------|------|-----|-------|-----|-----|------|
| Deselect | DESEL | H | X | H | X | X | X | X | X | X | X |
| No Operation | NOP | H | X | L | H | H | H | X | X | X | X |
| Row Address Entry & Bank Activate | ACT | H | X | L | L | H | H | V | V | V | V |
| Single Bank Precharge | PRE | H | X | L | L | H | L | V | X | L | X |
| Precharge All Banks | PREA | H | X | L | L | H | L | X | X | H | X |
| Column Address Entry & Write | WRITE | H | X | L | H | L | L | V | X | L | V |
| Column Address Entry & Write with Auto-Precharge | WRITEA | H | X | L | H | L | L | V | X | H | V |
| Column Address Entry & Read | READ | H | X | L | H | L | H | V | X | L | V |
| Column Address Entry & Read with Auto-Precharge | READA | H | X | L | H | L | H | V | X | H | V |
| Auto-Refresh | REFA | H | H | L | L | L | H | X | X | X | X |
| Self-Refresh Entry | REFS | H | L | L | L | L | H | X | X | X | X |
| Self-Refresh Exit | REFSX | L | H | H | X | X | X | X | X | X | X |
| | | L | H | L | H | H | H | X | X | X | X |
| Burst Terminate | TBST | H | X | L | H | H | L | X | X | X | X |
| Mode Register Set | MRS | H | X | L | L | L | L | L | L | L | V*1 |

H=High Level, L=Low Level, V=Valid, X=Don't Care, n=CLK cycle number

NOTE:

1. A7-A9 =0, A0-A6 =Mode Address



Apr. '99

64M bit Synchronous DRAM

M2V64S20BTP-7,-7L,-8,-8L,-8A,-10,-10L (4-BANK x 4194304-WORD x 4-BIT)

M2V64S30BTP-7,-7L,-8,-8L,-8A,-10,-10L (4-BANK x 2097152-WORD x 8-BIT)

M2V64S40BTP-7,-7L,-8,-8L,-8A,-10,-10L (4-BANK x 1048576-WORD x 16-BIT)

FUNCTION TRUTH TABLE

| Current State | /CS | /RAS | /CAS | /WE | Address | Command | Action |
|---------------|-----|------|------|-----|----------------------|-------------------|---|
| IDLE | H | X | X | X | X | DESEL | NOP |
| | L | H | H | H | X | NOP | NOP |
| | L | H | H | L | BA | TBST | ILLEGAL*2 |
| | L | H | L | X | BA, CA, A10 | READ / WRITE | ILLEGAL*2 |
| | L | L | H | H | BA, RA | ACT | Bank Active, Latch RA |
| | L | L | H | L | BA, A10 | PRE / PREA | NOP*4 |
| | L | L | L | H | X | REFA | Auto-Refresh*5 |
| | L | L | L | L | Op-Code, Mode-Add | MRS | Mode Register Set*5 |
| ROW ACTIVE | H | X | X | X | X | DESEL | NOP |
| | L | H | H | H | X | NOP | NOP |
| | L | H | H | L | BA | TBST | NOP |
| | L | H | L | H | BA, CA, A10 | READ / READA | Begin Read, Latch CA, Determine Auto-Precharge |
| | L | H | L | L | BA, CA, A10 | WRITE / WRITEA | Begin Write, Latch CA, Determine Auto-Precharge |
| | L | L | H | H | BA, RA | ACT | Bank Active / ILLEGAL*2 |
| | L | L | H | L | BA, A10 | PRE / PREA | Precharge / Precharge All |
| | L | L | L | H | X | REFA | ILLEGAL |
| | L | L | L | L | Op-Code, Mode-Add | MRS | ILLEGAL |
| READ | H | X | X | X | X | DESEL | NOP (Continue Burst to END) |
| | L | H | H | H | X | NOP | NOP (Continue Burst to END) |
| | L | H | H | L | BA | TBST | Terminate Burst |
| | L | H | L | H | BA, CA, A10 | READ / READA | Terminate Burst, Latch CA, Begin New Read, Determine Auto-Precharge*3 |
| | L | H | L | L | BA, CA, A10 | WRITE / WRITEA | Terminate Burst, Latch CA, Begin Write, Determine Auto- Precharge*3 |
| | L | L | H | H | BA, RA | ACT | Bank Active / ILLEGAL*2 |
| | L | L | H | L | BA, A10 | PRE / PREA | Terminate Burst, Precharge |
| | L | L | L | H | X | REFA | ILLEGAL |
| | L | L | L | L | Op-Code, Mode-Add | MRS | ILLEGAL |



Apr. '99

64M bit Synchronous DRAM

M2V64S20BTP-7,-7L,-8,-8L,-8A,-10,-10L (4-BANK x 4194304-WORD x 4-BIT)

M2V64S30BTP-7,-7L,-8,-8L,-8A,-10,-10L (4-BANK x 2097152-WORD x 8-BIT)

M2V64S40BTP-7,-7L,-8,-8L,-8A,-10,-10L (4-BANK x 1048576-WORD x 16-BIT)

FUNCTION TRUTH TABLE (continued)

| Current State | /CS | /RAS | /CAS | /WE | Address | Command | Action |
|---------------------------------|-----|------|------|-----|-------------------|----------------|--|
| WRITE | H | X | X | X | X | DESEL | NOP (Continue Burst to END) |
| | L | H | H | H | X | NOP | NOP (Continue Burst to END) |
| | L | H | H | L | BA | TBST | Terminate Burst |
| | L | H | L | H | BA, CA, A10 | READ / READA | Terminate Burst, Latch CA, Begin Read, Determine Auto-Precharge*3 |
| | L | H | L | L | BA, CA, A10 | WRITE / WRITEA | Terminate Burst, Latch CA, Begin Write, Determine Auto-Precharge*3 |
| | L | L | H | H | BA, RA | ACT | Bank Active / ILLEGAL*2 |
| | L | L | H | L | BA, A10 | PRE / PREA | Terminate Burst, Precharge |
| | L | L | L | H | X | REFA | ILLEGAL |
| | L | L | L | L | Op-Code, Mode-Add | MRS | ILLEGAL |
| READ with AUTO PRECHARGE | H | X | X | X | X | DESEL | NOP (Continue Burst to END) |
| | L | H | H | H | X | NOP | NOP (Continue Burst to END) |
| | L | H | H | L | BA | TBST | ILLEGAL |
| | L | H | L | H | BA, CA, A10 | READ / READA | ILLEGAL |
| | L | H | L | L | BA, CA, A10 | WRITE / WRITEA | ILLEGAL |
| | L | L | H | H | BA, RA | ACT | Bank Active / ILLEGAL*2 |
| | L | L | H | L | BA, A10 | PRE / PREA | ILLEGAL*2 |
| | L | L | L | H | X | REFA | ILLEGAL |
| | L | L | L | L | Op-Code, Mode-Add | MRS | ILLEGAL |
| WRITE with AUTO PRECHARGE | H | X | X | X | X | DESEL | NOP (Continue Burst to END) |
| | L | H | H | H | X | NOP | NOP (Continue Burst to END) |
| | L | H | H | L | BA | TBST | ILLEGAL |
| | L | H | L | H | BA, CA, A10 | READ / READA | ILLEGAL |
| | L | H | L | L | BA, CA, A10 | WRITE / WRITEA | ILLEGAL |
| | L | L | H | H | BA, RA | ACT | Bank Active / ILLEGAL*2 |
| | L | L | H | L | BA, A10 | PRE / PREA | ILLEGAL*2 |
| | L | L | L | H | X | REFA | ILLEGAL |
| | L | L | L | L | Op-Code, Mode-Add | MRS | ILLEGAL |

Apr. '99

64M bit Synchronous DRAM

M2V64S20BTP-7,-7L,-8,-8L,-8A,-10,-10L (4-BANK x 4194304-WORD x 4-BIT)

M2V64S30BTP-7,-7L,-8,-8L,-8A,-10,-10L (4-BANK x 2097152-WORD x 8-BIT)

M2V64S40BTP-7,-7L,-8,-8L,-8A,-10,-10L (4-BANK x 1048576-WORD x 16-BIT)

FUNCTION TRUTH TABLE (continued)

| Current State | /CS | /RAS | /CAS | /WE | Address | Command | Action |
|-----------------------|-----|------|------|-----|----------------------|--------------|-----------------------------|
| PRE - CHARGING | H | X | X | X | X | DESEL | NOP (Idle after tRP) |
| | L | H | H | H | X | NOP | NOP (Idle after tRP) |
| | L | H | H | L | BA | TBST | ILLEGAL*2 |
| | L | H | L | X | BA, CA, A10 | READ / WRITE | ILLEGAL*2 |
| | L | L | H | H | BA, RA | ACT | ILLEGAL*2 |
| | L | L | H | L | BA, A10 | PRE / PREA | NOP*4 (Idle after tRP) |
| | L | L | L | H | X | REFA | ILLEGAL |
| | L | L | L | L | Op-Code, Mode-Add | MRS | ILLEGAL |
| ROW ACTIVATING | H | X | X | X | X | DESEL | NOP (Row Active after tRCD) |
| | L | H | H | H | X | NOP | NOP (Row Active after tRCD) |
| | L | H | H | L | BA | TBST | ILLEGAL*2 |
| | L | H | L | X | BA, CA, A10 | READ / WRITE | ILLEGAL*2 |
| | L | L | H | H | BA, RA | ACT | ILLEGAL*2 |
| | L | L | H | L | BA, A10 | PRE / PREA | ILLEGAL*2 |
| | L | L | L | H | X | REFA | ILLEGAL |
| | L | L | L | L | Op-Code, Mode-Add | MRS | ILLEGAL |
| WRITE RE- COVERING | H | X | X | X | X | DESEL | NOP |
| | L | H | H | H | X | NOP | NOP |
| | L | H | H | L | BA | TBST | ILLEGAL*2 |
| | L | H | L | X | BA, CA, A10 | READ / WRITE | ILLEGAL*2 |
| | L | L | H | H | BA, RA | ACT | ILLEGAL*2 |
| | L | L | H | L | BA, A10 | PRE / PREA | ILLEGAL*2 |
| | L | L | L | H | X | REFA | ILLEGAL |
| | L | L | L | L | Op-Code, Mode-Add | MRS | ILLEGAL |



64M bit Synchronous DRAM

M2V64S20BTP-7,-7L,-8,-8L,-8A,-10,-10L (4-BANK x 4194304-WORD x 4-BIT)

M2V64S30BTP-7,-7L,-8,-8L,-8A,-10,-10L (4-BANK x 2097152-WORD x 8-BIT)

M2V64S40BTP-7,-7L,-8,-8L,-8A,-10,-10L (4-BANK x 1048576-WORD x 16-BIT)

FUNCTION TRUTH TABLE (continued)

| Current State | /CS | /RAS | /CAS | /WE | Address | Command | Action |
|-----------------------|-----|------|------|-----|----------------------|--------------|-----------------------|
| RE-FRESHING | H | X | X | X | X | DESEL | NOP (Idle after tRC) |
| | L | H | H | H | X | NOP | NOP (Idle after tRC) |
| | L | H | H | L | BA | TBST | ILLEGAL |
| | L | H | L | X | BA, CA, A10 | READ / WRITE | ILLEGAL |
| | L | L | H | H | BA, RA | ACT | ILLEGAL |
| | L | L | H | L | BA, A10 | PRE / PREA | ILLEGAL |
| | L | L | L | H | X | REFA | ILLEGAL |
| | L | L | L | L | Op-Code, Mode-Add | MRS | ILLEGAL |
| MODE REGISTER SETTING | H | X | X | X | X | DESEL | NOP (Idle after tRSC) |
| | L | H | H | H | X | NOP | NOP (Idle after tRSC) |
| | L | H | H | L | BA | TBST | ILLEGAL |
| | L | H | L | X | BA, CA, A10 | READ / WRITE | ILLEGAL |
| | L | L | H | H | BA, RA | ACT | ILLEGAL |
| | L | L | H | L | BA, A10 | PRE / PREA | ILLEGAL |
| | L | L | L | H | X | REFA | ILLEGAL |
| | L | L | L | L | Op-Code, Mode-Add | MRS | ILLEGAL |

ABBREVIATIONS:

H=High Level, L=Low Level, X=Don't Care

BA=Bank Address, RA=Row Address, CA=Column Address, NOP=No Operation

NOTES:

1. All entries assume that CKE was High during the preceding clock cycle and the current clock cycle.
2. ILLEGAL to bank in specified state; function may be legal in the bank indicated by BA, depending on the state of that bank.
3. Must satisfy bus contention, bus turn around, write recovery requirements.
4. NOP to bank precharging or in idle state. May precharge bank indicated by BA.
5. ILLEGAL if any bank is not idle.

ILLEGAL = Device operation and/or data-integrity are not guaranteed.



64M bit Synchronous DRAM

M2V64S20BTP-7,-7L,-8,-8L,-8A,-10,-10L (4-BANK x 4194304-WORD x 4-BIT)

M2V64S30BTP-7,-7L,-8,-8L,-8A,-10,-10L (4-BANK x 2097152-WORD x 8-BIT)

M2V64S40BTP-7,-7L,-8,-8L,-8A,-10,-10L (4-BANK x 1048576-WORD x 16-BIT)

FUNCTION TRUTH TABLE for CKE

| Current State | CKE _{n-1} | CKE _n | /CS | /RAS | /CAS | /WE | Add | Action |
|-----------------------------------|--------------------|------------------|-----|------|------|-----|-----|------------------------------------|
| SELF-REFRESH*1 | H | X | X | X | X | X | X | INVALID |
| | L | H | H | X | X | X | X | Exit Self-Refresh (Idle after tRC) |
| | L | H | L | H | H | H | X | Exit Self-Refresh (Idle after tRC) |
| | L | H | L | H | H | L | X | ILLEGAL |
| | L | H | L | H | L | X | X | ILLEGAL |
| | L | H | L | L | X | X | X | ILLEGAL |
| | L | L | X | X | X | X | X | NOP (Maintain Self-Refresh) |
| POWER DOWN | H | X | X | X | X | X | X | INVALID |
| | L | H | X | X | X | X | X | Exit Power Down to Idle |
| | L | L | X | X | X | X | X | NOP (Maintain Self-Refresh) |
| ALL BANKS IDLE*2 | H | H | X | X | X | X | X | Refer to Function Truth Table |
| | H | L | L | L | L | H | X | Enter Self-Refresh |
| | H | L | H | X | X | X | X | Enter Power Down |
| | H | L | L | H | H | H | X | Enter Power Down |
| | H | L | L | H | H | L | X | ILLEGAL |
| | H | L | L | H | L | X | X | ILLEGAL |
| | H | L | L | L | X | X | X | ILLEGAL |
| | L | X | X | X | X | X | X | Refer to Current State =Power Down |
| ANY STATE other than listed above | H | H | X | X | X | X | X | Refer to Function Truth Table |
| | H | L | X | X | X | X | X | Begin CLK Suspend at Next Cycle*3 |
| | L | H | X | X | X | X | X | Exit CLK Suspend at Next Cycle*3 |
| | L | L | X | X | X | X | X | Maintain CLK Suspend |

ABBREVIATIONS:

H=High Level, L=Low Level, X=Don't Care

NOTES:

1. CKE Low to High transition will re-enable CLK and other inputs **asynchronously**. A minimum setup time must be satisfied before any command other than EXIT.
2. Power-Down and Self-Refresh can be entered only from the All Banks Idle State.
3. Must be legal command.



POWER ON SEQUENCE

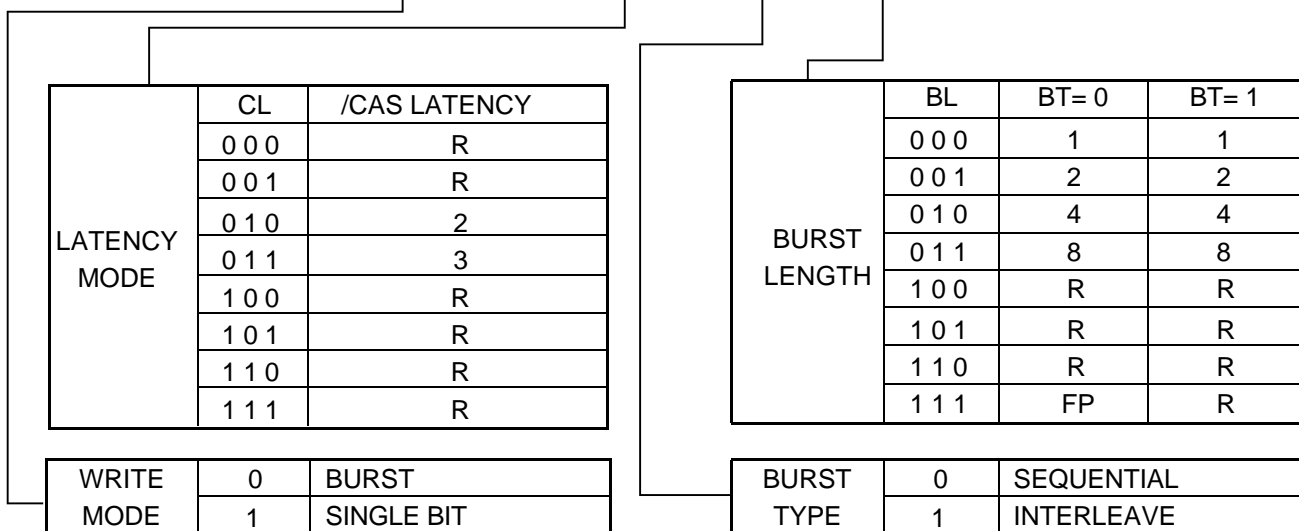
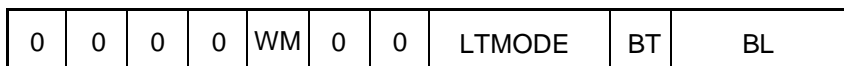
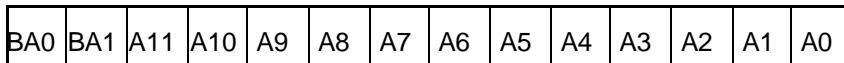
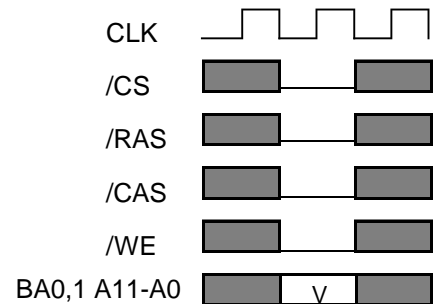
Before starting normal operation, the following power on sequence is necessary to prevent a SDRAM from damaged or malfunctioning.

1. Clock will be applied at power up along with power. Attempt to maintain CKE high, DQM (x4,x8), DQMU/L (x16) high and NOP condition at the inputs along with power.
2. Maintain stable power, stable clock, and NOP input conditions for a minimum of 200us.
3. Issue precharge commands for all banks. (PRE or PREA)
4. After all banks become idle state (after tRP), issue 8 or more auto-refresh commands.
5. Issue a mode register set command to initialize the mode register.

After these sequence, the SDRAM is idle state and ready for normal operation.

MODE REGISTER

Burst Length, Burst Type and /CAS Latency can be programmed by setting the mode register (MRS). The mode register stores these data until the next MRS command, which may be issued when both banks are in idle state. After tRSC from a MRS command, the SDRAM is ready for new command.

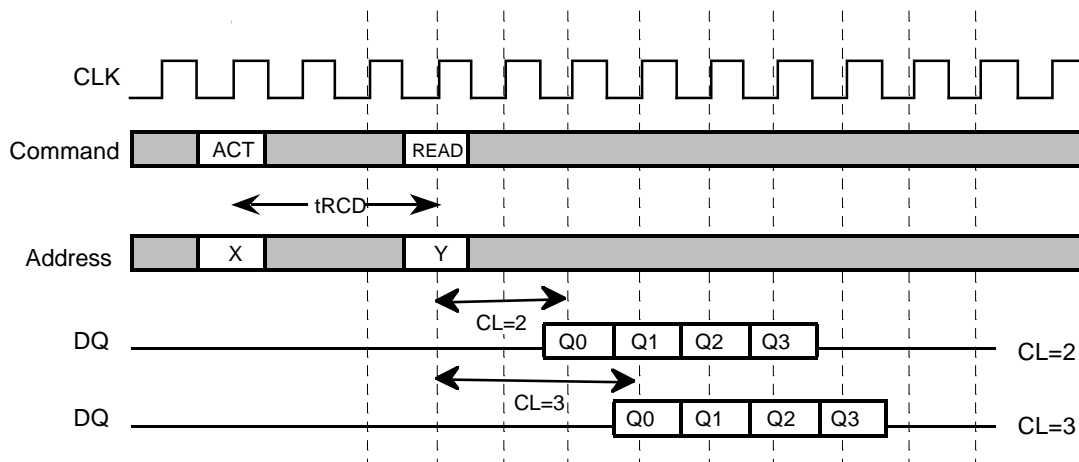


R: Reserved for Future Use
FP: Full Page

[/CAS LATENCY]

/CAS latency, CL, is used to synchronize the first output data with the CLK frequency, i.e., the speed of CLK determines which CL should be used. First output data is available after CL cycles from READ command.

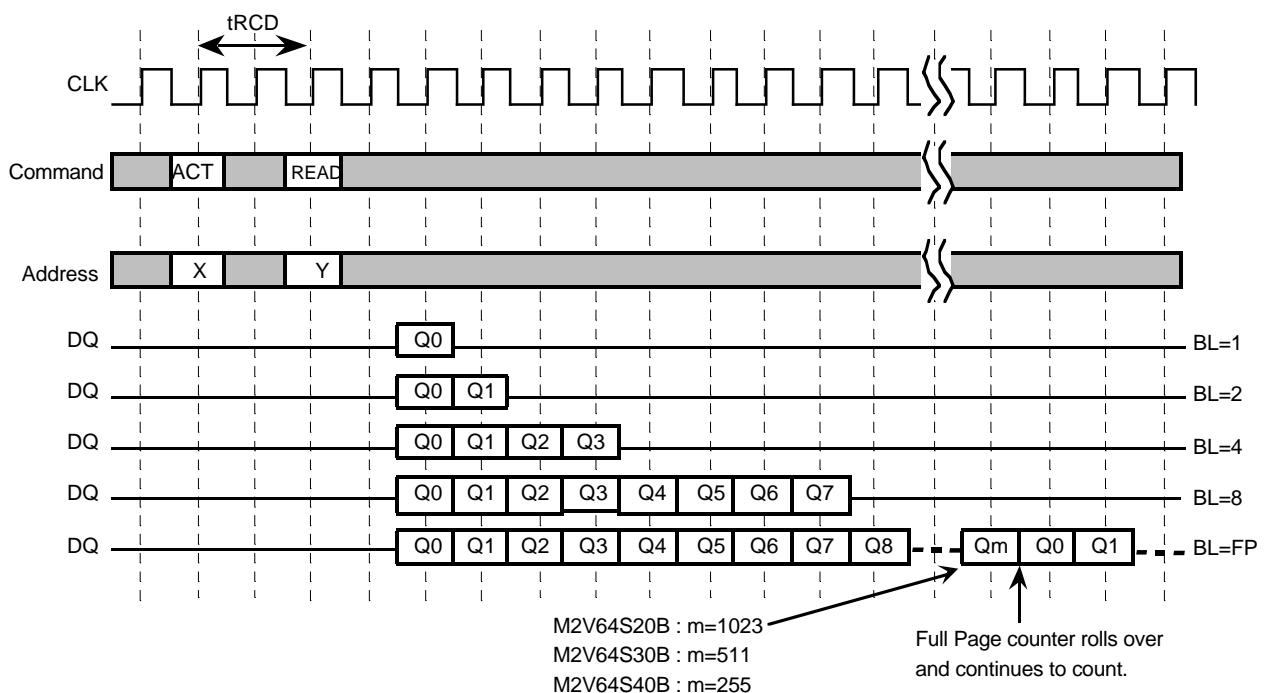
/CAS Latency Timing(BL=4)

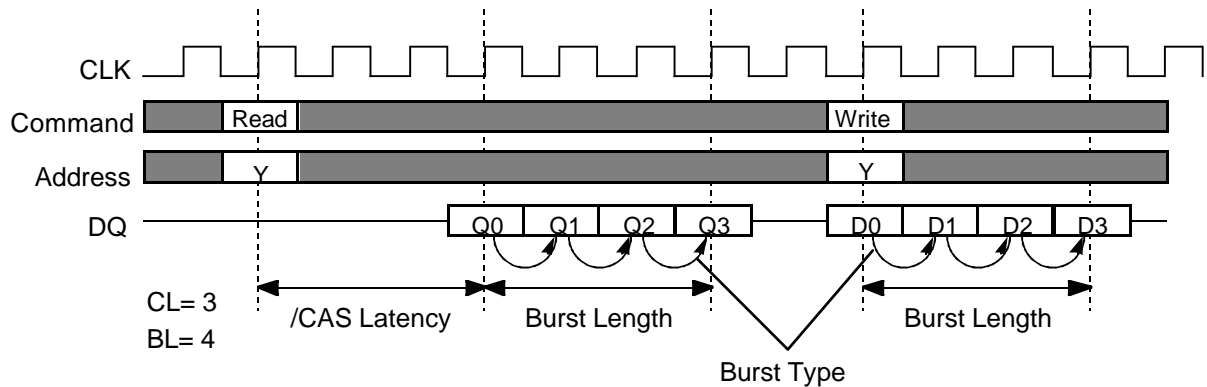


[BURST LENGTH]

The burst length, BL, determines the number of consecutive writes or reads that will be automatically performed after the initial write or read command. For BL=1,2,4,8, full page the output data is tristated (Hi-Z) after the last read. For BL=FP (Full Page), the TBST (Burst Terminate) command should be issued to stop the output of data.

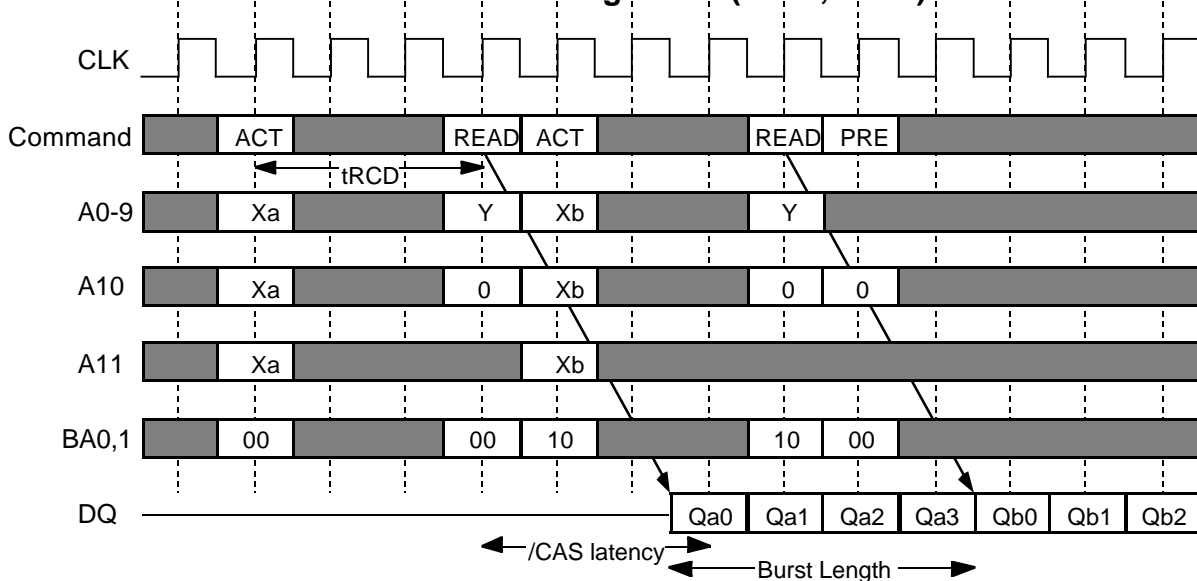
Burst Length Timing(CL=2)



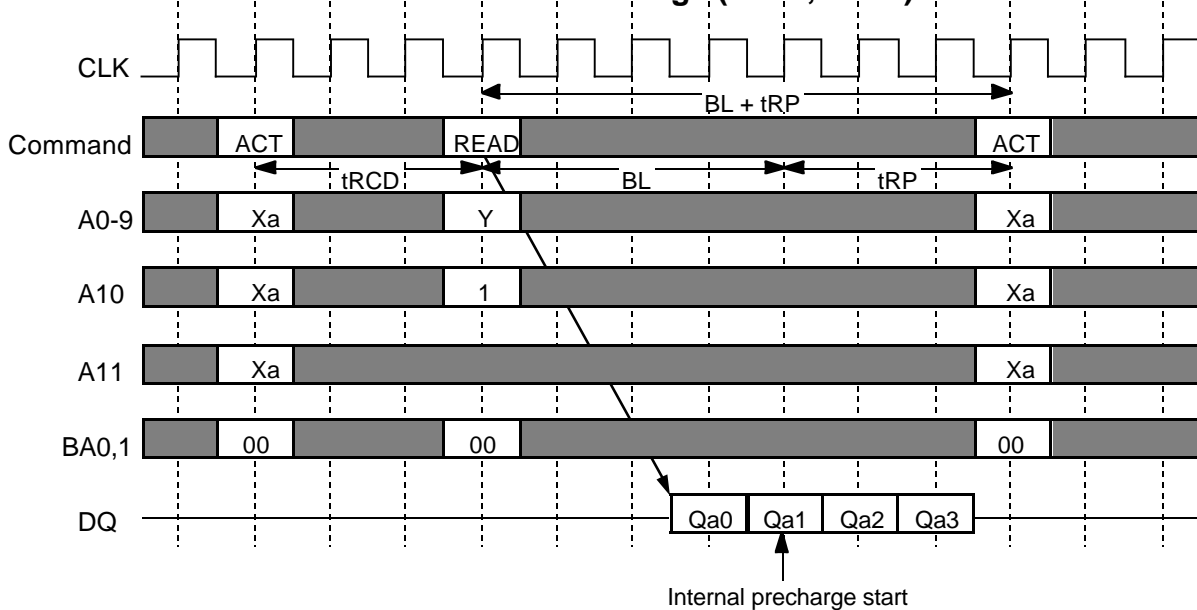


| Initial Address | | | BL | Column Addressing | | | | | | | | | | | | | | | |
|-----------------|----|----|----|-------------------|---|---|---|---|---|---|---|-------------|---|---|---|---|---|---|---|
| A2 | A1 | A0 | | Sequential | | | | | | | | Interleaved | | | | | | | |
| 0 | 0 | 0 | 8 | 0 | 1 | 2 | 3 | 4 | 5 | 6 | 7 | 0 | 1 | 2 | 3 | 4 | 5 | 6 | 7 |
| 0 | 0 | 1 | | 1 | 2 | 3 | 4 | 5 | 6 | 7 | 0 | 1 | 0 | 3 | 2 | 5 | 4 | 7 | 6 |
| 0 | 1 | 0 | | 2 | 3 | 4 | 5 | 6 | 7 | 0 | 1 | 2 | 3 | 0 | 1 | 6 | 7 | 4 | 5 |
| 0 | 1 | 1 | | 3 | 4 | 5 | 6 | 7 | 0 | 1 | 2 | 3 | 2 | 1 | 0 | 7 | 6 | 5 | 4 |
| 1 | 0 | 0 | | 4 | 5 | 6 | 7 | 0 | 1 | 2 | 3 | 4 | 5 | 6 | 7 | 0 | 1 | 2 | 3 |
| 1 | 0 | 1 | | 5 | 6 | 7 | 0 | 1 | 2 | 3 | 4 | 5 | 4 | 7 | 6 | 1 | 0 | 3 | 2 |
| 1 | 1 | 0 | | 6 | 7 | 0 | 1 | 2 | 3 | 4 | 5 | 6 | 7 | 4 | 5 | 2 | 3 | 0 | 1 |
| 1 | 1 | 1 | | 7 | 0 | 1 | 2 | 3 | 4 | 5 | 6 | 7 | 6 | 5 | 4 | 3 | 2 | 1 | 0 |
| - | 0 | 0 | 4 | 0 | 1 | 2 | 3 | | | | | 0 | 1 | 2 | 3 | | | | |
| - | 0 | 1 | | 1 | 2 | 3 | 0 | | | | | 1 | 0 | 3 | 2 | | | | |
| - | 1 | 0 | | 2 | 3 | 0 | 1 | | | | | 2 | 3 | 0 | 1 | | | | |
| - | 1 | 1 | | 3 | 0 | 1 | 2 | | | | | 3 | 2 | 1 | 0 | | | | |
| - | - | 0 | 2 | 0 | 1 | | | | | | | 0 | 1 | | | | | | |
| - | - | 1 | | 1 | 0 | | | | | | | 1 | 0 | | | | | | |

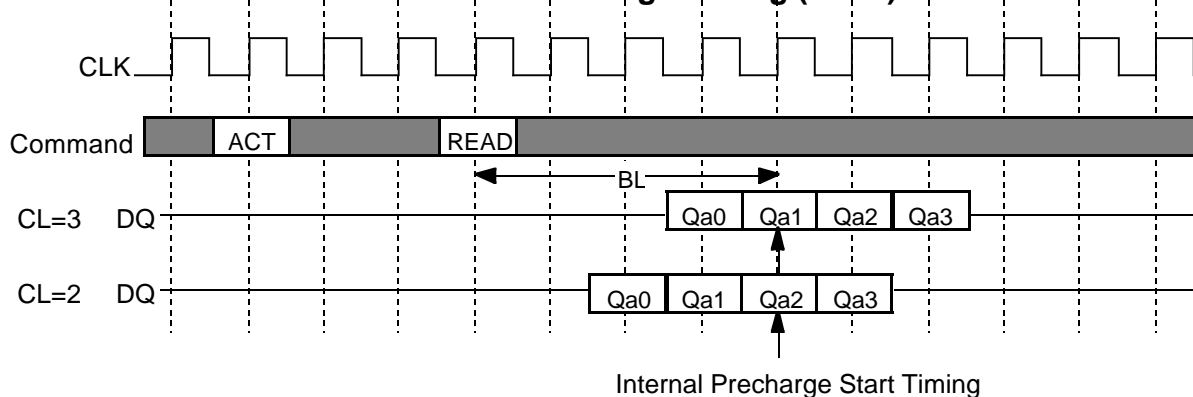
Multi Bank Interleaving READ (BL=4, CL=3)



READ with Auto-Precharge (BL=4, CL=3)

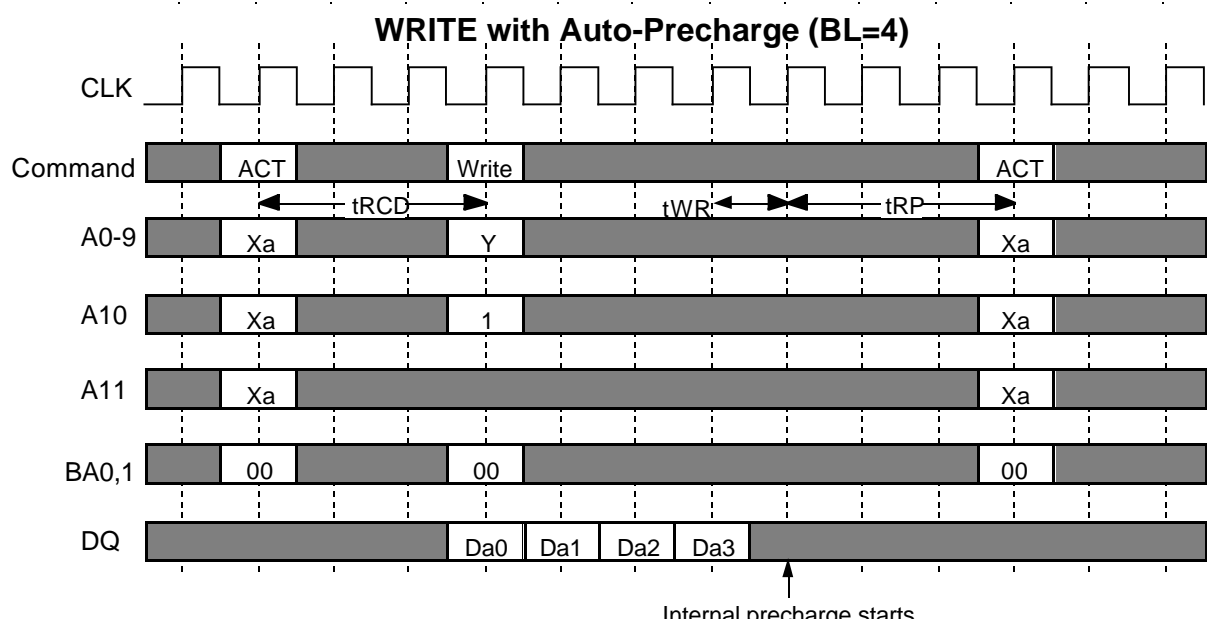
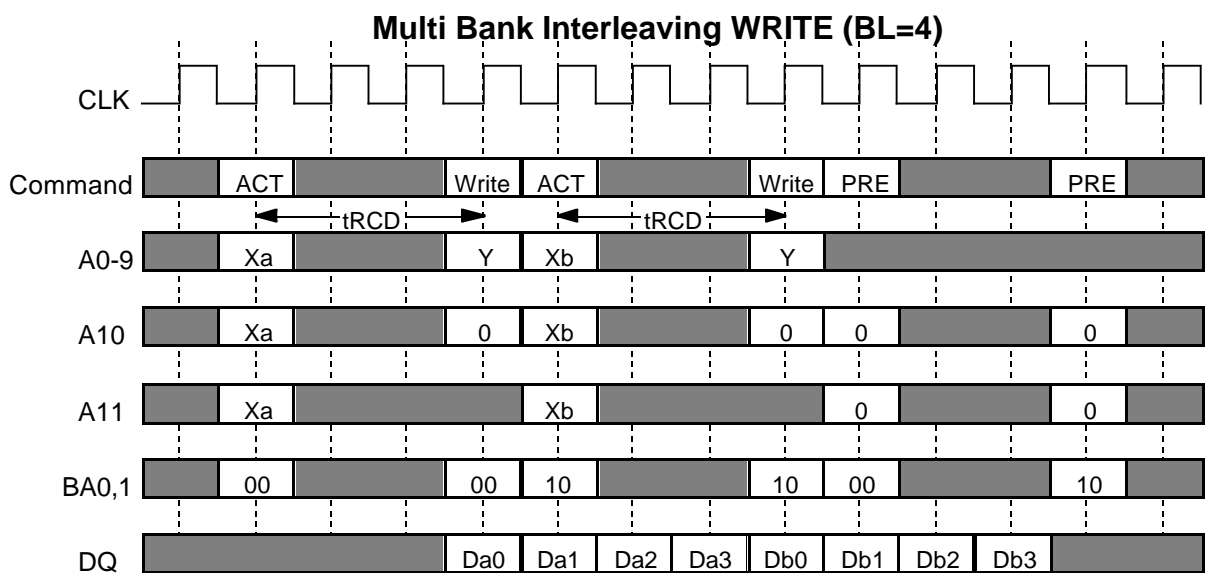


READ Auto-Precharge Timing (BL=4)



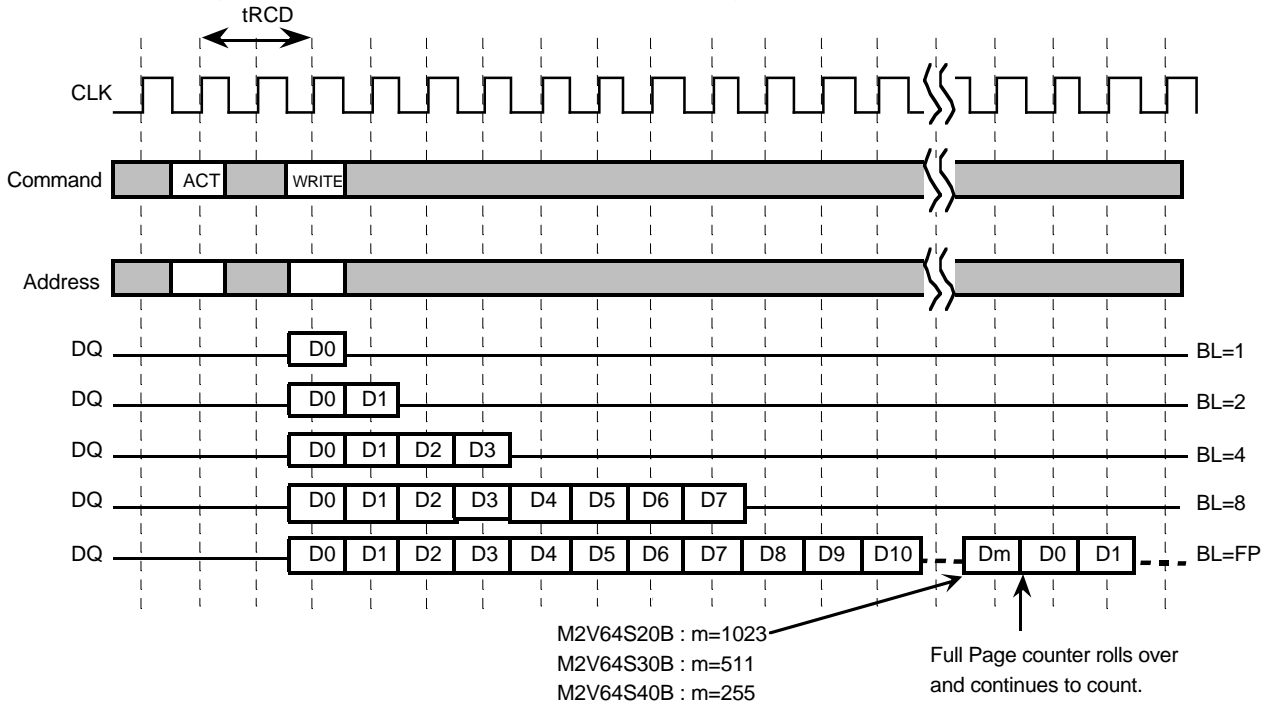
WRITE

After tRCD from the bank activation, a WRITE command can be issued. 1st input data is set at the same cycle as the WRITE. Following (BL - 1) data are written into the RAM, when the Burst Length is BL. The start address is specified by A9-0 (x 4), A8-0 (x 8) and A7-0 (x 16), and the address sequence of burst data is defined by the Burst Type. A WRITE command may be applied to any active bank, so the row precharge time (tRP) can be hidden behind continuous input data by interleaving the multiple banks. From the last input data to the PRE command, the write recovery time (tWR) is required. When A10 is high at a WRITE command, the auto-precharge (WRITEEA) is performed. Any command (READ, WRITE, PRE, ACT) to the same bank is inhibited till the internal precharge is complete. The internal precharge begins at tWR after the last input data cycle. The next ACT command can be issued after tRP from the internal precharge timing. The Mode Register can be programmed for burst read and single write. In this mode the write data is only clocked in when the WRITE command is issued and the remaining burst length is ignored. The read data burst length is unaffected while in this mode



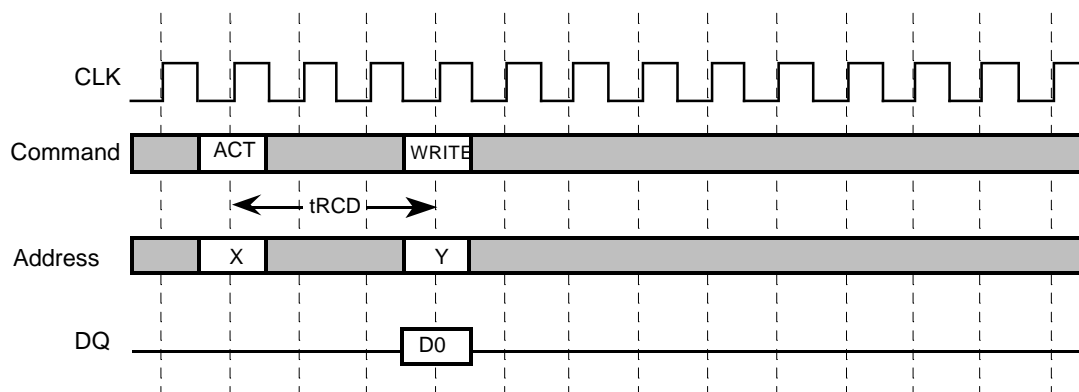
[BURST WRITE]

A burst write operation is enabled by setting A9=0 at MRS. A burst write starts in the same cycle as a write command set. (The latency of data input is 0.) The burst length can be set to 1,2,4,8, and full-page, like burst read operations.



[SINGLE WRITE]

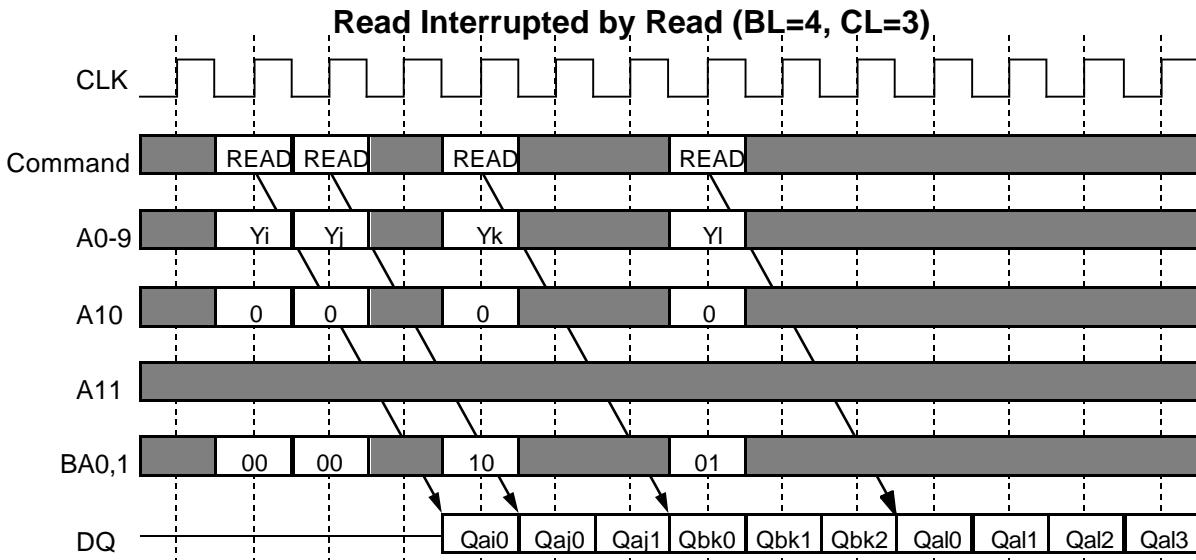
A single write operation is enabled by setting A9=1 at MRS. In a single write operation, data is written only to the column address specified by the write command set cycle without regard to the burst length setting. (The latency of data input is 0.)



BURST INTERRUPTION

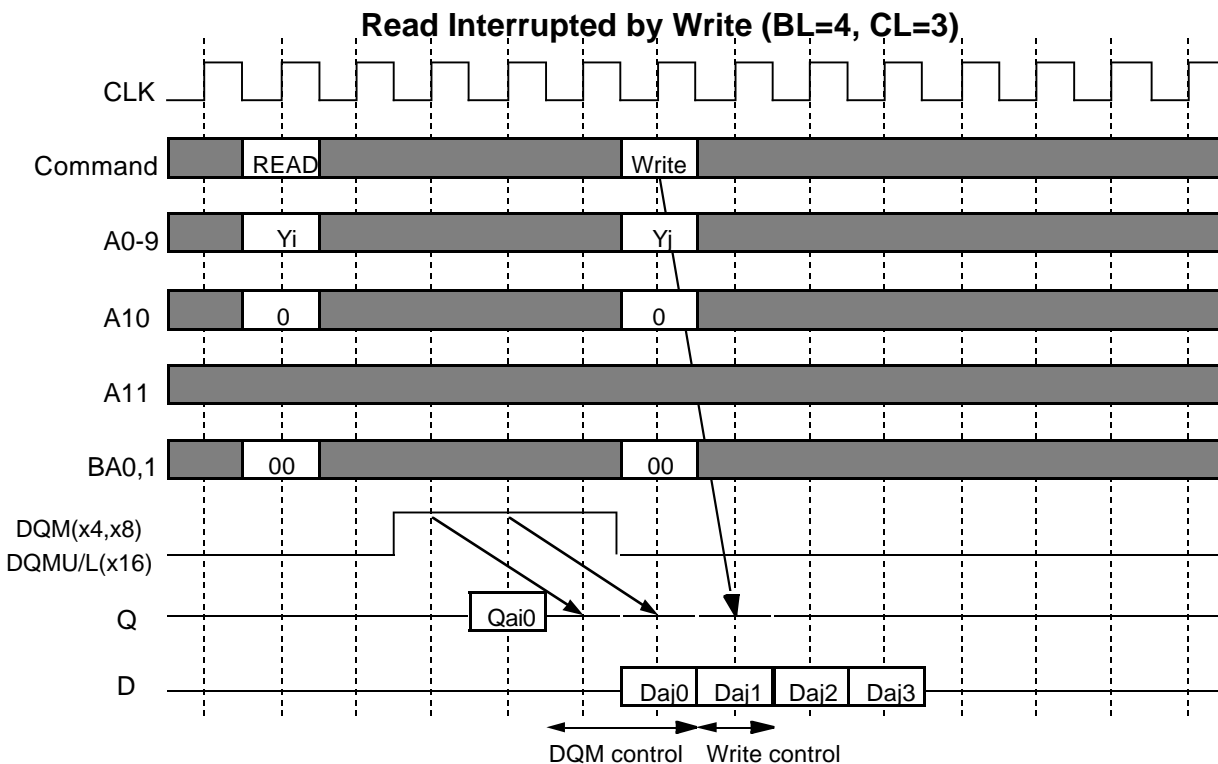
[Read Interrupted by Read]

Burst read operation can be interrupted by new read of any bank. Random column access is allowed. READ to READ interval is minimum 1 CLK.



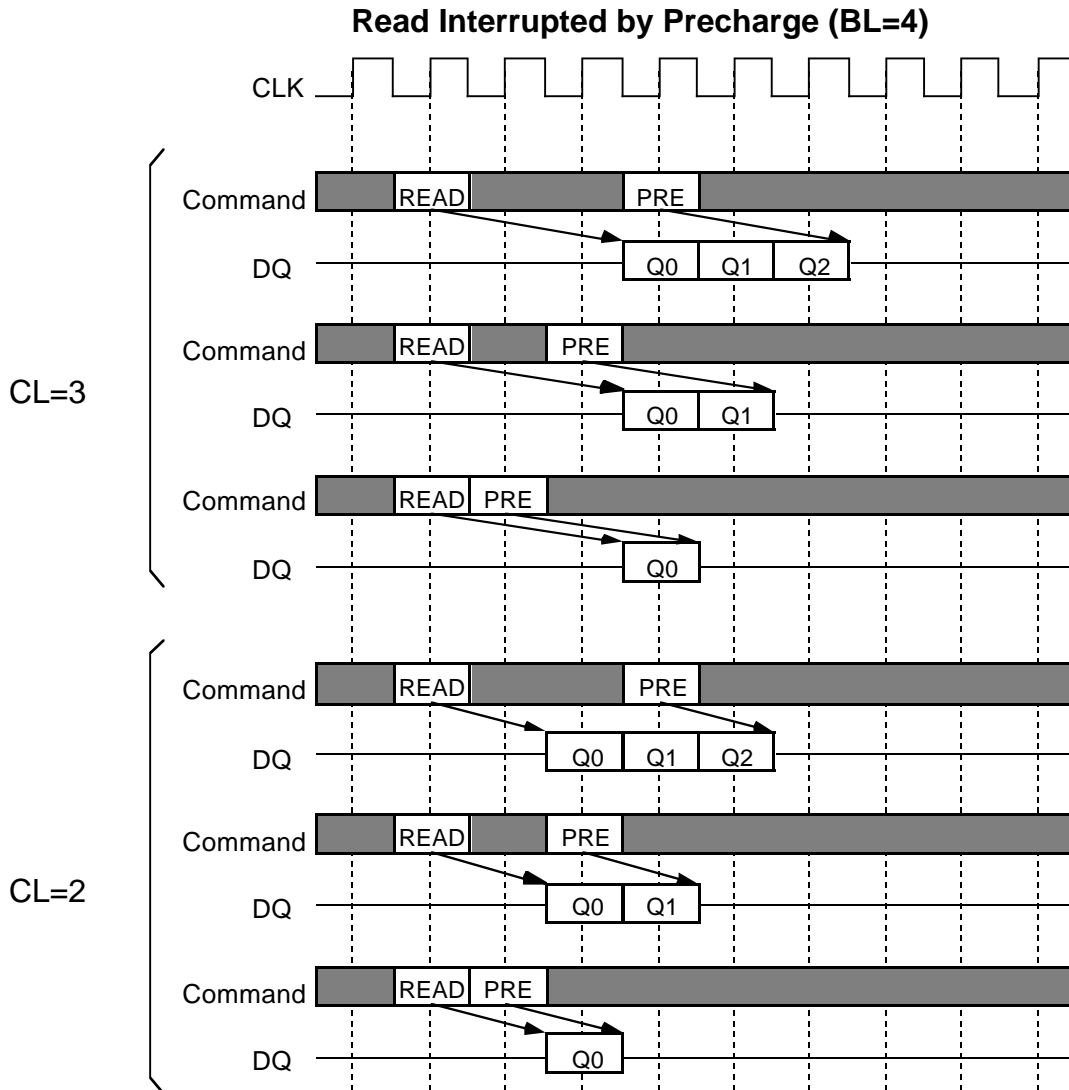
[Read Interrupted by Write]

Burst read operation can be interrupted by write of any bank. Random column access is allowed. In this case, the DQ should be controlled adequately by using the DQM to prevent the bus contention. The output is disabled automatically 1 cycle after WRITE assertion.



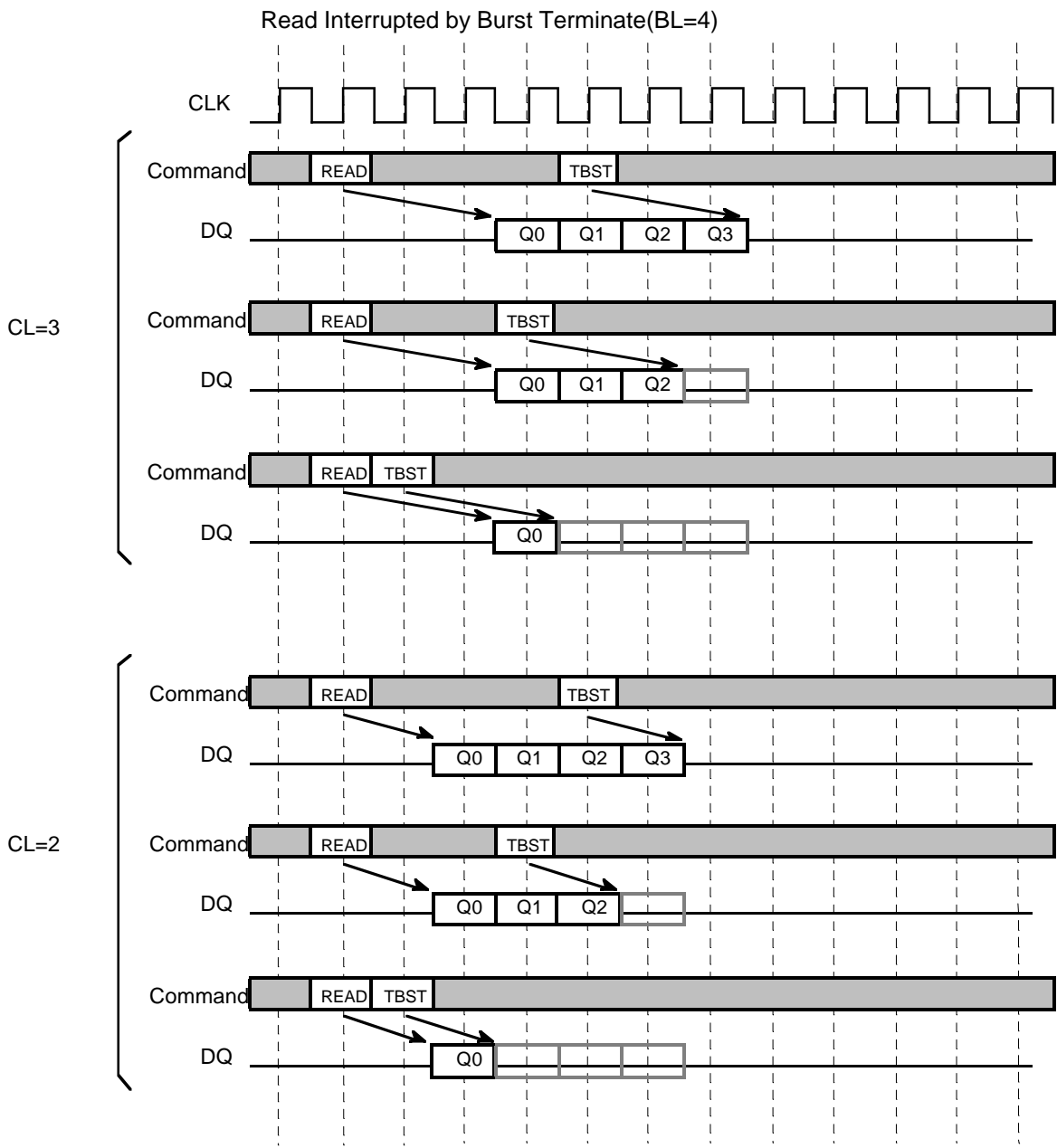
[Read Interrupted by Precharge]

Burst read operation can be interrupted by precharge of *the same bank*. READ to PRE interval is mini-mum 1 CLK. A PRE command to output disable latency is equivalent to the /CAS Latency. As a result, READ to PRE interval determines valid data length to be output. The figure below shows examples of BL=4.



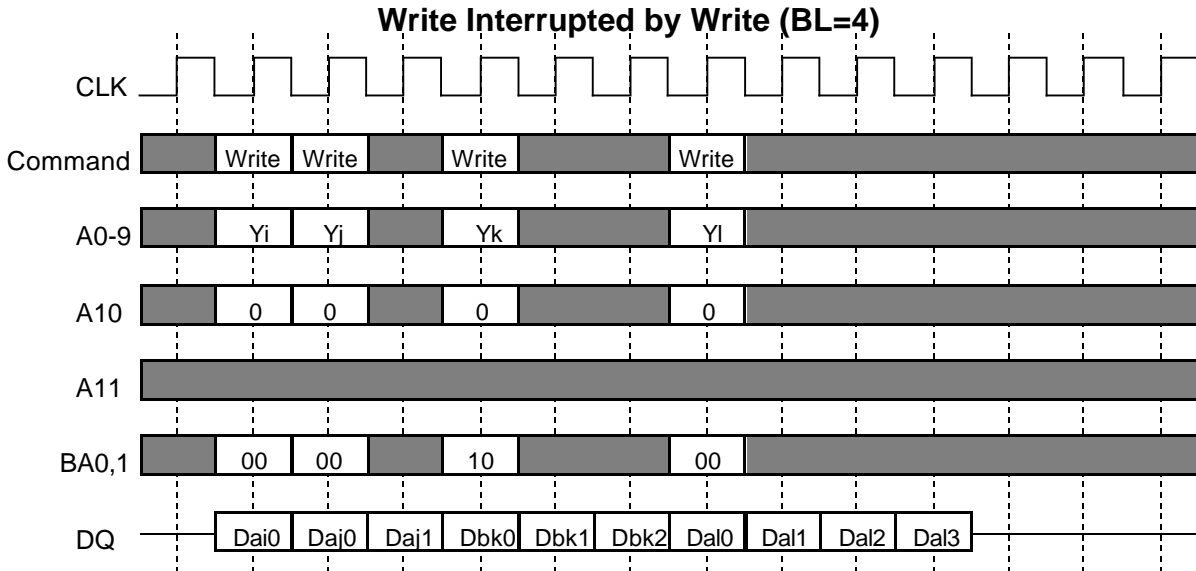
[Read Interrupted by Burst Terminate]

Similar to a precharge, the burst terminate command, TBST, can interrupt the burst read operation and disable the data output. The READ to TBST interval is a minimum of one CLK. TBST is mainly used to interrupt FP bursts. The figures below show examples, of how the output data is terminated with TBST.



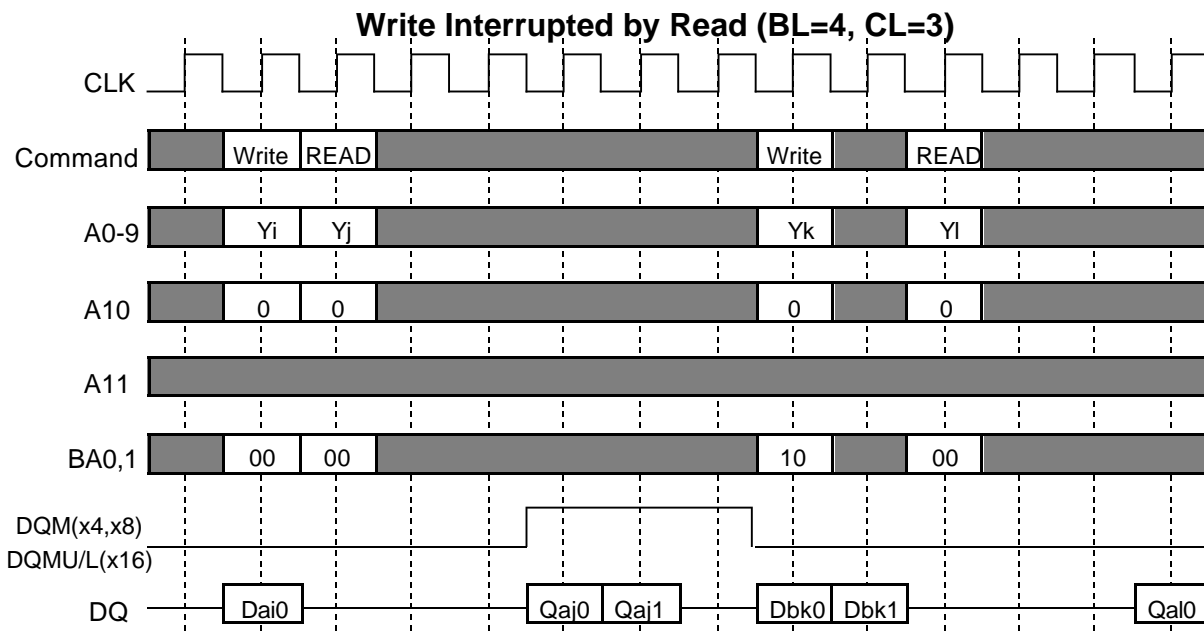
[Write Interrupted by Write]

Burst write operation can be interrupted by new write of any bank. Random column access is allowed. WRITE to WRITE interval is minimum 1 CLK.



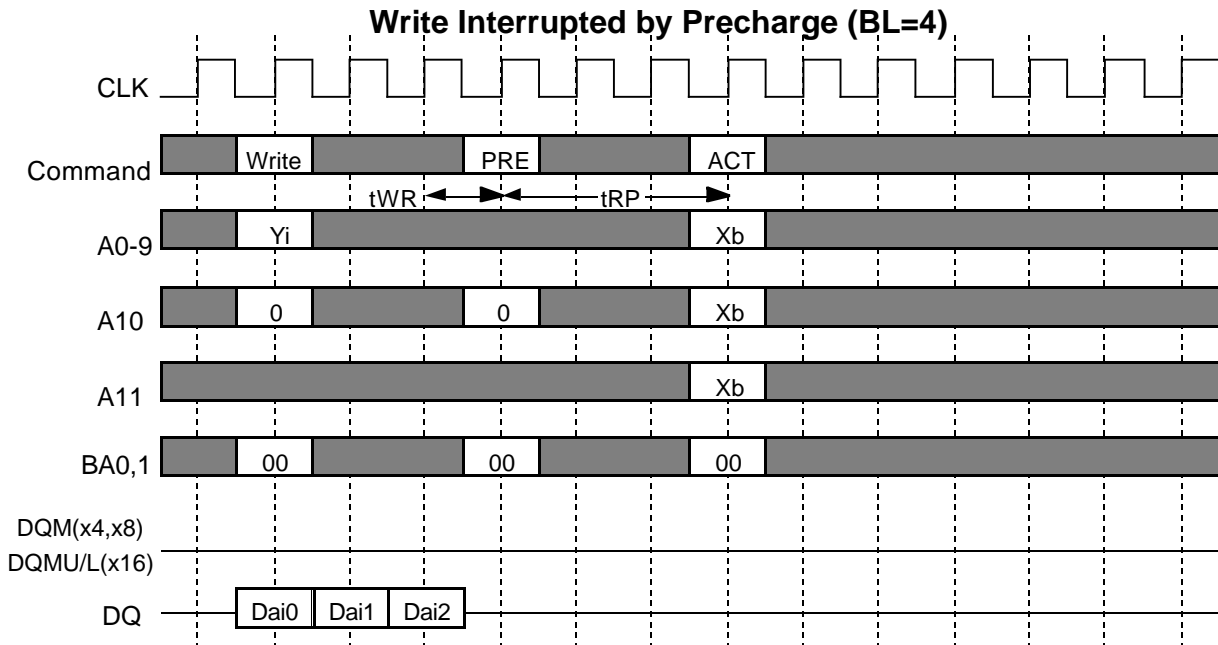
[Write Interrupted by Read]

Burst write operation can be interrupted by read of the same or the other bank. Random column access is allowed. WRITE to READ interval is minimum 1 CLK. The input data on DQ at the interrupting READ cycle is "don't care".



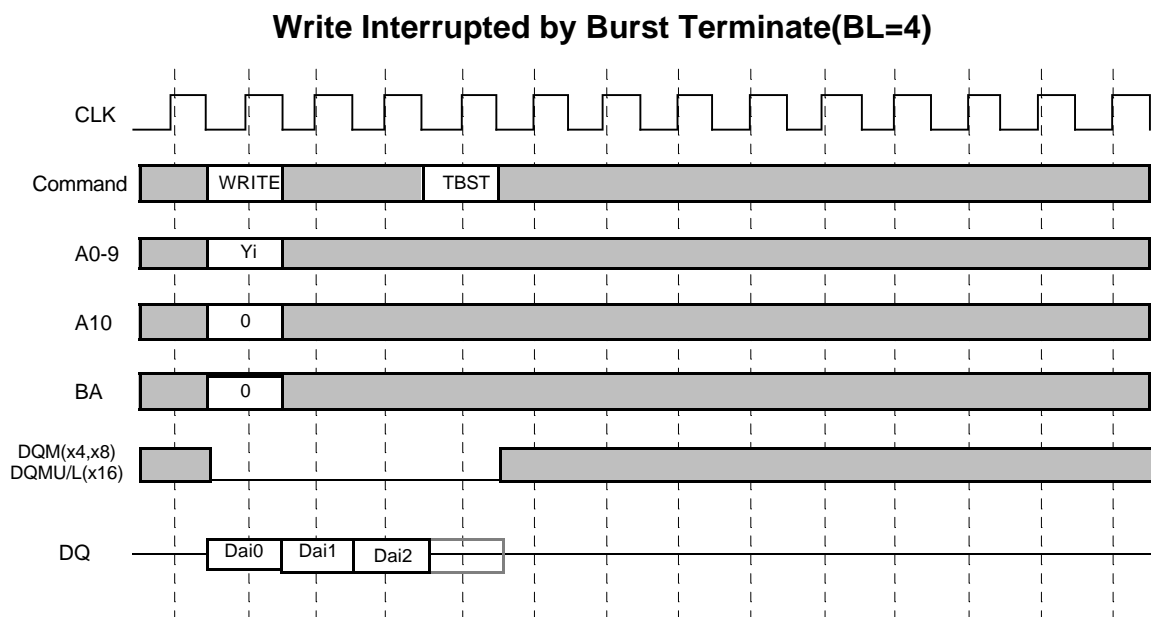
[Write Interrupted by Precharge]

Burst write operation can be interrupted by precharge of *the same bank*. Random column access is allowed. Write recovery time (t_{WR}) is required from the last data to PRE command.



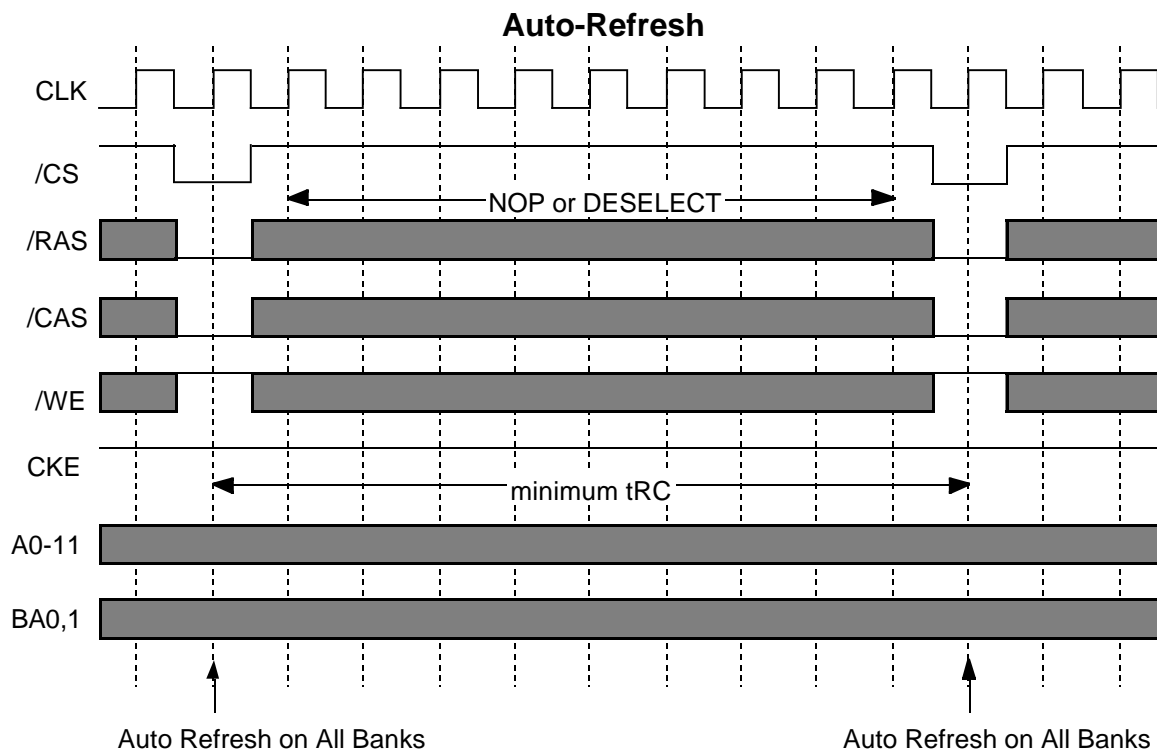
[Write Interrupted by Burst Terminate]

A burst terminate command TBST can be used to terminate a burst write operation. In this case, the write recovery time is not required and the bank remains active (Please see the waveforms below). The WRITE to TBST minimum interval is one CLK.



AUTO REFRESH

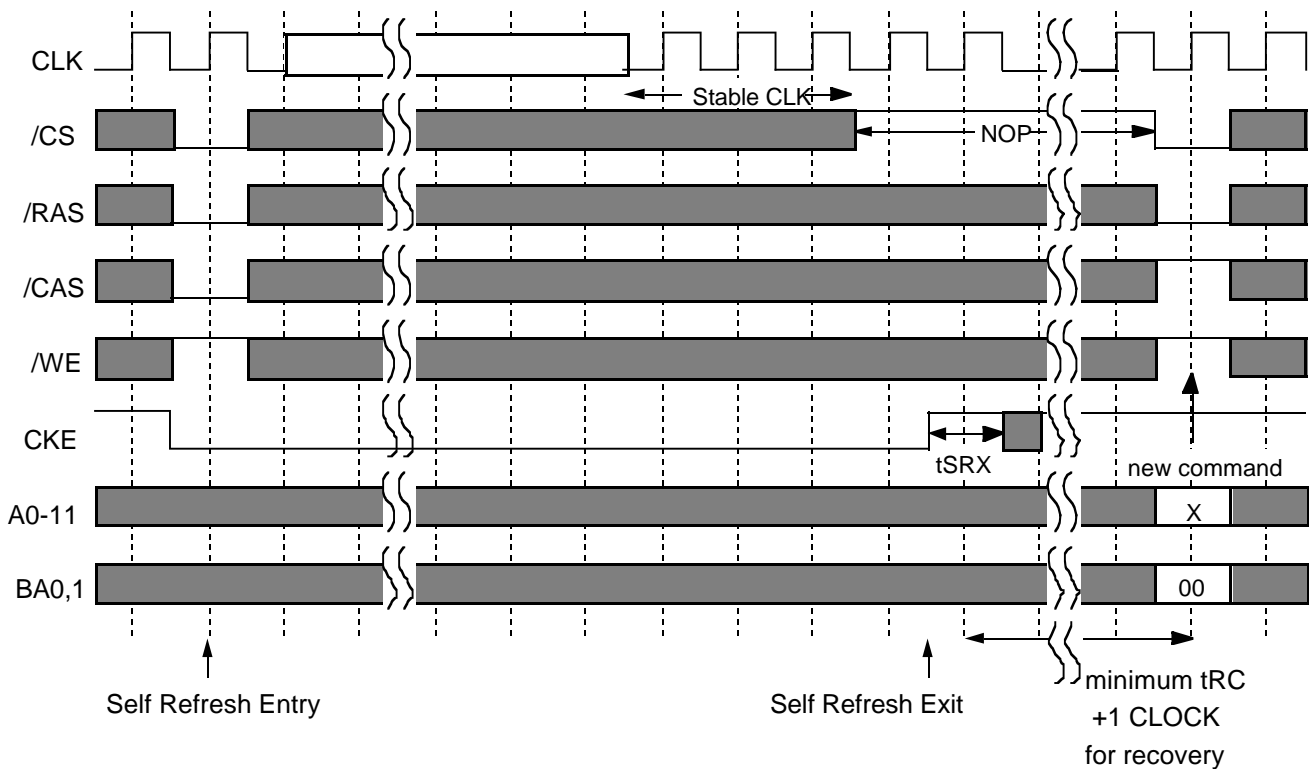
Single cycle of auto-refresh is initiated with a REFA (/CS= /RAS= /CAS= L, /WE= /CKE= H) command. The refresh address is generated internally. 4096 REFA cycles within 64ms refresh 64Mbit memory cells. The auto-refresh is performed on 4 banks concurrently. Before performing an auto-refresh, all banks must be in the idle state. Auto-refresh to auto-refresh interval is minimum tRC. Any command must not be supplied to the device before tRC from the REFA command.



SELF REFRESH

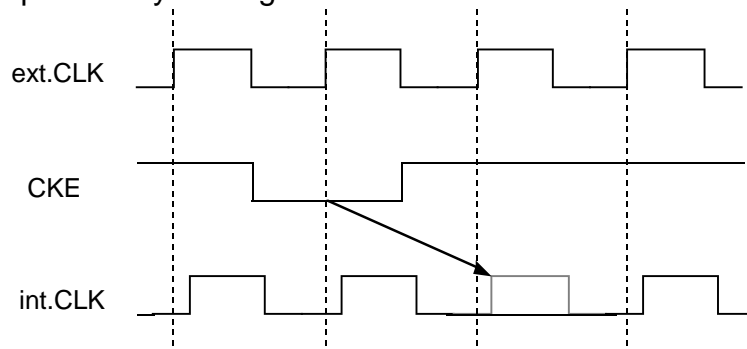
Self-refresh mode is entered by issuing a REFS command (/CS= /RAS= /CAS= L, /WE= H, CKE= L). Once the self-refresh is initiated, it is maintained as long as CKE is kept low. During the self-refresh mode, CKE is asynchronous and the only enabled input, all other inputs including CLK are disabled and ignored, so that power consumption due to synchronous inputs is saved. To exit the self-refresh, supplying stable CLK inputs, asserting DESEL or NOP command and then asserting CKE (REFSX) for longer than tSRX. After tRC from REFSX all banks are in the idle state and a new command can be issued, but DESEL or NOP commands must be asserted till then.

Self-Refresh

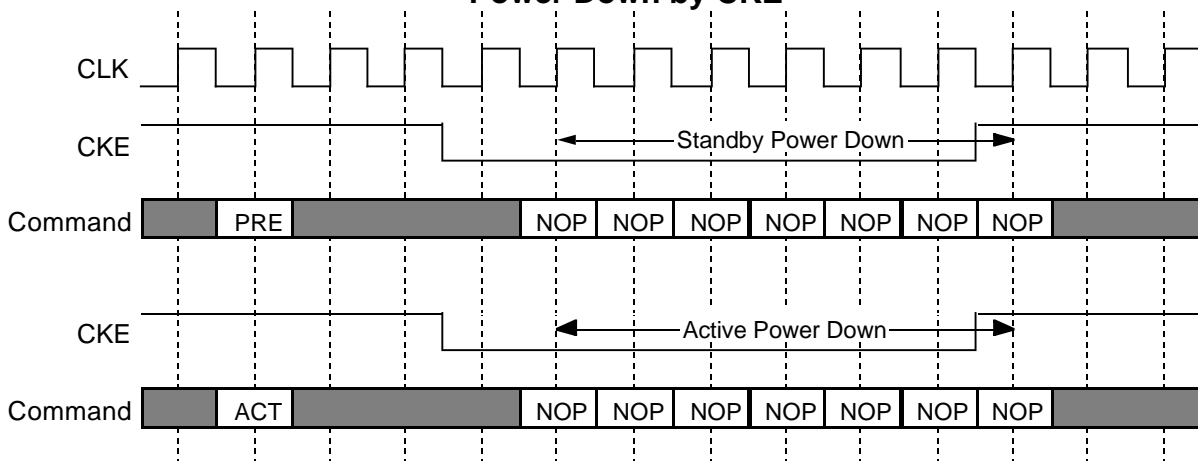


CLK SUSPEND

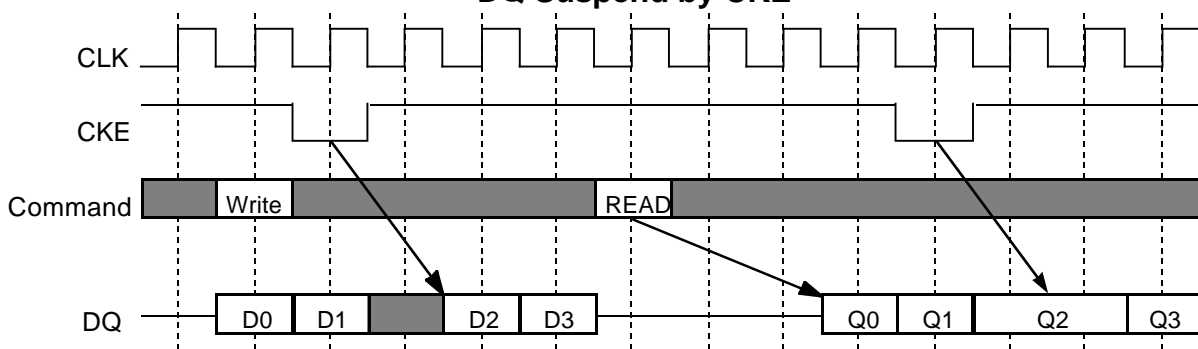
CKE controls the internal CLK at the following cycle. Figure below shows how CKE works. By negating CKE, the next internal CLK is suspended. The purpose of CLK suspend is power down, output suspend or input suspend. CKE is a synchronous input except during the self-refresh mode. CLK suspend can be performed either when the banks are active or idle. A command at the suspended cycle is ignored.



Power Down by CKE

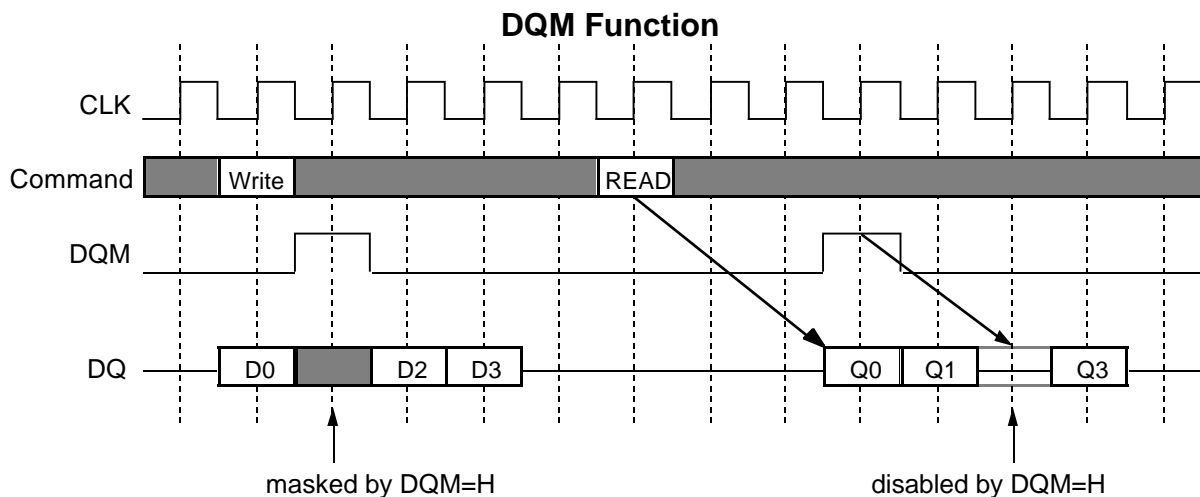


DQ Suspend by CKE

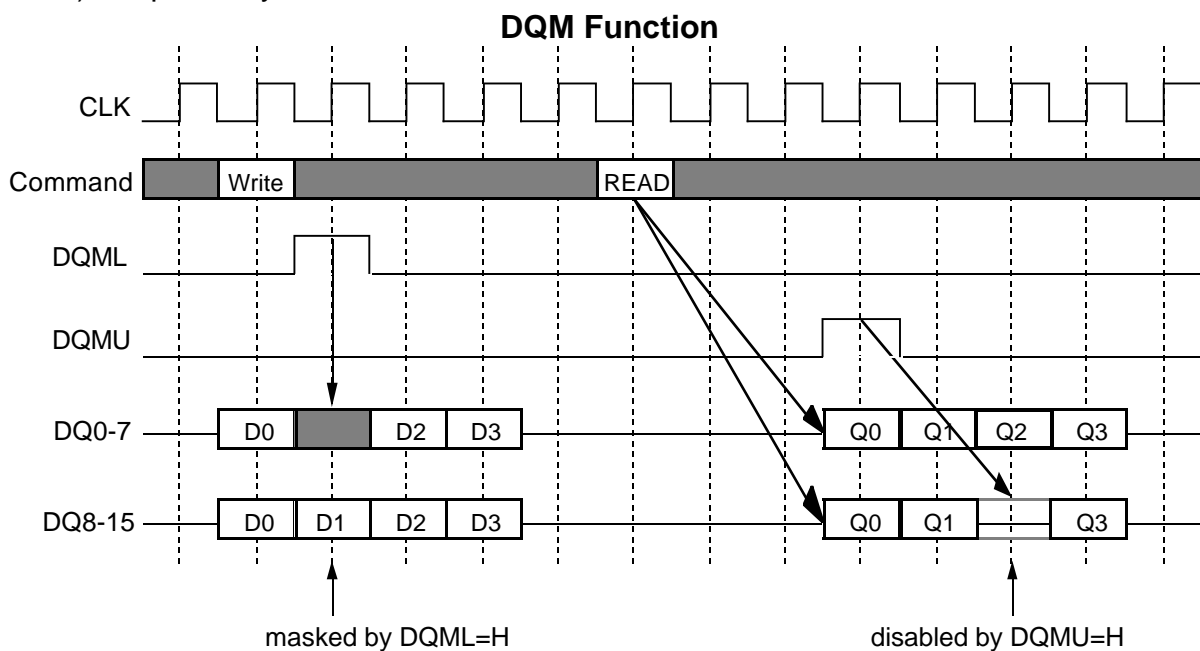


DQM CONTROL

For x4/x8, DQM is a dual function signal defined as the data mask for writes and the output disable for reads. During writes, DQM masks input data word by word. DQM to write mask latency is 0. During reads, DQM forces output to Hi-Z word by word. DQM to output Hi-Z latency is 2.



For x16, DQMU/L are dual function signals defined as the data mask for writes and the output disable for reads. During writes, DQMU/L mask input data word by word. DQMU/L to write mask latency is 0. During reads, DQMU/L force outputs to Hi-Z word by word. DQMU/L to output Hi-Z latency is 2. DQML and DQMU control lower byte (DQ0-7), and upper byte (DQ8-15), respectively.



64M bit Synchronous DRAM

M2V64S20BTP-7,-7L,-8,-8L,-8A,-10,-10L (4-BANK x 4194304-WORD x 4-BIT)

M2V64S30BTP-7,-7L,-8,-8L,-8A,-10,-10L (4-BANK x 2097152-WORD x 8-BIT)

M2V64S40BTP-7,-7L,-8,-8L,-8A,-10,-10L (4-BANK x 1048576-WORD x 16-BIT)

ABSOLUTE MAXIMUM RATINGS

| Symbol | Parameter | Conditions | Ratings | Unit |
|--------|---------------------------|----------------------|-----------------|------|
| Vdd | Supply Voltage | with respect to Vss | -0.5 ~ 4.6 | V |
| VddQ | Supply Voltage for Output | with respect to VssQ | -0.5 ~ 4.6 | V |
| VI | Input Voltage | with respect to Vss | -0.5 ~ Vdd+0.5 | V |
| VO | Output Voltage | with respect to VssQ | -0.5 ~ VddQ+0.5 | V |
| IO | Output Current | | 50 | mA |
| Pd | Power Dissipation | Ta = 25 °C | 1000 | mW |
| Topr | Operating Temperature | | 0 ~ 70 | °C |
| Tstg | Storage Temperature | | -65 ~ 150 | °C |

RECOMMENDED OPERATING CONDITIONS

(Ta=0 ~ 70°C, unless otherwise noted)

| Symbol | Parameter | Limits | | | Unit |
|--------|-------------------------------------|--------|------|---------|------|
| | | Min. | Typ. | Max. | |
| Vdd | Supply Voltage | 3.0 | 3.3 | 3.6 | V |
| Vss | Supply Voltage | 0 | 0 | 0 | V |
| VddQ | Supply Voltage for Output | 3.0 | 3.3 | 3.6 | V |
| VssQ | Supply Voltage for Output | 0 | 0 | 0 | V |
| VIH | High-Level Input Voltage all inputs | 2.0 | | Vdd+0.3 | V |
| VIL | Low-Level Input Voltage all inputs | -0.3 | | 0.8 | V |

Note:* VIH (max) = Vdd+2.0V AC for pulse width≤3ns acceptable.

VIL(min) = -2V AC for pulse width≤3ns acceptable.

CAPACITANCE

(Ta=0 ~ 70°C, Vdd = VddQ = 3.3 ± 0.3v, Vss = VssQ = 0v, unless otherwise noted)

| Symbol | Parameter | Test Condition | min. | max. | Unit |
|--------|--------------------------------|--------------------------------|------|------|------|
| CI(A) | Input Capacitance, address pin | VI=Vss f=1MHz Vi=25mVrms | 2.5 | 5 | pF |
| CI(C) | Input Capacitance, control pin | | 2.5 | 5 | pF |
| CI(K) | Input Capacitance, CLK pin | | 2.5 | 4 | pF |
| CI/O | Input Capacitance, I/O pin | | 4 | 6.5 | pF |



64M bit Synchronous DRAM

M2V64S20BTP-7,-7L,-8,-8L,-8A,-10,-10L (4-BANK x 4194304-WORD x 4-BIT)

M2V64S30BTP-7,-7L,-8,-8L,-8A,-10,-10L (4-BANK x 2097152-WORD x 8-BIT)

M2V64S40BTP-7,-7L,-8,-8L,-8A,-10,-10L (4-BANK x 1048576-WORD x 16-BIT)

AVERAGE SUPPLY CURRENT from Vdd

(Ta=0 ~ 70°C, Vdd = VddQ = 3.3 ± 0.3v, Vss = VssQ = 0v, Output Open, unless otherwise noted)

| Parameter | Symbol | Test Conditions | Organi- zation | Limits (max) | | | | Unit | |
|---|--------|--|-------------------|--------------|-----------|-----|-------------|------|----|
| | | | | -7 -7L | -8 -8L | -8A | -10 -10L | | |
| operating current (one bank active) | Icc1 | tRC=min, tCLK=min, BL=1, IoL=0mA | x4/x8 | 110 | 110 | 110 | 85 | mA | |
| | | | x16 | 115 | 115 | 115 | 90 | | |
| precharge standby current in power-down mode | Icc2P | CKE=VILmax, tCLK=15ns | x4/x8/x16 | 2 | 2 | 2 | 2 | mA | |
| | Icc2PS | CKE=CLK=VILmax(fixed) | x4/x8/x16 | 1 | 1 | 1 | 1 | | |
| precharge standby current in non power-down mode | Icc2N | CKE=/CS=VIHmin, tCLK=15ns (Note) | x4/x8/x16 | 22 | 22 | 25 | 22 | mA | |
| | Icc2NS | CKE=VIHmin, CLK=VILmax (fixed) | x4/x8/x16 | 20 | 20 | 20 | 20 | | |
| active standby current in power-down mode | Icc3P | CKE=VILmax, tCLK=15ns | x4/x8/x16 | 2 | 2 | 2 | 2 | mA | |
| | Icc3PS | CKE=CLK=VILmax(fixed) | x4/x8/x16 | 1 | 1 | 1 | 1 | | |
| active standby current in non power-down mode (one bank active) | Icc3N | CKE=/CS=VIHmin, tCLK=15ns (Note) | x4/x8/x16 | 55 | 55 | 55 | 45 | mA | |
| | Icc3NS | CKE=VIHmin, CLK=VILmax (fixed) | x4/x8/x16 | 40 | 40 | 40 | 40 | | |
| burst current | Icc4 | all banks active, tCLK=min, BL=4, CL=3, IoL=0mA | x4/x8 | 115 | 115 | 135 | 115 | mA | |
| | | | x16 | 125 | 125 | 140 | 125 | | |
| auto-refresh current | Icc5 | tRC=min, tCLK=min | x4/x8/x16 | 150 | 150 | 150 | 115 | mA | |
| self-refresh current | Icc6 | CKE <0.2v | -7,-8,-8A,-10 | x4/x8/x16 | 1 | 1 | 1 | 1 | mA |
| | | | -7L,-8L,-10L | x4/x8/x16 | 0.5 | 0.5 | — | 0.5 | |

Note:

Input signals are changed one time during 30ns.

AC OPERATING CONDITIONS AND CHARACTERISTICS

(Ta=0 ~ 70°C, Vdd = VddQ = 3.3 ± 0.3v, Vss = VssQ = 0v, unless otherwise noted)

| Symbol | Parameter | Test Conditions | Limits | | Unit |
|----------|--------------------------------|------------------------|--------|------|------|
| | | | Min. | Max. | |
| VOH (DC) | High-Level Output Voltage (DC) | IOH=-2mA | 2.4 | | V |
| VOL (DC) | Low-Level Output Voltage (DC) | IOL= 2mA | | 0.4 | V |
| IOZ | Off-state Output Current | Q floating VO=0 ~ VddQ | -5 | 5 | µA |
| Ii | Input Current (Note) | VIH = 0 ~ VddQ+0.3V | -5 | 5 | µA |

Note: All other pins not under test are 0V.

64M bit Synchronous DRAM

M2V64S20BTP-7,-7L,-8,-8L,-8A,-10,-10L (4-BANK x 4194304-WORD x 4-BIT)

M2V64S30BTP-7,-7L,-8,-8L,-8A,-10,-10L (4-BANK x 2097152-WORD x 8-BIT)

M2V64S40BTP-7,-7L,-8,-8L,-8A,-10,-10L (4-BANK x 1048576-WORD x 16-BIT)

AC TIMING REQUIREMENTS

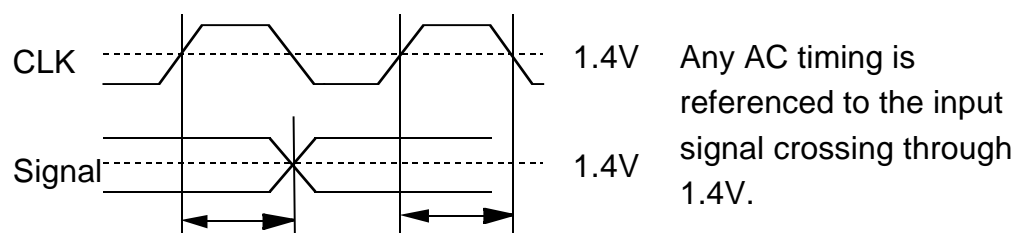
(Ta=0 ~ 70°C, Vdd = VddQ = 3.3 ± 0.3V, Vss = VssQ = 0V, unless otherwise noted)

Input Pulse Levels: 0.8V to 2.0V

Input Timing Measurement Level: 1.4V

| Symbol | Parameter | | Limits | | | | | | | | Unit | note |
|--------|-------------------------------|------|---------|--------|---------|--------|------|--------|-----------|--------|------|------|
| | | | -7, -7L | | -8, -8L | | -8A | | -10, -10L | | | |
| | | | Min. | Max. | Min. | Max. | Min. | Max. | Min. | Max. | | |
| tCLK | CLK cycle time | CL=2 | 10 | | 13 | | 12 | | 15 | | ns | |
| | | CL=3 | 10 | | 10 | | 8 | | 10 | | ns | |
| tCH | CLK High pulse width | | 3 | | 3 | | 3 | | 4 | | ns | 1 |
| tCL | CLK Low pulse width | | 3 | | 3 | | 3 | | 4 | | ns | 1 |
| tT | Transition time of CLK | | 1 | 10 | 1 | 10 | 1 | 10 | 1 | 10 | ns | |
| tIS | Input Setup time (all inputs) | | 2 | | 2 | | 2 | | 3 | | ns | 1 |
| tIH | Input Hold time (all inputs) | | 1 | | 1 | | 1 | | 1 | | ns | 1 |
| tRC | Row Cycle time | | 70 | | 70 | | 70 | | 90 | | ns | |
| tRCD | Row to Column Delay | | 20 | | 20 | | 20 | | 30 | | ns | |
| tRAS | Row Active time | | 50 | 100000 | 50 | 100000 | 48 | 100000 | 60 | 100000 | ns | |
| tRP | Row Precharge time | | 20 | | 20 | | 20 | | 30 | | ns | |
| tWR | Write Recovery time | | 10 | | 10 | | 10 | | 10 | | ns | |
| tRRD | Act to Act Delay time | | 20 | | 20 | | 16 | | 20 | | ns | |
| tCCD | Col to Col Delay time | | 10 | | 10 | | 8 | | 10 | | ns | |
| tRSC | Mode Register Set Cycle time | | 20 | | 20 | | 16 | | 20 | | ns | |
| tSRX | Self Refresh Exit time | | 10 | | 10 | | 8 | | 10 | | ns | |
| tREF | Refresh Interval time | | | 64 | | 64 | | 64 | | 64 | ms | |

Note:1 The timing requirements are assumed tT=1ns. If tT is longer than 1ns, (tT-1)ns should be added to the parameter.



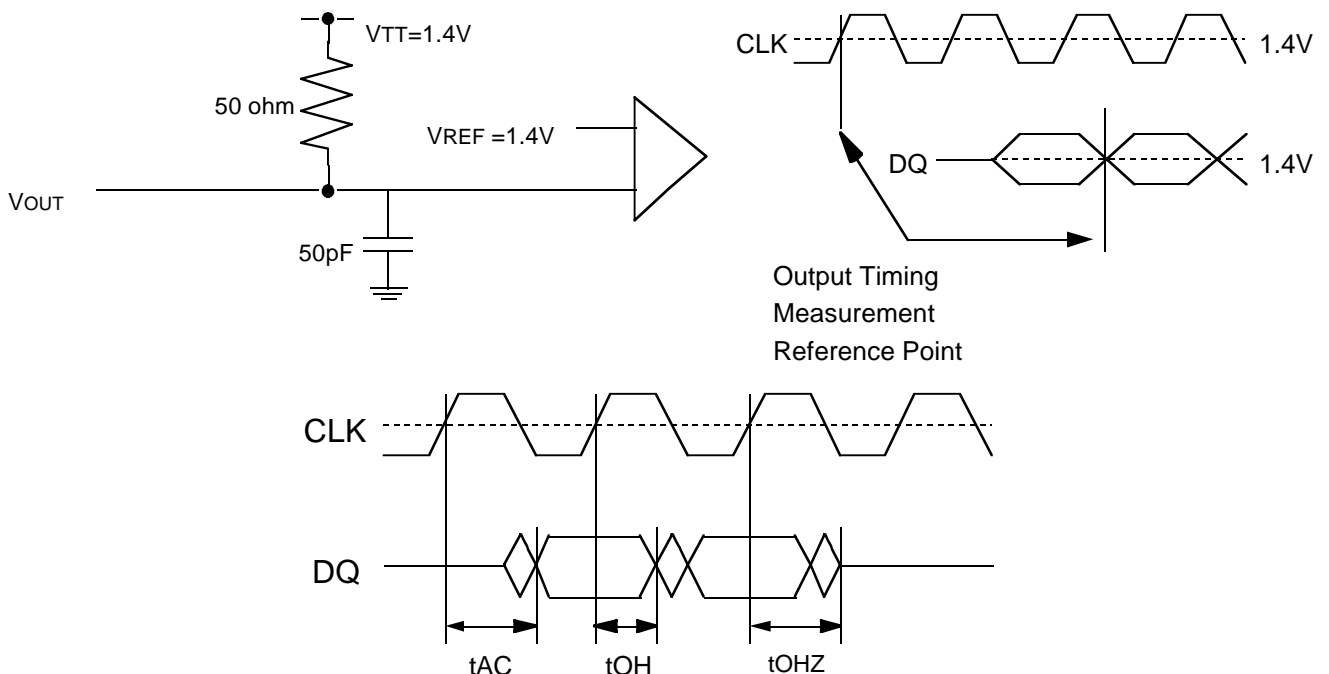
SWITCHING CHARACTERISTICS

(Ta=0 ~ 70°C, Vdd = VddQ = 3.3 ± 0.3v, Vss = VssQ = 0v, unless otherwise noted see note3)

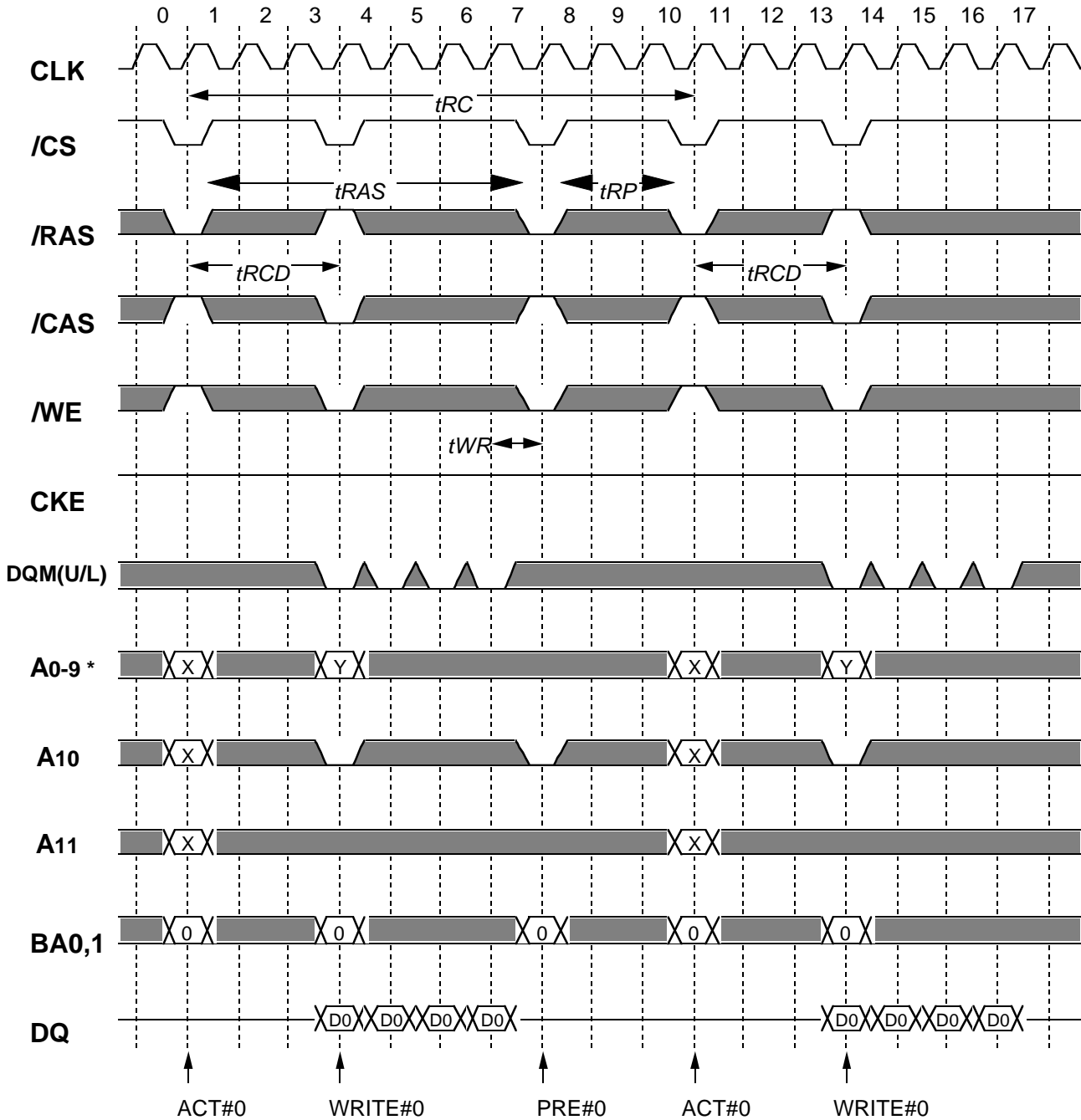
| Symbol | Parameter | | Limits | | | | | | | | Unit |
|--------|--|------|---------|------|---------|------|------|------|-----------|------|------|
| | | | -7, -7L | | -8, -8L | | -8A | | -10, -10L | | |
| | | | Min. | Max. | Min. | Max. | Min. | Max. | Min. | Max. | |
| tAC | Access time from CLK | CL=2 | | 6 | | 7 | | 8 | | 8 | ns |
| | | CL=3 | | 6 | | 6 | | 6 | | 8 | ns |
| tOH | Output Hold time from CLK | | 3 | | 3 | | 2.5 | | 3 | | ns |
| tOLZ | Delay time, output low impedance from CLK | | 0 | | 0 | | 0 | | 0 | | ns |
| tOHZ | Delay time, output high impedance from CLK | | 3 | 6 | 3 | 6 | 2.5 | 6 | 3 | 8 | ns |

Note:3 If tr(clock rising time) is longer than 1ns, (tT/2-0.5)ns should be added to the parameter.

Output Load Condition



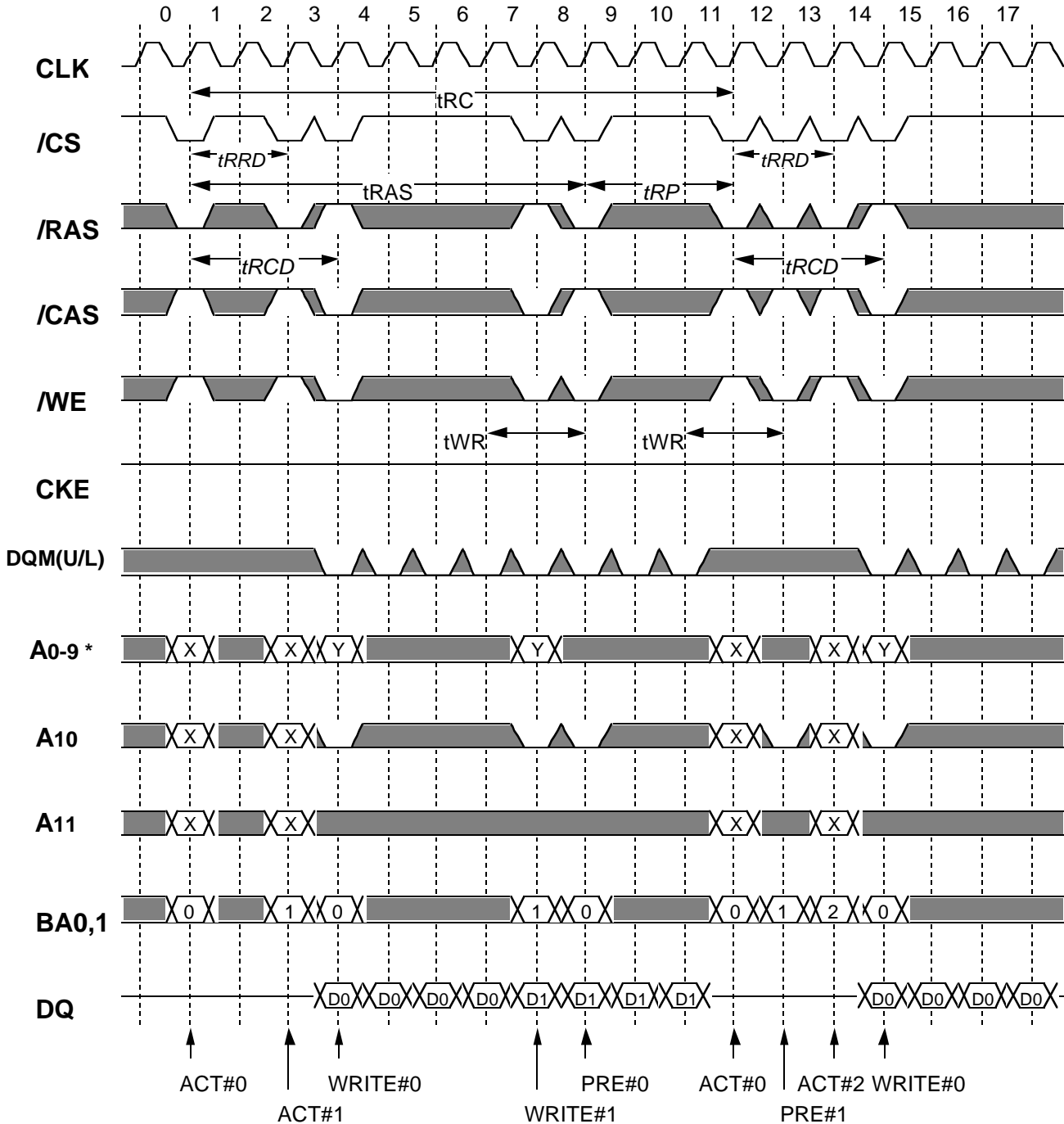
Burst Write (single bank) @BL=4



Italic parameter indicates minimum case

* A9 (x8) and A8,A9 (x16) for column address of read/write are don't care

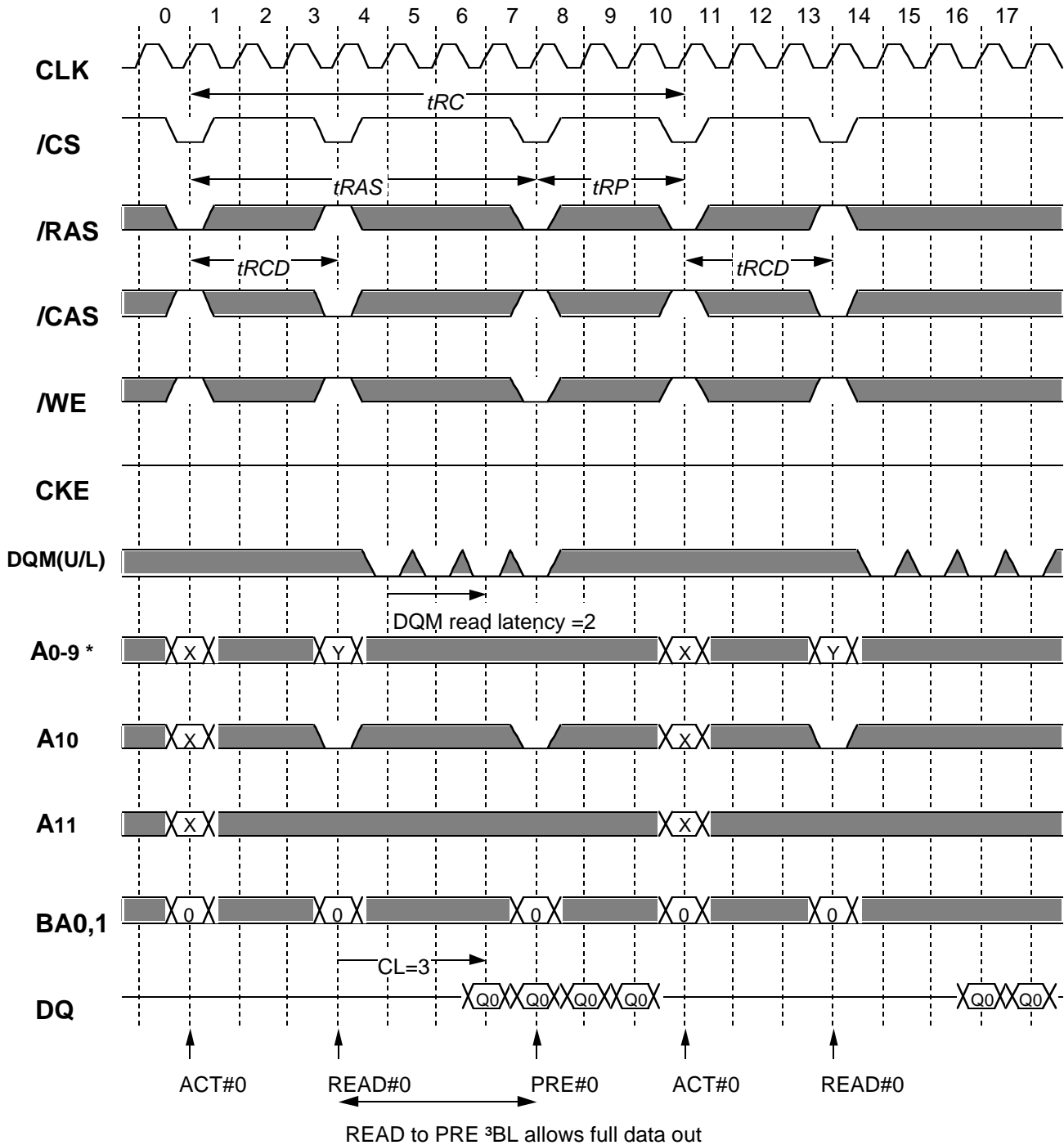
Burst Write (multi bank) @BL=4



Italic parameter indicates minimum case

* A9 (x8) and A8,A9 (x16) for column address of read/write are don't care

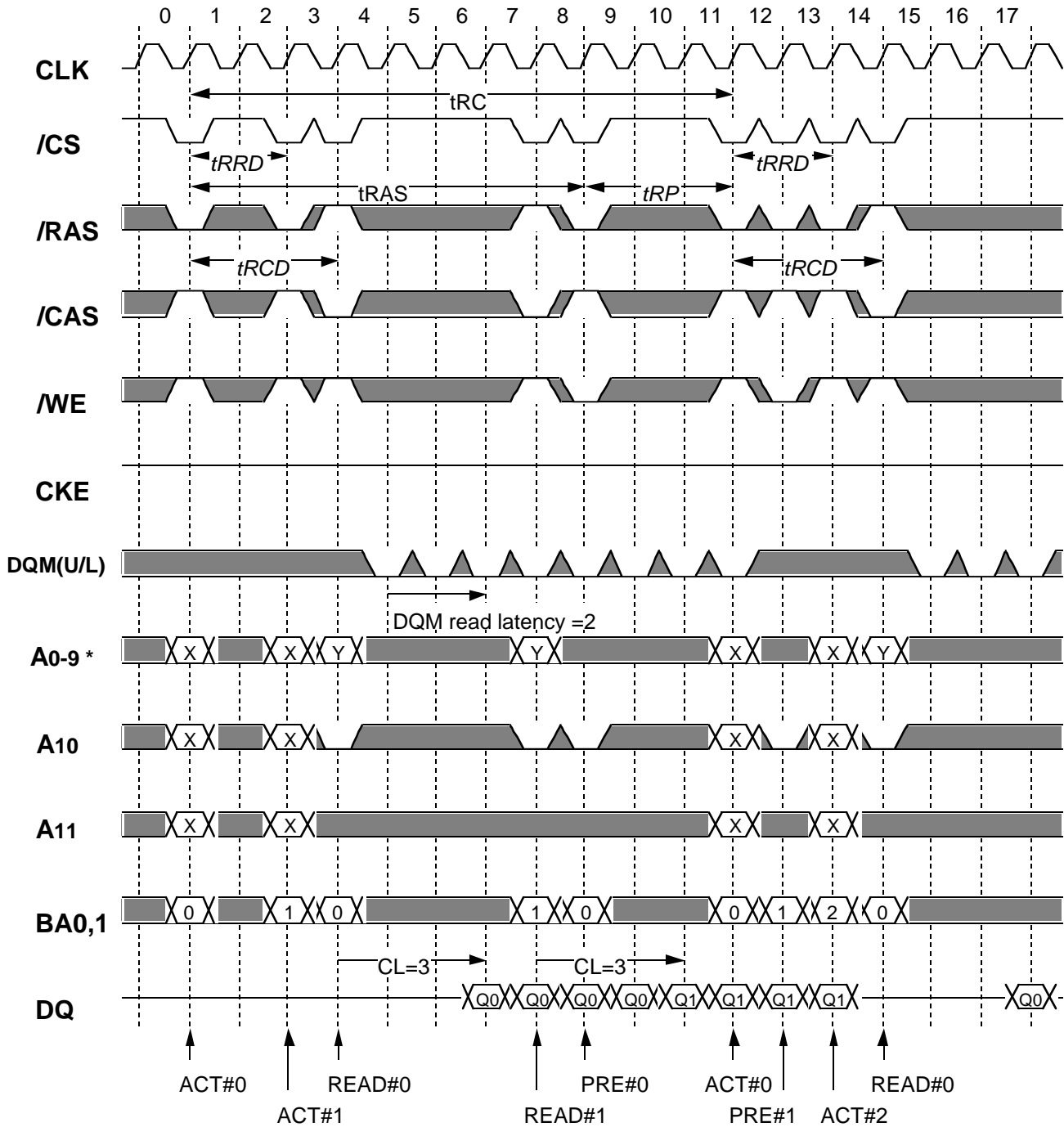
Burst Read (single bank) @BL=4 CL=3



Italic parameter indicates minimum case

* A9 (x8) and A8,A9 (x16) for column address of read/write are don't care

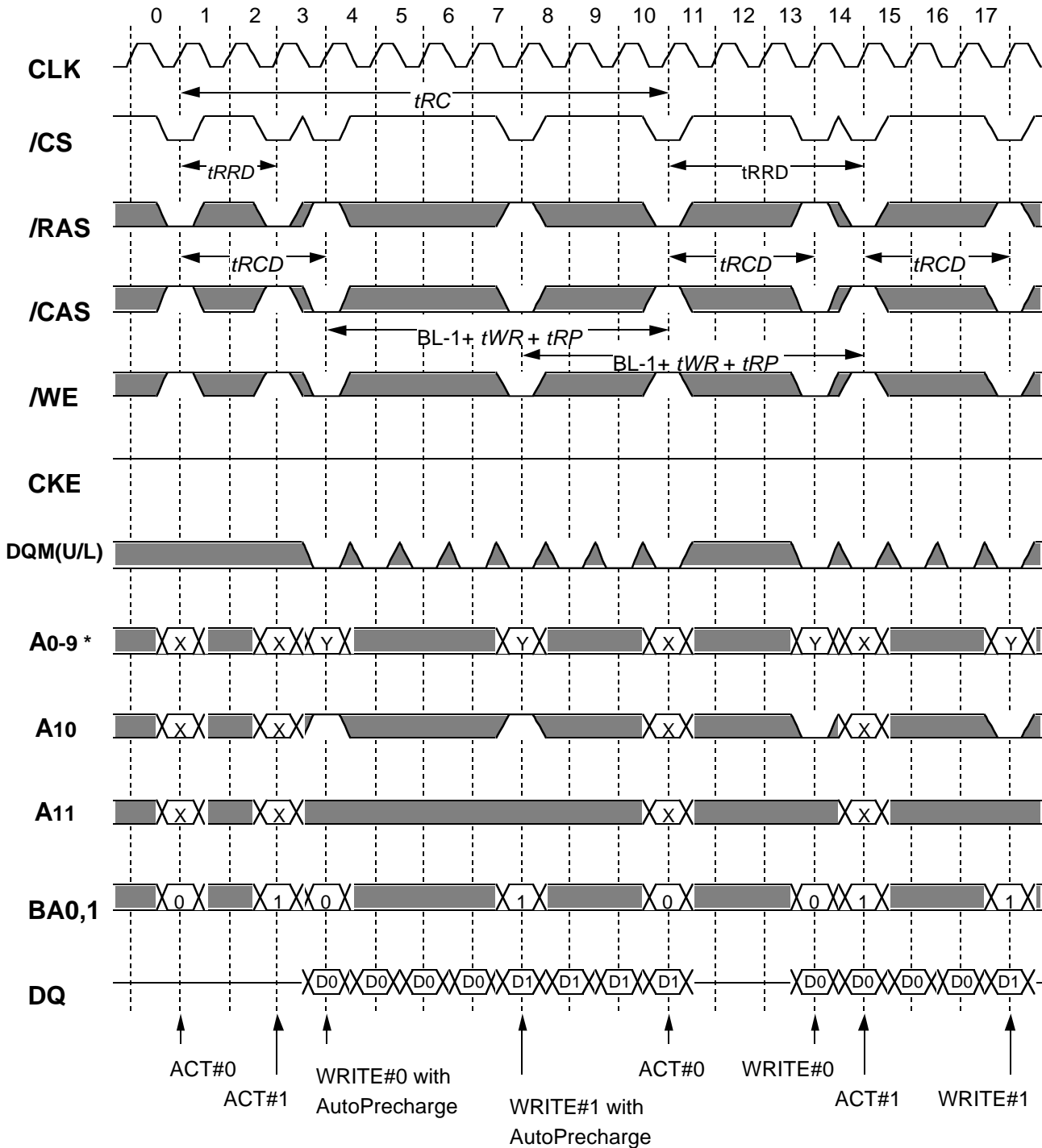
Burst Read (multiple bank) @BL=4 CL=3



Italic parameter indicates minimum case

* A9 (x8) and A8,A9 (x16) for column address of read/write are don't care

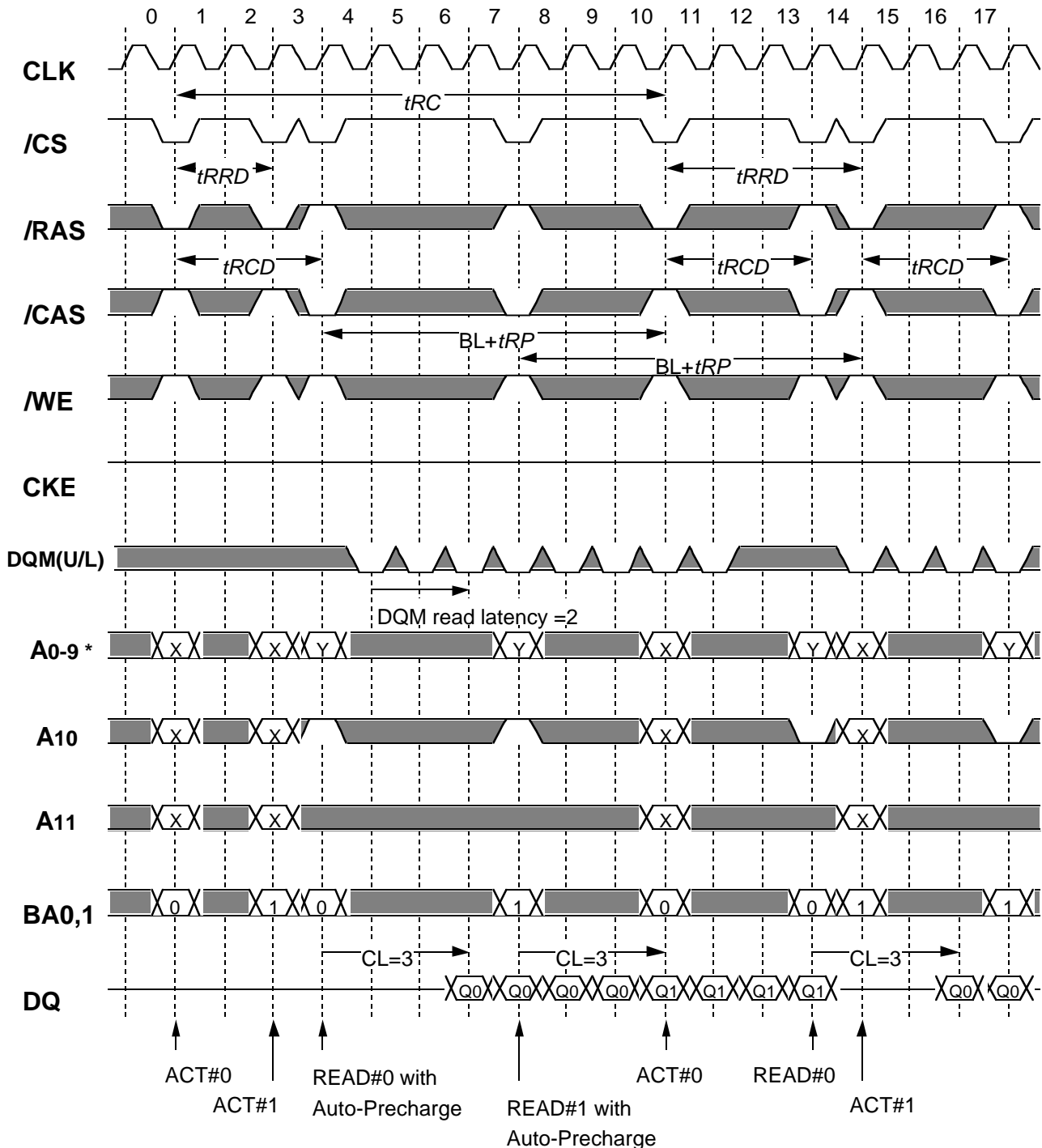
Burst Write (multi bank) with Auto-Precharge @BL=4



Italic parameter indicates minimum case

* A9 (x8) and A8,A9 (x16) for column address of read/write are don't care

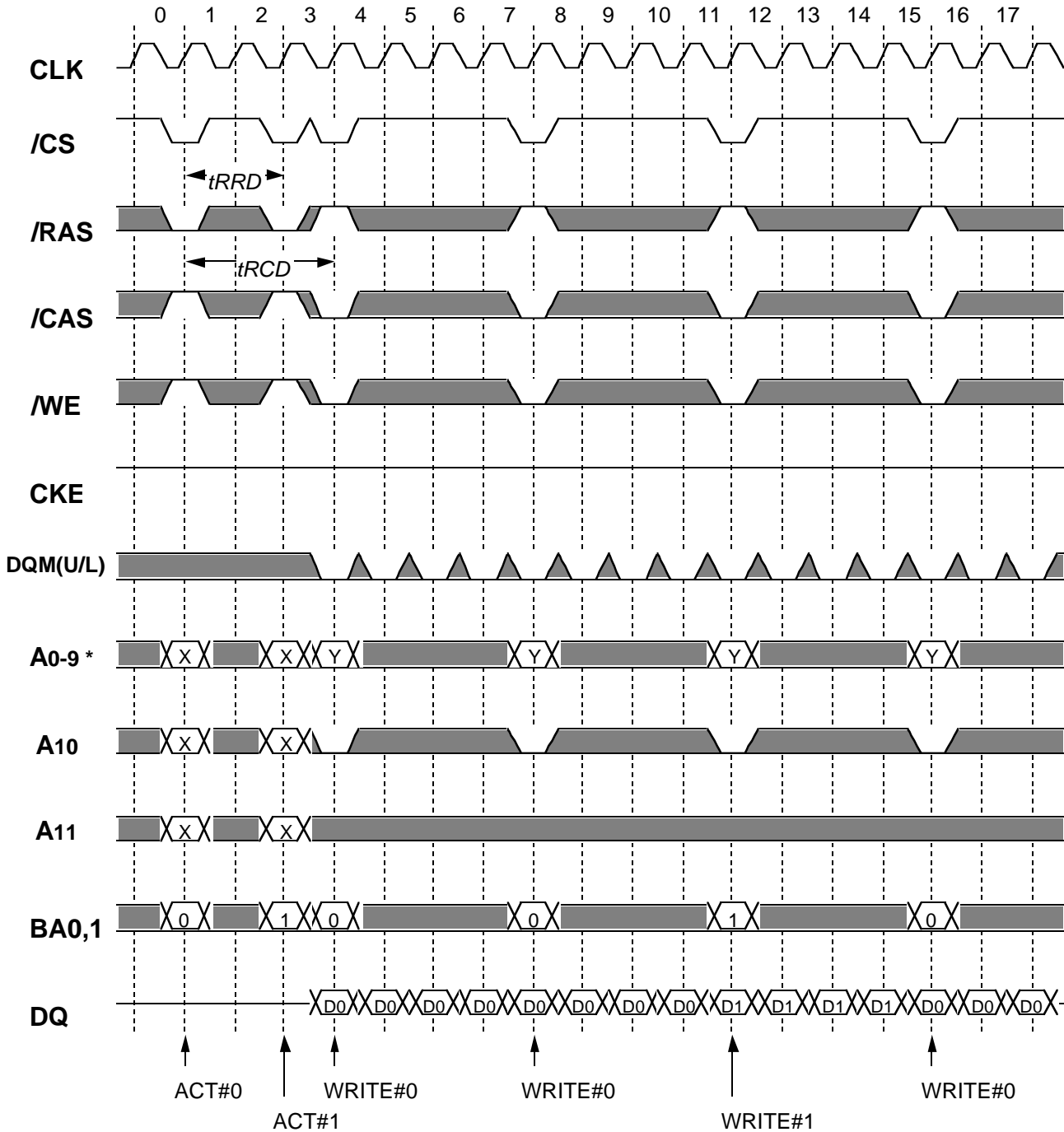
Burst Read (multiple bank) with Auto-Precharge @BL=4 CL=3



Italic parameter indicates minimum case

* A9 (x8) and A8,A9 (x16) for column address of read/write are don't care

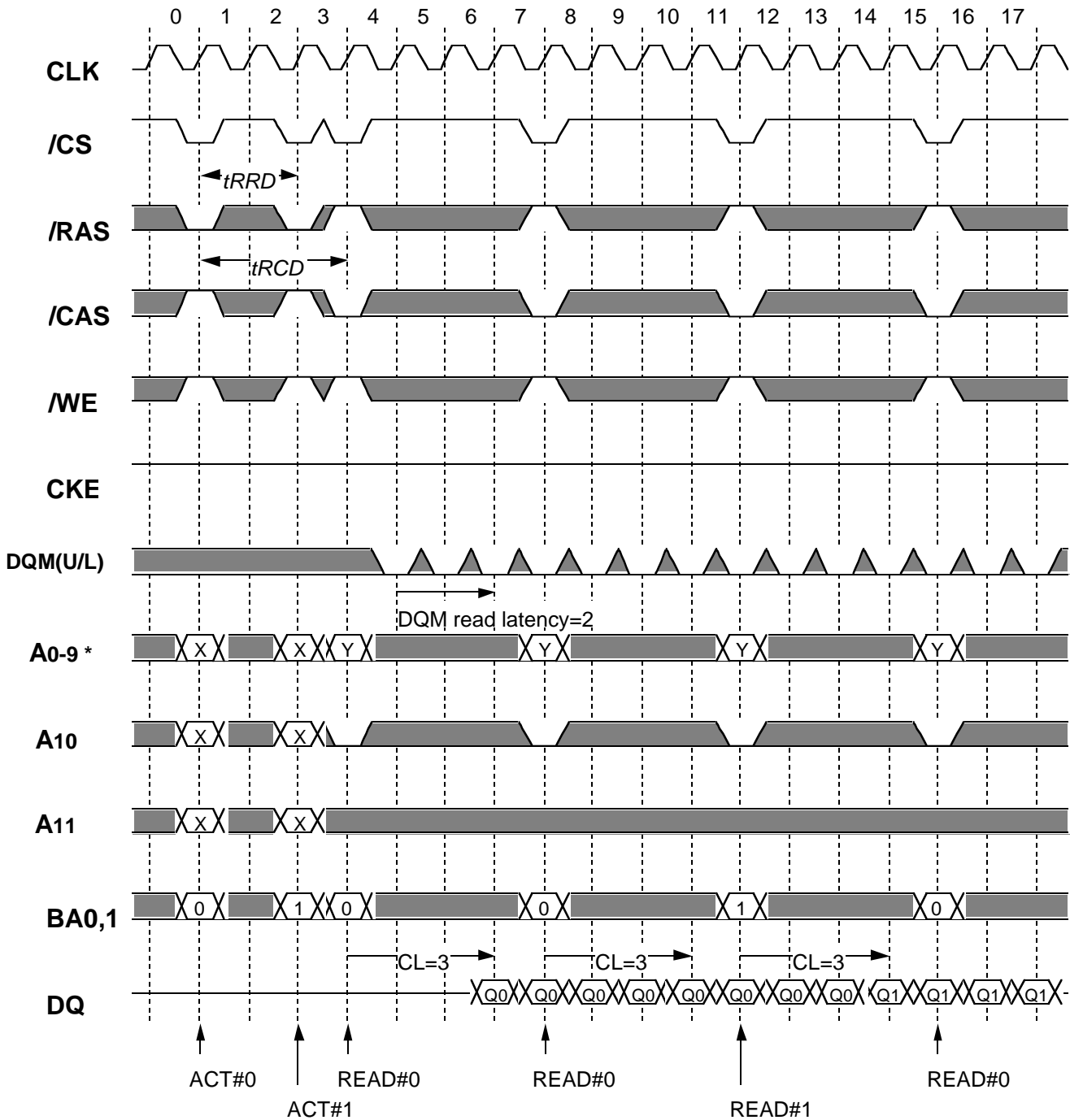
Page Mode Burst Write (multi bank) @BL=4



Italic parameter indicates minimum case

* A9 (x8) and A8,A9 (x16) for column address of read/write are don't care

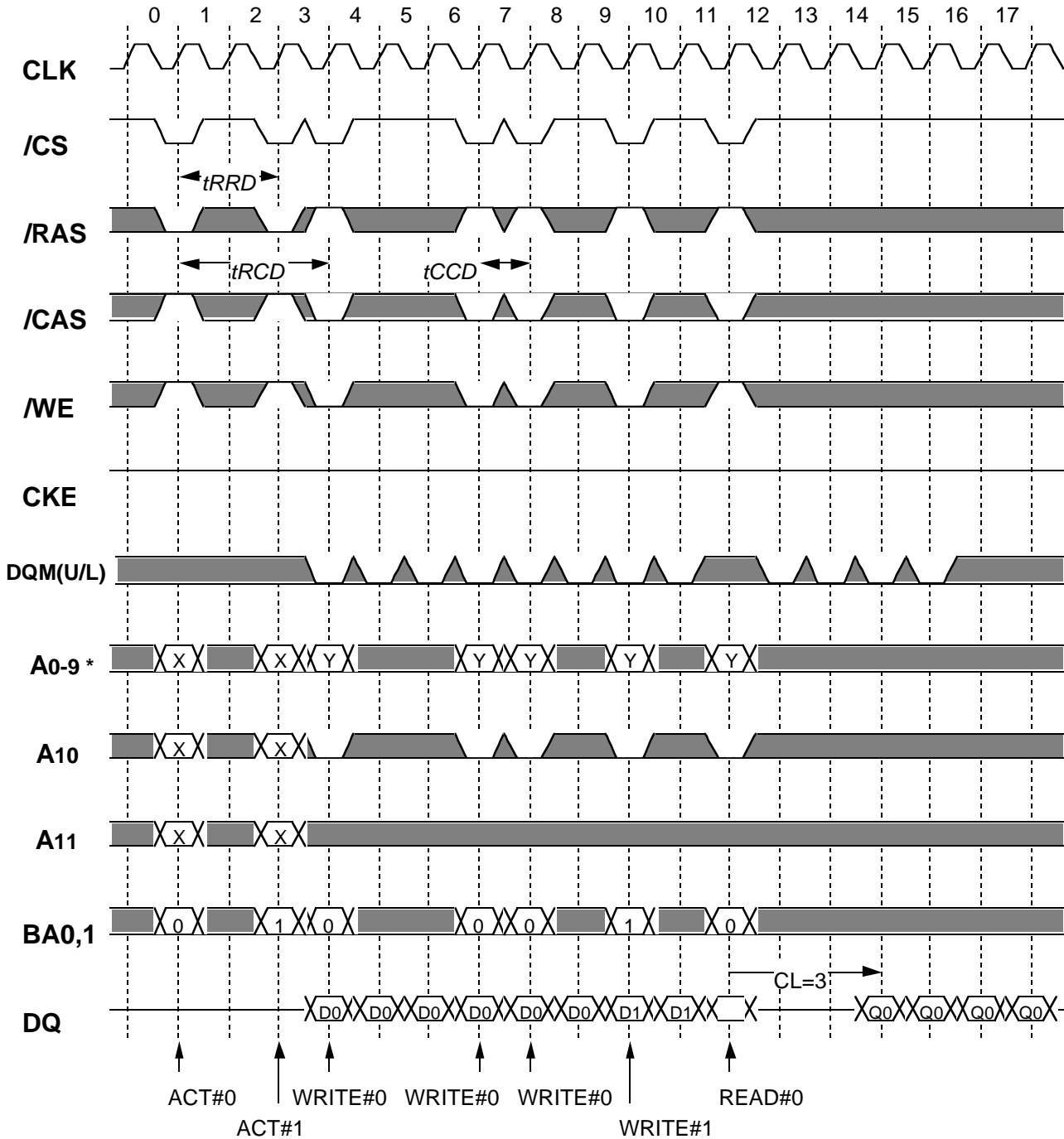
Page Mode Burst Read (multi bank) @BL=4 CL=3



Italic parameter indicates minimum case

* A9 (x8) and A8,A9 (x16) for column address of read/write are don't care

Write Interrupted by Write / Read @BL=4

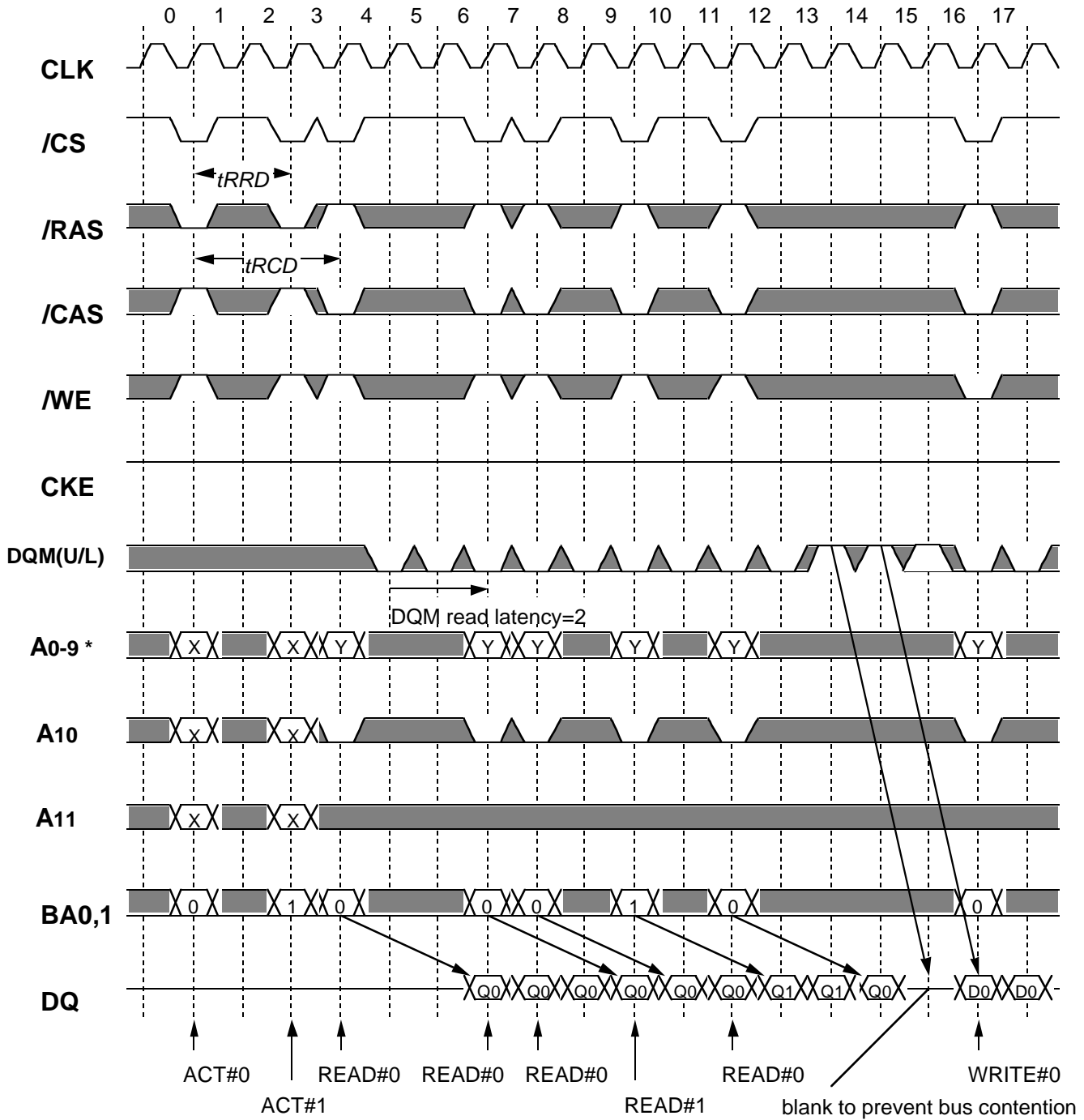


Burst Write can be interrupted by Write or Read of any active bank.

Italic parameter indicates minimum case

* A9 (x8) and A8,A9 (x16) for column address of read/write are don't care

Read Interrupted by Read / Write @BL=4 CL=3

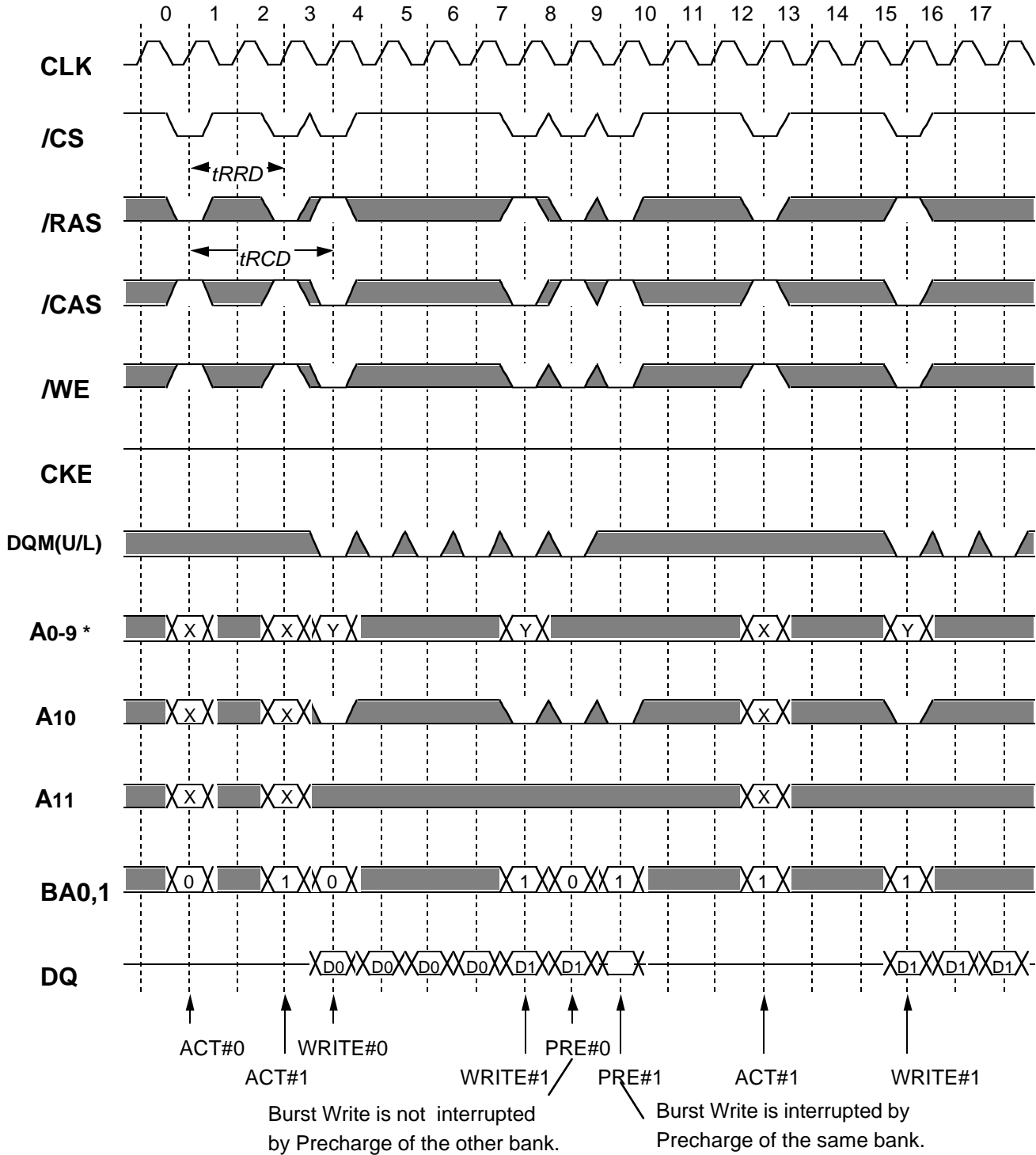


Burst Read can be interrupted by Read or Write of any active bank.

Italic parameter indicates minimum case

* A9 (x8) and A8,A9 (x16) for column address of read/write are don't care

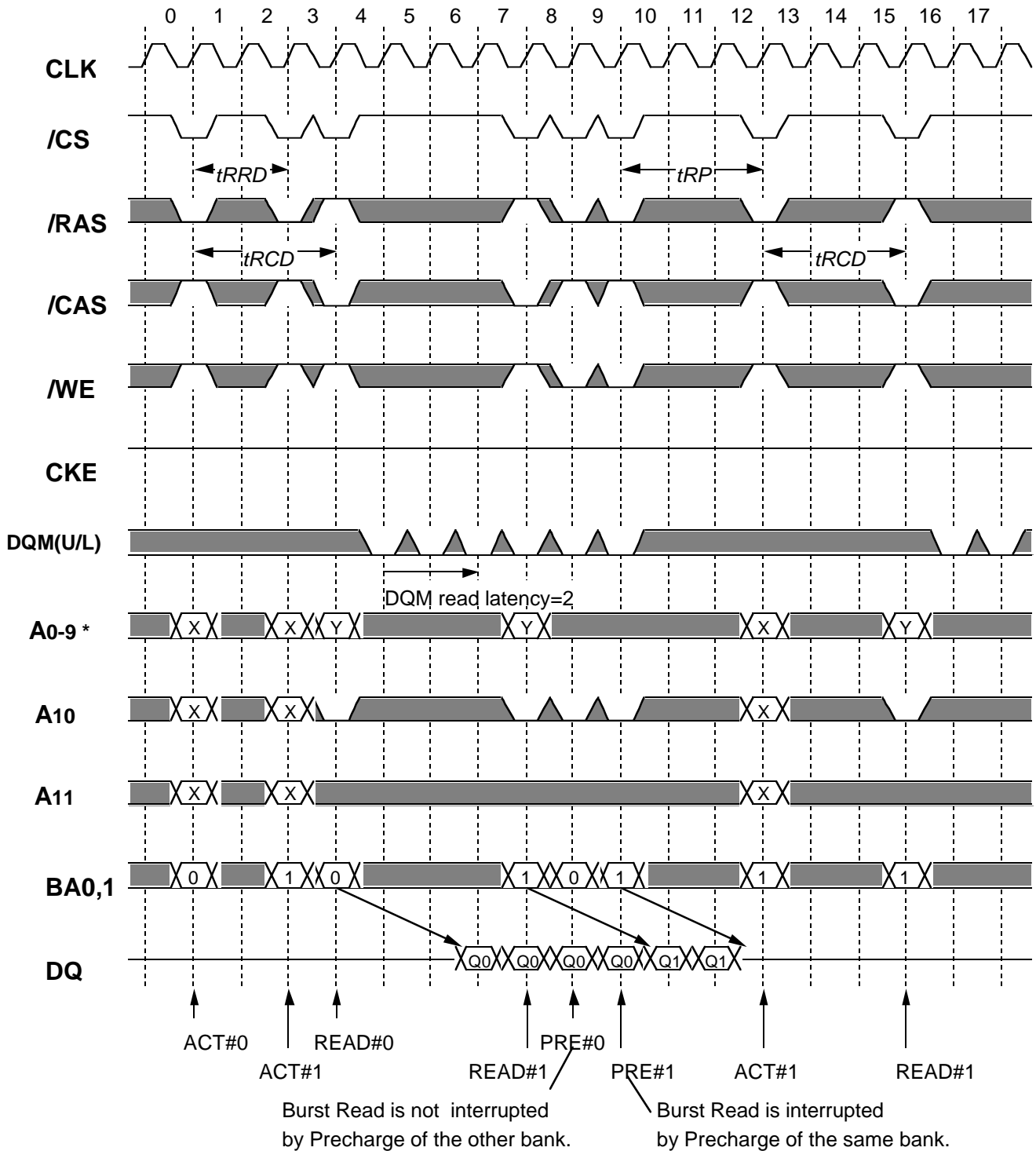
Write Interrupted by Precharge @BL=4



Italic parameter indicates minimum case

* A9 (x8) and A8,A9 (x16) for column address of read/write are don't care

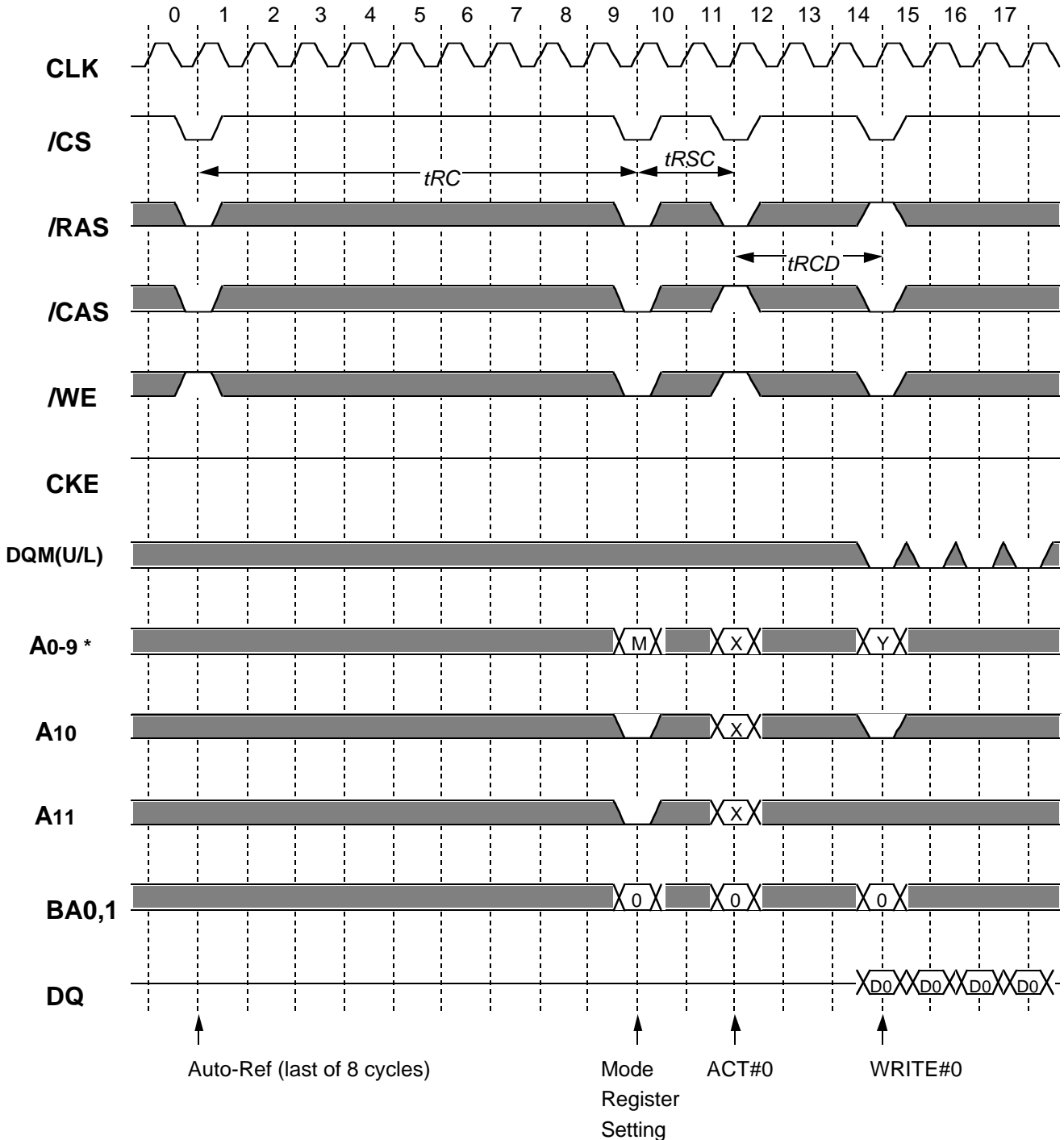
Read Interrupted by Precharge @BL=4 CL=3



Italic parameter indicates minimum case

* A9 (x8) and A8,A9 (x16) for column address of read/write are don't care

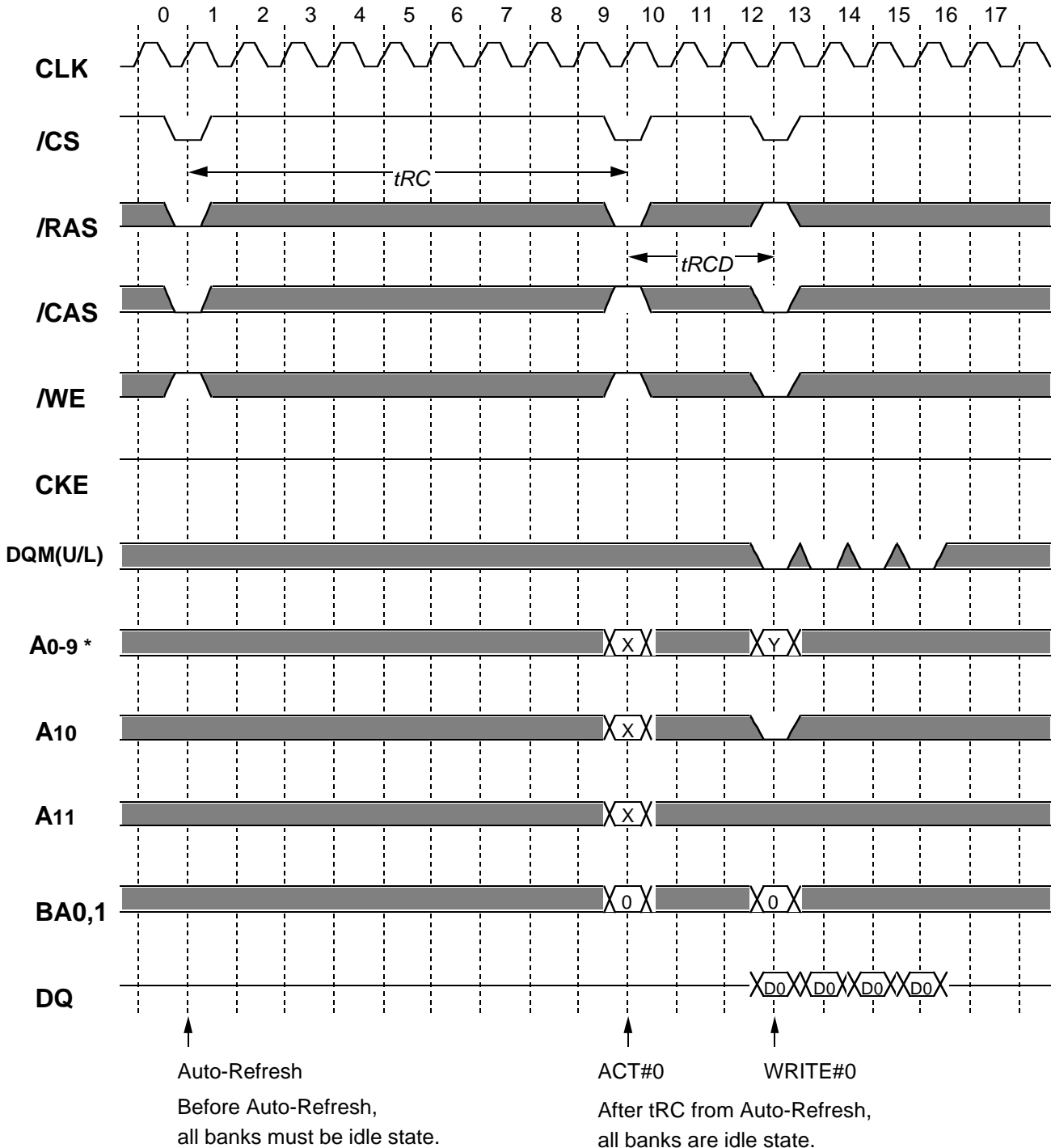
Mode Register Setting



Italic parameter indicates minimum case

* A9 (x8) and A8,A9 (x16) for column address of read/write are don't care

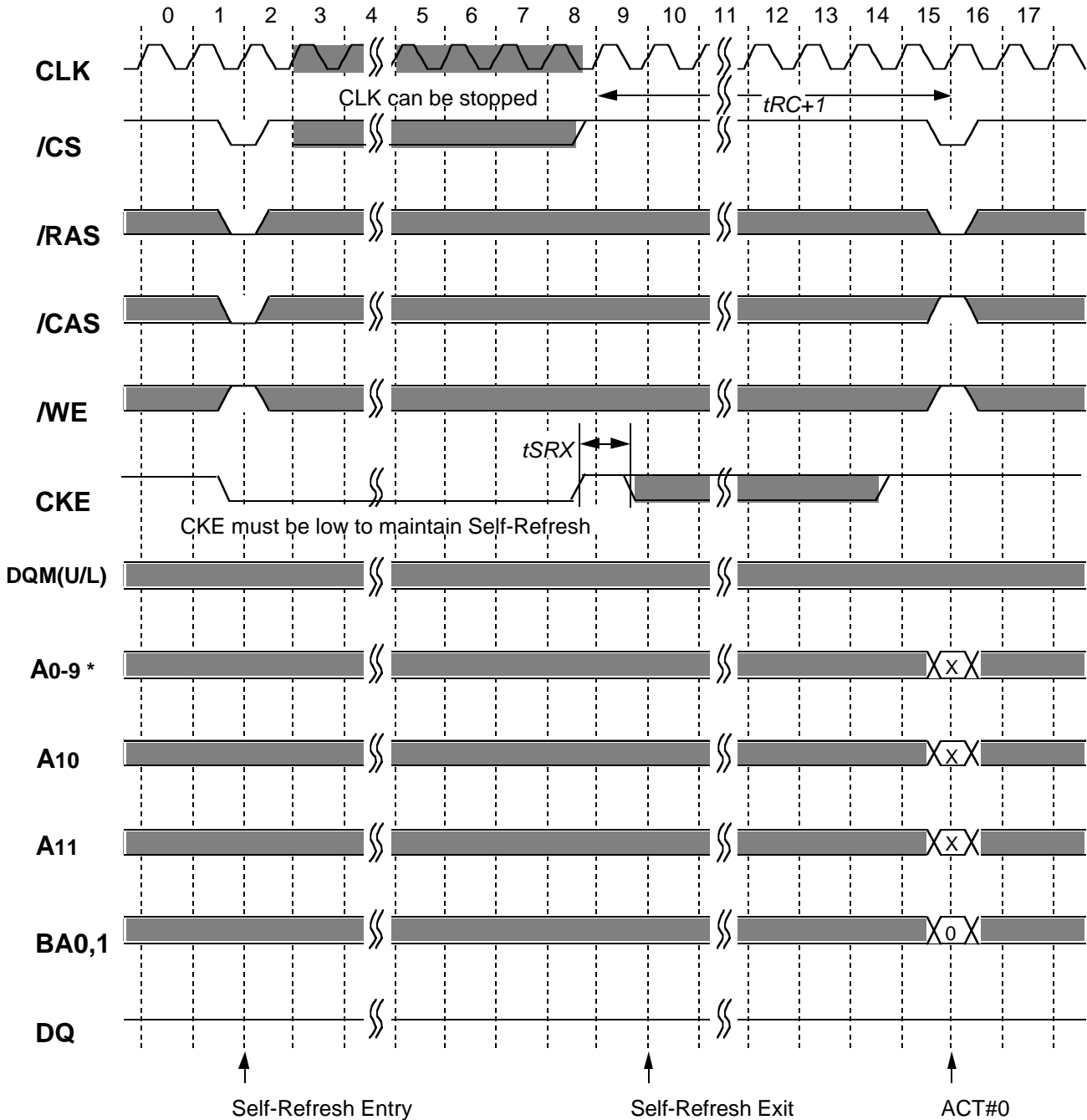
Auto-Refresh @BL=4



Italic parameter indicates minimum case

* A9 (x8) and A8,A9 (x16) for column address of read/write are don't care

Self-Refresh



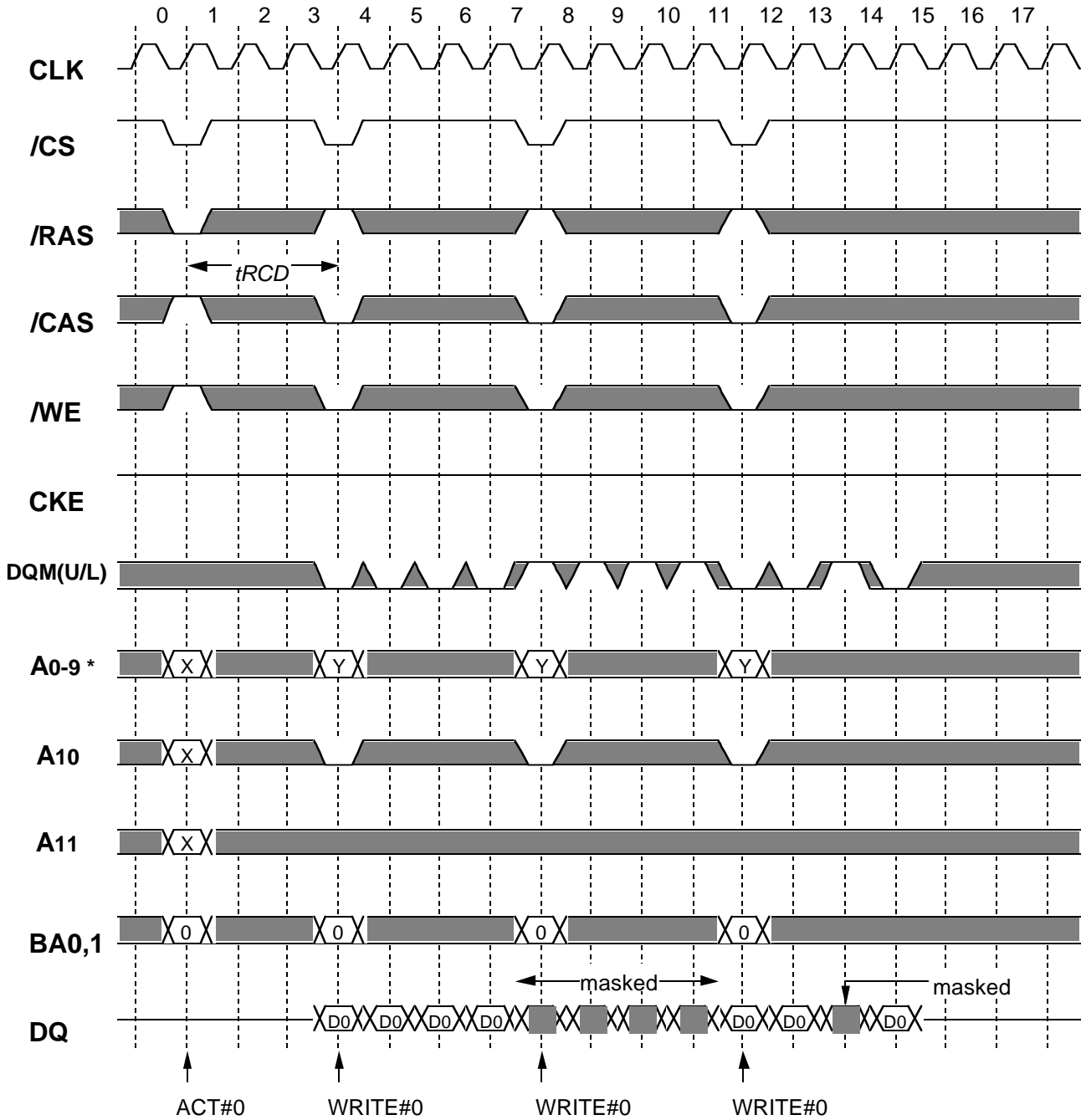
Before Self-Refresh Entry,
all banks must be idle state.

After t_{RC} from Self-Refresh Exit,
all banks are idle state.

Italic parameter indicates minimum case

* A9 (x8) and A8,A9 (x16) for column address of read/write are don't care

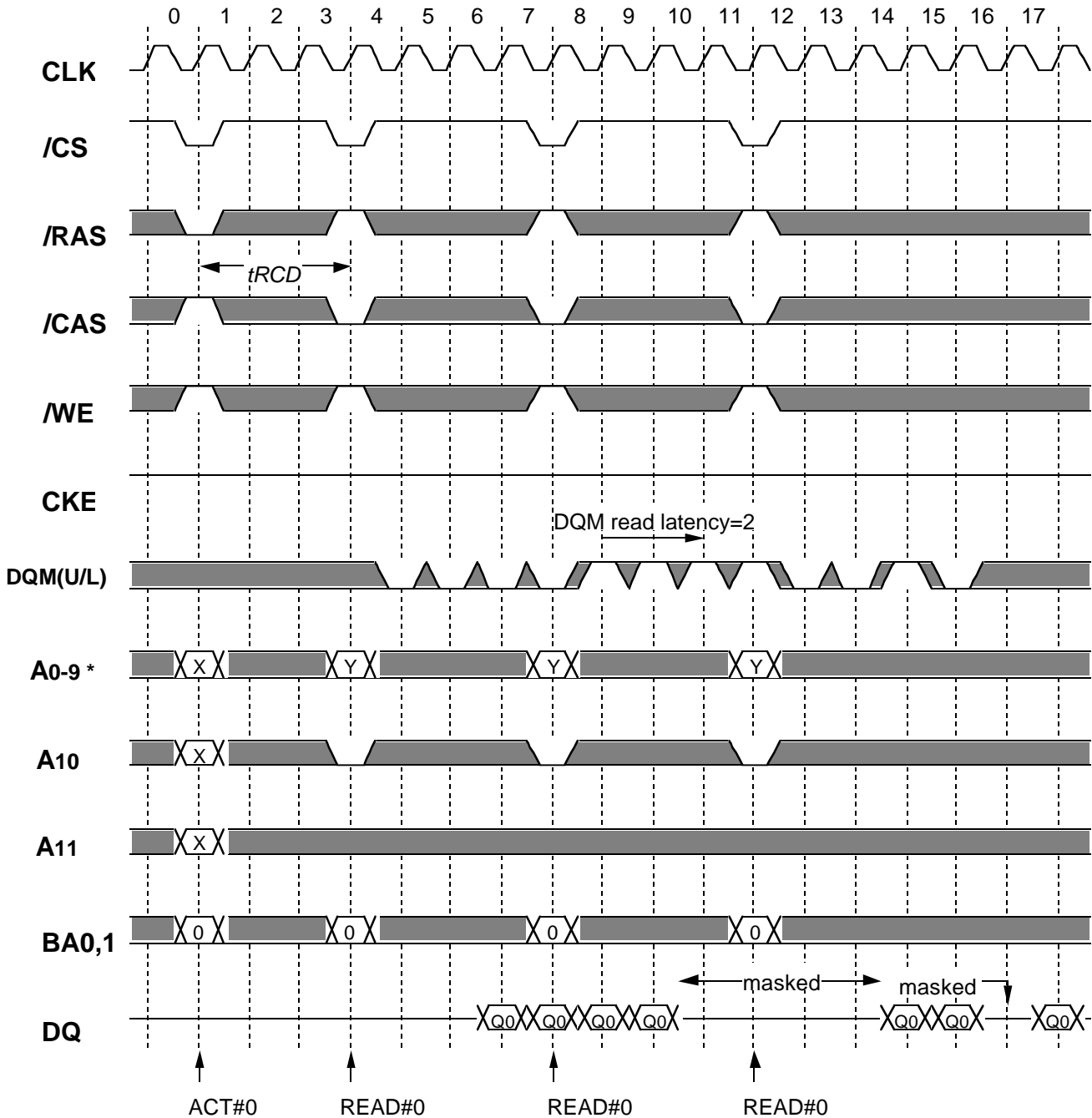
DQM Write Mask @BL=4



Italic parameter indicates minimum case

* A9 (x8) and A8,A9 (x16) for column address of read/write are don't care

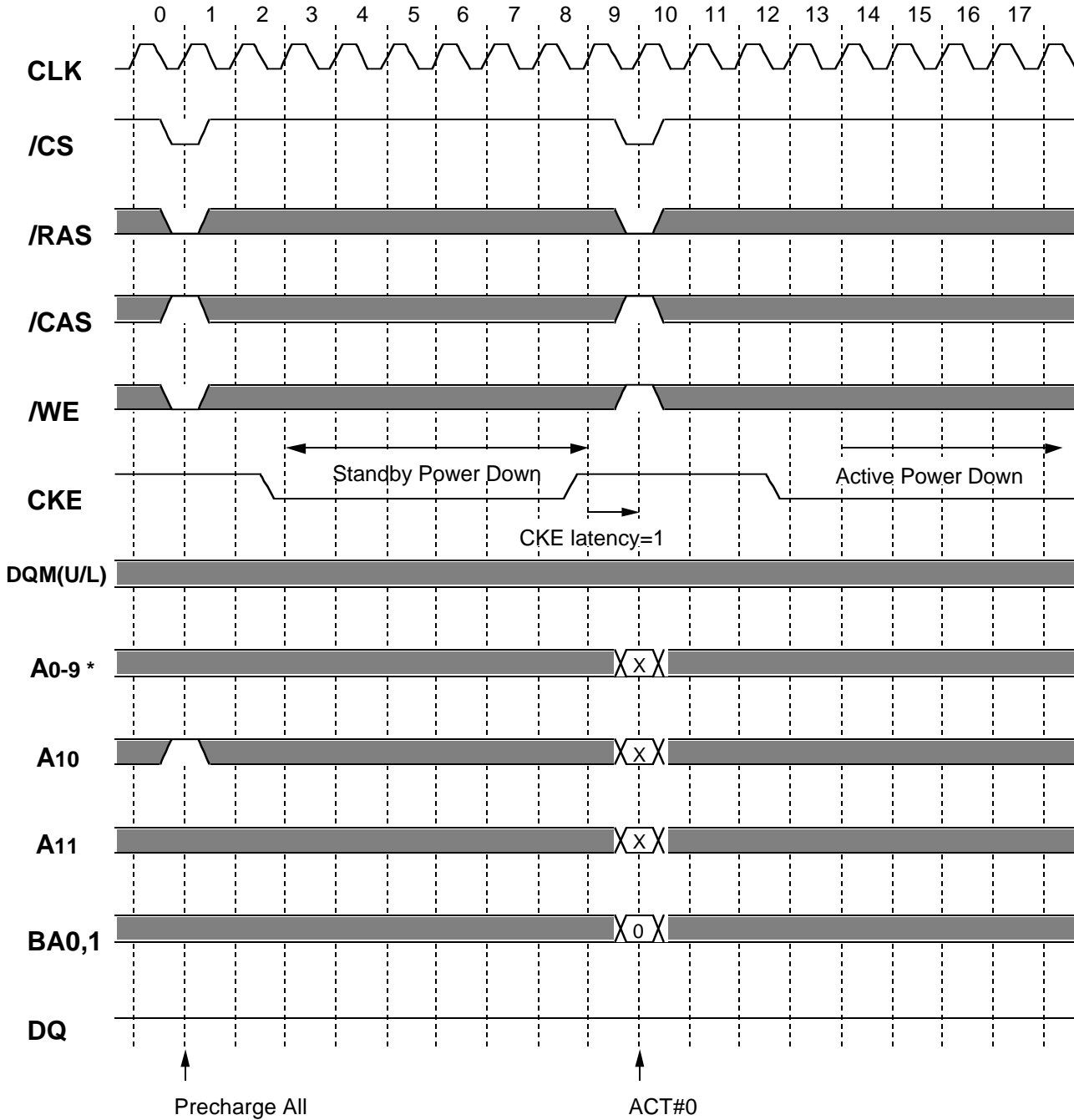
DQM Read Mask @BL=4 CL=3



Italic parameter indicates minimum case

* A9 (x8) and A8,A9 (x16) for column address of read/write are don't care

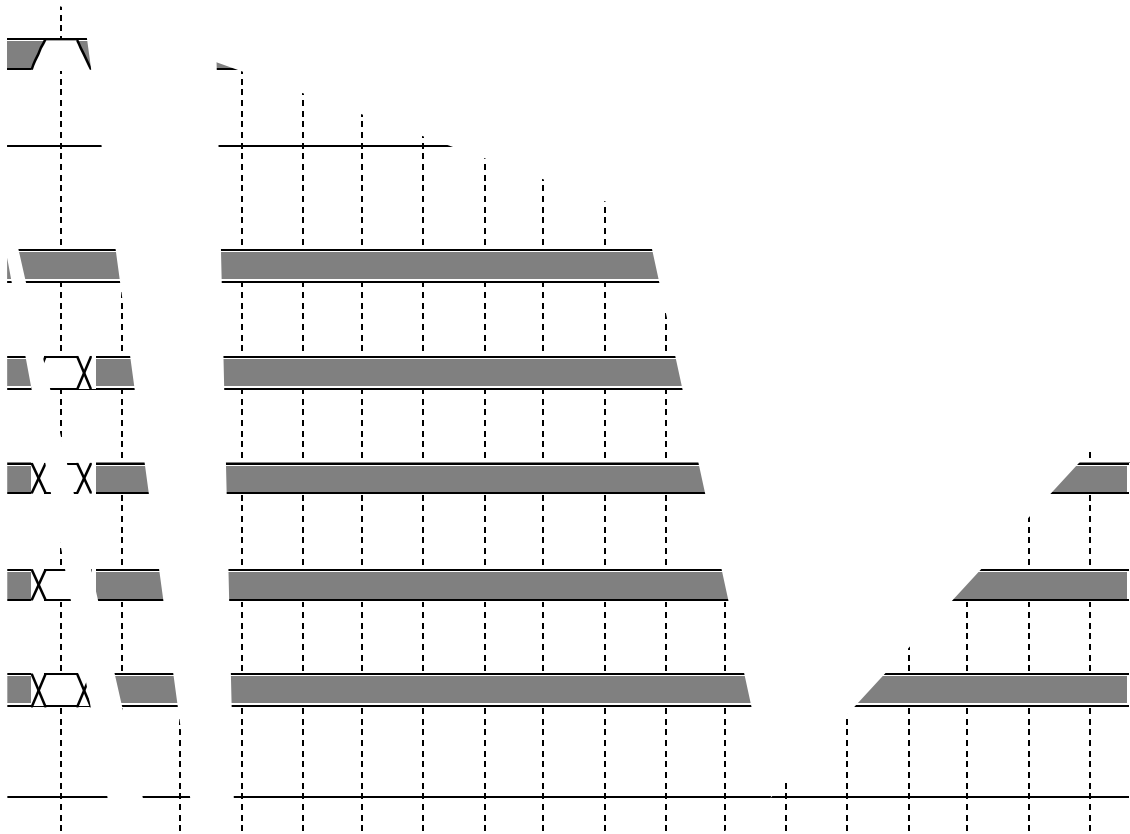
Power Down



Italic parameter indicates minimum case

* A9 (x8) and A8,A9 (x16) for column address of read/write are don't care

L



10-10 (4-10) for bus address of read/write are don't care

Keep safety first in your circuit designs!

Mitsubishi Electric Corporation puts the maximum effort into making semiconductor products better and more reliable, but there is always the possibility that trouble may occur with them.

Trouble with semiconductors consideration to safety when making your circuit designs, with appropriate measures such as (i) placement of substitutive, auxiliary circuits, (ii) use of non-flammable material or (iii) prevention against any malfunction or mishap.

Notes regarding these materials

1. These materials are intended as a reference to assist our customers in the selection of the Mitsubishi semiconductor product best suited to the customer's application; they do not convey any license under any intellectual property rights, or any other rights, belonging to Mitsubishi Electric Corporation or a third party.
2. Mitsubishi Electric Corporation assumes no responsibility for any damage, or infringement of any third-party's rights, originating in the use of any product data, diagrams, charts or circuit application examples contained in these materials.
3. All information contained in these materials, including product data, diagrams and charts, represent information on products at the time of publication of these materials, and are subject to change by Mitsubishi Electric Corporation without notice due to product improvements or other reasons. It is therefore recommended that customers contact Mitsubishi Electric Corporation or an authorized Mitsubishi Semiconductor product distributor for the latest product information before purchasing a product listed herein.
4. Mitsubishi Electric Corporation semiconductors are not designed or manufactured for use in a device or system that is used under circumstances in which human life is potentially at stake. Please contact Mitsubishi Electric Corporation or an authorized Mitsubishi Semiconductor product distributor when considering the use of a product contained herein for special applications, such as apparatus or systems for transportation, vehicular, medical, aerospace, nuclear, or undersea repeater use.
5. The prior written approval of Mitsubishi Electric Corporation is necessary to reprint or reproduce in whole or in part these materials.
6. If these products or technologies are subject to the Japanese export control restrictions, they must be exported under a license from the Japanese government and cannot be imported into a country other than the approved destination. Any diversion or reexport contrary to the export control laws and regulations of Japan and/or the country of destination is prohibited.
7. Please contact Mitsubishi Electric Corporation or an authorized Mitsubishi Semiconductor product distributor for further details on these materials or the products contained therein.