

**PLEASE CHECK WWW.MOLEX.COM FOR LATEST PART INFORMATION**

**Part Number:** [0304901012](#)  
**Status:** **Active**  
**Overview:** [minifit\\_jr](#)  
**Description:** Mini-Fit® Grounding Pin 30490, 18-24 AWG, Bag, Phosphor Bronze Select Gold (Au)

**Documents:**

[Drawing \(PDF\)](#) [RoHS Certificate of Compliance \(PDF\)](#)

**General**

Product Family	Crimp Terminals
Series	<a href="#">30490</a>
Comments	Grounding Pin
Crimp Quality Equipment	Yes
Overview	<a href="#">minifit_jr</a>
Product Name	Mini-Fit®

**Physical**

Gender	Male
Material - Metal	Phosphor Bronze
Material - Plating Mating	Gold
Material - Plating Termination	Tin-Lead
Packaging Type	Bag
Plating min: Mating (µin)	30
Plating min: Mating (µm)	0.76
Termination Interface: Style	Crimp or Compression
Wire Insulation Diameter	1.30-3.10mm (.051-.122")
Wire Size AWG	18, 20, 22, 24
Wire Size mm²	N/A

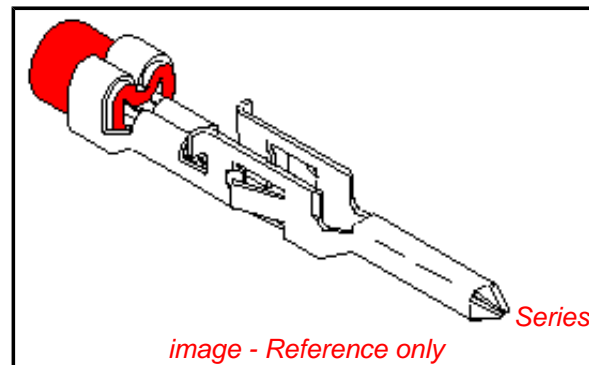
**Electrical**

Current - Maximum per Contact	9A
-------------------------------	----

**Material Info**

**Reference - Drawing Numbers**

Packaging Specification	PK-5556-003
Sales Drawing	SD-30490-***2



**EU RoHS**

**ELV and RoHS  
Compliant**  
**REACH SVHC  
Contains SVHC: No**  
**Halogen-Free  
Status**

**China RoHS**



**Need more information on product  
environmental compliance?**

Email [productcompliance@molex.com](mailto:productcompliance@molex.com)  
 For a multiple part number RoHS Certificate of Compliance, [click here](#)

Please visit the [Contact Us](#) section for any non-product compliance questions.

**Search Parts in this Series**

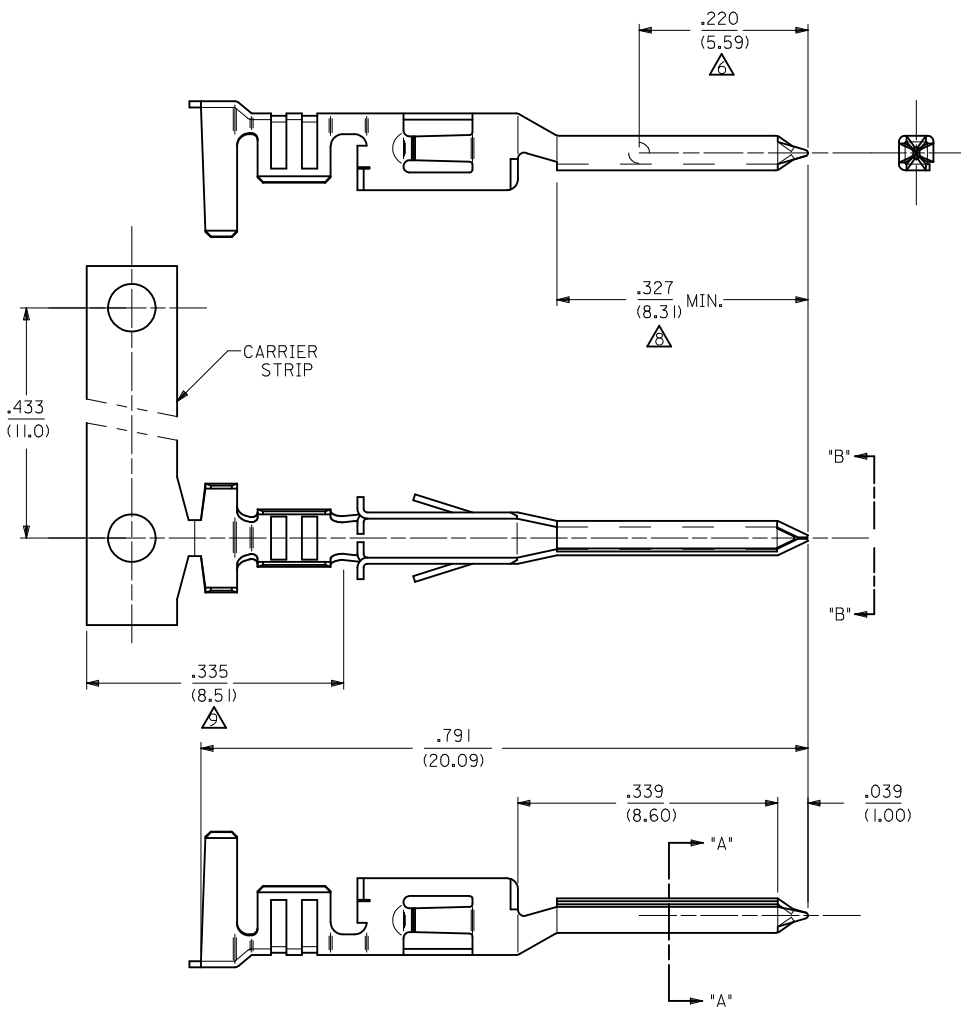
[30490Series](#)

**Application Tooling | FAQ**

*Tooling specifications and manuals are found by selecting the products below. Crimp Height Specifications are then contained in the Application Tooling Specification document.*

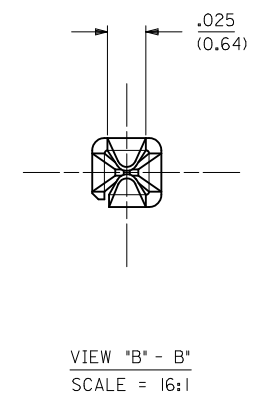
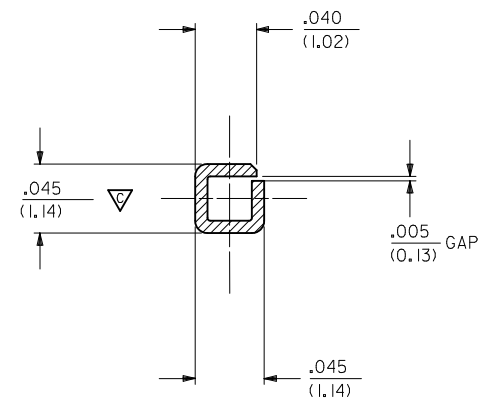
**Global**

Description	Product #
Extraction Tool	<a href="#">0011030044</a>
Hand Crimp Tool for Mini-Fit™ Jr. Male and Female Crimp Terminals, 16-24 AWG	<a href="#">0638190900</a>



NOTES:

- 1- MATERIAL: PHOSPHOR BRONZE ALLOY C52100
- 2- FINISH:
  - (A) - SELECTIVE GOLD PLATE .000030/(0.00076)MIN., AND SELECTIVE TIN .000100/(0.00254) OVER .000050/(0.00127) NICKEL OVERALL.
  - (B) - .000100/(0.00254) TIN OVER .000050/(0.00127) NICKEL.
- 3- PRODUCT SPECIFICATION: TBD.
- 4- PACKAGING INFORMATION: SEE SHEET 2 FOR CHAIN PK-555-003 FOR LOOSE TERMINALS
- 5-FOR USE WITH ASSEMBLY NO. A-30490-0001.
- ▲ -MEASURING POINT FOR PLATING THICKNESS.
- ▼ 7-TERMINAL CANNOT BE USED IN 42475 OR 43558 HOUSINGS.
- △ -GOLD PLATING AREA.
- △ -TIN PLATING AREA.



SECTION "A - A"  
SCALE = 16:1

30490-9902	B	CHAIN	RIGHT TO LEFT (SEE SHT. 2)	4000	18-24
30490-9802	A	CHAIN	RIGHT TO LEFT (SEE SHT. 2)		
30490-2012	B	LOOSE	RIGHT TO LEFT (SEE SHT. 2)		
30490-2002	B	CHAIN	LEFT TO RIGHT (SEE SHT. 2)	4000	18-24
30490-1012	A	LOOSE	RIGHT TO LEFT (SEE SHT. 2)		
30490-1002	A	CHAIN	LEFT TO RIGHT (SEE SHT. 2)		
ITEM NO.	PLATING	FORM	UNREEL DIRECTION	QTY. PER REEL	WIRE GAGE REF.
AFTER PLATING					

MODIFIED NOTES EC NO: UCP2010-0471 DRWN: JAGUILAR 2009/12/23 CHKD: JEBEL 2009/12/23 APPR: FSMITH 2009/12/28	QUALITY SYMBOLS ▼=1 ▽=1	GENERAL TOLERANCES (UNLESS SPECIFIED) <table border="1"> <tr> <th></th> <th>mm</th> <th>INCH</th> </tr> <tr> <td>4 PLACES ±</td> <td>---</td> <td>---</td> </tr> <tr> <td>3 PLACES ±</td> <td>---</td> <td>±.010</td> </tr> <tr> <td>2 PLACES ±</td> <td>0.25</td> <td>±.015</td> </tr> <tr> <td>1 PLACE ±</td> <td>0.38</td> <td>±---</td> </tr> </table> ANGULAR ± 5°		mm	INCH	4 PLACES ±	---	---	3 PLACES ±	---	±.010	2 PLACES ±	0.25	±.015	1 PLACE ±	0.38	±---	DIMENSION STYLE IN/MM	SCALE 8:1	DESIGN UNITS INCH	THIRD ANGLE PROJECTION
		mm	INCH																		
4 PLACES ±	---	---																			
3 PLACES ±	---	±.010																			
2 PLACES ±	0.25	±.015																			
1 PLACE ±	0.38	±---																			
DRAWN BY BBW	DATE 92/ 1/22	CHECKED BY DATE	APPROVED BY DATE	MATERIAL NO. SEE CHART	DOCUMENT NO. SD-30490-***2	SHEET NO. 1 OF 2															

DRAFT WHERE APPLICABLE MUST REMAIN WITHIN DIMENSIONS

THIS DRAWING CONTAINS INFORMATION THAT IS PROPRIETARY TO MOLEX INCORPORATED AND SHOULD NOT BE USED WITHOUT WRITTEN PERMISSION

13

12

11

10

9

8

7

6

30490

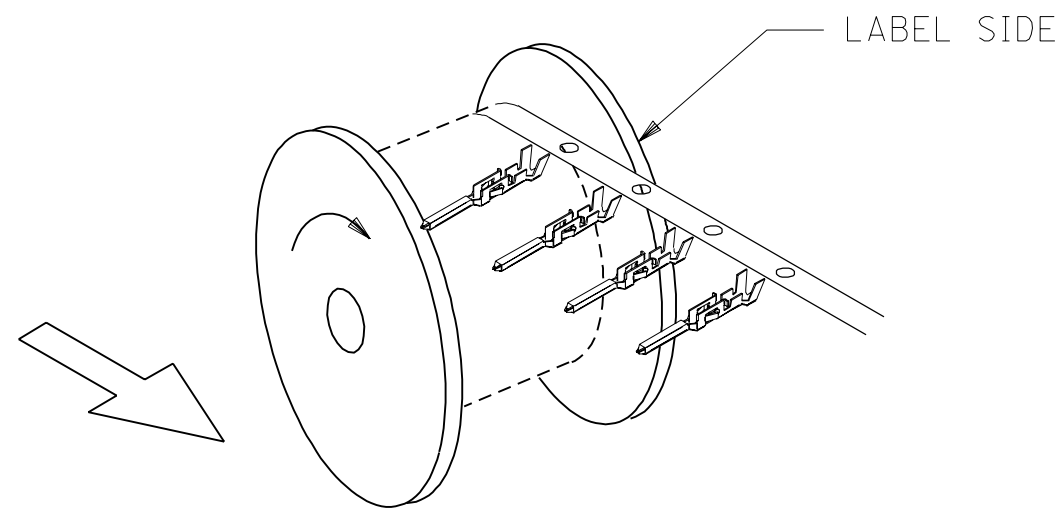
4

3

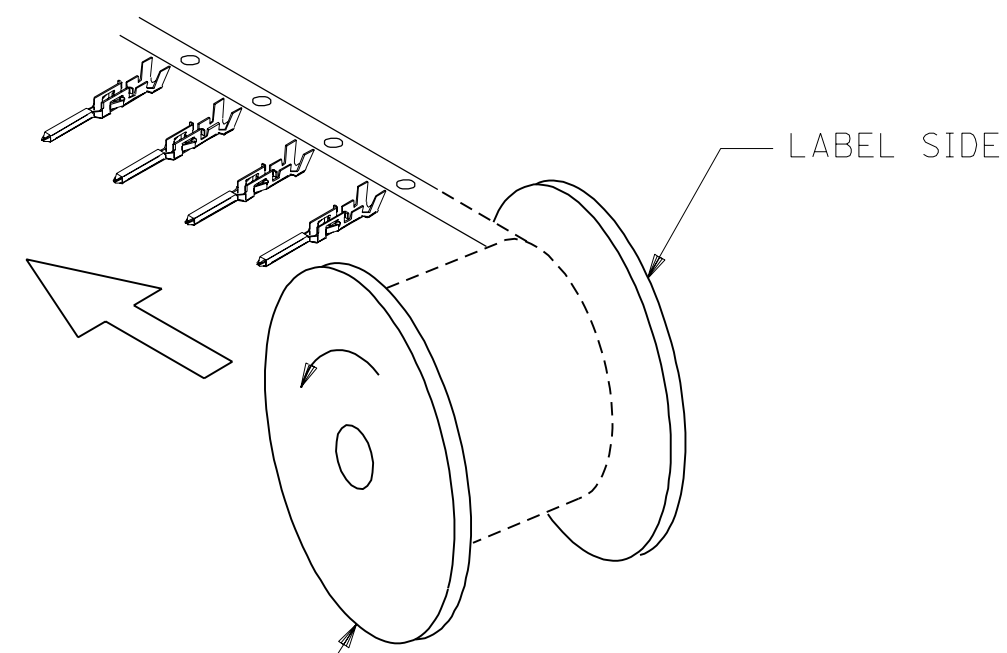
2

1

LEFT TO RIGHT  
UNREELING



RIGHT TO LEFT  
UNREELING



RED FLANGE NO. 70180-0659  
 EDP NO. 85-06-0002  
 FOR (RED) 3 REEL CARTON  
 PART NO. 70180-0479  
 EDP NO. 85-01-0479

THIS IS SPECIAL PACKAGING -  
 ALL NON-AIRBAG CUSTOMERS  
 WILL USE STANDARD PACKAGING

C	SEE SHEET 1
	PDC 94/12/09

MFG.	SH.	REV.	LTR.	REVISIONS
------	-----	------	------	-----------

DIMENSIONS SHOWN (METRIC) INCH  
 UNLESS OTHERWISE SPECIFIED  
 TOLERANCES: ANGULAR ± 1/2°

	INCH	METRIC
3 PLACE	± .005	---
2 PLACE	± .01	± 0.13
1 PLACE	---	± 0.25

DRAFT WHERE APPLICABLE MUST  
 REMAIN WITHIN DIMENSIONS

▽ = 0    ▼ = 0    REVISE ONLY ON CAD SYSTEM

TITLE  
 CRIMP TERMINAL  
 MINI-FIT STYLE

MOLEX INCORPORATED  
 LISLE, ILL. 60532 U.S.A.

PART NO. 30490-\*\*\*2  
 DRWG. NO. SD-30490-\*\*\*2

SHEET NO. 2  
 DATE 92/1/22

DRWG. BY BBW  
 APP'D. BY  
 CHK'D. BY  
 SCALE

THIS DRAWING CONTAINS INFORMATION THAT IS PROPRIETARY TO  
 MOLEX INC. AND SHOULD NOT BE USED WITHOUT WRITTEN PERMISSION.

FILE NAME ST304902 DGN  
 DIV. A  
 SIZE C

13

12

11

10

9

8

7

6

5

4

3

2

I NO P.S.

30490