

PRELIMINARY

DESCRIPTION:

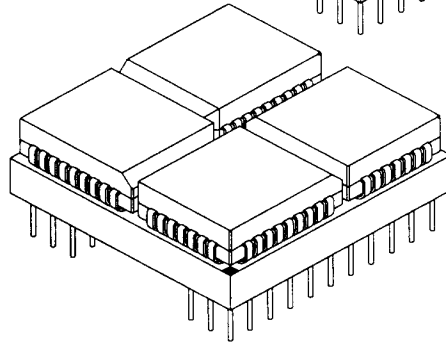
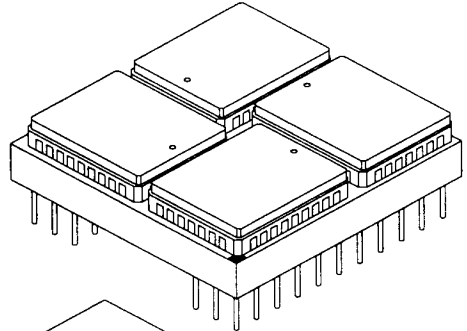
The DPZ32X32V is a 32K x 32 FLASH electrically erasable and programmable read only memory module built with four 32K x 8 FLASH memory devices. The module is a 66-pin PGA that can accept either 32-pin plastic PLCC packages or 32-pin ceramic LCC packages.

The DPZ32X32V can be built with 32K x 8 devices from most vendors of FLASH type memories. Since the DPZ32X32V module has no support logic, the electrical characteristics in the device manufacturers data sheet can be used to support this product.

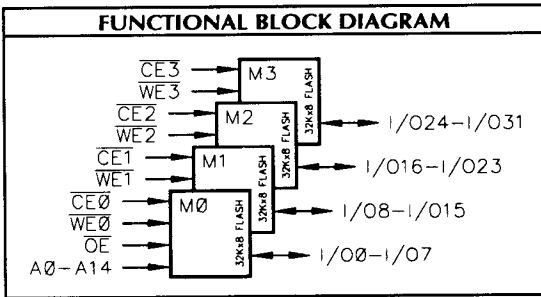
The DPZ32X32V is ideally suited for systems that may require code or data updates in the field, or data acquisition systems that may need to store data in nonvolatile memory.

FEATURES:

- User Definable Configuration:
32K x 32, 64K x 16 or 128K x 8
- In-System Programming and Erasing
- Pin Compatible with DPZ64X32V and DPZ128X32V
- Military Modules Available with All Semiconductor Components Compliant to MIL-STD-883; Class B
- 66-Pin Ceramic PGA Package



7



PIN NAMES	
A0 - A14	Address Inputs
I/O0 - I/O31	Data In/Out
CE0 - CE3	Chip Enables
WE0 - WE3	Write Enables
OE	Output Enable
VDD	Power (+5V)
VSS	Ground
N.C.	No Connect

PIN-OUT DIAGRAM

1 I/O8	12 WET	23 I/O15	34 I/O24	45 VDD	56 I/O31
2 I/O9	13 CET	24 I/O14	35 I/O25	46 CE3	57 I/O30
3 I/O10	14 VSS	25 I/O13	36 I/O26	47 WE3	58 I/O29
4 A13	15 I/O11	26 I/O12	37 A6	48 I/O27	59 I/O28
5 A14	16 A10	27 OE	38 A7	49 A3	60 A0
6 N.C.	17 A11	28 N.C.	39 VPP	50 A4	61 A1
7 N.C.	18 A12	29 WE0	40 A8	51 A5	62 A2
8 N.C.	19 VDD	30 I/O7	41 A9	52 WE2	63 I/O23
9 I/O0	20 CE0	31 I/O6	42 I/O16	53 CE2	64 I/O22
10 I/O1	21 N.C.	32 I/O5	43 I/O17	54 VSS	65 I/O21
11 I/O2	22 I/O3	33 I/O4	44 I/O18	55 I/O19	66 I/O20

(TOP VIEW)

FOR FURTHER INFORMATION
SEE CHAPTER 10
FOR COMPLETE DATA SHEET