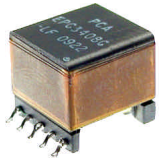


## EPC3410G-LF

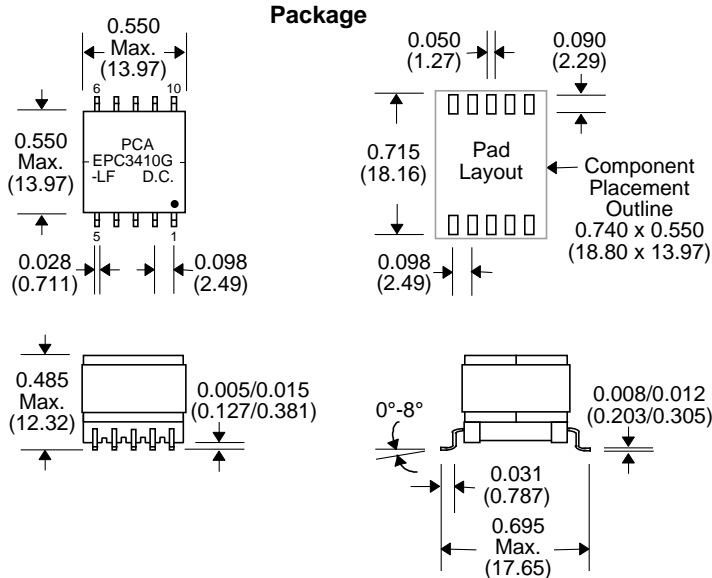


- Designed to work with LT42691 Chip
- Storage Temperature : -40°C to +125°C
- Operating Temperature : -40°C to +85°C
- Small Size and Cost Effective
- Max. Duty Cycle : 42%
- Lead Free

### Electrical Parameters @ 25° C

Primary OCL ( $\mu\text{H} \pm 10\%$ )	Input Voltage (Vdc)	Secondary Output	Auxiliary Output	Leakage Inductance ( $\mu\text{H}$ Max.)	Turns Ratio	DCR ( Max.)		
						Pri.	Sec.	Aux.
@ 100 KHz, 1.0 Vrms				@ 100 KHz, 1.0 Vrms	Aux : Pri : Sec.	Pri.	Sec.	Aux.
37	36-57	12 (2 A)	12 (200 mA)	0.30	1:1.8:0.9	0.085	0.030	0.09
Pins 3-5	Pins 3-5	Pins 10-6	Pins 1-2	Pins 3-5 with others shorted	Pins1-2:3-5:10-6	Pins 3-5	Pins 10-6	Pins 1-2

- Isolation : 1500 Vrms (Wdg-Wdg, Wdgs. to Core) •



Notes :	EPC3410G-LF
1. Lead Finish	Hot Dipped Sn or SnCu
2. Peak Solder Rating	245°C
3. Weight	5.6 grams
4. Packaging Information	Tube :
	Tape & Reel :
	40 pieces/tube
	400 pieces/13" reel

Unless Otherwise Specified Dimensions are in Inches /mm  $\pm .010 / .25$