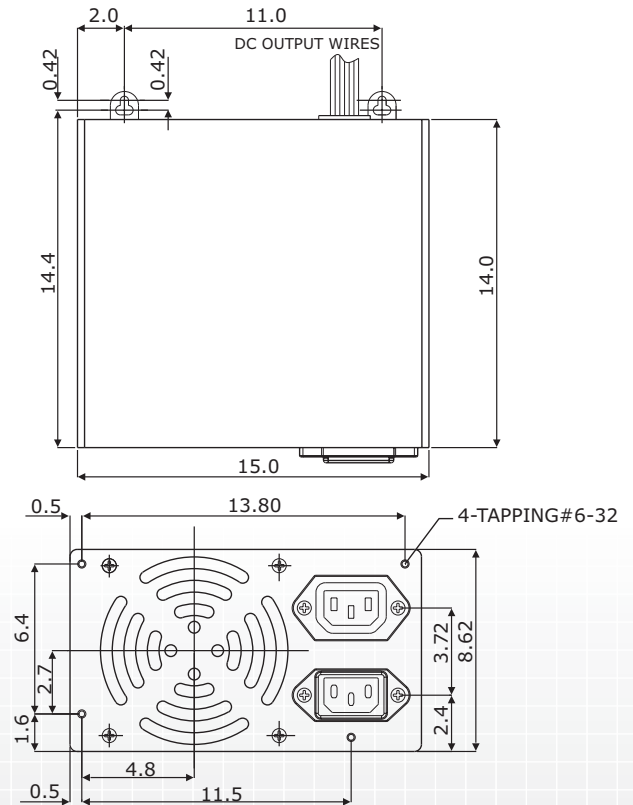
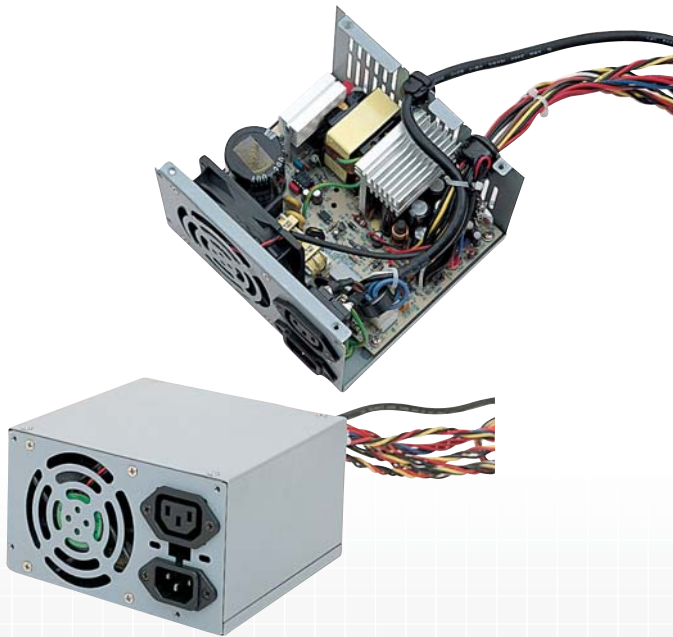


# MPE-825A

280W AC-DC ATX Power Supply

Industrial Power Supply  
AC-DC



## FEATURES

- \***Input Voltage:** 90~130VAC or 180~260VAC, auto switchable
- \***Input Frequency:** 47~63Hz
- \***Inrush Current:** Does not exceed 40A at 115VAC input or 80A at 230VAC input, at cold start 25°C
- \***Ripple And Noise:** Peak to peak ripple and noise for each output is < 1% of each output voltage at rated load 115~230VAC
- \***Line Regulation:** < +/-1% at rated load with +/-10% change in input voltage
- \***Load Regulation:** The output voltage load regulation is less than the values on the table when each output loading changes +/-40% from 60% rated load while all other outputs at 60% rated load
- \***Hold Up Time:** > 20ms at 115VAC input and rated load measured from the end of the last charging pulse to when the main output drops down to 95% output voltage
- \***Power Good Signal:** Goes high 100~500ms after all DC output are ready
- \***Power Failure:** Goes low 0.5ms before any DC output falls
- \***Power On:** TTL compatible signal (active low) used to switch ON the main output. When power on is disconnected from secondary common, all outputs except +5Vsb are turned off
- \***Efficiency:** > 65% at nominal line and rated load
- \***Altitude:** 10,000 feet
- \***Protection:**  
 Short Circuit: Hiccup mode function against short circuit or over load conditions auto restarts when fault conditions are removed  
 Output: Built-in crowbar circuit automatically shuts down outputs to avoid damaging external circuits. Trip point of O.V.P. circuit is between 5.7~7.0V
- \***Temperature:** 0~70°C (operating); -40~+75°C (storage)
- \***Humidity:** 5~95%; non-condensing at 40°C (operating)
- \***Connectors:**  
 AC Input/Output: Meets IEC 320/CEE 22 standard  
 ATX Connector: Alex 9358-20 or equivalent device  
 3.5" Disk Drive: AMP 1-480424-0/171822-4 or equivalent device
- \***Dimensions:** 14.0 x 15.0 x 8.62 cm with +/-0.8mm and +/-0.4mm tolerance between mounting holes
- \***MTBF:** 119,695 hrs.

## SAFETY STANDARDS

- \***Safety:** UL 1950 / CSA 22.2 No.234 / VDE EN60950
- \***EMI:** FCC class B / EN55022B
- \***EMS:** Level 3 of IEC-801, 802, 803, 804

PIN	Output
Red	+5V
Yellow	GND
Brown	+12V
Grey	-12V
Black	+5V
White	GND
Orange	+12V
Purple	-12V
Green	PWR On

Output Voltage	Min. Load	Rated Load	Max. Load	Tolerance
+5V	0A	25A	30A	+/-0.2V
+12V	0.1A	10A	15A	+/-0.24V
-12V	0A	0.5A	1A	+/-0.6V
-5V	0A	0.5A	1A	+/-0.25V
+3.3V	0A	8A	15A	+/-0.17V
+5Vsb	0A	0.72A	1.5A	+/-0.25V