

R8830

16-Bit RISC Microcontroller User's Manual

RDC ***RISC DSP Controller***

RDC Semiconductor Co., Ltd

<http://www.rdc.com.tw>

Tel. 886-3-666-2866

Fax 886-3-563-1498

Contents

1.	Features	6
2.	Block Diagram	7
3.	Pin Configuration	8
3.1	PQFP	8
3.2	LQFP	9
3.3	R8830 PQFP & LQFP Pin-Out Table	10
4.	Pin Description	11
4.1	R8830 I/O Characteristics of Each Pin	16
5.	Basic Application System Block	19
6.	Read/Write Timing Diagram	20
7.	Crystal Characteristics	22
8.	Execution Unit	23
8.1	General Registers	23
8.2	Segment Registers	24
8.3	Instruction Pointer and Status Flags Registers	24
8.4	Address Generation	26
9.	Peripheral Control Block Registers	27

10. Power Save & Power Down.....	29
11. Reset.....	32
12. Bus Interface Unit	34
12.1 Memory and I/O Interface	34
12.2 Data Bus.....	34
12.3 Wait States	35
12.4 Bus Hold	35
12.5 Bus Width	38
13. Chip Select Unit.....	39
13.1 $\overline{\text{UCS}}$	39
13.2 $\overline{\text{LCS}}$	40
13.3 $\overline{\text{MCSx}}$	41
13.4 $\overline{\text{PCSx}}$	43
14. Interrupt Controller Unit.....	44
14.1 Master Mode and Slave Mode	44
14.2 Interrupt Vector, Type and Priority	46
14.3 Interrupt Requests	46
14.4 Interrupt Acknowledge	47
14.5 Programming the Registers.....	47
15. DMA Unit.....	61
15.1 DMA Operation	61
15.2 External Requests	66
15.3 Serial Port/DMA Transfer	68
16. Timer Control Unit	69

16.1	Timer/Counter Unit Output Mode	73
17.	Watchdog Timer.....	75
18.	Asynchronous Serial Port.....	77
18.1	Serial Port Flow Control	77
18.1.1	DCE/DTE Protocol.....	78
18.1.2	CTS/RTR Protocol.....	78
18.2	DMA Transfer to/from a Serial Port Function	79
18.3	The Asynchronous Modes Description	79
19.	PIO Unit	84
19.1	PIO Multi-Function Pin List Table.....	84
20.	PSRAM Control Unit.....	88
21.	Instruction Set OPCODEs and Clock Cycles.....	89
22.	R8830 Execution Timings.....	93
23.	DC Characteristics	94
23.1	Absolute Maximum Rating.....	94
23.2	Recommended DC Operating Conditions	94
23.3	DC Electrical Characteristics.....	94
24.	AC Characteristics	95
25.	Thermal Characteristics.....	104
26.	Package Information.....	105

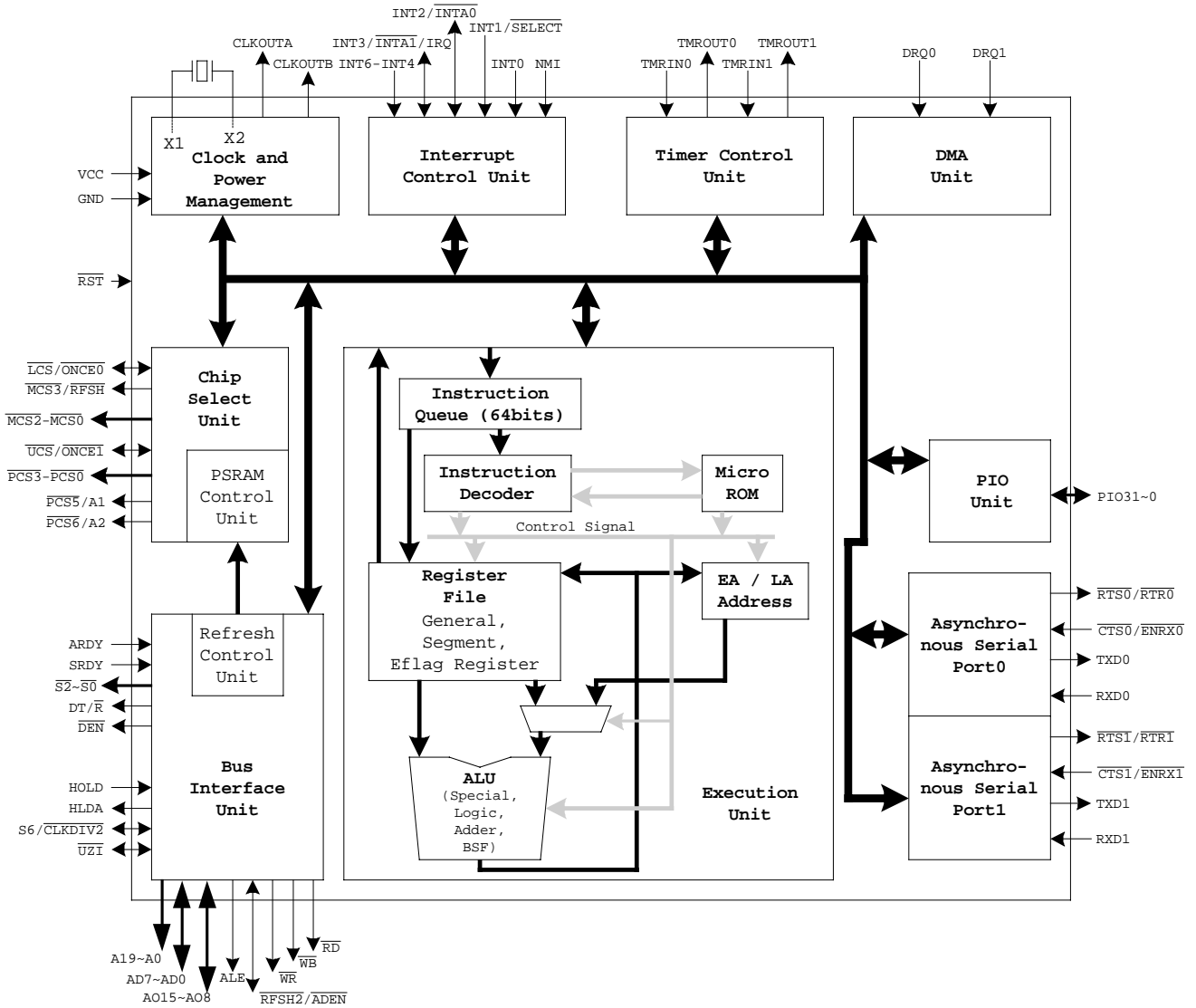
26.1	PQFP.....	105
26.2	LQFP.....	106
27.	Revision History	107

16-Bit Microcontroller with 8-bit external data bus

1. Features

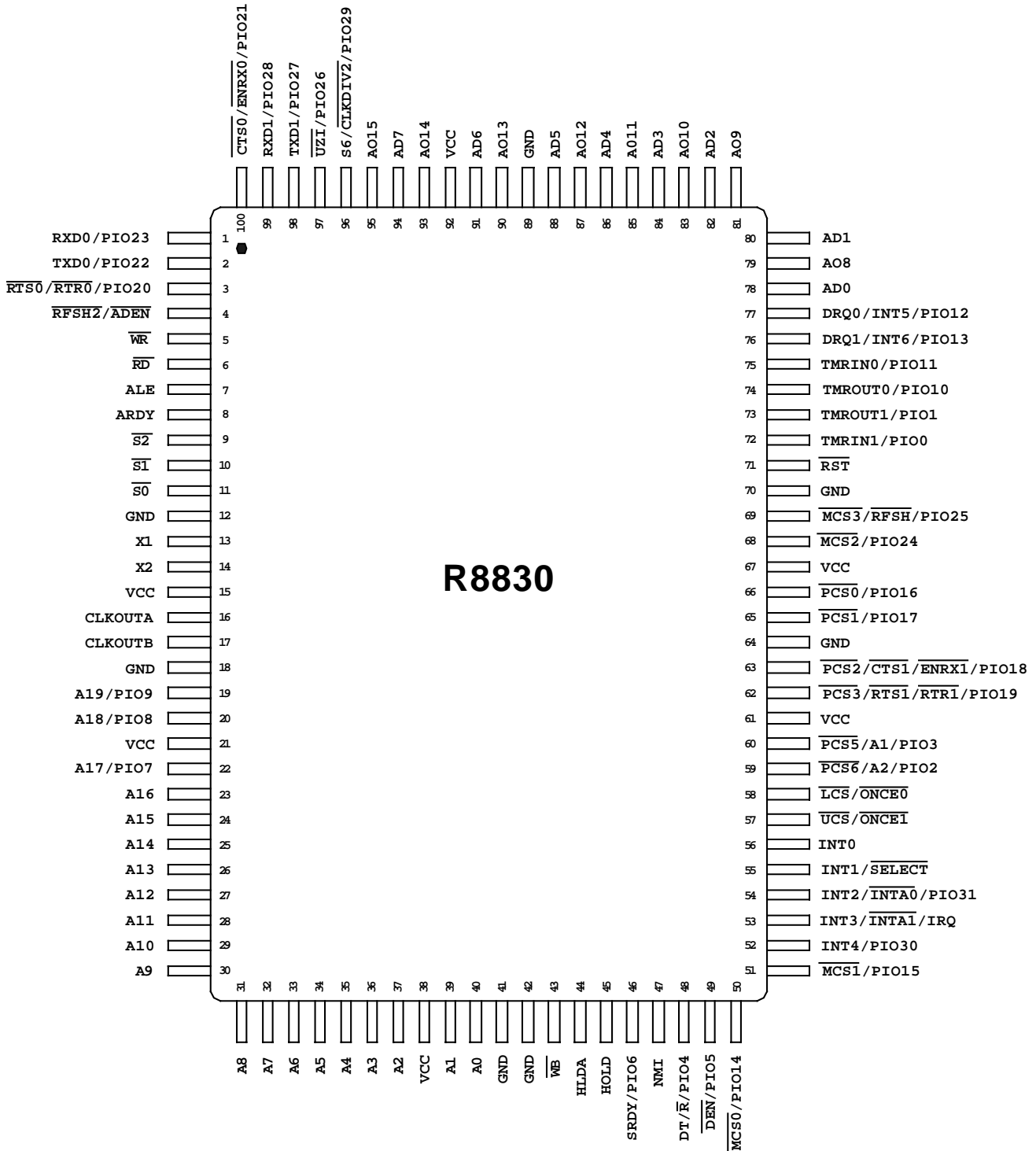
- RISC architecture
 - Static Design & Synthesizable design
 - Bus interface
 - Multiplexed address and Data bus which is compatible with 80C188 microprocessor
 - Supports non-multiplexed address bus [A19:A0]
 - 1M-Byte memory address space
 - 64K-byte I/O space
 - Software compatible with the 80C186
 - Supports two Asynchronous serial channels with hardware handshaking signals.
 - Supports serial ports with DMA transfers
 - Supports CPU ID
 - Supports 32 PIO pins
 - PSRAM (Pseudo static RAM) interface with auto-refresh control
 - Three independent 16-bit timers and one independent watchdog timer
 - The Interrupt controller with seven maskable external interrupts and one non-maskable external interrupt
 - Two independent DMA channels
 - Programmable chip-select logic for Memory or I/O bus cycle decoder
 - Programmable wait-state generator
-

2. Block Diagram

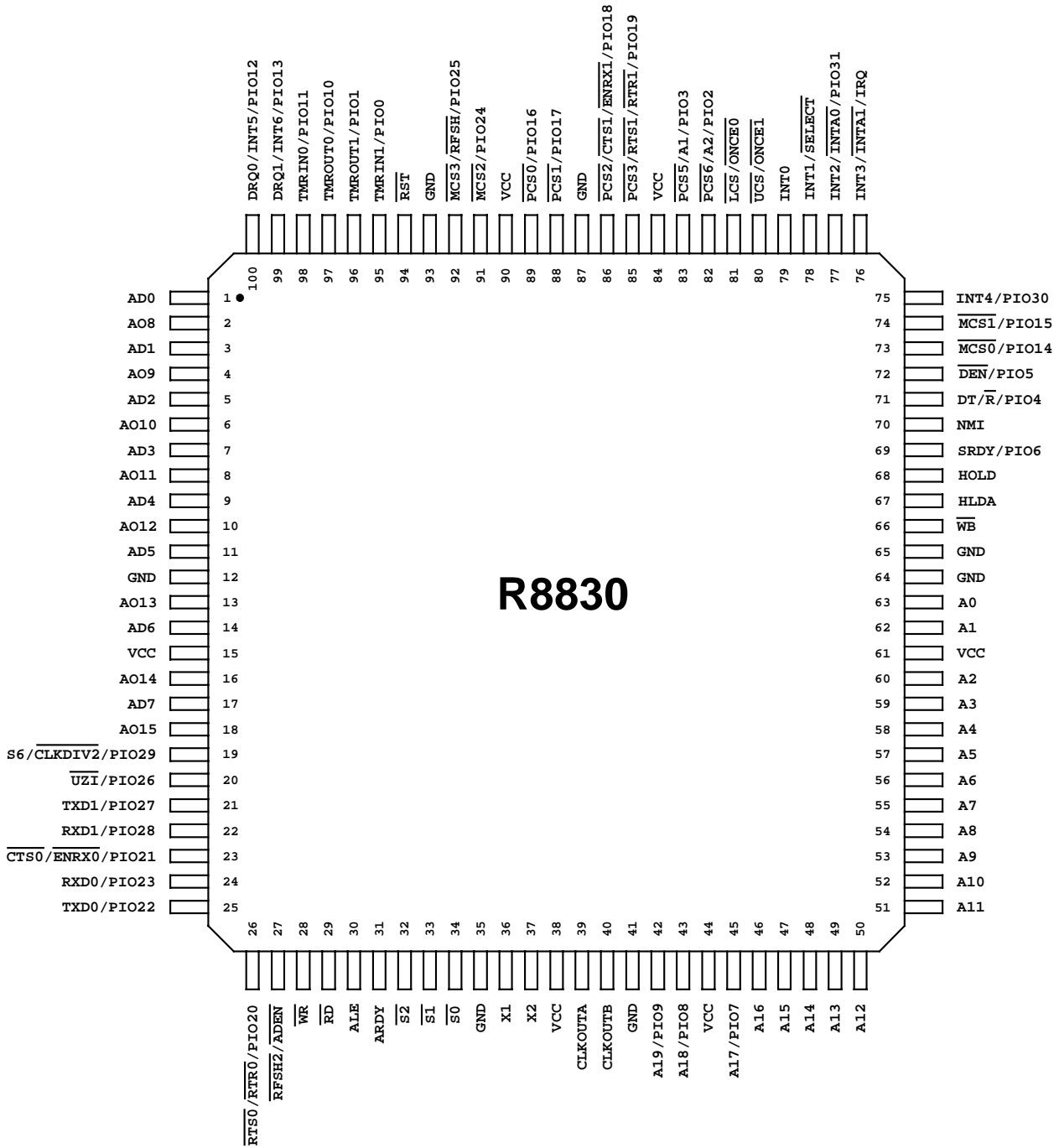


3. Pin Configuration

3.1 PQFP



3.2 LQFP



3.3 R8830 PQFP & LQFP Pin-Out Table

Pin name	LQFP Pin No.	PQFP Pin No.	Pin name	LQFP Pin No.	PQFP Pin No.
AD0	1	78	A11	51	28
AO8	2	79	A10	52	29
AD1	3	80	A9	53	30
AO9	4	81	A8	54	31
AD2	5	82	A7	55	32
AO10	6	83	A6	56	33
AD3	7	84	A5	57	34
AO11	8	85	A4	58	35
AD4	9	86	A3	59	36
AO12	10	87	A2	60	37
AD5	11	88	VCC	61	38
GND	12	89	A1	62	39
AO13	13	90	A0	63	40
AD6	14	91	GND	64	41
VCC	15	92	GND	65	42
AO14	16	93	$\overline{\text{WB}}$	66	43
AD7	17	94	HLDA	67	44
AO15	18	95	HOLD	68	45
$\overline{\text{S6}}/\overline{\text{CLKDIV2}}/\overline{\text{PIO29}}$	19	96	SRDY/PIO6	69	46
$\overline{\text{UZI}}/\overline{\text{PIO26}}$	20	97	NMI	70	47
TXD1/PIO27	21	98	DT/ $\overline{\text{R}}$ /PIO4	71	48
RXD1/PIO28	22	99	$\overline{\text{DEN}}$ /PIO5	72	49
$\overline{\text{CTS0}}/\overline{\text{ENRX0}}/\overline{\text{PIO21}}$	23	100	$\overline{\text{MCS0}}/\overline{\text{PIO14}}$	73	50
RXD0/PIO23	24	1	$\overline{\text{MCS1}}/\overline{\text{PIO15}}$	74	51
TXD0/PIO22	25	2	INT4/PIO30	75	52
$\overline{\text{RTS0}}/\overline{\text{RTR0}}/\overline{\text{PIO20}}$	26	3	INT3/ $\overline{\text{INTA1}}$ /IRQ	76	53
$\overline{\text{RFSH2}}/\overline{\text{ADEN}}$	27	4	INT2/ $\overline{\text{INTA0}}/\overline{\text{PIO31}}$	77	54
$\overline{\text{WR}}$	28	5	INT1/ $\overline{\text{SELECT}}$	78	55
$\overline{\text{RD}}$	29	6	INT0	79	56
ALE	30	7	$\overline{\text{UCS}}/\overline{\text{ONCE1}}$	80	57
ARDY	31	8	$\overline{\text{LCS}}/\overline{\text{ONCE0}}$	81	58
$\overline{\text{S2}}$	32	9	$\overline{\text{PCS6}}/\overline{\text{A2}}/\overline{\text{PIO2}}$	82	59
$\overline{\text{S1}}$	33	10	$\overline{\text{PCS5}}/\overline{\text{A1}}/\overline{\text{PIO3}}$	83	60
$\overline{\text{S0}}$	34	11	VCC	84	31
GND	35	12	$\overline{\text{PCS3}}/\overline{\text{RTS1}}/\overline{\text{RTR1}}/\overline{\text{PIO19}}$	85	62
X1	36	13	$\overline{\text{PCS2}}/\overline{\text{CTS1}}/\overline{\text{ENRX1}}/\overline{\text{PIO18}}$	86	63
X2	37	14	GND	87	64
VCC	38	15	$\overline{\text{PCS1}}/\overline{\text{PIO17}}$	88	65
CLKOUTA	39	16	$\overline{\text{PCS0}}/\overline{\text{PIO16}}$	89	66
CLKOUTB	40	17	VCC	90	67
GND	41	18	$\overline{\text{MCS2}}/\overline{\text{PIO24}}$	91	68
A19/PIO9	42	19	$\overline{\text{MCS3}}/\overline{\text{RFSH}}/\overline{\text{PIO25}}$	92	69
A18/PIO8	43	20	GND	93	70
VCC	44	21	$\overline{\text{RST}}$	94	71
A17/PIO7	45	22	TM $\overline{\text{RIN1}}$ /PIO0	95	72
A16	46	23	TM $\overline{\text{ROUT1}}$ /PIO1	96	73
A15	47	24	TM $\overline{\text{ROUT0}}$ /PIO10	97	74
A14	48	25	TM $\overline{\text{RIN0}}$ /PIO11	98	75
A13	49	26	DRQ1/INT6/PIO13	99	76
A12	50	27	DRQ0/INT5/PIO12	100	77

4. Pin Description

Pin No. (PQFP)	Symbol	Type	Description
15, 21, 38, 61, 67, 92	VCC	Input	System power: +5 volt power supply.
12, 18, 41, 42, 64, 70, 89	GND	Input	System ground.
71	$\overline{\text{RST}}$	Input	Reset input. When $\overline{\text{RST}}$ is asserted, the CPU immediately terminates all operations, clears the internal registers & logic, and transfers the address to the reset address FFFF0h.
13	X1	Input	Input to the oscillator amplifier.
14	X2	Output	Output from the inverted oscillator amplifier.
16	CLKOUTA	Output	Clock output A. The CLKOUTA operation is the same as that of crystal input frequency (X1). CLKOUTA remains active during reset and bus hold conditions.
17	CLKOUTB	Output	Clock output B. The CLKOUTB operation is the same as that of crystal input frequency (X1). CLKOUTB remains active during reset and bus hold conditions.
Asynchronous Serial Port Interface			
1	RXD0/PIO23	Input/Output	Receive data for asynchronous serial port 0. This pin receives asynchronous serial data.
2	TXD0/PIO22	Output/Input	Transmit data for asynchronous serial port 0. This pin transmits asynchronous serial data from the UART of the microcontrollers.
3	$\overline{\text{RTS0}} / \overline{\text{RTR0}} / \text{PIO20}$	Output/Input	Ready to Send/Ready to Receive signal for asynchronous serial port 0. When the RTS0 bit in the AUXCON register is set and the FC bit in the serial port 0 control register is set, the $\overline{\text{RTS0}}$ signal is enabled. Otherwise, when the RTS0 bit is cleared and the FC bit is set, the $\overline{\text{RTR0}}$ signal is enabled.
100	$\overline{\text{CTS0}} / \overline{\text{ENRX0}} / \text{PIO21}$	Input/Output	Clear to Send/Enable Receiver Request signal for asynchronous serial port 0. When the ENRX0 bit in the AUXCON register is cleared and the FC bit in the serial port 0 control register is set, the $\overline{\text{CTS0}}$ signal is enabled. Otherwise, when the ENRX0 bit is set and the FC bit is set, the $\overline{\text{ENRX0}}$ signal is enabled.
98	TXD1/PIO27	Output/Input	Transmit data for asynchronous serial port 0. This pin transmits asynchronous serial data from the UART of the microcontrollers.
99	RXD1/PIO28	Input/Output	Receive data for asynchronous serial port 0. This pin receives asynchronous serial data.
62	$\overline{\text{PCS3}} / \overline{\text{RTS1}} / \overline{\text{RTR1}}$	Output/Input	Ready to Send/Ready to Receive signal for asynchronous serial port 1. When the RTS1 bit in the AUXCON register is set and the FC bit in the serial port 1 register is set, the $\overline{\text{RTS1}}$ signal is enabled. Otherwise, when the RTS1 bit is cleared and the FC bit is set, the $\overline{\text{RTR1}}$ signal is enabled.
63	$\overline{\text{PCS2}} / \overline{\text{CTS1}} / \overline{\text{ENRX1}}$	Output/Input	Clear to Send/Enable Receiver Request signal for asynchronous serial port 0. When the ENRX1 bit in the AUXCON register is cleared and the FC bit in the serial port 0 control register is set, the $\overline{\text{CTS1}}$ signal is enabled. Otherwise, when the ENRX1 bit is set and the FC bit is set, the $\overline{\text{ENRX1}}$ signal is enabled.

Bus Interface																																											
4	$\overline{\text{RFSH2}} / \overline{\text{ADEN}}$	Output/Input	<p>For $\overline{\text{RFSH2}}$ feature, this pin is active low to indicate a DRAM refresh bus cycle.</p> <p>For $\overline{\text{ADEN}}$ feature, when this pin is held high on power-on reset, the address portion of the AD bus can be disabled or enabled by the DA bit in the LMCS and UMCS register during LCS or UCS bus cycle access. The $\overline{\text{RFSH2}} / \overline{\text{ADEN}}$ is with a weak internal pull-up resistor, so no external pull-up resistor is required. The AD bus always drives both address and data during LCS or UCS bus cycle access if the $\overline{\text{RFSH2}} / \overline{\text{ADEN}}$ pin is with an external pull-low resistor during reset.</p>																																								
5	$\overline{\text{WR}}$	Output	Write strobe. This pin indicates that the data on the bus is to be written into a memory or an I/O device. $\overline{\text{WR}}$ is active during T2, T3 and Tw of any write cycle, floating during a bus hold or reset.																																								
6	$\overline{\text{RD}}$	Output	Read Strobe. It's an active low signal which indicates that the microcontroller is performing a memory or I/O read cycle. $\overline{\text{RD}}$ is floating during a bus hold or reset.																																								
7	ALE	Output	Addressed latch enable. Active high. This pin indicates that an address output on the AD bus. Address is guaranteed to be valid on the trailing edge of ALE. This pin is tri-stated during ONCE mode and is never floating during a bus hold or reset.																																								
8	ARDY	Input	<p>Asynchronous ready. This pin performs the microcontroller that the address memory space or I/O device will complete a data transfer. The ARDY pin accepts a rising edge that is asynchronous to CLKOUTA and is active high. The falling edge of ARDY must be synchronized to CLKOUTA. Tie ARDY high, so the microcontroller is always asserted in the ready condition. If the ARDY is not used, tie this pin low to yield control to SRDY.</p> <p>Both SRDY and ARDY should be tied to high if the system need not assert wait states by externality.</p>																																								
9 10 11	$\overline{\text{S2}}$ $\overline{\text{S1}}$ $\overline{\text{S0}}$	Output	<p>Bus cycle status. These pins are encoded to indicate the bus status. $\overline{\text{S2}}$ can be used as memory or I/O indicator. $\overline{\text{S1}}$ can be used as DT/$\overline{\text{R}}$ indicator. These pins are floating during hold and reset.</p> <table border="1" style="width: 100%; border-collapse: collapse;"> <thead> <tr> <th colspan="4" style="text-align: center;">Bus Cycle Encoding Description</th> </tr> <tr> <th style="text-align: center;">$\overline{\text{S2}}$</th> <th style="text-align: center;">$\overline{\text{S1}}$</th> <th style="text-align: center;">$\overline{\text{S0}}$</th> <th style="text-align: center;">Bus Cycle</th> </tr> </thead> <tbody> <tr> <td style="text-align: center;">0</td> <td style="text-align: center;">0</td> <td style="text-align: center;">0</td> <td>Interrupt acknowledge</td> </tr> <tr> <td style="text-align: center;">0</td> <td style="text-align: center;">0</td> <td style="text-align: center;">1</td> <td>Read data from I/O</td> </tr> <tr> <td style="text-align: center;">0</td> <td style="text-align: center;">1</td> <td style="text-align: center;">0</td> <td>Write data to I/O</td> </tr> <tr> <td style="text-align: center;">0</td> <td style="text-align: center;">1</td> <td style="text-align: center;">1</td> <td>Halt</td> </tr> <tr> <td style="text-align: center;">1</td> <td style="text-align: center;">0</td> <td style="text-align: center;">0</td> <td>Instruction fetch</td> </tr> <tr> <td style="text-align: center;">1</td> <td style="text-align: center;">0</td> <td style="text-align: center;">1</td> <td>Read data from memory</td> </tr> <tr> <td style="text-align: center;">1</td> <td style="text-align: center;">1</td> <td style="text-align: center;">0</td> <td>Write data to memory</td> </tr> <tr> <td style="text-align: center;">1</td> <td style="text-align: center;">1</td> <td style="text-align: center;">1</td> <td>Passive</td> </tr> </tbody> </table>	Bus Cycle Encoding Description				$\overline{\text{S2}}$	$\overline{\text{S1}}$	$\overline{\text{S0}}$	Bus Cycle	0	0	0	Interrupt acknowledge	0	0	1	Read data from I/O	0	1	0	Write data to I/O	0	1	1	Halt	1	0	0	Instruction fetch	1	0	1	Read data from memory	1	1	0	Write data to memory	1	1	1	Passive
Bus Cycle Encoding Description																																											
$\overline{\text{S2}}$	$\overline{\text{S1}}$	$\overline{\text{S0}}$	Bus Cycle																																								
0	0	0	Interrupt acknowledge																																								
0	0	1	Read data from I/O																																								
0	1	0	Write data to I/O																																								
0	1	1	Halt																																								
1	0	0	Instruction fetch																																								
1	0	1	Read data from memory																																								
1	1	0	Write data to memory																																								
1	1	1	Passive																																								
19 20 22 23-37 39, 40	A19/PIO9 A18/PIO8 A17/PIO7 A16-A2 A1, A0	Output/Input	Address bus. Non-multiplexed memory or I/O address. The A bus is one-half of a CLKOUTA period earlier than the AD bus. These pins are high-impedance during a bus hold or reset.																																								
78,80,82,84, 86,	AD0-AD7	Input/Output	The multiplexed address and data bus for memory or I/O accessing. The address is present during the t1 clock phase, and																																								

88,91,94			<p>the data bus phase is in t2-t4 cycle.</p> <p>The address phase of the AD bus can be disabled when the $\overline{\text{RFSH2}} / \overline{\text{ADEN}}$ pin is with an external pull-low resistor during reset.</p> <p>The AD bus is in high-impedance state during bus hold or reset conditions and this bus is also used to load system configuration information (with pull-up or pull-low resistors) into the RESCON(F6h) register when the reset input goes from low to high.</p>
79,81,83,85,87,90,93,95	AO8-AO15	Output	Address Only Bus, In the multiplexed address bus, the AO15 – AO8 combine with the AD7 – AD0 to form a 16-bit address bus. These pins are floating during a bus hold or reset.
43	$\overline{\text{WB}}$	Output	Write Byte. This pin is active low to indicate a write cycle on the bus. It is floating during reset.
44	HLDA	Output	Bus hold acknowledge. Active high. The microcontroller will issue an HLDA in response to a HOLD request by external bus master at the end of T4 or Ti. When the microcontroller is in hold status (HLDA is high), the AO15-AO8, AD7-AD0, A19-A0, $\overline{\text{WR}}$, $\overline{\text{RD}}$, $\overline{\text{DEN}}$, $\overline{\text{S0}} - \overline{\text{S1}}$, $\overline{\text{S6}}$, $\overline{\text{RFSH2}}$, $\overline{\text{DT}} / \overline{\text{R}}$, and $\overline{\text{WB}}$ are floating, and the $\overline{\text{UCS}}$, $\overline{\text{LCS}}$, $\overline{\text{PCS6}} - \overline{\text{PCS5}}$, $\overline{\text{MCS3}} - \overline{\text{MCS0}}$ and $\overline{\text{PCS3}} - \overline{\text{PCS0}}$ will be driven high. After HOLD is detected as being low, the microcontroller will lower HLDA.
45	HOLD	Input	Bus hold request. Active high. This pin indicates that another bus master is requesting the local bus.
46	SRDY/PIO6	Input/Output	<p>Synchronous ready. This pin performs the microcontroller that the address memory space or I/O device will complete a data transfer. The SRDY pin accepts a falling edge that is asynchronous to CLKOUTA and is active high. SRDY is accomplished by elimination of the one-half clock period required to internally synchronize ARDY. Tie SRDY high, so the microcontroller is always asserted in the ready condition. If the SRDY is not used, tie this pin low to yield control to ARDY.</p> <p>Both SRDY and ARDY should be tied to high if the system need not assert wait states by externality.</p>
48	$\overline{\text{DT}} / \overline{\text{R}} / \text{PIO4}$	Output/Input	Data transmit or receive. This pin indicates the direction of data flow through an external data-bus transceiver. When $\overline{\text{DT}} / \overline{\text{R}}$ is asserted low, the microcontroller receives data. When $\overline{\text{DT}} / \overline{\text{R}}$ is asserted high, the microcontroller writes data to the data bus.
49	$\overline{\text{DEN}} / \text{PIO5}$	Output/Input	Data enable. This pin is provided as a data bus transceiver output enable. $\overline{\text{DEN}}$ is asserted during memory and I/O access. $\overline{\text{DEN}}$ is driven high when $\overline{\text{DT}} / \overline{\text{R}}$ changes states. It is floating during bus hold or reset conditions.
96	$\overline{\text{S6}} / \overline{\text{CLKDI}} / \text{PIO29}$	Output/Input	Bus cycle status bit6/clock divided by 2. For S6 feature, this pin is low to indicate a microcontroller-initiated bus cycle or high to indicate a DMA-initiated bus cycle during T2, T3, Tw and T4. For $\overline{\text{CLKDI}}$ feature, the internal clock of microcontroller is the external clock divided by 2. (CLKOUTA , $\text{CLKOUTB} = X1/2$) if this pin is held low during power-on reset. The pin is sampled on the rising edge of $\overline{\text{RST}}$.
97	$\overline{\text{UZI}} / \text{PIO26}$	Output/Input	Upper zero indicate. This pin is the logical OR of the inverted

			A19-A16. It is asserted in the T1 and is held throughout the cycle.
Chip Select Unit Interface			
50 51 68 69	$\overline{\text{MCS0}}/\text{PIO14}$ $\overline{\text{MCS1}}/\text{PIO15}$ $\overline{\text{MCS2}}/\text{PIO24}$ $\overline{\text{MCS3}}/\text{RFSH}/\text{PIO25}$	Output/Input	Midrange memory chip selects. For $\overline{\text{MCS}}$ feature, these pins are active low when the $\overline{\text{MMCS}}$ (A6h) register is enabled to access a memory. The address ranges are programmable. $\overline{\text{MCS3}} - \overline{\text{MCS0}}$ are held high during bus holds. When the $\overline{\text{LMCS}}$ (A2h) register is programmed, pin69 is as a $\overline{\text{RFSH}}$ pin to auto refresh the PSRAM.
57	$\overline{\text{UCS}}/\overline{\text{ONCE1}}$	Output/Input	Upper memory chip select/ONCE mode request 1. For $\overline{\text{UCS}}$ feature, this pin is active low when system accesses the defined portion memory block of the upper 512K-byte (80000h-FFFFFh) memory region. $\overline{\text{UCS}}$ default active address region is from F0000h to FFFFFh after power-on reset. The address range for $\overline{\text{UCS}}$ is programmed by software. For $\overline{\text{ONCE1}}$ feature, if $\overline{\text{ONCE0}}$ and $\overline{\text{ONCE1}}$ are sampled low on the rising edge of $\overline{\text{RST}}$. The microcontroller enters ONCE mode. In ONCE mode, all pins are high-impedance. This pin incorporates a weak pull-up resistor.
58	$\overline{\text{LCS}}/\overline{\text{ONCE0}}$	Output/Input	Lower memory chip select/ONCE mode request 0. For $\overline{\text{LCS}}$ feature, this pin is active low when the microcontroller accesses the defined portion memory block of the lower 512K (00000h-7FFFFh) memory region. The address range for $\overline{\text{LCS}}$ is programmed by software. For $\overline{\text{ONCE0}}$ feature, see $\overline{\text{UCS}}/\overline{\text{ONCE1}}$ description. This pin incorporates a weak pull-up resistor.
59 60	$\overline{\text{PCS6}}/\text{A2}/\text{PIO2}$ $\overline{\text{PCS5}}/\text{A1}/\text{PIO3}$	Output/Input	Peripheral chip selects/latched address bit. For $\overline{\text{PCS}}$ feature, these pins are active low when the microcontroller accesses the fifth or sixth region of the peripheral memory (I/O or memory space). The base address of $\overline{\text{PCS}}$ is programmable. These pins are asserted with the AD address bus and are not floating during bus holds. For latched address bit feature. These pins output the latched address A2 and A1 when the EX bit is cleared in the $\overline{\text{PCS}}$ and $\overline{\text{MCS}}$ auxiliary register. The A2 and A1 retains previous latched data during bus holds.
62 63 65 66	$\overline{\text{PCS3}}/\overline{\text{RTS1}}/\overline{\text{RTR1}}/\text{PIO19}$ $\overline{\text{PCS2}}/\overline{\text{CTS1}}/\overline{\text{ENRX1}}/\text{PIO18}$ $\overline{\text{PCS1}}/\text{PIO17}$ $\overline{\text{PCS0}}/\text{PIO16}$	Output/Input	Peripheral chip selects. These pins are active low when the microcontroller accesses the defined memory area of the peripheral memory block (I/O or memory address). For I/O accessed, the base address can be programmed in the region 00000h to 0FFFFh. For memory address access, the base address can be located in the 1M-byte memory address region. These pins are asserted with the multiplexed AD address bus and are not floating during bus holds.
Interrupt Control Unit Interface			
47	NMI	Input	Non-maskable Interrupt. The NMI is the highest priority hardware interrupt and is non-maskable. When this pin is asserted (NMI transition from low to high), the microcontroller always transfers the address bus to the location specified by the non-maskable interrupt vector in the microcontroller interrupt vector table. The NMI pin must be asserted for at least one

			CLKOUTA period to guarantee that the interrupt is recognized.
52	INT4/PIO30	Input/Output	Maskable interrupt request 4. Act high. This pin indicates that an interrupt request has occurred. The microcontroller will jump to the INT4 address vector to execute the service routine if INT4 is enabled. The interrupt input can be configured to be either edge- or level-triggered. The requesting device must hold INT4 until the request is acknowledged to guarantee interrupt recognition.
53	INT3/ $\overline{\text{INTA1}}$ /IRQ	Input/Output	Maskable interrupt request 3/interrupt acknowledge 1/slave interrupt request. For INT3 feature, except the differences in interrupt line and interrupt address vector, the function of INT3 is the same as that of INT4. For $\overline{\text{INTA1}}$ feature, in cascade mode or special fully-nested mode, this pin corresponds to INT1. For IRQ feature, when the microcontroller is as a slave device, this pin issues an interrupt request to the master interrupt controller.
54	INT2/ $\overline{\text{INTA0}}$ /PIO31	Input/Output	Maskable interrupt request 2/interrupt acknowledge 0. For INT2 feature, except the differences in interrupt line and interrupt address vector, the function of INT2 is the same as that of INT4. For $\overline{\text{INTA0}}$ feature, in cascade mode or special fully-nested mode, this pin corresponds to INT0.
55	INT1/ $\overline{\text{SELECT}}$	Input/Output	Maskable interrupt request 1/slave select. For INT1 feature, except the differences in interrupt line and interrupt address vector, the function of INT1 is the same as that of INT4. For $\overline{\text{SELECT}}$ feature, when the microcontroller is as a slave device, this pin is driven from the master interrupt controller decoding. This pin is active to indicate that an interrupt appears on the address and data bus. INT0 must be activated before $\overline{\text{SELECT}}$ is activated when the interrupt type appears on the bus.
56	INT0	Input/Output	Maskable interrupt request 0. Except the differences in interrupt line and interrupt address vector, the function of INT0 is the same as that of INT4.
Timer Control Unit Interface			
72 75	TMRIN1/PIO0 TMRIN0/PIO11	Input/Output	Timer input. These pins can be as clock or control signal input, which depend upon the programmed timer mode. After internally synchronizing low to high transitions on TMRIN, the timer controller increments. These pins must be pulled up if not being used.
73 74	TMROUT1/PIO1 TMROUT0/PIO10	Output/Input	Timer output. Depending on timer mode select, these pins provide single pulse or continuous waveforms. The duty cycle of the waveform can be programmable. These pins are floating during a bus hold or reset.
DMA Unit Interface			
76 77	DRQ1/INT6/PIO13 DRQ0/INT5/PIO12	Input/Output	DMA request. These pins are asserted high by an external device when the device is ready for DMA channel 1 or channel 0 to perform a transfer. These pins are level-triggered and internally synchronized. The DRQ signals are not latched and must remain active until finish is serviced. For INT6/INT5 function: When the DMA function is not being used, INT6/INT5 can be used as an additional external interrupt request. They share the corresponding interrupt type and register control bits. The INT6/5 are level-triggered only

			and must not necessary to be held until the interrupt is acknowledged. (Such high levels keep interrupt requests.)
--	--	--	--

Notes:

1. When PIO mode and direction registers are set, 32 MUX definition pins can be set as PIO pins. For example, the DRQ1/INT6/PIO13 (pin76) can be set as PIO13.
2. The PIO status during Power-On reset: PIO1, PIO10, PIO22 and PIO23 are input with pull-downs, PIO4 to PIO9 are in normal operations, and the others are input with pull-ups.

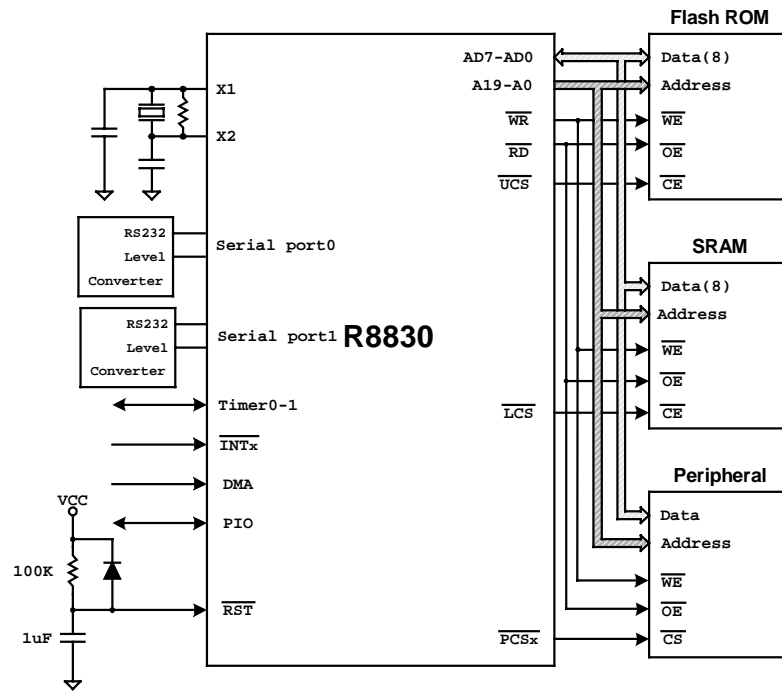
4.1 R8830 I/O Characteristics of Each Pin

PQFP Pin NO.	Pin Name	Characteristics
71	$\overline{\text{RST}}$	Schmitt Trigger input, with a 50K internal pull-up resistor
8	ARDY	Schmitt Trigger input, with a 50K internal pull-down resistor
45 47	HOLD NMI	CMOS input, with a 50K internal pull-down resistor
56 55	INT0 $\overline{\text{INT1/SELECT}}$	Schmitt Trigger TTL input, with a 10K internal pull-down resistor
16 17	CLKOUTA CLKOUTB	8mA 3-State CMOS output
9	$\overline{\text{S2}}$	Bi-directional I/O, with a 50 K internal pull-up resistor 4mA TTL output
10 11	$\overline{\text{S1}}$ $\overline{\text{S0}}$	4mA 3-State CMOS output
43 6 5	$\overline{\text{WB}}$ $\overline{\text{RD}}$ $\overline{\text{WR}}$	12mA 3-State CMOS output
19 20 22	A19/PIO9 A18/PIO8 A17/PIO7	Bi-directional I/O, with a 10K enabled/disabled internal pull-up resistor when functioning as PIO, for normal function, the 10k pull-up resistor is disabled. 16mA TTL output
23 24 25 26 27 28 29 30 31 32 33 34 35 36 37 39	A16 A15 A14 A13 A12 A11 A10 A9 A8 A7 A6 A5 A4 A3 A2 A1	16mA 3-State CMOS output

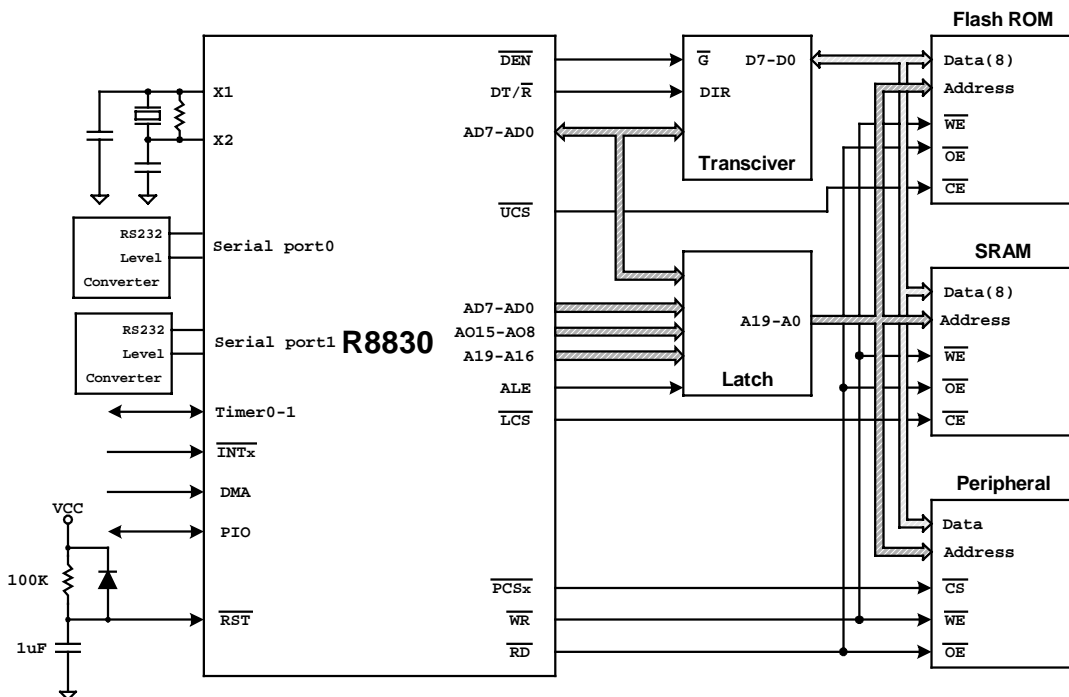
40	A0	
78	AD0	
80	AD1	
82	AD2	
84	AD3	
86	AD4	
88	AD5	
91	AD6	
94	AD7	Bi-directional I/O,
79	AO8	16mA TTL output
81	AO9	
83	AO10	
85	AO11	
87	AO12	
90	AO13	
93	AO14	
95	AO15	
7	ALE	Bi-directional I/O, with a 50 K internal pull-down resistor 4mA TTL output
46	SRDY/PIO6	
74	TMROUT0/PIO10	
73	TMROUT1/PIO1	
2	TXD0/PIO22	Bi-directional I/O, with a 10K enabled/disabled internal pull-down resistor when functioning as PIO, for normal function, the 10k pull-down resistor is disabled.
1	RXD0/PIO23	8mA TTL output
4	$\overline{\text{RFSH2}} / \overline{\text{ADEN}}$	Bi-directional I/O, with a 50 K internal pull-up resistor 4mA TTL output
44	HLDA	4mA CMOS output
54	INT2/ $\overline{\text{INTA0}}$ /PIO31	
52	INT4/PIO30	Bi-directional I/O, with a 10K enabled/disabled internal pull-up resistor when functioning as PIO, for normal function, the 10k pull-up resistor is disabled. 8mA TTL output, TTL Schmitt Trigger input
53	INT3/ $\overline{\text{INTA1}}$ /IRQ	Bi-directional I/O, with a 10 K internal pull-up resistor 8mA TTL output, TTL Schmitt Trigger input
57	$\overline{\text{UCS}} / \overline{\text{ONCE}}$	
58	$\overline{\text{LCS}} / \overline{\text{ONCE}}$	Bi-directional I/O, with a 10 K internal pull-up resistor 8mA TTL output, TTL Schmitt Trigger input

49	$\overline{\text{DEN}}$ /PIO5	
48	$\text{DT}/\overline{\text{R}}$ /PIO4	
66	$\overline{\text{PCS0}}$ /PIO16	
65	$\overline{\text{PCS1}}$ /PIO17	
63	$\overline{\text{PCS2}}/\overline{\text{CTS1}}/\overline{\text{ENRX1}}$ /PIO18	
62	$\overline{\text{PCS3}}/\overline{\text{RTS1}}/\overline{\text{RTR1}}$ /PIO19	
60	$\overline{\text{PCS5}}/\text{A1}$ /PIO3	
59	$\overline{\text{PCS6}}/\text{A2}$ /PIO2	
50	$\overline{\text{MCS0}}$ /PIO14	
51	$\overline{\text{MCS1}}$ /PIO15	
68	$\overline{\text{MCS2}}$ /PIO24	Bi-direction I/O, with enabled/disabled 10 K internal pull-up resistor when functions as PIO, for normal function, the 10k pull-up resistor is disabled. 8mA TTL output
69	$\overline{\text{MCS3}}/\overline{\text{RFSH}}$ /PIO25	
97	$\overline{\text{UZI}}$ /PIO26	
96	$\text{S6}/\overline{\text{CLKDIV2}}$ /PIO29	
75	TMRIN0 /PIO11	
72	TMRIN1 /PIO0	
77	$\text{DRQ0}/\text{INT5}$ /PIO12	
76	$\text{DRQ1}/\text{INT6}$ /PIO13	
98	TXD1 /PIO27	
99	RXD1 /PIO28	
100	$\overline{\text{CTS0}}/\overline{\text{ENRX0}}$ /PIO21	
3	$\overline{\text{RTS0}}/\overline{\text{RTR0}}$ /PIO20	

5. Basic Application System Block

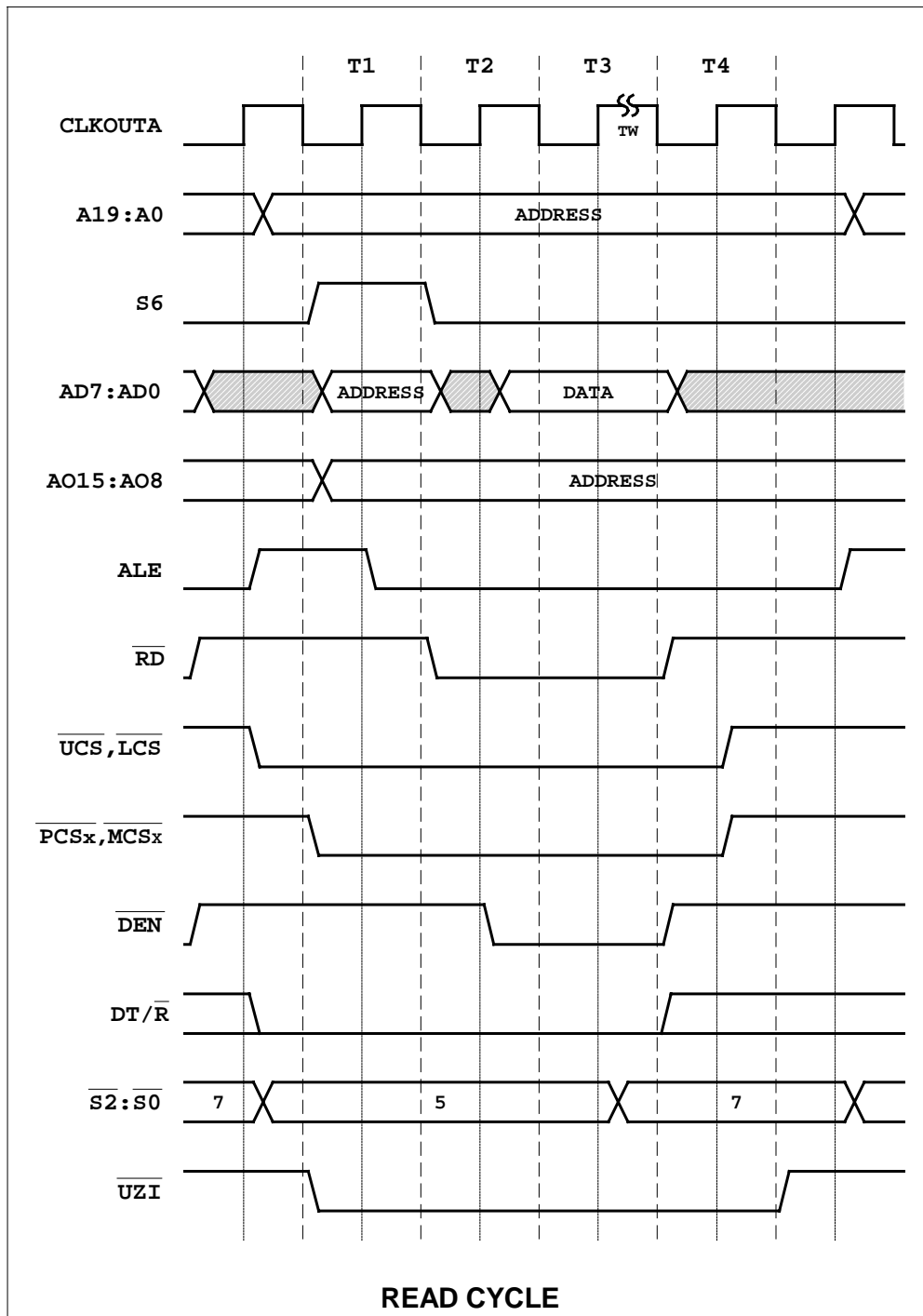


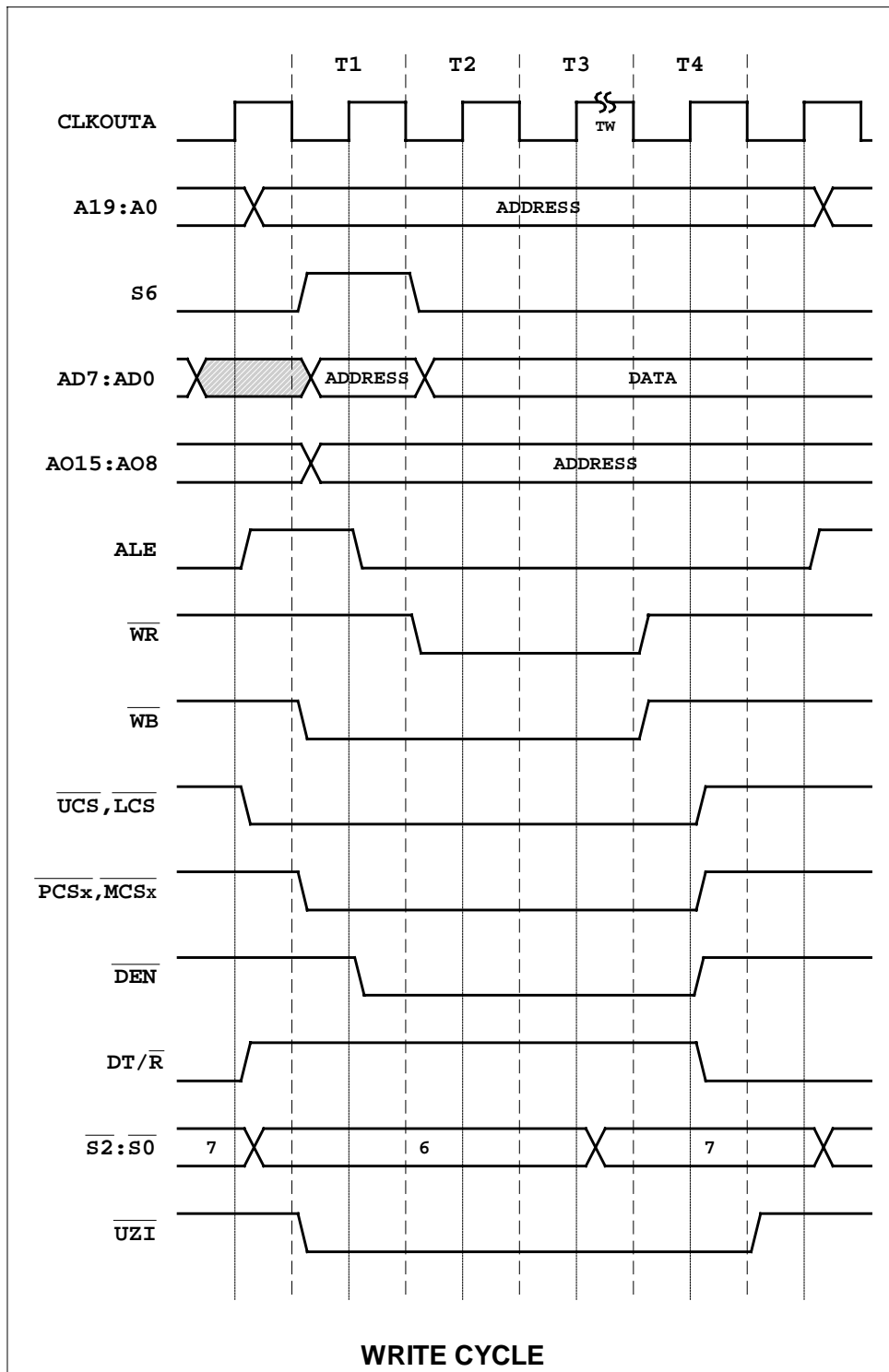
BASIC APPLICATION SYSTEM BLOCK (A)



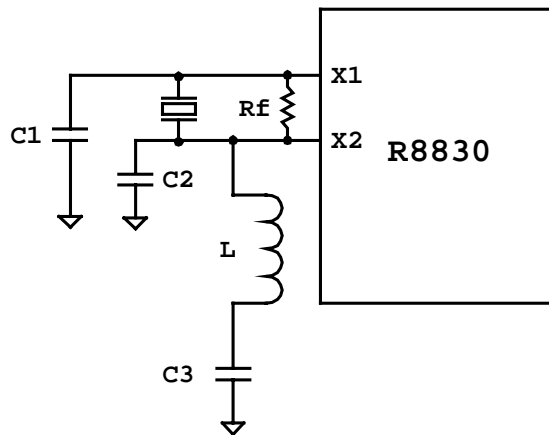
BASIC APPLICATION SYSTEM BLOCK (B)

6. Read/Write Timing Diagram





7. Crystal Characteristics



For fundamental -mode crystal:

Reference values

Frequency	10.8288MHz	19.66MHz	30MHz	33MHz	40MHz
Rf	None	None	None	None	None
C1	10Pf	10Pf	None	None	None
C2	10Pf	10Pf	10Pf	10Pf	10Pf
C3	None	None	None	None	None
L	None	None	None	None	None

For third-overtone mode crystal:

Reference values

Frequency	22.1184MHz	28.322MHz	33.177MHz	40MHz
Rf	1M	1.5M	1.5M	1.5M
C1	15Pf	15Pf	15Pf	15Pf
C2	30Pf	30Pf	30Pf	30Pf
C3	None	220Pf	220Pf	220Pf
L	None	10uL	4.7uL	2.7uL

8. Execution Unit

8.1 General Registers

The R8830 has eight 16-bit general registers and the AX, BX, CX and DX can be subdivided into two 8-bit registers (AH, AL, BH, BL, CH, CL, DH and DL). The functions of these registers are described as follows.

AX: Word Divide, Word Multiply, Word I/O operation.

AL: Byte Divide, Byte Multiply, Byte I/O, Decimal Arithmetic, Translate operation.

AH: Byte Divide, Byte Multiply operation.

BX: Translate operation.

CX: Loops, String operation

CL: Variable Shift and Rotate operation.

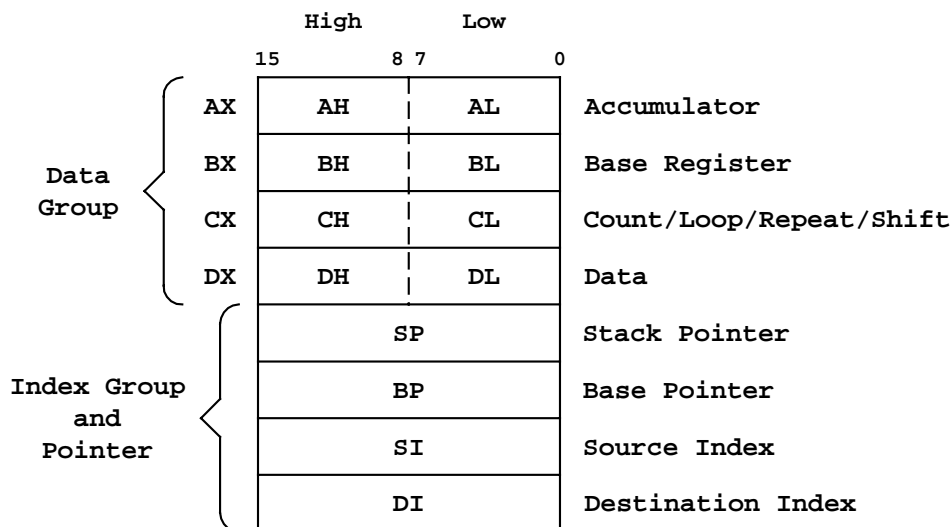
DX: Word Divide, Word Multiply, Indirect I/O operation

SP: Stack operations (POP, POPA, POPF, PUSH, PUSHA and PUSHF)

BP: General-purpose registers which can be used to determine offset address of operands in Memory.

SI: String operations

DI: String operations



GENERAL REGISTERS

8.2 Segment Registers

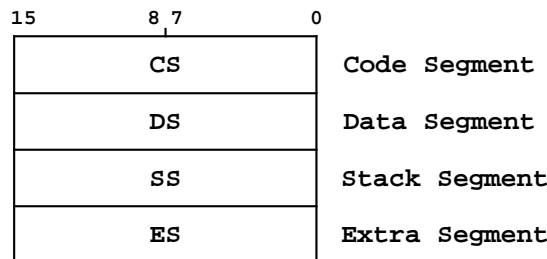
The R8830 has four 16-bit segment registers, CS, DS, SS and ES. The segment registers contain the base addresses (starting location) of these memory segments, and they are immediately addressable for code (CS), data (DS & ES) and stack (SS) memory.

CS (Code Segment): The CS register points to the current code segment, which contains instructions to be fetched. The default location memory space for all instructions is 64K. The initial value of CS register is 0FFFFh.

DS (Data Segment): The DS register points to the current data segment, which generally contains program variables. The DS register is initialized to 0000H.

SS (Stack Segment): The SS register points to the current stack segment, which is for all stack operations, such as pushes and pops. The stack segment is used for temporary space. The SS register is initialized to 0000H.

ES (Extra Segment): The ES register points to the current extra segment which is typically for data storage, such as large string operations and large data structures. The ES register is initialized to 0000H.



SEGMENT REGISTERS

8.3 Instruction Pointer and Status Flags Registers

IP (Instruction Pointer): The IP is a 16-bit register and it contains the offset of the next instruction to be fetched. Software cannot be used to directly access the IP register and this register is updated by the Bus Interface Unit. It can be changed, saved or restored as a result of program execution. The IP register is initialized to 0000H and the CS:IP starting execution address is at 0FFFF0H.

Processor Status Flags Registers
FLAGS

Reset Value : 0000h

15	14	13	12	11	10	9	8	7	6	5	4	3	2	1	0
Reserved				OF	DF	IF	TF	SF	ZF	Res	AF	Res	PF	Res	CF

These flags reflect the status after the Execution Unit is executed.

Bit 15-12: Reserved

Bit 11: OF, Overflow Flag. If an arithmetic overflow occurs, this flag will be set.

Bit 10: DF, Direction Flag. If this flag is set, the string instructions are in the process of incrementing addresses. If DF is cleared, the string instructions are in the process of decrementing addresses. Refer to the STD and CLD instructions for setting and clearing the DF flag.

Bit 9: IF, Interrupt-Enable Flag. Refer to the STI and CLI instructions for setting and clearing the IF flag.

Set 1: The CPU enables the maskable interrupt requests.

Set 0: The CPU disables the maskable interrupt requests.

Bit 8: TF, Trace Flag. Set to enable single-step mode for debugging; cleared to disable the single-step mode. If an application program sets the TF flag with POPF or IRET instruction, a debug exception is generated after the instruction (The CPU automatically generates an interrupt after each instruction) that follows the POPF or IRET instruction.

Bit 7: SF, Sign Flag. If this flag is set, the high-order bit of the result of an operation will be 1, indicating it is negative.

Bit 6: ZF, Zero Flag. If the result of operation is zero, this flag will be set.

Bit 5: Reserved

Bit 4: AF, Auxiliary Flag. If this flag is set, there will be a carry from the low nibble to the high one or a borrow from the high nibble to the low one of the AL general-purpose register. It is used in BCD operation.

Bit 3: Reserved.

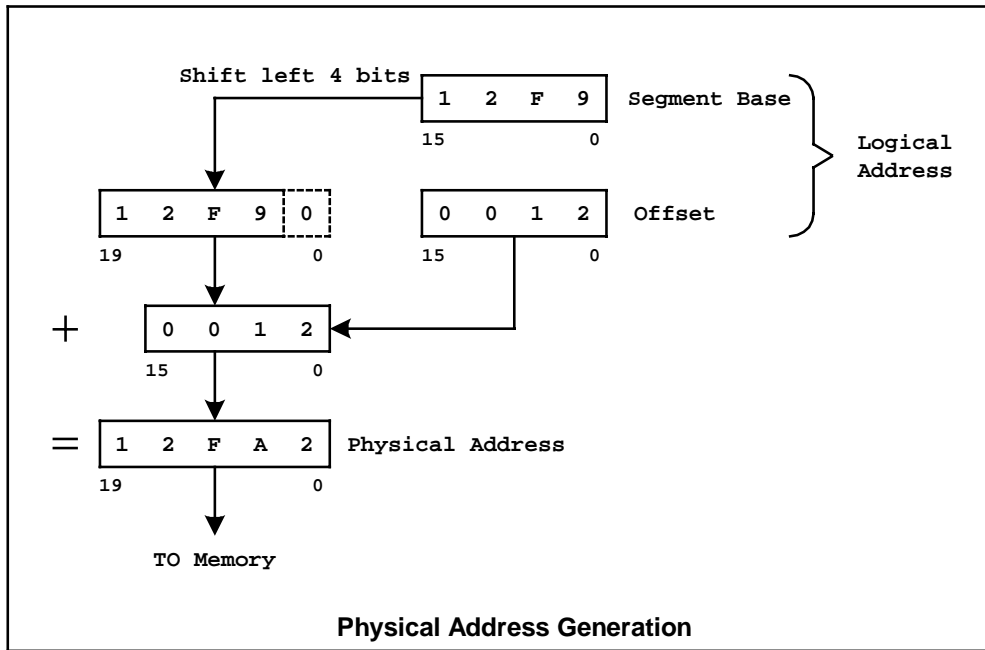
Bit 2: PF, Parity Flag. If the result of low-order 8-bit operation has even parity, this flag will be set.

Bit 1: Reserved

Bit 0: CF, Carry Flag. If CF is set, there will be a carry out or a borrow into the high-order bit of the instruction result.

8.4 Address Generation

The Execution Unit generates a 20-bit physical address to Bus Interface Unit by the Address Generation. Memory is organized in sets of segments. Each segment contains a 16-bit value. Memory is addressed with a two-component address that consists of a 16-bit segment and 16-bit offset. The Physical Address Generation figure describes how the logical address is transferred to the physical address.



9. Peripheral Control Block Registers

The peripheral control block can be mapped into either memory or I/O space by programming the FEh register and it starts at FF00h in I/O space when the microprocessor is reset. The following table is the definitions of all the peripheral Control Block Registers, and the detailed descriptions will be arranged on the related Block Unit.

Offset (HEX)	Register Name	Page	Offset (HEX)	Register Name	Page
FE	Peripheral Control Block Relocation Register	28	70	PIO Mode 0 Register	87
FA	Disable Peripheral Clock Register	31	66	Timer 2 Mode/Control Register	72
F6	Reset Configuration Register	33	62	Timer 2 Maxcount Compare A Register	73
F4	Processor Release Level Register	28	60	Timer 2 Count Register	73
F2	Auxiliary Configuration Register	38	5E	Timer 1 Mode/Control Register	71
F0	Power-Save Control Register	30	5C	Timer 1 Maxcount Compare B Register	72
E6	Watchdog Timer Control Register	75	5A	Timer 1 Maxcount Compare A Register	72
E4	Enable RCU Register	88	58	Timer 1 Count Register	72
E2	Clock Pre-scaler Register	88	56	Timer 0 Mode/Control Register	69
E0	Memory Partition Register	88	54	Timer 0 Maxcount Compare B Register	71
DA	DMA 1 Control Register	65	52	Timer 0 Maxcount Compare A Register	71
D8	DMA 1 Transfer Count Register	65	50	Timer 0 Count Register	71
D6	DMA 1 Destination Address High Register	65	46	Power Down Configuration Register	31
D4	DMA 1 Destination Address Low Register	65	44	Serial Port 0 Interrupt Control Register	48
D2	DMA 1 Source Address High Register	66	42	Serial Port 1 Interrupt Control Register	48
D0	DMA 1 Source Address Low Register	66	40	INT4 Control Register	49
CA	DMA 0 Control Register	62	3E	INT3 Control Register	49
C8	DMA 0 Transfer Count Register	64	3C	INT2 Control Register	50
C6	DMA 0 Destination Address High Register	64	3A	INT1 Control Register	50
C4	DMA 0 Destination Address Low Register	64	38	INT0 Control Register	51
C2	DMA 0 Source Address High Register	64	36	DMA 1/INT6 Interrupt Control Register	52
C0	DMA 0 Source Address Low Register	65	34	DMA 0/INT5 Interrupt Control Register	53
A8	\overline{PCS} and \overline{MCS} Auxiliary Register	42	32	Timer Interrupt Control Register	53
A6	Midrange Memory Chip Select Register	41	30	Interrupt Status Register	54
A4	Peripheral Chip Select Register	43	2E	Interrupt Request Register	55
A2	Low Memory Chip Select Register	40	2C	Interrupt In-service Register	56
A0	Upper Memory Chip Select Register	39	2A	Priority Mask Register	57
88	Serial Port 0 Baud Rate Divisor Register	82	28	Interrupt Mask Register	58
86	Serial Port 0 Receive Register	82	26	Poll Status Register	59
84	Serial Port 0 Transmit Register	82	24	Poll Register	59
82	Serial Port 0 Status Register	81	22	End-of-Interrupt Register	59
80	Serial Port 0 Control Register	79	20	Interrupt Vector Register	60
7A	PIO Data 1 Register	85	18	Serial Port 1 Baud Rate Divisor	83
78	PIO Direction 1 Register	85	16	Serial Port 1 Receive Register	83
76	PIO Mode 1 Register	86	14	Serial Port 1 Transmit Register	83
74	PIO Data 0 Register	86	12	Serial Port 1 Status Register	83
72	PIO Direction 0 Register	86	10	Serial Port 1 Control Register	83

Peripheral Control Block Relocation Register:

Offset : FEh

Reset Value : 20FFh

15	14	13	12	11	10	9	8	7	6	5	4	3	2	1	0		
Res	S/ \overline{M}	Res	M/ \overline{IO}	R19 - R8													

The peripheral control block is mapped into either memory or I/O space by programming this register. When the other chip selects (\overline{PCSx} or \overline{MCSx}) are programmed to zero wait state and the external ready is ignored, the \overline{PCSx} or \overline{MCSx} can overlap the control block.

Bit 15: Reserved

Bit 14: S/ \overline{M} , Slave/Master – Configure the interrupt controller

Set 0: Master mode, Set 1: Slaved mode

Bit 13: Reserved

Bit 12: M/ \overline{IO} , Memory/IO space. At reset, this bit is set to 0 and the PCB map starts at FF00h in I/O space.

Set 1- The peripheral control block (PCB) is located in memory space.

Set 0- The PCB is located in I/O space.

Bit 11-0: R19-R8, Relocation Address Bits

The upper address bits of the PCB base address. Defaults for the lower eight bits default are 00h. When the PCB is mapped to I/O space, the R19-R16 must be programmed to 0000b.

Processor Release Level Register

Offset : F4h

Reset Value : – D9h

15	14	13	12	11	10	9	8	7	6	5	4	3	2	1	0
PRL								1	1	0	1	1	0	0	1

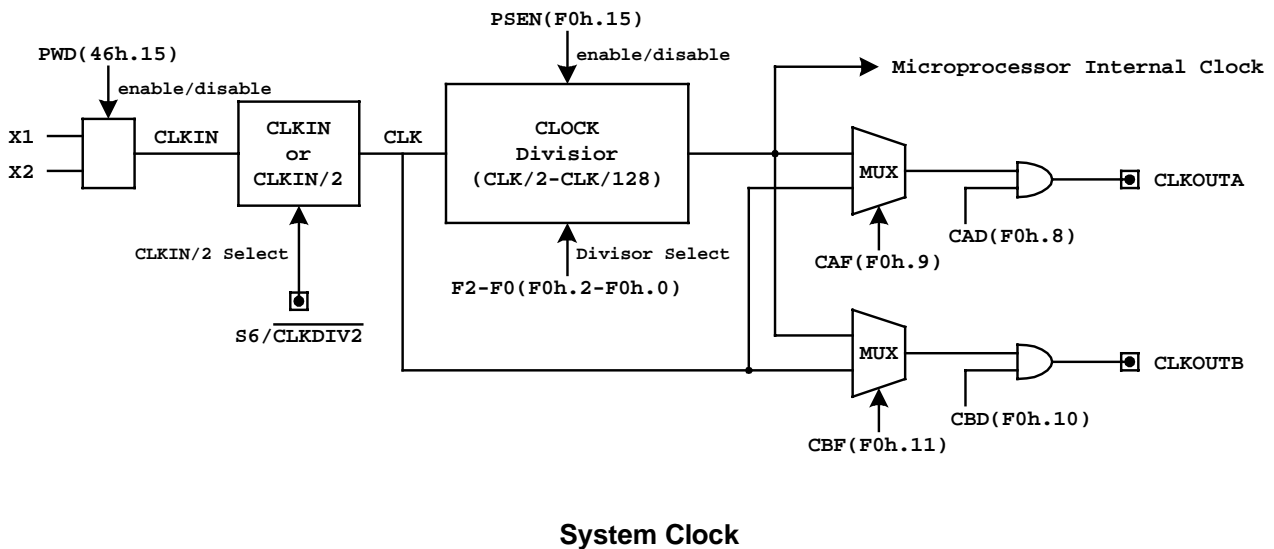
This is a read-only register that specifies the processor release version and RDC identification number

Bit 15-8: Processor version

01h: version A, 02h: version B, 03h: version C, 04h: version D

Bit 7-0: RDC identification number - D9h

10. Power Save & Power Down



The CPU provides power-save & power-down functions.

* Power-Save:

In power-save mode, users can program the Power-Save Control Register to divide the internal operating clock. Users can also disable each non-use peripheral clock by programming the Disable Peripheral Clock Register.

* Power-Down:

This CPU can enter power-down mode (stop clock) when the Power Down Configuration Register is programmed during the CPU is running in full speed mode or power-save mode. The CPU will be waked up when each one of the external INT0, INT1, INT2, INT3 and INT4 pins is active high and the CPU operating clock will get back to full speed mode if the INT is serviced (the interrupt flag is enabled). If the interrupt flag is disabled, the CPU will be waked up by the INT, the operating clock will get back to the previous operating clock state, and the CPU will execute the next program counter instruction. There is 19-bit counter time waiting the crystal clock to be stable when the CPU wakes up from the stop clock mode.

Power-Save Control Register

Offset : F0h

Reset Value : 0000h

15	14	13	12	11	10	9	8	7	6	5	4	3	2	1	0
PSEN	MCSBIT	0	0	CBF	CBD	CAF	CAD	0	0	0	0	0	F2	F1	F0

Bit 15: PSEN, Enable Power-save Mode. This bit is cleared by hardware when an external interrupt occurs. This bit will not change when software interrupts (INT instructions) and exceptions occur.

Set 1: enable power-save mode and divide the internal operating clock by the values in F2-F0.

Bit14: MCSBIT, $\overline{\text{MCS0}}$ control bit.

Set 0: The $\overline{\text{MCS0}}$ operates normally.

Set 1: $\overline{\text{MCS0}}$ is active over the entire $\overline{\text{MCSx}}$ range

Bit13-12: Reserved

Bit 11: CBF, CLKOUTB Output Frequency selection.

Set 1: CLKOUTB output frequency is the same as crystal input frequency.

Set 0: CLKOUTB output frequency is from the clock divisor, which is the same as that of microprocessor's internal clock.

Bit 10: CBD, CLKOUTB Drive Disable

Set 1: Disable CLKOUTB. This pin will be three-stated.

Set 0: Enable CLKOUTB.

Bit 9: CAF, CLKOUTA Output Frequency selection.

Set 1: CLKOUTA output frequency is the same as crystal input frequency.

Set 0: CLKOUTA output frequency is from the clock divisor, which is the same as that of microprocessor's internal clock .

Bit 8: CAD, CLKOUTA Drive Disable.

Set 1: Disable CLKOUTA. This pin will be three-stated.

Set 0: Enable CLKOUTA.

Bit 7-3: Reserved

Bit 2-0: F2- F0, Clock Divisor Select.

F2	F1	F0	----	Divider Factor
0	0	0	----	Divided by 1
0	0	1	----	Divided by 2
0	1	0	----	Divided by 4
0	1	1	----	Divided by 8
1	0	0	----	Divided by 16
1	0	1	----	Divided by 32
1	1	0	----	Divided by 64
1	1	1	----	Divided by 128

Disable Peripheral Clock Register

Offset : FAh

Reset Value : 0000h

15	14	13	12	11	10	9	8	7	6	5	4	3	2	1	0
IntClk	UART Clk	DMA Clk	Timer Clk	Reserved											

Bit 15: Int Clk, Set 1 to stop the Interrupt controller clock

Bit 14: UART Clk, Set 1 to stop the asynchronous serial port controller clock

Bit 13: DMA Clk, Set 1 to stop the DMA controller clock

Bit 12: Timer Clk, Set 1 to stop the Timer controller clock

Bit 11-0: Reserved

Power Down Configuration Register

Offset : 46h

Reset Value : 00h

15	14	13	12	11	10	9	8	7	6	5	4	3	2	1	0
PWD	0	0	0	0	0	0	WIF	0	0	0	I4	I3	I2	I1	I0

Bit 15: PWD, Power- Down Enable. When this bit is set to 1, the CPU will enter power-down mode, then the crystal clock will stop. The CPU will be waked up when an external INT (INT0 – INT4) is active high. It will wait 19-bit counter time for the crystal clock to be stable before the CPU is waked up.

Bit 14-9: Reserved

Bit 8: WIF, Wake-up Interrupt Flag. It's a read-only bit. When the CPU is waked up by interrupt from power-down mode, this bit will be set to 1 by hardware. Otherwise this bit is 0.

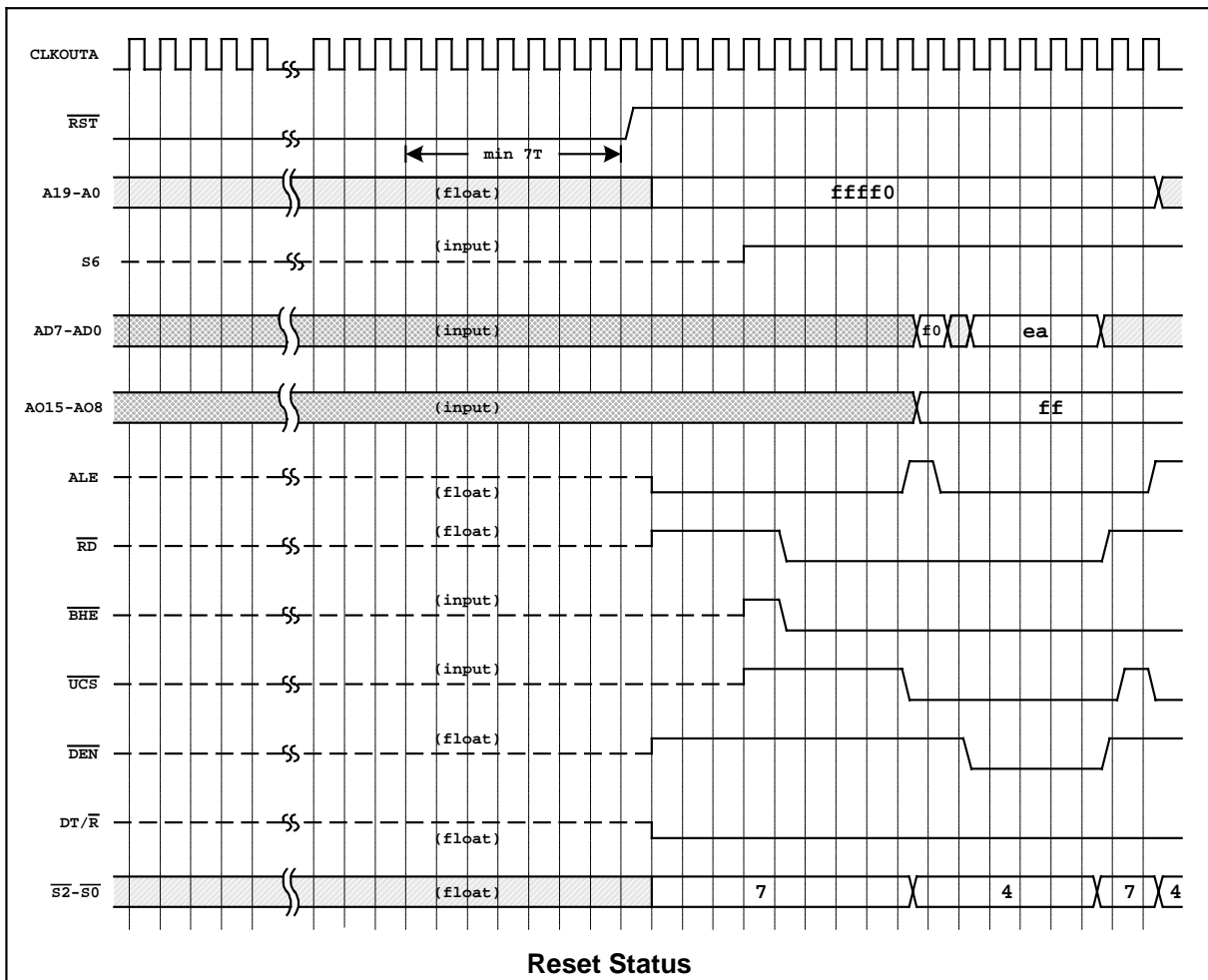
Bit 7-5: Reserved

Bit 4 -0: I4 -I0, Enable the external interrupt (INT4 – INT0) wake-up function.

Set these bits to 1 to make the INT pins function as power-down wake-up pins.

11. Reset

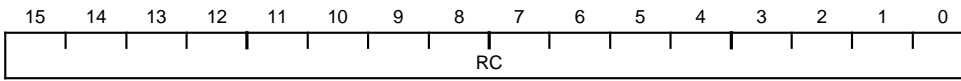
Processor initialization is accomplished with activation of the $\overline{\text{RST}}$ pin. To reset the processor, this pin should be held low for at least seven oscillator periods. The Reset Status Figure shows the status of the $\overline{\text{RST}}$ pin and other related pins. When $\overline{\text{RST}}$ goes from low to high, the state of input pin (with weak pull-ups or pull-downs) will be latched, and each pin will perform the individual function. The AO15-AO8 and AD7-AD0 will be latched into the register F6h. $\overline{\text{UCS}}/\overline{\text{ONCE1}}$ and $\overline{\text{LCS}}/\overline{\text{ONCE0}}$ will enter ONCE mode (All of the pins will be floating except X1 and X2) when they are with pull-low resistors. The input clock will be divided by 2 when S6/CLKDIV2 is with a pull-low resistor. The AD7-AD0 bus will drive both of the address and data regardless of the DA bit setting during $\overline{\text{UCS}}$ and $\overline{\text{LCS}}$ cycles if $\overline{\text{RFSH2}}/\overline{\text{ADEN}}$ is with a pull-low resistor.



Reset Configuration Register

Offset : F6h

Reset Value : AO15-AO8, AD7-AD0



Bit 15- 0: RC, Reset Configuration AO15 – AO8, AD7 – AD0.

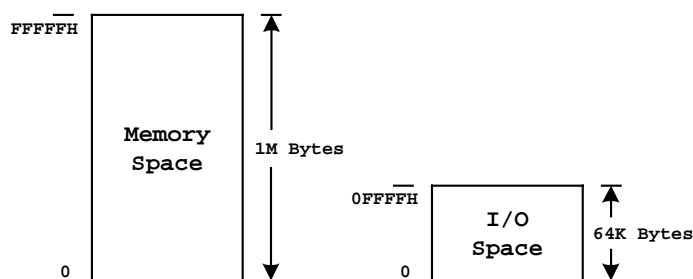
The AO15 to AO8, AD7 to AD0 must be with weak pull-up or pull-down resistors to correspond to the contents when AO15 to AO8 and AD7-AD0 are latched into this register as the $\overline{\text{RST}}$ pin goes from low to high. The value of the reset configuration register provides the system information when this register is read by software. This register is read-only and the contents remain valid until next processor reset.

12. Bus Interface Unit

In order to define a bus cycle, the bus interface unit drives address, data, status and control information. The bus A19-A0 are non-multiplexed memory or I/O address. The AD7-AD0 are multiplexed address and data bus for memory or I/O access. The $\overline{S2} - \overline{S0}$ are encoded to indicate the bus status, which is described in the Pin Description table in page 12. The Basic Application System Block (page 19) and Read/Write Timing Diagram (page 20) describe the basic bus operation.

12.1 Memory and I/O Interface

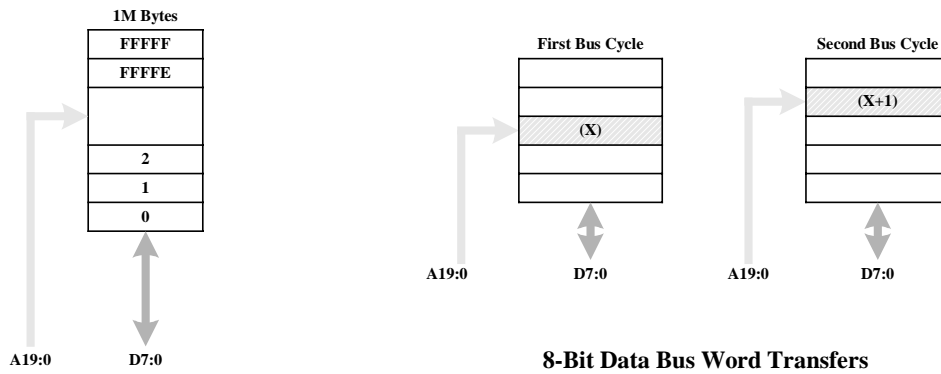
The memory space consists of 1M bytes and the I/O space consists of 64k bytes. Memory devices exchange information with the CPU during memory read, memory write and instruction fetch bus cycles. I/O read and I/O write bus cycles use a separate I/O address space. Only IN/OUT instruction can access I/O address space, and information must be transferred between the peripheral device and the AX register. The first 256 bytes of I/O space can be accessed directly by the I/O instructions. The entire 64k bytes I/O address space can be accessed indirectly, through the DX register. I/O instructions always force address A19-A16 to low level.



Memory and I/O Space

12.2 Data Bus

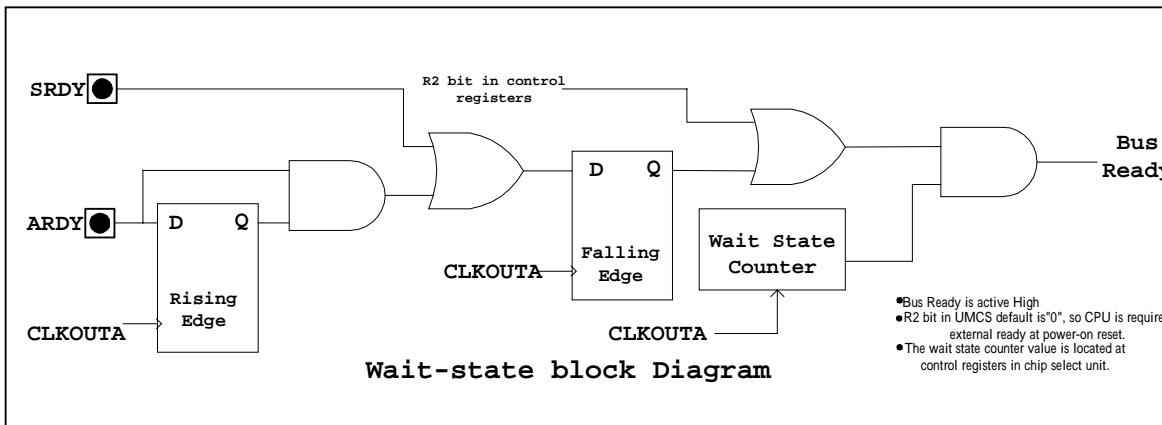
The memory address space data bus is physically implemented as one bank of 1M bytes. Address lines A19-A0 select a specific byte within the bank. Byte transfers to even or odd addresses transfer information in one bus cycle. Word transfers to even or odd addresses transfer information in two bus cycles. The Bus Interface Unit automatically converts the word access into two consecutive byte accesses, making the operation transparent to the programmer. For word transfers, the word address defines the first byte transferred. The second byte transfer occurs from the word address plus one.



Physical Data Bus Models

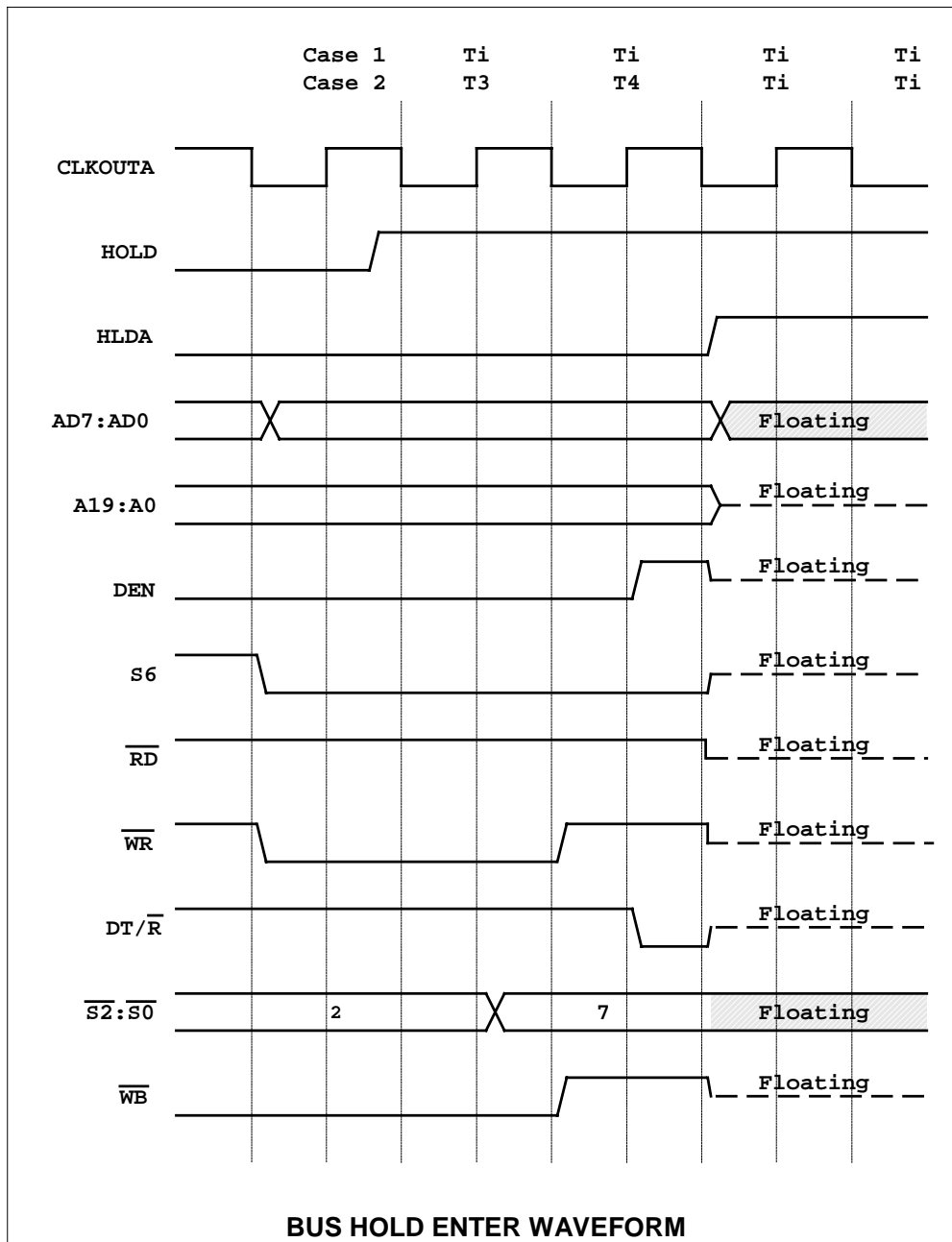
12.3 Wait States

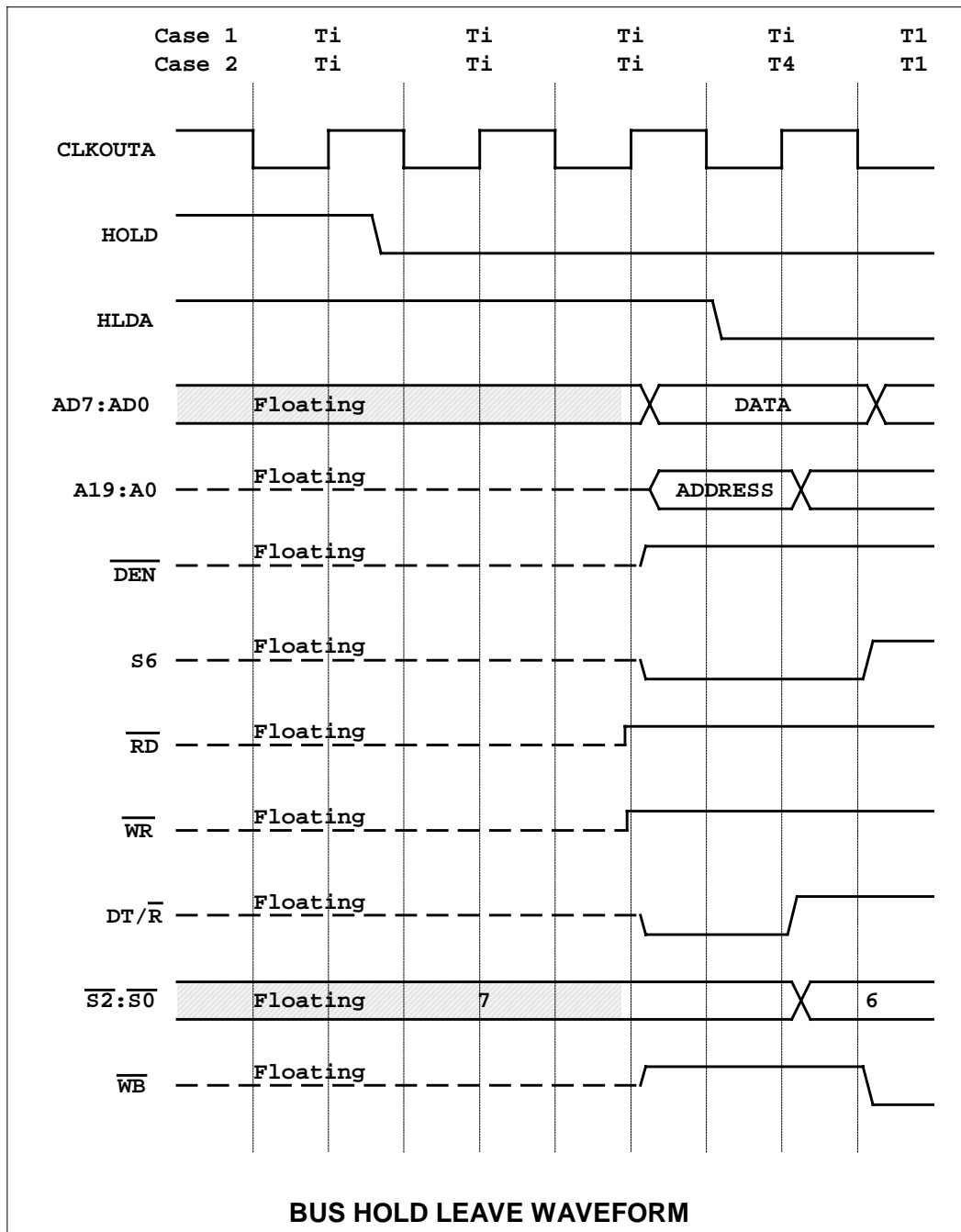
Wait states extend the data phase of the bus cycle. The ARDY or SRDY input with low level will be inserted wait states in. If R2 bit=0, users can also insert wait states by programming the internal chip select registers. The R2 bit of UMCS (offset 0A0h) default is low, so each one of the ARDY or SRDY should be in ready state (with a pull high resistor) when at power on reset or external reset. The wait-state counter value is decided by the R3, R1 and R0 bits in each chip select register. There are five groups of R3, R1 and R0 bits in the registers offset A0h, A2h, A4h, A6h and A8h. Each group is independent.



12.4 Bus Hold

When the bus hold is requested (HOLD pin active high) by another bus master, the microprocessor will issue an HLDA in response to a HOLD request at the end of T4 or Ti. When the microprocessor is in hold status (HLDA is high), AO15-AO8, AD7-AD0, A19-A0, \overline{WR} , \overline{RD} , \overline{DEN} , \overline{SI} - $\overline{S0}$, S6, $\overline{RFSH2}$, DT/ \overline{R} and \overline{WB} are floating, and \overline{UCS} , \overline{LCS} , $\overline{PCS6}$ - $\overline{PCS5}$, $\overline{MCS3}$ - $\overline{MCS0}$ and $\overline{PCS3}$ - $\overline{PCS0}$ will be driven high. After HOLD is detected as being low, the microprocessor will lower the HLDA.



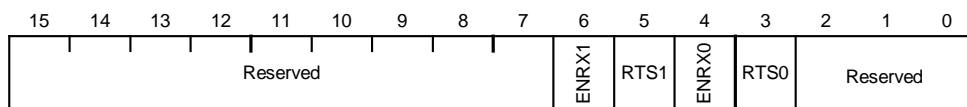


12.5 Bus Width

The R8830 default is only 8-bit bus access during memory or I/O access located in the \overline{UCS} , \overline{LCS} , \overline{MCS} ; or \overline{PCSx} address space.

Auxiliary configuration Register

Offset : F2h
Reset Value : 0000h



Bit 15-7: Reserved.

Bit 6: ENRX1, Enable the Receiver Request of Serial port 1.

Set 1: The $\overline{CTS1}/\overline{ENRX1}$ pin is configured as $\overline{ENRX1}$.

Set 0: The $\overline{CTS1}/\overline{ENRX1}$ pin is configured as $\overline{CTS1}$.

Bit 5: RTS1, Enable Request to Send of Serial port 1.

Set 1: The $\overline{RTR1}/\overline{RTS1}$ pin is configured as $\overline{RTS1}$.

Set 0: The $\overline{RTR1}/\overline{RTS1}$ pin is configured as $\overline{RTR1}$.

Bit 4: ENRX0, Enable the Receiver Request of Serial port 0.

Set 1: The $\overline{CTS0}/\overline{ENRX0}$ pin is configured as $\overline{ENRX0}$.

Set 0: The $\overline{CTS0}/\overline{ENRX0}$ pin is configured as $\overline{CTS0}$.

Bit 3: RTS0, Enable Request to Send of Serial port 0.

Set 1: The $\overline{RTR0}/\overline{RTS0}$ pin is configured as $\overline{RTS0}$.

Set 0: The $\overline{RTR0}/\overline{RTS0}$ pin is configured as $\overline{RTR0}$.

Bit 2-0: Reserved.

13. Chip Select Unit

The Chip Select Unit provides 12 programmable chip select pins to access a specific memory or peripheral device.

The chip selects are programmed through five peripheral control registers (A0h, A2h, A4h, A6h and A8h) and all of the chip selects can be inserted wait states in by programming the peripheral control register.

13.1 UCS

The $\overline{\text{UCS}}$ default is active on reset for programming code access. The memory active range is upper 512k (80000h – FFFFFh), which is programmable. And the default memory active range of $\overline{\text{UCS}}$ is 64k (F0000h – FFFFFh). The $\overline{\text{UCS}}$ is active to drive low four CLKOUTA oscillators if no wait state is inserted. There are three wait states inserted to $\overline{\text{UCS}}$ active cycle on reset.

Upper Memory Chip Select Register

Offset : A0h
Reset Value : F03Bh

15	14	13	12	11	10	9	8	7	6	5	4	3	2	1	0
1	LB2 - LB0		0	0	0	0	DA	0	1	1	1	R2	R1	R0	

Bit 15: Reserved

Bit 14-12: LB2-LB0, Memory block size selection for $\overline{\text{UCS}}$ chip select pin.

The active region of the $\overline{\text{UCS}}$ chip select pin can be configured by LB2-LB0.

The default memory block size is from F0000h to FFFFFh.

LB2, LB1, LB0 ---- **Memory Block size** , **Start address** , **End Address**

1	1	1	----	64k	, F0000h	, FFFFFh
1	1	0	----	128k	, E0000h	, FFFFFh
1	0	0	----	256k	, C0000h	, FFFFFh
0	0	0	----	512k	, 80000h	, FFFFFh

Bit 11-8: Reserved

Bit 7: DA, Disable Address. If the $\overline{\text{RFSH2}}/\overline{\text{ADEN}}$ pin is held high on the rising edge of $\overline{\text{RST}}$, the DA bit is valid to enable/disable the address phase of the AD bus. If the $\overline{\text{RFSH2}}/\overline{\text{ADEN}}$ pin is held low on the rising edge of $\overline{\text{RST}}$, the AD bus always drives the address and data.

Set 1: Disable the address phase of the AD7 – AD0 bus cycle when $\overline{\text{UCS}}$ is asserted. The AO15 – AO8 are driven as address bus even this bit is set to 1.

Set 0: Enable the address phase of the AD7 – AD0 bus cycle when $\overline{\text{UCS}}$ is asserted.

Bit 6-3: Reserved

Bit 2: R2, Ready Mode. This bit is used to configure the ready mode for the $\overline{\text{UCS}}$ chip select.

Set 1: External ready is ignored.

Set 0: External ready is required.

Bit 1-0: R1-R0, Wait-State value. When R2 is set to 0, wait states can be inserted into an access to the \overline{UCS} memory area.

(R1,R0) = (0,0) -- 0 wait state ; (R1,R0) = (0,1) -- 1 wait state

(R1,R0) = (1,0) -- 2 wait states ; (R1,R0) = (1,1) -- 3 wait states

13.2 \overline{LCS}

The lower 512k bytes (00000h-7FFFFh) memory region chip selects. The memory active range is programmable, which has no default size on reset. So the A2h register must be programmed first before the target memory range is accessed. The \overline{LCS} pin is not active on reset, but any read or write access to the A2h register activates this pin.

Low Memory Chip Select Register

Offset : A2h

Reset Value : —

15	14	13	12	11	10	9	8	7	6	5	4	3	2	1	0
0	UB2 - UB0		1	1	1	1	DA	PSE	1	1	1	R2	R1	R0	

Bit 15: Reserved

Bit 14-12: UB2-UB0, Memory block size selection for the \overline{LCS} chip select pin

The active region of the \overline{LCS} chip select pin can be configured by UB2-UB0.

The \overline{LCS} pin is not active on reset, but any read or write access to the A2h (LMCS) register activates this pin.

UB2, UB1, UB0 ---- **Memory Block size** , **Start address** , **End Address**

0 , 0 , 0 ---- 64k , 00000h , 0FFFFh

0 , 0 , 1 ---- 128k , 00000h , 1FFFFh

0 , 1 , 1 ---- 256k , 00000h , 3FFFFh

1 , 1 , 1 ---- 512k , 00000h , 7FFFFh

Bit 11-8: Reserved

Bit 7: DA, Disable Address. If the $\overline{RFSH2}/\overline{ADEN}$ pin is held high on the rising edge of \overline{RST} , the DA bit is valid to enable/disable the address phase of the AD bus. If the $\overline{RFSH2}/\overline{ADEN}$ pin is held low on the rising edge of \overline{RST} , the AD bus always drives the address and data.

Set 1: Disable the address phase of the AD7 – AD0 bus cycle when \overline{LCS} is asserted. The AO15 – AO8 are driven as address bus even this bit is set to 1.

Set 0: Enable the address phase of the AD7 – AD0 bus cycle when \overline{LCS} is asserted.

Bit 6: PSE, PSRAM Mode Enable. This bit is used to enable PSRAM support for the \overline{LCS} chip select memory space. The refresh control unit registers E0h, E2h and E4h must be configured for auto refresh before PSRAM support is enabled.

PSE set to 1: PSRAM support is enabled.

PSE set to 0: PSRAM support is disabled.

Bit 5-3: Reserved

Bit 2: R2, Ready Mode. This bit is used to configure the ready mode for the $\overline{\text{LCS}}$ chip select.

Set 1: external ready is ignored.

Set 0: external ready is required.

Bit 1-0: R1-R0, Wait-State value. When R2 is set to 0, wait states can be inserted into an access to the $\overline{\text{LCS}}$ memory area.

(R1,R0) = (0,0) -- 0 wait state ; (R1,R0) = (0,1) -- 1 wait state

(R1,R0) = (1,0) -- 2 wait states ; (R1,R0) = (1,1) -- 3 wait states

13.3 $\overline{\text{MCSx}}$

The memory block of $\overline{\text{MCS3}} - \overline{\text{MCS0}}$ can be located anywhere within the 1M-byte memory space, exclusive of the areas associated with the $\overline{\text{UCS}}$ and $\overline{\text{LCS}}$ chip selects. The maximum $\overline{\text{MCSx}}$ active memory range is 512k bytes. The 512k $\overline{\text{MCSx}}$ block size can only be used when located at address 00000h, and the $\overline{\text{LCS}}$ chip select must not be active in this case. Locating a 512k $\overline{\text{MCSx}}$ block size at 80000h always conflicts with the range of $\overline{\text{UCS}}$ and is not allowed. The $\overline{\text{MCSx}}$ chip selects are programmed through two registers A6h and A8h, and these select pins are not active on reset. Both A6h and A8h registers must be accessed with a read or write to activate $\overline{\text{MCS3}} - \overline{\text{MCS0}}$. There aren't default values on A6h and A8h registers, so A6h and A8h must be programmed first before $\overline{\text{MCS3}} - \overline{\text{MCS0}}$ are active.

Midrange Memory Chip Select Register

Offset : A6h

Reset Value : —

15	14	13	12	11	10	9	8	7	6	5	4	3	2	1	0
BA19 - BA13							1	1	1	1	1	1	R2	R1	R0

Bit 15-9: BA19-BA13, Base Address. The BA19-BA13 correspond to bits 19-13 of the 1M-byte (20-bits) programmable base address of the $\overline{\text{MCS}}$ chip select block. The bits 12 to 0 of the base address are always 0. The base address can be set to any integer multiple of the size of the memory block size selected in these bits. For example, if the midrange block is 32Kbytes, only the bits BA19 to BA15 can be programmed. So the block address could be locate at 20000h or 38000h but not at 22000h. The base address of the $\overline{\text{MCS}}$ chip select can be set to 00000h only if the $\overline{\text{LCS}}$ chip select is not active. The $\overline{\text{MCS}}$ chip select address range is not allowed to overlap the $\overline{\text{LCS}}$ chip select address range. The $\overline{\text{MCS}}$ chip select address range is also not allowed to overlap the $\overline{\text{UCS}}$ chip select address range.

Bit 8-3: Reserved

Bit 2: R2, Ready Mode. This bit is configured to enable/disable the wait states inserted for the $\overline{\text{MCS}}$ chip selects. The R1 and R0 bits of this register determine the number of wait states to be inserted.

Set 1: external ready is ignored.

Set 0: external ready is required.

Bit 1-0: R1-R0, Wait-State value. The R1 and R0 determine the number of wait states inserted into a $\overline{\text{MCS}}$ access.

(R1,R0) : (1,1) – 3 wait states , (1,0) – 2 wait states, (0,1) – 1 wait state , (0,0) – 0 wait state

PCS and MCS Auxiliary Register

Offset : A8h

Reset Value : —

15	14	13	12	11	10	9	8	7	6	5	4	3	2	1	0
1								EX	MS	1	1	1	R2	R1	R0

Bit 15, 5-3: Reserved

Bit 14-8: M6-M0, $\overline{\text{MCS}}$ Block Size. These bits determine the total block size for the $\overline{\text{MCS3}}$ - $\overline{\text{MCS0}}$ chip selects. Each individual chip select is active for one quarter of the total block size. For example, if the block size is 32K bytes and the base address is located at 20000h, the individual active memory address range of $\overline{\text{MCS3}}$ to $\overline{\text{MCS0}}$ is $\overline{\text{MCS0}}$ – 20000h to 21FFF, $\overline{\text{MCS1}}$ - 22000 to 23FFFh, $\overline{\text{MCS2}}$ - 24000h to 25FFFh and $\overline{\text{MCS3}}$ - 26000h to 27FFFh. $\overline{\text{MCSx}}$ total block size is defined by M6-M0,

<u>M6-M0</u>	<u>Total block size,</u>	<u>MCSx</u>	<u>address active range</u>
0000001b	, 8k	,	2k
0000010b	, 16k	,	4k
0000100b	, 32k	,	8k
0001000b	, 64k	,	16k
0010000b	, 128k	,	32k
0100000b	, 256k	,	64k
1000000b	, 512k	,	128k

Bit 7: EX, Pin Selector. This bit configures the multiplexed output which the $\overline{\text{PCS6}}$ - $\overline{\text{PCS5}}$ pins are as chip selects or A2-A1.

Set 1: $\overline{\text{PCS6}}$ and $\overline{\text{PCS5}}$ are configured as peripheral chip select pins.

Set 0: $\overline{\text{PCS6}}$ is configured as address bit A2, $\overline{\text{PCS5}}$ is configured as A1.

Bit 6: MS, Memory or I/O space Selector.

Set 1: The $\overline{\text{PCSx}}$ pins are active for memory bus cycle.

Set 0: The $\overline{\text{PCSx}}$ pins are active for I/O bus cycle.

Bit 2: R2, Ready Mode. This bit is configured to enable/disable the wait states inserted for the PCS5 and PCS6 chip selects.

The R1 and R0 bits of this register determine the number of wait states to be inserted.

Set 1: external ready is ignored.

Set 0: external ready is required.

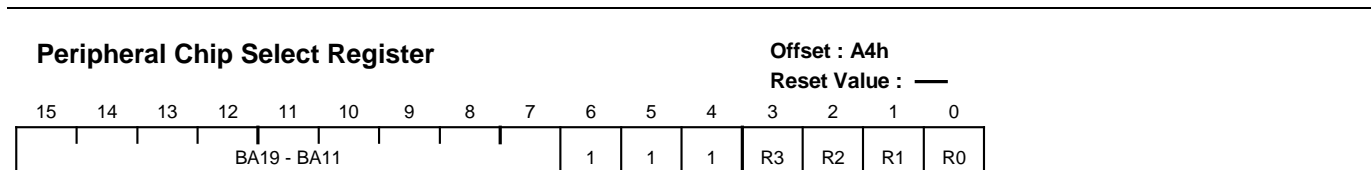
Bit 1-0: R1-R0, Wait-State value. The R1,R0 determines the number of wait states inserted into a $\overline{\text{PCS5}}$ - $\overline{\text{PCS6}}$ access.

(R1,R0) : (1,1) – 3 wait states , (1,0) – 2 wait states, (0,1) – 1 wait states , (0,0) – 0 wait states

13.4 PCSx

In order to define these pins, the peripheral or memory chip selects are programmed through the A4h and A8h registers. The base address memory block can be located anywhere within the 1M-byte memory space, exclusive of the areas associated with the UCS, LCS and MCS chip selects. If the chip selects are mapped to I/O space, the access range is 64k bytes.

PCS6 – PCS5 can be configured from 0 wait-state to 3 wait-states. PCS3 – PCS0 can be configured from 0 wait-state to 15 wait-states.



Bit 15-7: BA19-BA11, Base Address. BA19-BA11 correspond to bit 19-11 of the 1M-byte (20-bits) programmable base address of the PCS chip select block.

When the PCS chip selects are mapped to I/O space, BA19-BA16 must be written to 0000b because the I/O address bus is only 64K bytes (16-bits) wide.

PCSx address range:

<u>PCS0</u>	:	Base Address	-	Base Address+255
<u>PCS1</u>	:	Base Address+256	-	Base Address+511
<u>PCS2</u>	:	Base Address+512	-	Base Address+767
<u>PCS3</u>	:	Base Address+768	-	Base Address+1023
<u>PCS5</u>	:	Base Address+1280	-	Base Address+1535
<u>PCS6</u>	:	Base Address+1536	-	Base Address+1791

Bit 6-4: Reserved

Bit 3: R3; Bit 1-0: R1, R0, Wait-State Value. The R3, R1 and R0 determine the number of wait-states inserted into a PCS3 - PCS0 access.

R3,	R1,	R0	--	<u>Wait States</u>
0,	0,	0	--	0
0,	0,	1	--	1
0,	1,	0	--	2
0,	1,	1	--	3
1,	0,	0	--	5
1,	0,	1	--	7
1,	1,	0	--	9
1,	1,	1	--	15

Bit 2: R2, Ready Mode. This bit is configured to enable/disable the wait states inserted for the PCS3 - PCS0 chip selects.

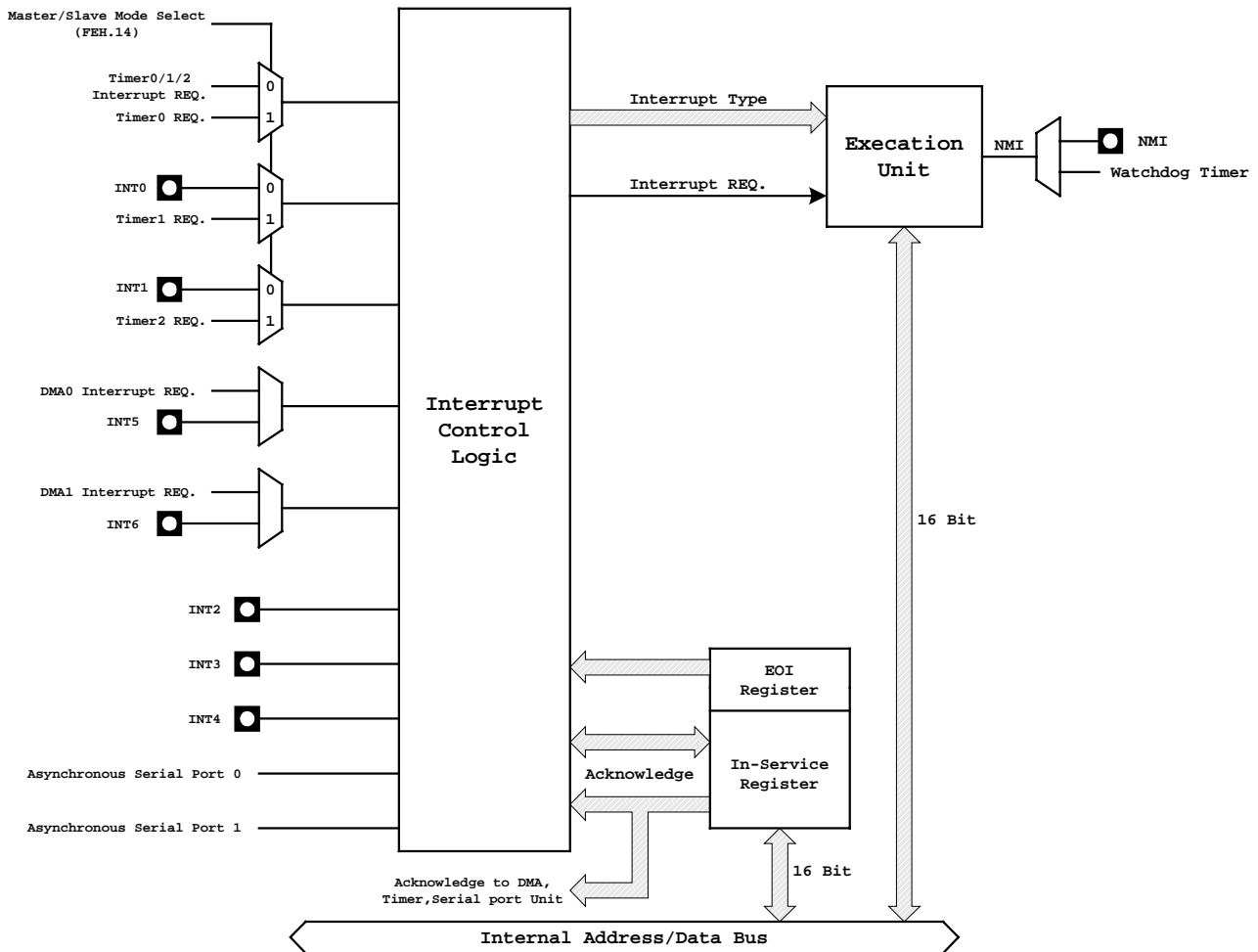
The R3, R1 and R0 bits determine the number of wait states to be inserted.

Set 1: external ready is ignored

Set 0: external ready is required

14. Interrupt Controller Unit

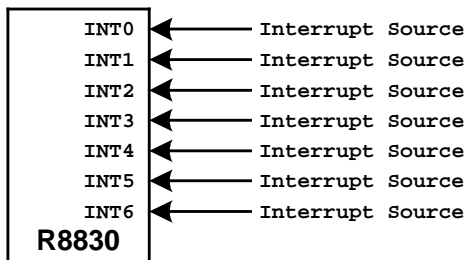
There are 16 interrupt request sources connected to the controller: 7 maskable interrupt pins (INT0 – INT6); 2 non-maskable interrupts (NMI and WDT); 7 internal unit request sources (Timer 0, 1 and 2; DMA 0 and 1; Asynchronous serial port 0 and 1).



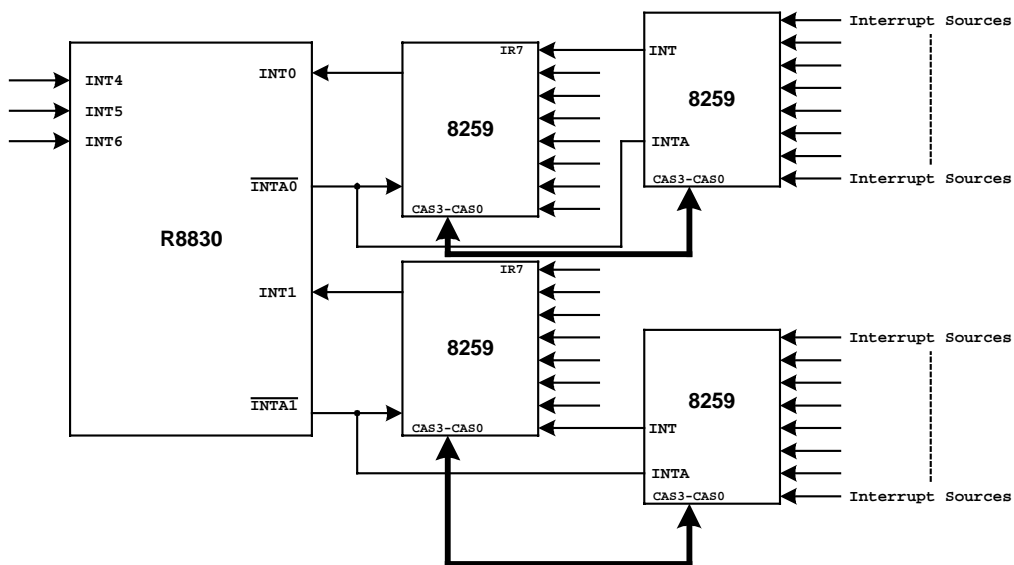
Interrupt Control Unit Block Diagram

14.1 Master Mode and Slave Mode

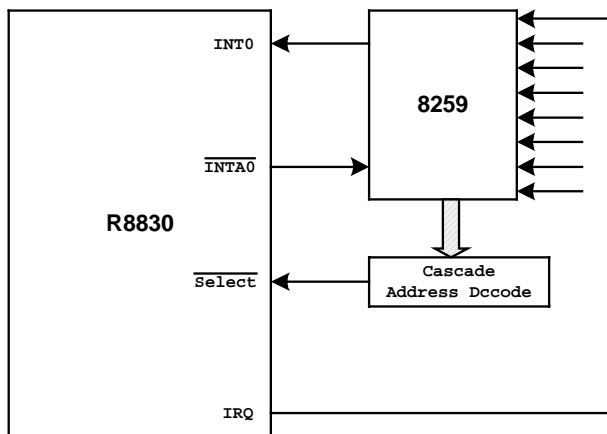
The interrupt controller can be programmed as a master or slave mode. (To program FEh, bit 14), the master mode has two connections: Fully Nested Mode connection or Cascade Mode connection.



Fully Nested Mode Connections



Cascade Mode Connection



Slave Mode Connection

14.2 Interrupt Vector, Type and Priority

The following table shows the interrupt vector addresses, types and the priority. The maskable interrupt priority can be changed by programming the priority register. The Vector addresses for each interrupt are fixed.

Interrupt source	Interrupt Type	Vector Address	EOI Type	Priority	Note
Divide Error Exception	00h	00h		1	
Trace interrupt	01h	04h		1-1	*
NMI	02h	08h		1-2	*
Breakpoint Interrupt	03h	0Ch		1	
INTO Detected Over Flow Exception	04h	10h		1	
Array Bounds Exception	05h	14h		1	
Undefined Opcode Exception	06h	18h		1	
ESC Opcode Exception	07h	1Ch		1	
Timer 0	08h	20h	08h	2-1	*/**
Reserved	09h				
DMA 0/INT5	0Ah	28h	0Ah	3	**
DMA 1/INT6	0Bh	2Ch	0Bh	4	**
INT0	0Ch	30h	0Ch	5	
INT1	0Dh	34h	0Dh	6	
INT2	0Eh	38h	0Eh	7	
INT3	0Fh	3Ch	0Fh	8	
INT4	10h	40h	10h	9	
Asynchronous Serial port 1	11h	44h	11h	9	
Timer 1	12h	48h	08h	2-2	*/**
Timer 2	13h	4Ch	08h	2-3	*/**
Asynchronous Serial port 0	14h	50h	14h	9	
Reserved	15h-1Fh				

Note *: When the interrupt occurs in the same time, the priority is (1-1 > 1-2); (2-1 > 2-2 > 2-3)

Note **: The interrupt types of these sources are programmable in slave mode.

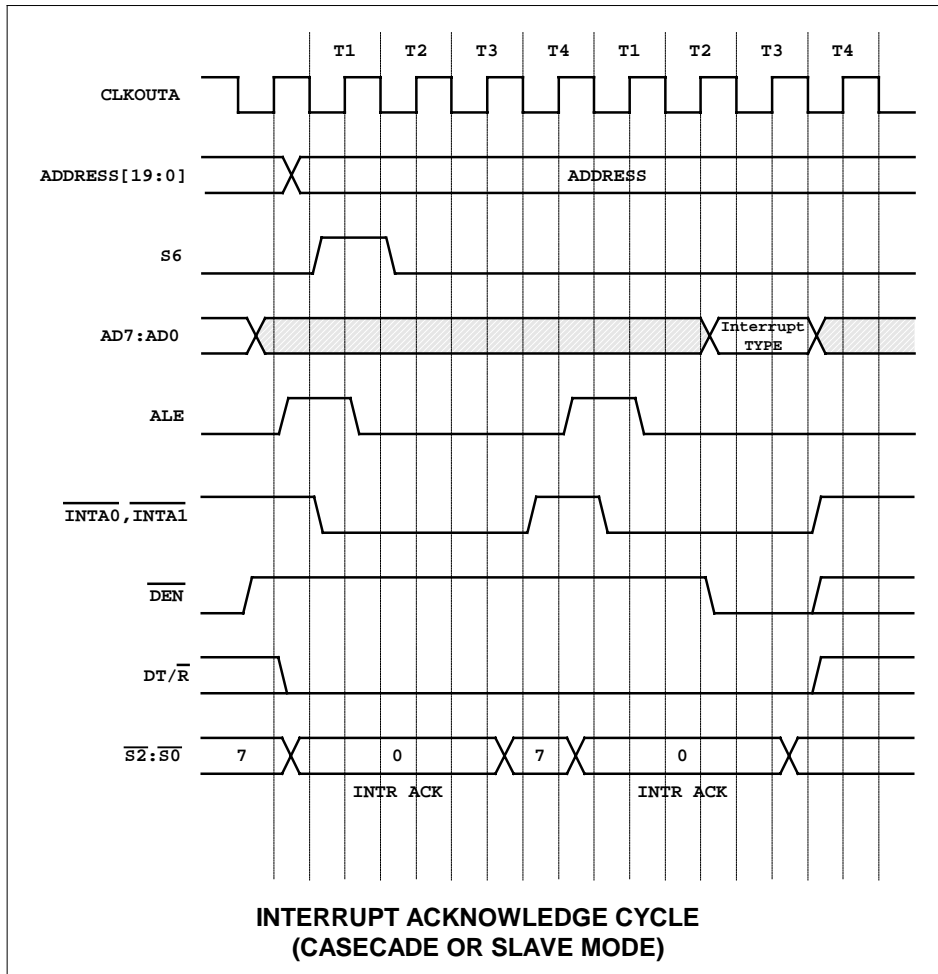
14.3 Interrupt Requests

When an interrupt is requested, the internal interrupt controller verifies that the interrupt is enabled (The IF flag is enabled and no MSK bit set) and that there are no higher priority interrupt requests being serviced or pending. If the interrupt is granted, the interrupt controller uses the interrupt type to access a vector from the interrupt vector table.

If the external INT is active (level-triggered) to request the interrupt controller service, and the INT pins must be held till the microcontroller enters the interrupt service routine. There is no interrupt-acknowledge output when running in fully nested mode, so the PIO pins should be used to simulate the interrupt-acknowledge pin if necessary.

14.4 Interrupt Acknowledge

The processor requires the interrupt type as an index into the interrupt table. The internal interrupt can provide the interrupt type or an external controller can provide the interrupt type. The internal interrupt controller provides the interrupt type to processor without external bus cycle generation. When an external interrupt controller is providing the interrupt type, the processor generates two acknowledge bus cycles, and the interrupt type is written to the AD7-AD0 lines by the external interrupt controller.



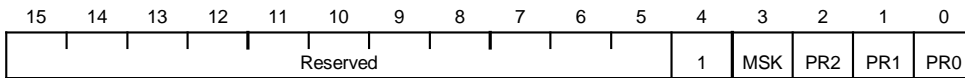
14.5 Programming the Registers

Software is used to program the registers (**Master mode:** 44h, 42h, 40h, 3Eh, 3Ch, 3Ah, 38h, 36h, 34h, 32h, 30h, 2Eh, 2Ch, 2Ah, 28h, 26h, 24h and 22h; **Slave Mode:** 3Ah, 38h, 36h, 34h, 32h, 30h, 2Eh, 2Ch, 2Ah, 28h, 22h and 20h) to define the interrupt controller operation.

Serial Port 0 Interrupt Control Register

Offset : 44h

Reset Value : 001Fh



(Master Mode)

Bit 15-4: Reserved

Bit 3: MSK, Mask. Set 1: Mask the interrupt source of the asynchronous serial port 0.

Set 0: Enable the serial port 0 interrupt.

Bit 2-0: PR2-PR0, Priority. These bits determine the priority of the serial ports related to the other interrupt signals.

The priority selection:

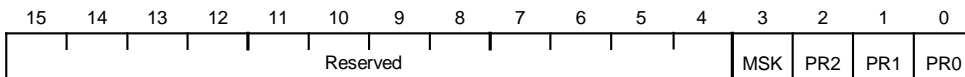
PR2, PR1, PR0 -- Priority

- 0 , 0 , 0 -- 0 (High)
- 0 , 0 , 1 -- 1
- 0 , 1 , 0 -- 2
- 0 , 1 , 1 -- 3
- 1 , 0 , 0 -- 4
- 1 , 0 , 1 -- 5
- 1 , 1 , 0 -- 6
- 1 , 1 , 1 -- 7 (Low)

Serial Port 1 Interrupt Control Register

Offset : 42h

Reset Value : 000Fh



(Master Mode)

Bit 15-4: Reserved

Bit 3: MSK, Mask. Set 1: Mask the interrupt source of the asynchronous serial port 1.

Set 0: Enable the serial port 1 interrupt.

Bit 2-0: PR2-PR0, Priority. These bits determine the priority of the serial ports related to the other interrupt signals.

The priority selection:

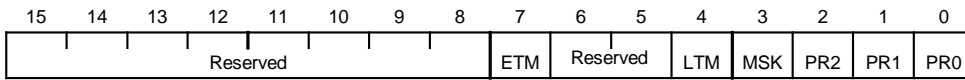
PR2, PR1, PR0 -- Priority

- 0 , 0 , 0 -- 0 (High)
- 0 , 0 , 1 -- 1
- 0 , 1 , 0 -- 2
- 0 , 1 , 1 -- 3
- 1 , 0 , 0 -- 4
- 1 , 0 , 1 -- 5
- 1 , 1 , 0 -- 6
- 1 , 1 , 1 -- 7 (Low)

INT4 Control Register

Offset : 40h

Reset Value : 000Fh



(Master Mode)

Bit 15- 8: Reserved

Bit 7: ETM, Edge trigger enable. When this bit is set to 1 and Bit 4 set to 0, an interrupt is triggered by a low to high edge.

Bit 6-5: Reserved

Bit 4: LTM, Level-Triggered Mode.

Set 1: An interrupt is triggered by high active level.

Set 0: An interrupt is triggered by the low to high edge.

Bit 3: MSK, Mask.

Set 1: Mask the interrupt source of INT4

Set 0: Enable the INT4 interrupt.

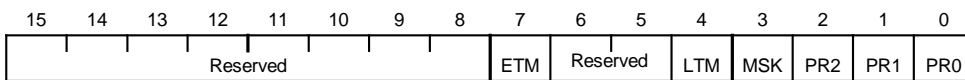
Bit 2-0: PR, Interrupt Priority

These bit settings for priority selection are the same as those of bit 2-0 of 44h.

INT3 Control Register

Offset : 3Eh

Reset Value : 000Fh



(Master Mode)

Bit 15- 8: Reserved

Bit 7: ETM, Edge trigger enable. When this bit is set to 1 and Bit 4 set to 0, an interrupt is triggered by a low to high edge.

Bit 6- 5: Reserved

Bit 4: LTM, Level-Triggered Mode.

Set 1: An interrupt is triggered by high active level.

Set 0: An interrupt is triggered by the low to high edge.

Bit 3: MSK, Mask.

Set 1: Mask the interrupt source of INT3.

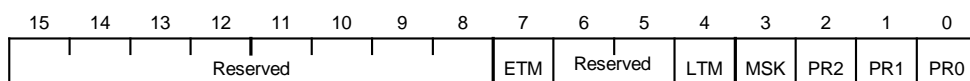
Set 0: Enable the INT3 interrupt.

Bit 2-0: PR, Interrupt Priority

These bit settings for priority selection are the same as those of bit 2-0 of 44h.

INT2 Control Register

Offset : 3Ch
Reset Value : 000Fh



(Master Mode)

Bit 15- 8, bit 6-5: Reserved

Bit 7: ETM, Edge trigger enable. When this bit is set to 1 and Bit 4 set to 0, an interrupt is triggered by a low to high edge.

Bit 4: LTM, Level-Triggered Mode.

Set 1: An interrupt is triggered by high active level.

Set 0: An interrupt is triggered by the low to high edge.

Bit 3: MSK, Mask.

Set 1: Mask the interrupt source of INT2

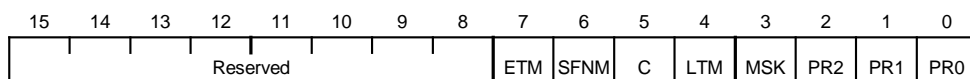
Set 0: Enable the INT2 interrupt.

Bit 2-0: PR, Interrupt Priority

These bit settings for priority selection are the same as those of bit 2-0 of 44h.

INT1 Control Register

Offset : 3Ah
Reset Value : 000Fh



(Master Mode)

Bit 15-8: Reserved

Bit 7: ETM, Edge trigger enable. When this bit is set to 1 and Bit 4 set to 0, an interrupt is triggered by a low to high edge.

Bit 6: SFNM, Special Fully Nested Mode.

Set 1: Enable the special fully nested mode of INT1.

Bit 5: C, Cascade Mode. Set this bit to 1 to enable the cascade mode for INT1 or INT0.

Bit 4: LTM, Level-Triggered Mode.

Set 1: An interrupt is triggered by high active level.

Set 0: An interrupt is triggered by the low go high edge.

Bit 3: MSK, Mask. Set 1: Mask the interrupt source of INT1.

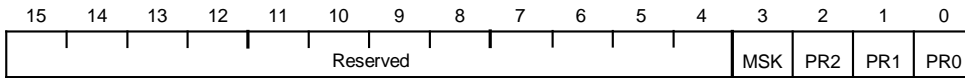
Set 0: Enable the INT1 interrupt.

Bit 2-0: PR, Interrupt Priority

These bit settings for priority selection are the same as those of bit 2-0 of 44h.

INT1 Control Register

Offset : 3Ah
Reset Value : 0000h



(Slave Mode), This register is for timer 2 interrupt control, reset value is 0000h

Bit 15- 4: Reserved

Bit 3: MSK, Mask.

Set 1: Mask the interrupt source of Timer 2

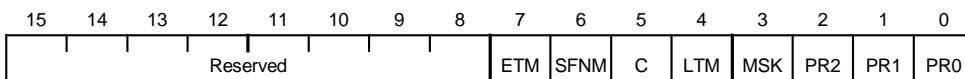
Set 0: Enable the Timer 2 interrupt.

Bit 2-0: PR, Interrupt Priority

These bit settings for priority selection are the same as those of bit 2-0 of 44h.

INT0 Control Register

Offset : 38h
Reset Value : 000Fh



(Master Mode)

Bit 15-8: Reserved

Bit 7: ETM, Edge trigger enable. When this bit is set to 1 and Bit 4 set to 0, an interrupt is triggered by a low to high edge.

Bit 6: SFNM, Special Fully Nested Mode.

Set 1: Enable the special fully nested mode of INT0.

Bit 5: C, Cascade Mode. Set this bit to 1 to enable the cascade mode for INT1 or INT0.

Bit 4: LTM, Level-Triggered Mode.

Set 1: An interrupt is triggered by high active level.

Set 0: An interrupt is triggered by the low to high edge.

Bit 3: MSK, Mask.

Set 1: Mask the interrupt source of INT0.

Set 0: Enable the INT0 interrupt.

Bit 2-0: PR, Interrupt Priority

These bit settings for priority selection are the same as those of bit 2-0 of 44h.

INT0 Control Register

Offset : 38h
Reset Value : 0000h

15	14	13	12	11	10	9	8	7	6	5	4	3	2	1	0
Reserved												MSK	PR2	PR1	PR0

(Slave Mode), For Timer 1 interrupt control register, reset value is 0000h

Bit 15-4: Reserved

Bit 3: MSK, Mask.

Set 1: Mask the interrupt source of timer 1

Set 0: Enable the timer 1 interrupt.

Bit 2-0: PR, Interrupt Priority

These bit settings for priority selection are the same as those of bit 2-0 of 44h.

DMA 1/INT6 Interrupt Control Register

Offset : 36h
Reset Value : 000Fh

15	14	13	12	11	10	9	8	7	6	5	4	3	2	1	0
0	0	0	0	0	0	0	0	0	0	0	0	MSK	PR2	PR1	PR0

(Master Mode)

Bit 15-4: Reserved

Bit 3: MSK, Mask. Set 1: Mask the interrupt source of the DMA 1 controller

Set 0: Enable the DMA 1 controller interrupt.

Bit 2-0: PR, Interrupt Priority

These bit settings for priority selection are the same as those of bit 2-0 of 44h.

DMA 1/INT6 Interrupt Control Register

Offset : 36h
Reset Value : 0000h

15	14	13	12	11	10	9	8	7	6	5	4	3	2	1	0
0	0	0	0	0	0	0	0	0	0	0	0	MSK	PR2	PR1	PR0

(Slave Mode)

Bit 15-4: Reserved

Bit 3: MSK, Mask. Set 1: Mask the interrupt source of the DMA 1 controller

Set 0: Enable the DMA 1 controller interrupt.

Bit 2-0: PR, Interrupt Priority

These bit settings for priority selection are the same as those of bit 2-0 of 44h.

DMA 0/INT5 Interrupt Control Register

Offset : 34h

Reset Value : 000Fh

15	14	13	12	11	10	9	8	7	6	5	4	3	2	1	0
0	0	0	0	0	0	0	0	0	0	0	0	MSK	PR2	PR1	PR0

(Master Mode)

Bit 15-4: Reserved

Bit 3: MSK, Mask.

Set 1: Mask the interrupt source of the DMA 0 controller

Set 0: Enable the DMA 0 controller interrupt.

Bit 2-0: PR, Interrupt Priority

These bit settings for priority selection are the same as those of bit 2-0 of 44h.

DMA 0/INT5 Interrupt Control Register

Offset : 34h

Reset Value : 0000h

15	14	13	12	11	10	9	8	7	6	5	4	3	2	1	0
0	0	0	0	0	0	0	0	0	0	0	0	MSK	PR2	PR1	PR0

(Slave Mode)

Bit 15-4: Reserved

Bit 3: MSK, Mask.

Set 1: Mask the interrupt source of the DMA 0 controller

Set 0: Enable the DMA 1 controller interrupt.

Bit 2-0: PR, Interrupt Priority

These bit settings for priority selection are the same as those of bit 2-0 of 44h.

Timer Interrupt Control Register

Offset : 32h

Reset Value : 000Fh

15	14	13	12	11	10	9	8	7	6	5	4	3	2	1	0
0	0	0	0	0	0	0	0	0	0	0	0	MSK	PR2	PR1	PR0

(Master Mode)

Bit 15-4: Reserved

Bit 3: MSK, Mask.

Set 1: Mask the interrupt source of the timer controller

Set 0: Enable the timer controller interrupt.

Bit 2-0: PR, Interrupt Priority

These bit settings for priority selection are the same as those of bit 2-0 of 44h.

Timer Interrupt Control Register

Offset : 32h

Reset Value : 0000h

15	14	13	12	11	10	9	8	7	6	5	4	3	2	1	0
0	0	0	0	0	0	0	0	0	0	0	0	MSK	PR2	PR1	PR0

(Slave Mode)

Bit 15-4: Reserved

Bit 3: MSK, Mask. Set 1: Mask the interrupt source of the timer 0 controller

Set 0: Enable the timer 0 controller interrupt.

Bit 2-0: PR, Interrupt Priority

These bit settings for priority selection are the same as those of bit 2-0 of 44h.

Interrupt Status Register

Offset : 30h

Reset Value : —

15	14	13	12	11	10	9	8	7	6	5	4	3	2	1	0
DHLT													TMR2	TMR1	TMR0

(Master Mode), Reset value undefined

Bit 15: DHLT, DMA Halt. Set 1: Halt any DMA activity when non-maskable interrupts occur.

Set 0: When an IRET instruction is executed.

Bit 14-3: Reserved.

Bit 2-0: TMR2-TMR0,

Set 1: Indicate the corresponding timer has an interrupt request pending.

Interrupt Status Register

Offset : 30h

Reset Value : 0000h

15	14	13	12	11	10	9	8	7	6	5	4	3	2	1	0
DHLT													TMR2	TMR1	TMR0

(Slave Mode)

Bit 15: DHLT, DMA Halt.

Set 1: Halt any DMA activity when non-maskable interrupts occur.

Set 0: When an IRET instruction is executed.

Bit 14-3: Reserved.

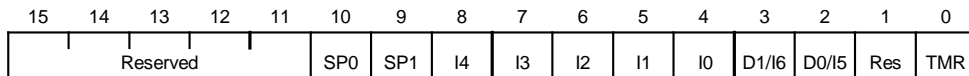
Bit 2-0: TMR2-TMR0,

Set 1: Indicate the corresponding timer has an interrupt request pending.

Interrupt Request Register

Offset : 2Eh

Reset Value : —



(Master Mode)

The Interrupt Request register is a read-only register. For internal interrupts (SP0, SP1, D1/I6, D0/I5 and TMR), the corresponding bit is set to 1 when the device requests an interrupt. The bit is reset during the internally generated interrupt acknowledge. For INT4-INT0 external interrupts, the corresponding bit (I4-I0) reflects the current value of the external signal.

Bit 15-11: Reserved.

Bit 10: SP0, Serial Port 0 Interrupt Request. Indicate the interrupt state of the serial port 0.

Bit 9: SP1, Serial Port 1 Interrupt Request. Indicate the interrupt state of the serial port 1.

Bit 8-4: I4-I0, Interrupt Requests.

Set 1: The corresponding INT pin has an interrupt pending.

Bit 3-2: D1/I6-D0/I5, DMA Channel or INT Interrupt Request.

Set 1: The corresponding DMA channel or INT has an interrupt pending.

Bit 1: Reserved.

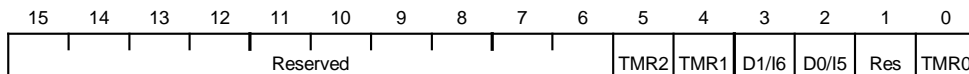
Bit 0: TMR, Timer Interrupt Request.

Set 1: The timer control unit has an interrupt pending.

Interrupt Request Register

Offset : 2Eh

Reset Value : 0000h



(Slave Mode)

The Interrupt Request register is a read-only register. For internal interrupts (D1/I6, D0/I5, TMR2, TMR1 and TMR0), the corresponding bit is set to 1 when the device requests an interrupt. The bit is reset during the internally generated interrupt acknowledge.

Bit 15-6: Reserved.

Bit 5-4: TMR2/TMR1, Timer2/Timer1 Interrupt Request.

Set 1: Indicate the state of any interrupt requests form the associated timer.

Bit 3-2: D1/I6-D0/I5, DMA Channel or INT Interrupt Request.

Set 1: Indicate the corresponding DMA channel or INT has an interrupt pending.

Bit 1: Reserved.

Bit 0: TMR0, Timer 0 Interrupt Request.

Set 1: Indicate the state of an interrupt request from Timer 0.

Interrupt In-Service Register

Offset : 2Ch

Reset Value : 0000h

15	14	13	12	11	10	9	8	7	6	5	4	3	2	1	0
Reserved				SP0	SP1	I4	I3	I2	I1	I0	D1/I6	D0/I5	Res	TMR	

(Master Mode)

The bits in the INSERV register are set by the interrupt controller when the interrupt is taken. Each bit in the register is cleared by writing the corresponding interrupt type to the EOI register.

Bit 15-11: Reserved.

Bit 10: SP0, Serial Port 0 Interrupt In-Service.

Set 1: the serial port 0 interrupt is currently being serviced.

Bit 9: SP1, Serial Port 1 Interrupt In-Service. Set 1: the serial port 1 interrupt is currently being serviced.

Bit 8-4: I4-I0, Interrupt In-Service.

Set 1: the corresponding INT interrupt is currently being serviced.

Bit 3-2: D1/I6-D0/I5, DMA Channel or INT Interrupt In-Service.

Set 1: the corresponding DMA channel or INT interrupt is currently being serviced.

Bit 1: Reserved.

Bit 0: TMR, Timer Interrupt In-Service. Set 1: the timer interrupt is currently being serviced.

Interrupt In-Service Register

Offset : 2Ch

Reset Value : 0000h

15	14	13	12	11	10	9	8	7	6	5	4	3	2	1	0
Reserved										TMR2	TMR1	D1/I6	D0/I5	Rsvd	TMR0

(Slave Mode)

The bits in the In-Service register are set by the interrupt controller when the interrupt is taken. The in-Service bits are cleared by writing to the EOI register.

Bit 15-6: Reserved.

Bit 5-4: TMR2-TMR1, Timer2/Timer1 Interrupt In-Service.

Set 1: the corresponding timer interrupt is currently being serviced.

Bit 3-2: D1/I6-D0/I5, DMA Channel or INT Interrupt In-Service.

Set 1: the corresponding DMA Channel or INT Interrupt is currently being serviced.

Bit 1: Reserved.

Bit 0: TMR0, Timer 0 Interrupt In-Service.

Set 1: the Timer 0 interrupt is currently being serviced.

Priority Mask Register

Offset : 2Ah

Reset Value : 0007h

15	14	13	12	11	10	9	8	7	6	5	4	3	2	1	0
0	0	0	0	0	0	0	0	0	0	0	0	0	PRM2	PRM1	PRM0

(Master Mode)

It determines the minimum priority level at which maskable interrupts can generate an interrupt.

Bit 15-3: Reserved.

Bit 2-0: PRM2-PRM0, Priority Field Mask. It determines the minimum priority that is required in order for a maskable interrupt source to generate an interrupt.

Priority	PR2-PR0
(High) 0	000
1	001
2	010
3	011
4	100
5	101
6	110
(Low) 7	111

Priority Mask Register

Offset : 2Ah

Reset Value : 0007h

15	14	13	12	11	10	9	8	7	6	5	4	3	2	1	0
0	0	0	0	0	0	0	0	0	0	0	0	0	PRM2	PRM1	PRM0

(Slave Mode)

It determines the minimum priority level at which maskable interrupts can generate an interrupt.

Bit 15-3: Reserved.

Bit 2-0: PRM2-PRM0, Priority Field Mask. It determines the minimum priority that is required in order for a maskable interrupt source to generate an interrupt.

Priority	PR2-PR0
(High) 0	000
1	001
2	010
3	011
4	100
5	101
6	110
(Low) 7	111

Interrupt Mask Register

Offset : 28h

Reset Value : 07FDh

15	14	13	12	11	10	9	8	7	6	5	4	3	2	1	0
Reserved				SP0	SP1	I4	I3	I2	I1	I0	D1/I6	D0/I5	Res	TMR	

(Master Mode)

Bit 15-11: Reserved.

Bit 10: SP0, Serial Port 0 Interrupt Mask. The state of the mask bit of the asynchronous serial port 0 interrupt.

Bit 9: SP1, Serial Port 1 Interrupt Mask. The state of the mask bit of the asynchronous serial port 1 interrupt.

Bit 8-4: I4-I0, Interrupt Masks. Indicates the state of the mask bit of the corresponding interrupt.

Bit 3-2: D1/I6-D0/I5, DMA Channel or INT Interrupt Masks.

Indicates the state of the mask bit of the corresponding DMA Channel or INT interrupt.

Bit 1: Reserved.

Bit 0: TMR, Timer Interrupt Mask. The state of the mask bit of the timer control unit .

Interrupt Mask Register

Offset : 28h

Reset Value : 003Dh

15	14	13	12	11	10	9	8	7	6	5	4	3	2	1	0
Reserved										TMR2	TMR1	D1/I6	D0/I5	Res	TMR0

(Slave Mode)

Bit 15-6: Reserved.

Bit 5-4: TMR2-TMR1, Timer 2/Timer1 Interrupt Mask. The state of the mask bit of the Timer Interrupt Control register.

Set 1: Timer2 or Time1 has its interrupt requests masked

Bit 3-2: D1/I6-D0/I5, DMA Channel or INT Interrupt Mask.

Indicate the state of the mask bits of the corresponding DMA or INT6/INT5 control register.

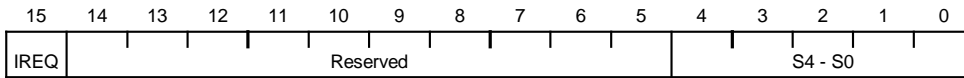
Bit 1: Reserved.

Bit 0: TMR0, Timer 0 Interrupt Mask. The state of the mask bit of the Timer Interrupt Control Register

Poll Status Register

Offset : 26h

Reset Value : —



(Master Mode)

The Poll Status (POLLST) register mirrors the current state of the Poll register. The POLLST register can be read without affecting the current interrupt request.

Bit 15: IREQ, Interrupt Request.

Set 1: if an interrupt is pending. The S4-S0 field contains valid data.

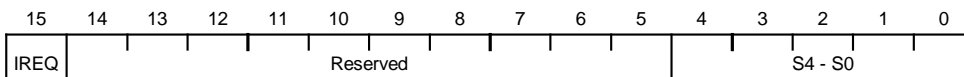
Bit 14-5: Reserved.

Bit 4-0: S4-S0, Poll Status. Indicate the interrupt type of the highest priority pending interrupt.

Poll Register

Offset : 24h

Reset Value : —



(Master Mode)

When the Poll register is read, the current interrupt is acknowledged and the next interrupt takes its place in the Poll register.

Bit 15: IREQ, Interrupt Request.

Set 1: if an interrupt is pending. The S4-S0 field contains valid data.

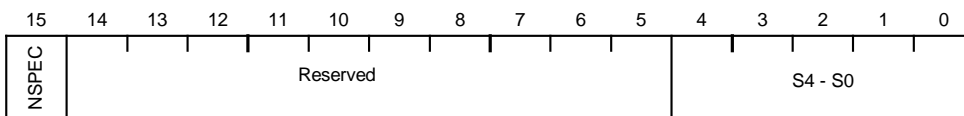
Bit 14-5: Reserved.

Bit 4-0: S4-S0, Poll Status. Indicates the interrupt type of the highest priority pending interrupt.

End-of-Interrupt Register

Offset : 22h

Reset Value : —



(Master Mode)

Bit 15: NSPEC, Non-Specific EOI.

Set 1: Indicate non-specific EOI.

Set 0: Indicate the specific EOI interrupt type in S4-S0.

Bit 14-5: Reserved.

Bit 4-0: S4-S0, Source EOI Type. Specify the EOI type of the interrupt that is currently being processed.

Note: We suggest the specific EOI is the most secure method to use for resetting In-Service bit.

Specific End-of-Interrupt Register

Offset : 22h

Reset Value : 0000h

15	14	13	12	11	10	9	8	7	6	5	4	3	2	1	0
0	0	0	0	0	0	0	0	0	0	0	0	0	L2	L1	L0

(Slave Mode)

Bit 15-3: Reserved.

Bit 2-0: L2-L0, Interrupt Type. Encoded values indicate the priority of the IS (interrupt service) bit to reset. Writes to these bits cause an EOI to be issued for the interrupt type in slave mode.

Interrupt Vector Register

Offset : 20h

Reset Value : —

15	14	13	12	11	10	9	8	7	6	5	4	3	2	1	0
0	0	0	0	0	0	0	0	T4 - T0				0	0	0	

(Slave Mode)

Bit 15-8: Reserved

Bit 7-3: T4-T0, Interrupt Type.

The following interrupt types of slave mode can be programmed.

Timer 2 interrupt controller: (T4, T3, T2, T1, T0, 1, 0, 1)b

Timer 1 interrupt controller: (T4, T3, T2, T1, T0, 1, 0, 0)b

DMA 1 interrupt controller: (T4, T3, T2, T1, T0, 0, 1, 1)b

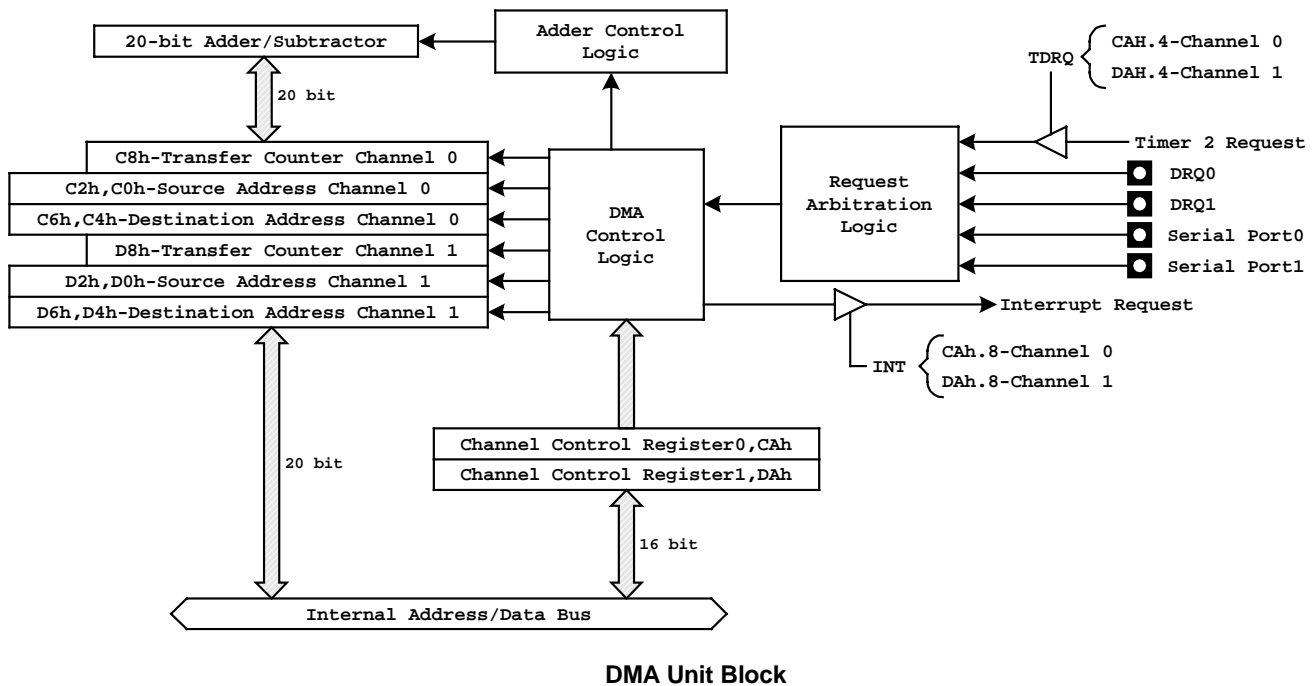
DMA 0 interrupt controller: (T4, T3, T2, T1, T0, 0, 1, 0)b

Timer 0 interrupt controller: (T4, T3, T2, T1, T0, 0, 0, 0)b

Bit 2-0: Reserved

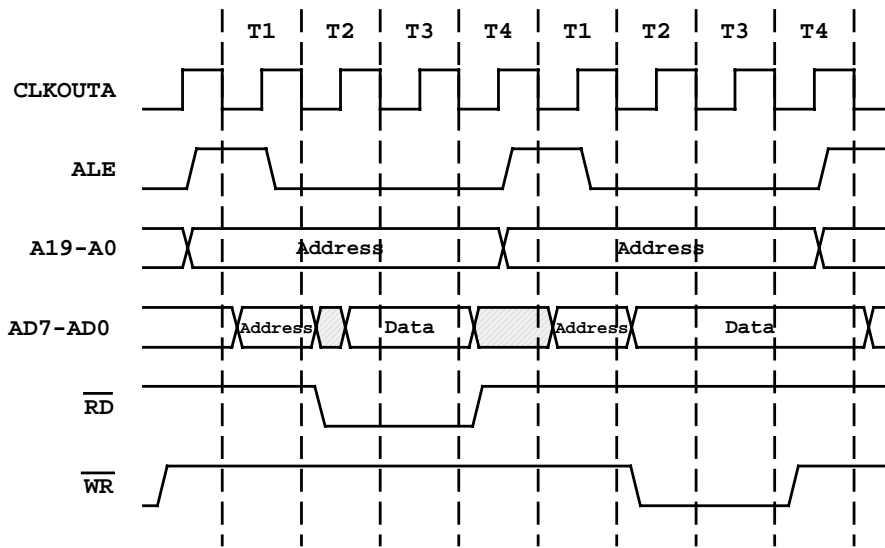
15. DMA Unit

The DMA controller provides the data transfer between the memory and peripherals without the intervention of the CPU. There are two DMA channels in the DMA unit. Each channel can accept DMA requests from one of three sources: external pins (DRQ0 for channel 0 or DRQ1 for channel 1), serial ports (port 0 or port 1), or Timer 2 overflow. The data transfer from sources to destinations can be memory to memory, memory to I/O, I/O to I/O, or I/O to memory. Either bytes or words can be transferred to or from even or odd addresses and two bus cycles are necessary (reads from sources and writes to destinations) for each data transfer.



15.1 DMA Operation

Every DMA transfer consists of two bus cycles (see figure of Typical DMA Transfer) and the two bus cycles cannot be separated by a bus hold request, a refresh request or another DMA request. The registers (CAh, C8h, C6h, C4h, C2h, C0h, DAh, D8h, D6h, D4h, D2h and D0h) are used to configure and operate the two DMA channels.



Typical DMA Transfer

DMA0 Control Register

Offset : CAh (DMA0)

Reset Value : ----

15	14	13	12	11	10	9	8	7	6	5	4	3	2	1	0
DM/I \bar{O}	DDEC	DINC	SM/I \bar{O}	SDEC	SINC	TC	INT	SYN1	SYN0	P	TDRQ	EXT	CHG	ST	\bar{B}/W

Bit 15: DM/I \bar{O} , Destination Address Space Select.

Set 1: The destination address is in memory space.

Set 0: The destination address is in I/O space.

Bit 14: DDEC, Destination Decrement.

Set 1: The destination address is automatically decremented after each transfer.

The \bar{B}/W (bit 0) bit determines the decremented value which is by 1. When both of the DDEC and DINC bits are set to 1, the address remains constant.

Set 0: Disable the decrement function.

Bit 13: DINC, Destination Increment.

Set 1: The destination address is automatically incremented after each transfer.

The \bar{B}/W (bit 0) bit determines the incremented value which is by 1.

Set 0: Disable the increment function.

Bit 12: SM/I \bar{O} , Source Address Space Select.

Set 1: The Source address is in memory space.

Set 0: The Source address is in I/O space

Bit 11: SDEC, Source Decrement.

Set 1: The Source address is automatically decremented after each transfer.

The \bar{B}/W (bit 0) bit determines the decremented value which is by 1. When both of the SDEC and SINC bits

are set to 1, the address remains constant.

Set 0: Disable the decrement function.

Bit 10: SINC, Source Increment.

Set 1: The Source address is automatically incremented after each transfer.

The $\overline{B/W}$ (bit 0) bit determines the incremented value which is by 1.

Set 0: Disable the increment function

Bit 9: TC, Terminal Count.

Set 1: The synchronized DMA transfer is terminated when the DMA transfer count register reaches 0.

Set 0: The synchronized DMA transfer is terminated when the DMA transfer count register reaches 0.

The unsynchronized DMA transfer is always terminated when the DMA transfer count register reaches 0, regardless of the setting of this bit.

Bit 8: INT, Interrupt.

Set 1: DMA unit generates an interrupt request when the transfer count is completed.

The TC bit must be set to 1 to generate an interrupt.

Bit 7-6: SYN1-SYN0, Synchronization Type Selection.

<u>SYN1</u> , <u>SYN0</u>	--	<u>Synchronization Type</u>
0 , 0	--	Unsynchronized
0 , 1	--	Source synchronized
1 , 0	--	Destination synchronized
1 , 1	--	Reserved

Bit 5: P, Priority.

Set 1: It selects high priority for this channel when both DMA 0 and DMA 1 are transferred at the same time.

Bit 4: TDRQ, Timer Enable/Disable Request

Set 1: Enable the DMA requests from timer 2.

Set 0: Disable the DMA requests from timer 2.

Bit 3: EXT, External Interrupt Enable bit.

Set 1: The external pin is an interrupt pin (DMA0 function is disabled).

Set 0: The external pin is a DRQ pin.

Bit 2: CHG, Changed Start Bit. This bit must be set to 1 when the ST bit is modified.

Bit 1: ST, Start/Stop DMA channel.

Set 1: Start the DMA channel

Set 0: Stop the DMA channel

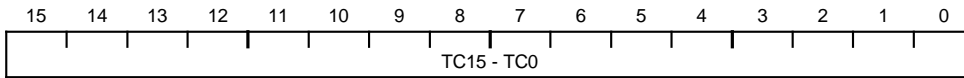
Bit 0: $\overline{B/W}$, Byte/Word Select.

This bit is fixed to low.

DMA0 Transfer Count Register

Offset : C8h (DMA0)

Reset Value : —

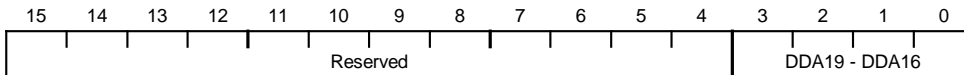


Bit 15-0: TC15-TC0, DMA 0 transfer Count. The value of this register is decremented by 1 after each transfer.

DMA0 Destination Address High Register

Offset : C6h (DMA0)

Reset Value : —



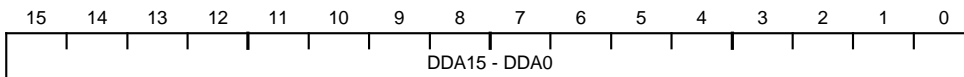
Bit 15-4: Reserved

Bit 3-0: DDA19-DDA16, High DMA 0 Destination Address. These bits are mapped to A19- A16 during a DMA transfer when the destination address is in memory space or I/O space. If the destination address is in I/O space (64Kbytes), these bits must be programmed to 0000b.

DMA0 Destination Address Low Register

Offset : C4h (DMA0)

Reset Value : —

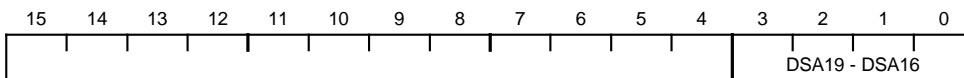


Bit 15-0: DDA15-DDA0, Low DMA 0 Destination Address. These bits are mapped to A15- A0 during a DMA transfer. The value of (DDA19-DDA0) will be incremented or decremented by 2 after each DMA transfer.

DMA0 Source Address High Register

Offset : C2h (DMA0)

Reset Value : —



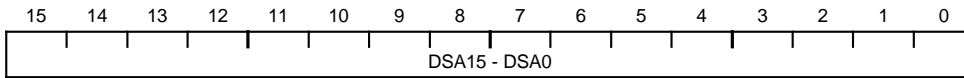
Bit 15-4: Reserved

Bit 3-0: DSA19-DSA16, High DMA 0 Source Address. These bits are mapped to A19- A16 during a DMA transfer when the source address is in memory space or I/O space. If the source address is in I/O space (64Kbytes), these bits must be programmed to 0000b.

DMA0 Source Address Low Register

Offset : C0h (DMA0)

Reset Value : —



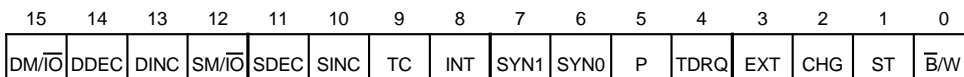
Bit 15-0: DSA15-DSA0, Low DMA 0 Source Address. These bits are mapped to A15- A0 during a DMA transfer.

The value of (DSA19-DSA0) will be incremented or decremented by 2 after each DMA transfer.

DMA1 Control Register

Offset : DAh (DMA1)

Reset Value : ----

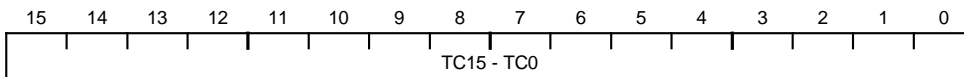


The definitions of Bit 15-0 for DMA1 are the same as those of Bit 15-0 of register CAh for DMA0.

DMA1 Transfer Count Register

Offset : D8h (DMA1)

Reset Value : —

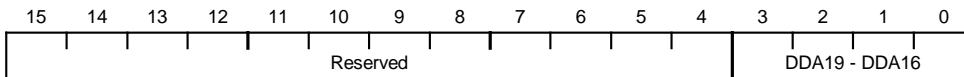


Bit 15-0: TC15-TC0, DMA 1 transfer Count. The value of this register is decremented by 1 after each transfer.

DMA1 Destination Address High Register

Offset : D6h (DMA1)

Reset Value : —



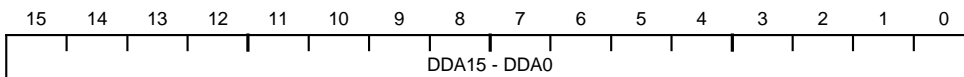
Bit 15-4: Reserved

Bit 3-0: DDA19-DDA16, High DMA 1 Destination Address. These bits are mapped to A19- A16 during a DMA transfer when the destination address is in memory space or I/O space. If the destination address is in I/O space (64Kbytes), these bits must be programmed to 0000b.

DMA1 Destination Address Low Register

Offset : D4h (DMA1)

Reset Value : —



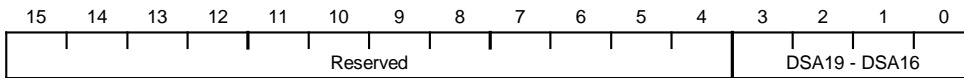
Bit 15-0: DDA15-DDA0, Low DMA 1 Destination Address. These bits are mapped to A15- A0 during a DMA transfer.

The value of (DDA19-DDA0) will be incremented or decremented by 2 after each DMA transfer.

DMA1 Source Address High Register

Offset : D2h (DMA1)

Reset Value : —



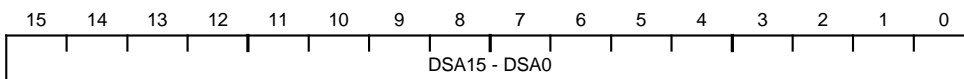
Bit 15-4: Reserved

Bit 3-0: DSA19-DSA16, High DMA 1 Source Address. These bits are mapped to A19- A16 during a DMA transfer when the source address is in memory space or I/O space. If the source address is in I/O space (64Kbytes), these bits must be programmed to 0000b.

DMA1 Source Address Low Register

Offset : D0h (DMA1)

Reset Value : —

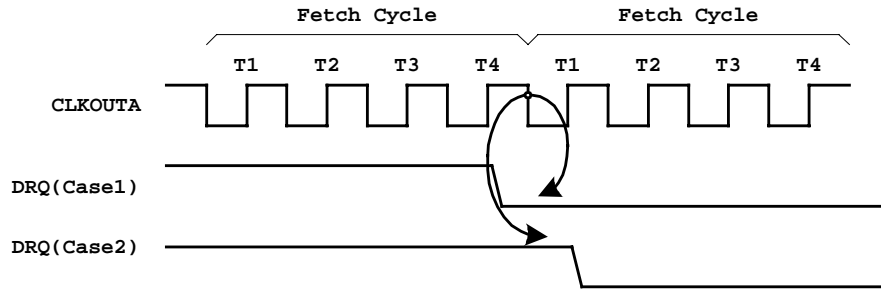


Bit 15-0: DSA15-DSA0, Low DMA 1 Source Address. These bits are mapped to A15- A0 during a DMA transfer. The value of (DSA19-DSA0) will be incremented or decremented by 2 after each DMA transfer.

15.2 External Requests

External DMA requests are asserted on the DRQ pins. The DRQ pins are sampled on the falling edge of CLKOUTA. It takes a minimum of four clocks before the DMA cycle is initiated by the Bus Interface. The DMA request is cleared four clocks before the end of the DMA cycle. And no DMA acknowledge is provided, since the chip-selects (MCSx and PCSx) can be programmed to be active for a given block of memory or I/O space, and the DMA source and destination address registers can be programmed to point to the same given block.

DMA transfer can be either source- or destination- synchronized, and it can also be unsynchronized. The Source-Synchronized Transfer figure shows the typical source-synchronized transfer which provides the source device at least three clock cycles from the time it is acknowledged to de-assert its DRQ line.

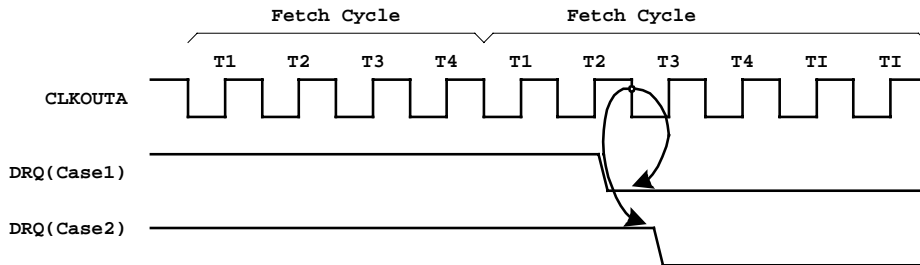


NOTES:

- Case1 :** Current source synchronized transfer will not be immediately followed by another DMA transfer.
- Case2 :** Current source synchronized transfer will be immediately followed by another DMA transfer.

Source-Synchronized Transfers

The Destination-Synchronized Transfer figure shows the typical destination-synchronized transfer which differs from a source-synchronized transfer in which two idle states are added to the end of the deposit cycle. The two idle states extend the DMA cycle to allow the destination device to de-assert its DRQ pin four clocks before the end of the cycle. If the two idle states were not inserted, the destination device would not have time to de-assert its DRQ signal.



NETES:

- Case1 :** Current destination synchronized transfer will not be immediately followed by another DMA transfer.
- Case2 :** Current destination synchronized transfer will be immediately followed by another DMA transfer.

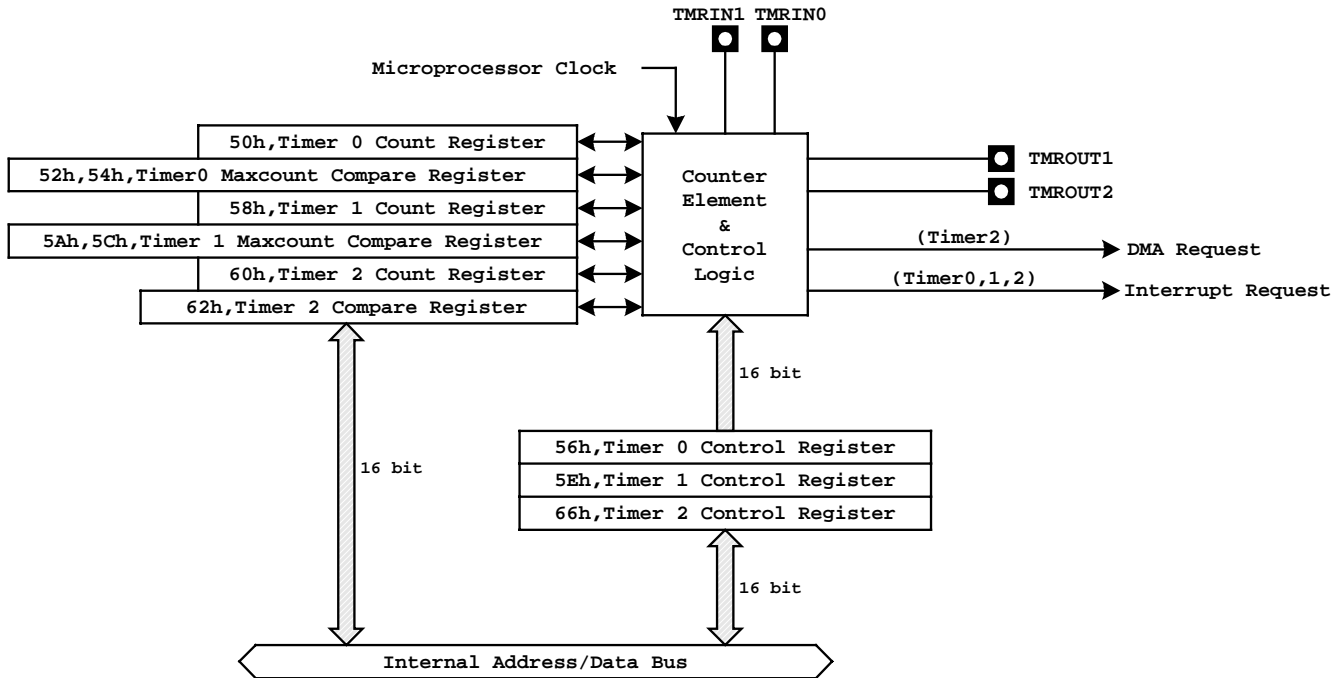
Destination-Synchronized Transfers

15.3 Serial Port/DMA Transfer

The serial port data can be DMA transfer to or from memory (or IO) space. And the \overline{B}/W bit of DMA control Register must be set 1 for byte transfer. The map address of Transmit Data Register is written to the DMA Destination Address Register and the memory (or I/O) address is written to the DMA Source Address Register when data are transmitted. The map address of Receive Data Register is written to the DMA Source Address Register and the memory (or I/O) address is written to the DMA Destination Address Register when data are received.

Software is used to program the Serial Port Control Register to perform the serial port/DMA transfer. When a DMA channel is in use by a serial port, the corresponding external DMA request signal is deactivated. For DMA to the serial port, the DMA channel should be configured as destination-synchronized. For DMA from the serial port, the DMA channel should be configured as source-synchronized.

16. Timer Control Unit



Timer / Counter Unit Block

There are three 16-bit programmable timers in the R8830. The timer operation is independent of the CPU. The three timers can be programmed as a timer element or as a counter element. Timers 0 and 1 are each connected to two external pins (TMRIN0, TMROUT0, TMRIN1 and TMROUT1) which can be used to count or time external events, or used to generate variable-duty-cycle waveforms. Timer 2 is not connected to any external pins. It can be used as a pre-scaler to timer 0 and timer 1 or as a DMA request source.

Timer 0 Mode / Control Register

Offset : 56h

Reset Value : 0000h

15	14	13	12	11	10	9	8	7	6	5	4	3	2	1	0
EN	$\overline{\text{INH}}$	INT	RIU	0	0	0	0	0	0	MC	RTG	P	EXT	ALT	CONT

Bit 15: EN, Enable Bit.

Set 1: The timer 0 is enabled.

Set 0: The timer 0 is inhibited from counting.

The $\overline{\text{INH}}$ bit must be set to 1 when the EN bit is written, and the $\overline{\text{INH}}$ and EN bits must be in the same write.

Bit 14: $\overline{\text{INH}}$, Inhibit Bit. This bit allows selective updating the EN bit. The $\overline{\text{INH}}$ bit must be set to 1 when the EN bit is

written, and both the $\overline{\text{INH}}$ and EN bits must be in the same write. This bit is not stored and always read as 0.

Bit 13: INT, Interrupt Bit.

Set 1: An interrupt request is generated when the count register equals a maximum count. If the timer is configured in dual max-count mode, an interrupt is generated each time when the count reaches max-count A or max-count B

Set 0: Timer 0 will not issue interrupt requests.

Bit 12: RIU, Register in Use Bit.

Set 1: The Maxcount Compare B register of timer 0 is being used

Set 0: The Maxcount Compare A register of timer 0 is being used

Bit 11-6: Reserved.

Bit 5: MC, Maximum Count Bit. When the timer reaches its maximum count, the MC bit will be set to 1 by H/W. In dual maxcount mode, this bit is set each time when either Maxcount Compare A or Maxcount Compare B register is reached. This bit is set regardless of the INT bit (56h.13).

Bit 4: RTG, Re-trigger Bit. This bit defines the control function by the input signal of the TMRIN0 pin. When EXT=1 (56h.2), this bit is ignored.

Set 1: Timer0 Count Register (50h) counts internal events; Reset the counting on every TMRIN0 input signal from low to high (rising edge trigger).

Set 0: Low input holds the timer 0 Count Register (50h) value; High input enables the counting which counts internal events.

The definition of setting the (EXT, RTG)

(0, 0) – Timer0 counts the internal events if the TMRIN0 pin remains high.

(0, 1) – Timer0 counts the internal events; count register reset on every rising transition on the TMRIN0 pin

(1, x) – The TMRIN0 pin input acts as a clock source and timer0 count register is incremented by one every external clock.

Bit 3: P, Pre-scaler Bit. This bit and EXT (56h.2) define the timer0 clock source.

The definition of setting the (EXT, P)

(0, 0) – Timer0 Count Register is incremented by one every four internal processor clock.

(0, 1) – Timer0 count register is incremented by one which is pre-scaled by timer 2.

(1, x) – The TMRIN0 pin input acts as a clock source and Timer0 Count Register is incremented by one every external clock.

Bit 2: EXT, External Clock Bit.

Set 1: Timer0 clock source from external

Set 0: Timer0 clock source from internal

Bit 1: ALT, Alternate Compare Bit. This bit controls whether the timer runs in single or dual maximum count mode.

Set 1: Specify dual maximum count mode. In this mode the timer counts to Maxcount Compare A and resets the count register to 0. Then the timer counts to Maxcount Compare B, resets the count register to 0 again, and starts over with Maxcount Compare A.

Set 0: Specify single maximum count mode. In this mode the timer counts to the value contained in Maxcount Compare A and reset to 0. Then the timer counts to Maxcount Compare A again. Maxcount Compare B is not used in this mode.

Bit 0: CONT, Continuous Mode Bit.

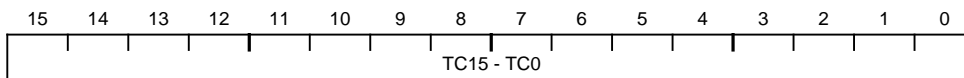
Set 1: The timer runs continuously.

Set 0: The timer will halt after each counting to the maximum count and the EN bit will be cleared.

Timer 0 Count Register

Offset : 50h

Reset Value : —

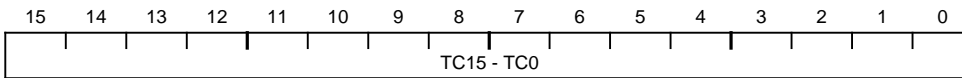


Bit 15 – 0: TC15-TC0, Timer 0 Count Value. This register contains the current count of timer 0. The count is incremented by one every four internal processor clocks, pre-scaled by the timer 2, or incremented by one every external clock which is through configuring the external clock select bit based on the TMRIN0 signal.

Timer 0 Maxcount Compare A Register

Offset : 52h

Reset Value : —

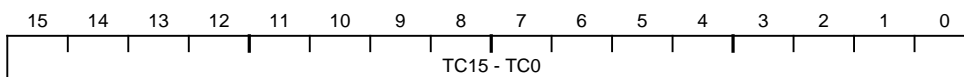


Bit 15-0: TC15 – TC0, Timer 0 Compare A Value.

Timer 0 Maxcount Compare B Register

Offset : 54h

Reset Value : —

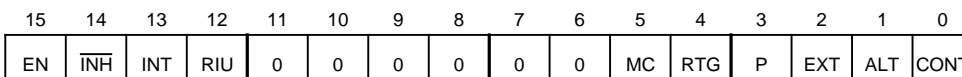


Bit 15-0: TC15 – TC0, Timer 0 Compare B Value.

Timer 1 Mode / Control Register

Offset : 5Eh

Reset Value : 0000h

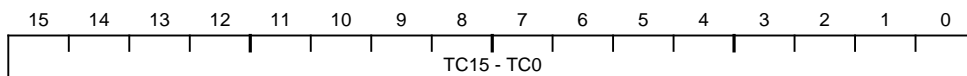


These bit definitions for timer 1 are the same as those of register 56h for timer0.

Timer 1 Count Register

Offset : 58h

Reset Value : —

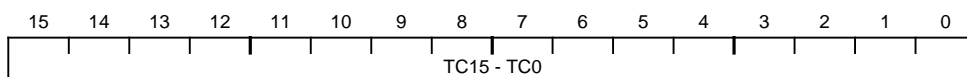


Bit 15 – 0: TC15-TC0, Timer 1 Count Value. This register contains the current count of timer 1. The count is incremented by one every four internal processor clocks, pre-scaled by the timer 2, or incremented by one every external clock which is through configuring the external clock select bit based on the TMRIN1 signal.

Timer 1 Maxcount Compare A Register

Offset : 5Ah

Reset Value : —

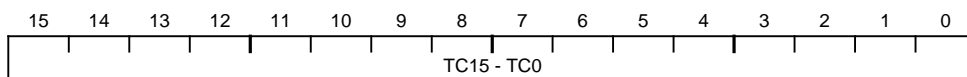


Bit 15-0: TC15 – TC0, Timer 1 Compare A Value.

Timer 1 Maxcount Compare B Register

Offset : 5Ch

Reset Value : —



Bit 15-0: TC15 – TC0, Timer 1 Compare B Value.

Timer 2 Mode / Control Register

Offset : 66h

Reset Value : 0000h



Bit 15: EN, Enable Bit.

Set 1: Timer 2 is enabled.

Set 0: Timer 2 is inhibited from counting.

The $\overline{\text{INH}}$ bit must be set to 1 when the EN bit is written, and the $\overline{\text{INH}}$ and EN bits must be in the same write.

Bit 14: $\overline{\text{INH}}$, Inhibit Bit. This bit allows selective updating the EN bit. The $\overline{\text{INH}}$ bit must be set to 1 when the EN bit is written, and both the $\overline{\text{INH}}$ and EN bits must be in the same write. This bit is not stored and always read as 0.

Bit 13: INT, Interrupt Bit.

Set 1: An interrupt request is generated when the count register equals a maximum count.

Set 0: Timer 2 will not issue interrupt request.

Bit 12-6: Reserved.

Bit 5: MC, Maximum Count Bit. When the timer reaches its maximum count, the MC bit will be set to 1 by H/W. This bit is set regardless of the INT bit (66h.13).

Bit 4-1: Reserved.

Bit 0: COUNT, Continuous Mode Bit.

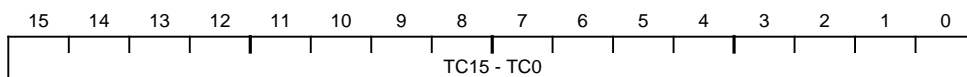
Set 1: Timer is continuously running when timer reaches the maximum count.

Set 0: The EN bit (66h.15) is cleared and the timer is held after each timer count reaches the maximum count.

Timer 2 Count Register

Offset : 60h

Reset Value : —

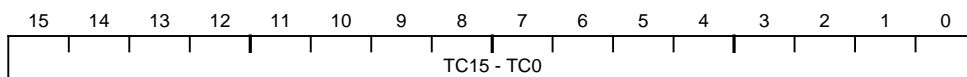


Bit 15 – 0: TC15-TC0, Timer 2 Count Value. This register contains the current count of timer 2. The count is incremented by one every four internal processor clocks.

Timer 2 Maxcount Compare A Register

Offset : 62h

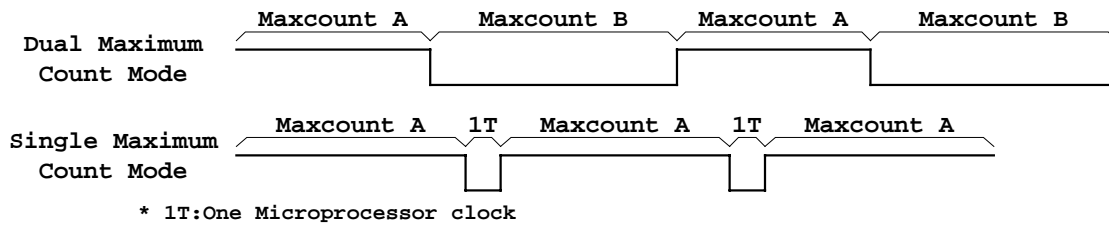
Reset Value : —



Bit 15-0: TC15 – TC0, Timer 2 Compare A Value.

16.1 Timer/Counter Unit Output Mode

Timers 0 and 1 can use one maximum count value or two maximum count values. Timer 2 can use only one maximum count value. Timer 0 and timer1 can be configured to single or dual Maximum Compare count mode. The TMROUT0 or TMROUT1 signals can be used to generated waveforms of various duty cycles.

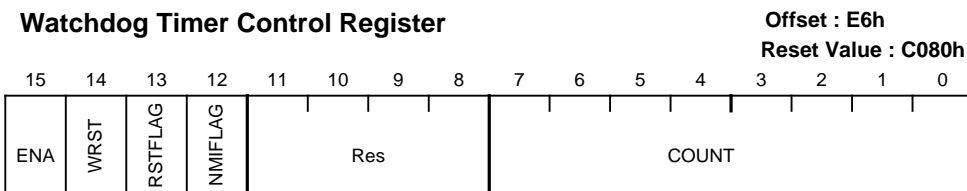


Timer/Counter Unit Output Modes

17. Watchdog Timer

The R8830 has one independent watchdog timer, which is programmable. **The watchdog timer is active after reset** and the timeout count is with a maximum count value. The keyed sequence (3333h, CCCCh) must be written to the register (E6h) first, then the new configuration to the Watchdog Timer Control Register. It is a single write, so every one writing to Watchdog Timer Control Register must follow this rule.

When the watchdog timer activates, an internal counter is counting. If this internal count is over the watchdog timer duration, the watchdog timeout happens. The keyed sequence (AAAAh, 5555h) must be written to the register (E6h) to reset the internal count and prevent the watchdog timeout. The internal count should be reset before the Watchdog Timer timeout period is modified to ensure that an immediate timeout will not occur.



Bit 15: ENA, Enable Watchdog Timer.

- Set 1: Enable Watchdog Timer.
- Set 0: Disable Watchdog Timer.

Bit 14: WRST, Watchdog Reset.

- Set 1: WDT generates a system reset when WDT timeout count is reached.
- Set 0: WDT generates an NMI interrupt when WDT timeout count is reached if the NMIFLAG bit is 0. If the NMIFLAG bit is 1, the WDT will generate a system reset when timeout.

Bit 13: RSTFLAG, Reset Flag. When watchdog timer reset event occurs, this bit will be set to 1 by Hardware. This bit will be cleared by any keyed sequence written to this register or external reset. This bit is 0 after an external reset or 1 after watchdog timer reset.

Bit 12: NMIFLAG, NMI Flag. After WDT generates an NMI interrupt, this bit will be set to 1 by H/W. This bit will be cleared by any keyed sequence written to this register.

Bit 11-8: Reserved.

Bit 7-0: COUNT, Timeout Count. The COUNT setting determines the duration of the watchdog timer timeout interval.

- a. The duration equation : **Duration** = $2^{\text{Exponent}} / \text{Frequency}$
- b. The Exponent of the COUNT setting:
 - (Bit 7, Bit 6, Bit 5, Bit 4, Bit 3, Bit 2, Bit 1, Bit 0) = (Exponent)
 - (0 , 0 , 0 , 0 , 0 , 0 , 0 , 0) = (N/A)
 - (x , x , x , x , x , x , x , x) = (10)

$$(x, x, x, x, x, x, 1, 0) = (20)$$

$$(x, x, x, x, x, 1, 0, 0) = (21)$$

$$(x, x, x, x, 1, 0, 0, 0) = (22)$$

$$(x, x, x, 1, 0, 0, 0, 0) = (23)$$

$$(x, x, 1, 0, 0, 0, 0, 0) = (24)$$

$$(x, 1, 0, 0, 0, 0, 0, 0) = (25)$$

$$(1, 0, 0, 0, 0, 0, 0, 0) = (26)$$

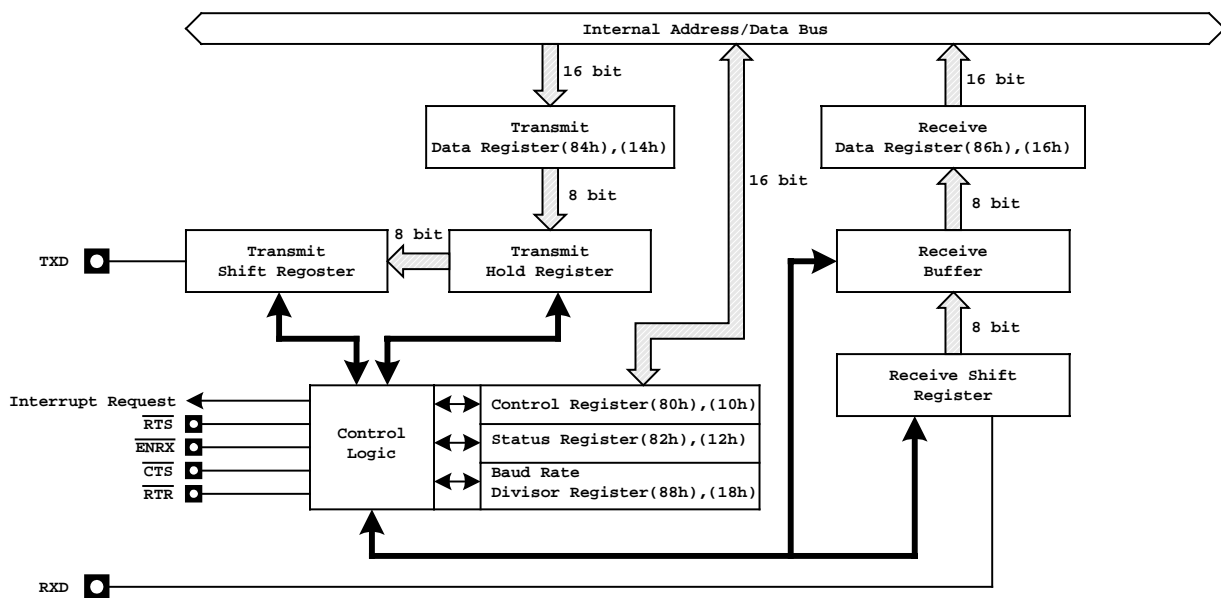
c. Watchdog timer Duration reference table:

Frequency\Exponent	10	20	21	22	23	24	25	26
20 MHz	51 us	52 ms	104 ms	209 ms	419 ms	838 ms	1.67 s	3.35 s
25 MHz	40 us	41 ms	83 ms	167 ms	335 ms	671 ms	1.34 s	2.68 s
33 MHz	30 us	31 ms	62 ms	125 ms	251 ms	503 ms	1.00 s	2.01 s
40 MHz	25 us	26 ms	52 ms	104 ms	209 ms	419 ms	838 ms	1.67 s

18. Asynchronous Serial Port

The R8830 has two asynchronous serial ports, which provide the TXD and RXD pins for the full duplex bi-directional data transfer and with handshaking signals \overline{CTS} , \overline{ENRX} , \overline{RTS} and \overline{RTR} . The serial ports support: 9-bit, 8-bit or 7-bit data transfer; odd parity, even parity, or no parity; 1 stop bits; Error detection; DMA transfers through the serial port; Multi-drop protocol (9-bit) support; Double buffers for transmit and receive.

The receive/transmit clock is based on the microprocessor clock. The serial port can be used in power-saved mode, but the transfer rate must be adjusted to correctly reflect the new internal operating frequency. Software is used to program the registers (80h, 82h, 84h, 86h and 88h – for port 0; 10h, 12h, 14h, 16h and 18h – for port 1) to configure the asynchronous serial port.



Serial Port Block Diagram

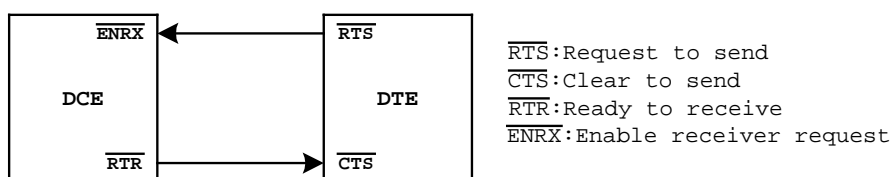
18.1 Serial Port Flow Control

The two serial ports are provided with two data pins (RXD and TXD) and two flow control signals (\overline{RTS} and \overline{RTR}). Hardware flow control is enabled when the FC bit in the Serial Port control Register is set. And the flow control signals are configured by software to support several different protocols.

18.1.1 DCE/DTE Protocol

The R8830 can be as a DCE (Data Communication Equipment) or as a DTE (Data Terminal Equipment). This protocol provides flow control where one serial port is receiving data and other serial port is sending data. To implement the DCE device, the ENRX bit should be set and the RTS bit should be cleared for the associated serial port. To implement the DTE device, the ENRX bit should be cleared and the RTS bit should be set for the associated serial port. The ENRX and RTS bits are in the register F2h.

The DCE/DTE protocol is asymmetric interface since the DTE device cannot signal the DCE device that is ready to receive data, and the DCE cannot send the request to send signals.



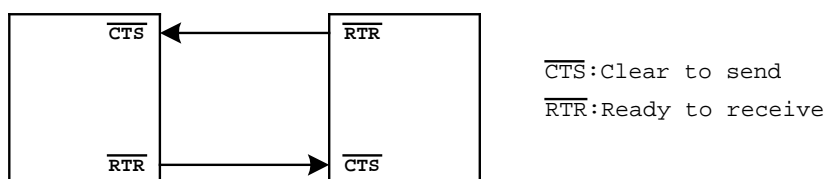
DCE/DTE Protocol Connection

The DCE/DTE protocol communication step:

- a. DTE send data to DCE
- b. $\overline{\text{RTS}}$ signal is asserted by DTE when data is available.
- c. The $\overline{\text{RTS}}$ signal is interpreted by the DCE device as a request to enable its receiver.
- d. The DCE asserts the $\overline{\text{RTR}}$ signal to response that DCE is ready to receive data.

18.1.2 CTS/RTR Protocol

The serial port can be programmed as a CTS/RTS protocol by clearing both ENRX bit and RTS bit. This protocol is a symmetric interface, which provides flow control when both ports are sending and receiving data.



CTS/RTR Protocol Connection

18.2 DMA Transfer to/from a Serial Port Function

DMA transfers to the serial port function as destination-synchronized DMA transfers. A new transfer is requested when the Transmit Holding Register is empty. When the port is configured for DMA transmits, the corresponding transmit interrupt is disabled regardless of the TXIE bit setting.

DMA transfers from the serial port function as source-synchronized DMA transfers. A new transfer is requested when the Receive Buffer contains valid data. When the port is configured for DMA receives, the corresponding receive interrupt is disabled regardless of the RXIE bit setting.

The DMA request is generated internally when a DMA channel is being used for serial port transfers. And the DRQ0 or DRQ1 is not active when a serial port DMA transfers. Hardware handshaking may be used in conjunction with serial port DMA transfers.

18.3 The Asynchronous Modes Description

There are 4 modes operation in the asynchronous serial port.

Mode 1: Mode 1 is the 8-bit asynchronous communications mode. Each frame consists of a start bit, eight data bits and a stop bit. When parity is used, the eighth data bit becomes the parity bit.

Mode 2: Mode 2 is used together with Mode 3 for multiprocessor communications over a common serial link. In mode 2, the RX machine will not complete a reception unless the ninth data bit is a one. Any character received with the ninth bit equal to zero is ignored. No flags are set, no interrupts occur and no data is transferred to Receive Data Register. In mode 3, characters are received regardless of the state of the ninth data bit.

Mode 3: Mode 3 is the 9-bit asynchronous communications mode. Mode 3 is the same as mode 1 except that a frame contains nine data bits. The ninth data bit becomes the parity bit when the parity feature is enabled.

Mode 4: Mode 4 is the 7-bit asynchronous communications mode. Each frame consists of a start bit, seven data bits and a stop bit. Parity bit is not available in mode 4.

Serial Port 0 Control Register

Offset : 80h
Reset Value : 0000h

15	14	13	12	11	10	9	8	7	6	5	4	3	2	1	0
DMA		RISE	BRK	TB8	FC	TXIE	RXIE	TMODE	RMODE	EVN	PE	MODE			

Bit 15-13: DMA, DMA Control Field. These bits configure the serial port for use with DMA transfers.

DMA control bits

(Bit 15, bit 14, bit 13)b	---	Receive	---	Transmit
(0, 0, 0)	---	No DMA	---	No DMA
(0, 0, 1)	---	DMA 0	---	DMA 1

(0, 1, 0)	---	DMA 1	---	DMA 0
(0, 1, 1)	---	N/A	---	N/A
(1, 0, 0)	---	DMA 0	---	No DMA
(1, 0, 1)	---	DMA 1	---	No DMA
(1, 1, 0)	---	No DMA	---	DMA 0
(1, 1, 1)	---	No DMA	---	DMA 1

Bit 12: RSIE, Receive Status Interrupt Enable. An exception occurs during data reception or error detection occurs will generate an interrupt.

Set 1: Enable the serial port 0 to generate an interrupt request.

Bit 11: BRK, Send Break.

Set this bit to 1, the TXD pin always drives low.

Long Break: The TXD is driven low for greater than (2M+3) bit times;

Short Break: The TXD is driven low for greater than M bit times;

* M= start bit + data bits number + parity bit + stop bit

Bit 10: TB8, Transmit Bit 8. This bit is transmitted as the ninth data bit in mode 2 and mode 3. This bit is cleared after every transmission.

Bit 9: FC, Flow Control Enable.

Set 1: Enable the hardware flow control for serial port 0.

Set 0 : Disable the hardware flow control for serial port 0.

Bit 8 : TXIE, Transmitter Ready Interrupt Enable. When the Transmit Holding Register is empty (The THRE bit in Status Register is set), an interrupt will occur.

Set 1: Enable the Interrupt.

Set 0: Disable the interrupt.

Bit 7: RXIE, Receive Data Ready Interrupt Enable. When the receiver buffer contains valid data (The RDR bit in Status Register is set), it will generate an interrupt.

Set 1: Enable the Interrupt.

Set 0: Disable the interrupt.

Bit 6 : TMODE, Transmit Mode.

Set 1: Enable the TX machines.

Set 0: Disable the TX machines.

Bit 5: RMODE, Received Mode.

Set 1: Enable the RX machines.

Set 0: Disable the RX machines.

Bit 4: EVN, Even Parity. This bit is valid only when the PE bit is set.

Set 1: the even parity checking is enforced (even number of 1s in frame).

Set 0: odd parity checking is enforced (odd number of 1s in frame).

Bit 3: PE, Parity Enable.

Set 1: Enable the parity checking.

Set 0: Disable the parity checking.

Bit 2-0: MODE, Mode of Operation.

(bit 2, bit 1, bit 0)	MODE	Data Bits	Parity Bits	Stop Bits
(0 , 0 , 1)	Mode 1	7 or 8	1 or 0	1
(0 , 1 , 0)	Mode 2	9	N/A	1
(0 , 1 , 1)	Mode 3	8 or 9	1 or 0	1
(1 , 0 , 0)	Mode 4	7	N/A	1

Serial Port 0 Status Register

Offset : 82h

Reset Value : —

15	14	13	12	11	10	9	8	7	6	5	4	3	2	1	0
Reserved				BRK1	BRK0	RB8	RDR	THRE	FER	OER	PER	TEMT	HS0	Res	

The Serial Port 0 Status Register provides information about the current status of the serial port 0.

Bit 15-11: Reserved.

Bit 10: BRK1, Long Break Detected. This bit should be reset by software.

When a long break is detected, this bit will be set high.

Bit 9: BRK0, Short Break Detected. This bit should be reset by software.

When a short break is detected, this bit will be set high

Bit 8: RB8, Received Bit 8. This bit should be reset by software.

This bit contains the ninth data bit received in mode 2 and mode 3.

Bit 7: RDR, Received Data Ready. Read only.

The Received Data Register contains valid data. This bit is set high and can only be reset by reading the Serial Port 0 Receive Register.

Bit 6: THRE, Transmit Hold Register Empty. Read only.

When the Transmit Hold Register is ready to accept data, this bit will be set. This bit will be reset when data is written to the Transmit Hold Register.

Bit 5: FER, Framing Error detected. This bit should be reset by software.

This bit is set when a framing error is detected.

Bit 4: OER, Overrun Error Detected. This bit should be reset by software.

This bit is set when an overrun error is detected.

Bit 3: PER, Parity Error Detected. This bit should be reset by software.

This bit is set when a parity error (for mode 1 and mode 3) is detected.

Bit 2: TEMT, Transmitter Empty. This bit is read only.

When the Transmit Shift Register is empty, this bit will be set.

Bit 1: HS0, Handshake Signal 0. This bit is read only.

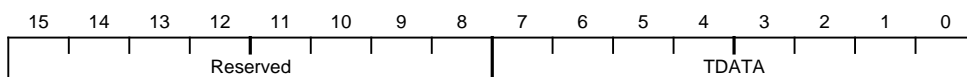
This bit reflects the inverted value of the external $\overline{\text{CTS0}}$ pin.

Bit 0: Reserved.

Serial Port 0 Transmit Register

Offset : 84h

Reset Value : —



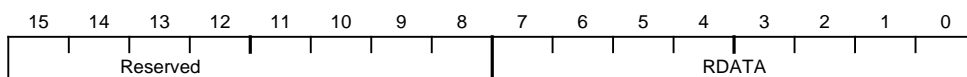
Bit 15-8: Reserved

Bit 7-0: TDATA, Transmit Data. This register is written by software with data to be transmitted on the serial port 0.

Serial Port 0 Receive Register

Offset : 86h

Reset Value : —



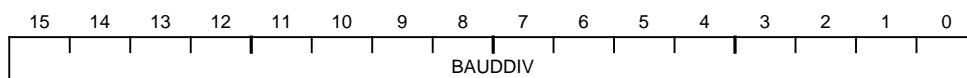
Bit 15-8: Reserved

Bit 7-0: RDATA, Received DATA. The RDR bit should be read as 1 before the RDATA register is read to avoid reading invalid data.

Serial Port 0 Baud Rate Divisor Register

Offset : 88h

Reset Value : 0000h



Bit 15-0: BAUDDIV, Baud Rate Divisor.

The general formula for baud rate divisor is **Baud Rate = Microprocessor Clock / (16 x BAUDDIV)**. For example, when the Microprocessor clock is 22.1184MHz and the BAUDDIV=12 (Decimal), the baud rate of serial port is 115.2k.

Serial Port 1 Control Register

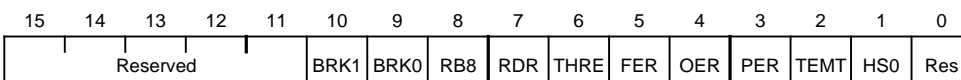
Offset : 10h
Reset Value : 0000h



These bit definitions are the same as those of Register 80h.

Serial Port 1 Status Register

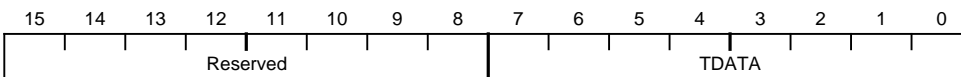
Offset : 12h
Reset Value : —



These bit definitions are the same as those of Register 82h.

Serial Port 1 Transmit Register

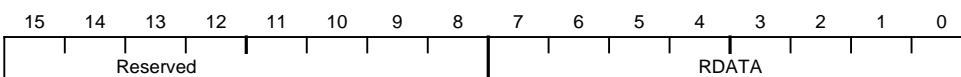
Offset : 14h
Reset Value : —



These bit definitions are the same as those of Register 84h.

Serial Port 1 Receive Register

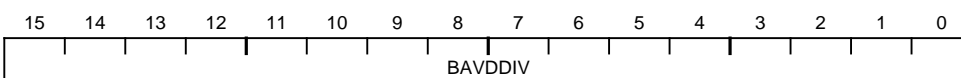
Offset : 16h
Reset Value : —



These bit definitions are the same as those of Register 86h.

Serial Port 1 Baud Rate Divisor Register

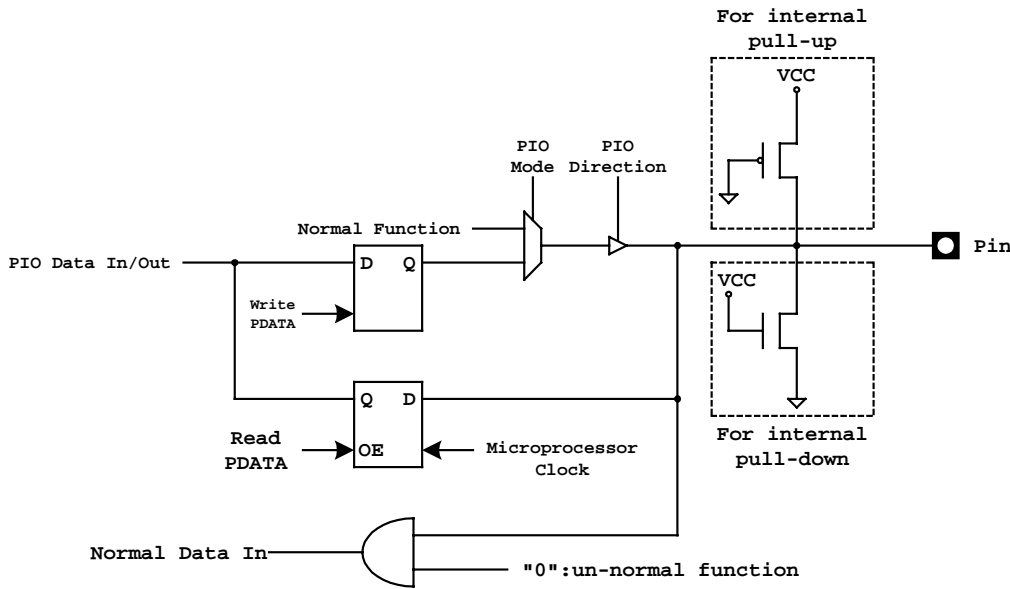
Offset : 18h
Reset Value : 0000h



These bit definitions are the same as those of Register 88h.

19. PIO Unit

The R8830 provides 32 programmable I/O signals, which are multi-functional pins with other normal function signals. Software is used to program the registers (7Ah, 78h, 76h, 74h, 72h and 70h) to configure the multi-functional pins for PIO or normal function.



PIO pin Operation Diagram

19.1 PIO Multi-Function Pin List Table

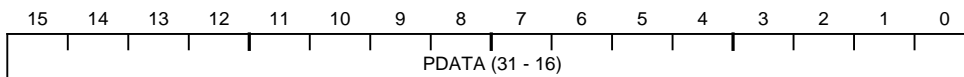
PIO No.	Pin No.	Multi Function	Reset status/PIO internal resistor
0	72	TMRIN1	Input with 10k pull-up
1	73	TMROUT1	Input with 10k pull-down
2	59	$\overline{\text{PCS6}} / \text{A2}$	Input with 10k pull-up
3	60	$\overline{\text{PCS5}} / \text{A1}$	Input with 10k pull-up
4	48	$\text{DT} / \overline{\text{R}}$	Normal operation/ Input with 10k pull-up
5	49	$\overline{\text{DEN}}$	Normal operation/ Input with 10k pull-up
6	46	SRDY	Normal operation/ Input with 10k pull-down
7	22	A17	Normal operation/ Input with 10k pull-up
8	20	A18	Normal operation/ Input with 10k pull-up
9	19	A19	Normal operation/ Input with 10k pull-up
10	74	TMROUT0	Input with 10k pull-down
11	75	TMRIN0	Input with 10k pull-up
12	77	DRQ0/INT5	Input with 10k pull-up
13	76	DRQ1/INT6	Input with 10k pull-up
14	50	$\overline{\text{MCS0}}$	Input with 10k pull-up
15	51	$\overline{\text{MCS1}}$	Input with 10k pull-up
16	66	$\overline{\text{PCS0}}$	Input with 10k pull-up

17	65	$\overline{\text{PCS1}}$	Input with 10k pull-up
18	63	$\overline{\text{PCS2}} / \overline{\text{CTS1}} / \overline{\text{ENRX1}}$	Input with 10k pull-up
19	62	$\overline{\text{PCS3}} / \overline{\text{RTS1}} / \overline{\text{RTR1}}$	Input with 10k pull-up
20	3	$\overline{\text{RTS0}} / \overline{\text{RTR0}}$	Input with 10k pull-up
21	100	$\overline{\text{CTS0}} / \overline{\text{ENRX0}}$	Input with 10k pull-up
22	2	TXD0	Input with 10k pull-down
23	1	RXD0	Input with 10k pull-down
24	68	$\overline{\text{MCS2}}$	Input with 10k pull-up
25	69	$\overline{\text{MCS3}} / \overline{\text{RFSH}}$	Input with 10k pull-up
26	97	$\overline{\text{UZI}}$	Input with 10k pull-up
27	98	TXD1	Input with 10k pull-up
28	99	RXD1	Input with 10k pull-up
29	96	S6/CLKDIV	Input with 10k pull-up
30	52	INT4	Input with 10k pull-up
31	54	INT2	Input with 10k pull-up

PIO Data 1 Register

Offset : 7Ah

Reset Value : —

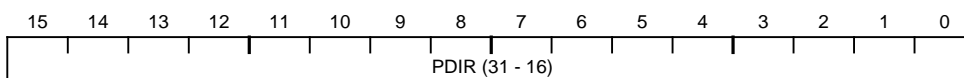

Bit 15- 0: PDATA31-PDATA16, PIO Data Bits.

These bits PDATA31- PDATA16 are mapped to the PIO31 –PIO16 which indicate the driven level when the PIO pin is as an output or reflect the external level when the PIO pin is as an input .

PIO Direction 1 Register

Offset : 78h

Reset Value : FFFFh

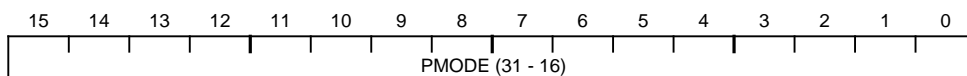

Bit 15-0: PDIR 31- PDIR16, PIO Direction Register.

Set 1: Configure the PIO pin as an input.

Set 0: Configure the PIO pin as an output or as normal pin function.

PIO Mode 1 Register

Offset : 76h
Reset Value : 0000h



Bit 15-0: PMODE31-PMODE16, PIO Mode Bit.

The definitions of the PIO pins are configured by the combination of PIO Mode and PIO Direction. The PIO pins are programmed individually.

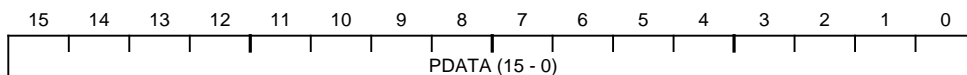
The definition (PIO Mode, PIO Direction) for PIO pin function:

(0 , 0) – Normal operation , (0 , 1) – PIO input with pull-up/pull-down

(1 , 0) – PIO output , (1 , 1) -- PIO input without pull-up/pull-down

PIO Data 0 Register

Offset : 74h
Reset Value : —

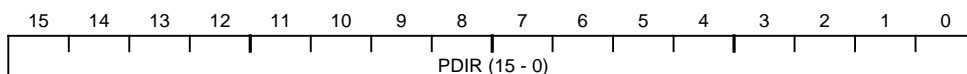


Bit 15-0: PDATA15- PDATA0: PIO Data Bus.

These bits PDATA15- PDATA0 map to the PIO15 –PIO0 which indicate the driven level when the PIO pin is as an output or reflect the external level when the PIO pin is as an input.

PIO Direction 0 Register

Offset : 72h
Reset Value : FFFFh



Bit 15-0: PDIR 15- PDIR0, PIO Direction Register.

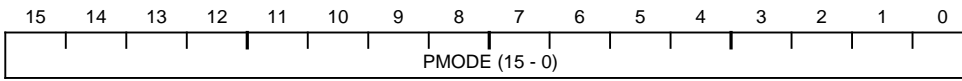
Set 1: Configure the PIO pin as an input.

Set 0: Configure the PIO pin as an output or as normal pin function.

PIO Mode 0 Register

Offset : 70h

Reset Value : 0000h



Bit 15-0: PMODE15-PMODE0, PIO Mode Bit.

20. PSRAM Control Unit

The PSRAM interface is provided by the R8830 and the refresh control unit automatically generates refresh bus cycles. The refresh control unit uses the internal microprocessor clock as an operating source clock. If the power-saved mode is enabled, the refresh control unit must be programmed to reflect the new clock rate. Software is used to program the registers (E0, E2 and E4) to control the refresh control unit operation.

Memory Partition Register

Offset : E0h
Reset Value : 0000h

15	14	13	12	11	10	9	8	7	6	5	4	3	2	1	0
M6 - M0							0	0	0	0	0	0	0	0	0

Bit 15-9: M6-M0, Refresh Base. M6-M0 are mapped to A19-A13 of the 20-bit memory refresh address.

Bit 8-0: Reserved.

Clock Prescaler Register

Offset : E2h
Reset Value : —

15	14	13	12	11	10	9	8	7	6	5	4	3	2	1	0
0	0	0	0	0	0	0	RC8 - RC0								

Bit 15-9: Reserved

Bit 8-0: RC8-RC0, Refresh Counter Reload Value.

Enable RCU Register

Offset : E4h
Reset Value : 0000h

15	14	13	12	11	10	9	8	7	6	5	4	3	2	1	0
E	0	0	0	0	0	0	T8 - T0								

Bit 15: E, Enable RCU.

Set 1: Enable the refresh counter unit

Set 0: Disable the refresh counter unit.

Bit 14-9: Reserved

Bit 8-0: T8-T0, Refresh Count. Read only bits and these bits present the value of the down counter which triggers refresh requests.

21. Instruction Set OPCODEs and Clock Cycles

Function	Format	Clocks	Notes
DATA TRANSFER INSTRUCTIONS			
MOV = Move			
register to register/memory	1000100w mod reg r/m	1/1	
register/memory to register	1000101w mod reg r/m	1/6	
immediate to register/memory	1100011w mod 000 r/m	1/1	data data if w=1
immediate to register	1011w reg	1	data data if w=1
memory to accumulator	1010000w	6	addr-low addr-high
accumulator to memory	1010001w	1	addr-low addr-high
register/memory to segment register	10001110 mod 0 reg r/m	3/8	
segment register to register/memory	10001100 mod 0 reg r/m	2/2	
PUSH = Push			
memory	11111111 mod 110 r/m	8	
register	01010 reg	3	
segment register	000reg110	2	
immediate	011010s0	1	data data if s=0
POP = Pop			
memory	10001111 mod 000 r/m	8	
register	01011 reg	6	
segment register	000 reg 111 (reg 01)	8	
PUSHA = Push all	01100000	36	
POPA = Pop all	01100001	44	
XCHG = Exchange			
register/memory	1000011w mod reg r/m	3/8	
register with accumulator	10010 reg	3	
XTAL = Translate byte to AL	11010111	10	
IN = Input from			
fixed port	1110010w	12	port
variable port	1110110w	12	
OUT = Output from			
fixed port	1110010w	12	port
variable port	1110110w	12	
LEA = Load EA to register	10001101 mod reg r/m	1	
LDS = Load pointer to DS	11000101 mod reg r/m	14	(mod 11)
LES = Load pointer to ES	11000100 mod reg r/m	14	(mod 11)
ENTER = Build stack frame			
L = 0	11001000	7	data-low data-high L
L = 1		11	
L > 1		11+10(L-1)	
LEAVE = Tear down stack frame	11001001	7	
LAHF = Load AH with flags	10011111	2	
SAHF = Store AH into flags	10011110	2	
PUSHF = Push flags	10011100	2	
POPF = Pop flags	10011101	11	
ARITHMETIC INSTRUCTIONS			
ADD = Add			

reg/memory with register to either	00000dw	mod reg r/m			1/7	
immediate to register/memory	10000sw	mod 000 r/m	data	data if sw=01	1/8	
immediate to accumulator	0000010w	data	data if w=1		1	
Function	Format				Clocks	Notes
ADC = Add with carry						
reg/memory with register to either	000100dw	mod reg r/m			1/7	
immediate to register/memory	10000sw	mod 010 r/m	data	data if sw=01	1/8	
immediate to accumulator	0001010w	data	data if w=1		1	
INC = Increment						
register/memory	111111w	mod 000 r/m			1/8	
register	01000 reg				1	
SUB = Subtract						
reg/memory with register to either	001010dw	mod reg r/m			1/7	
immediate from register/memory	10000sw	mod 101 r/m	data	data if sw=01	1/8	
immediate from accumulator	0001110w	data	data if w=1		1	
SBB = Subtract with borrow						
reg/memory with register to either	000110dw	mod reg r/m			1/7	
immediate from register/memory	10000sw	mod 011 r/m			1/8	
immediate from accumulator	0001110w	data	data if w=1		1	
DEC = Decrement						
register/memory	111111w	mod 001 r/m			1/8	
register	01001 reg				1	
NEG = Change sign						
register/memory	1111011w	mod reg r/m			1/8	
CMP = Compare						
register/memory with register	0011101w	mod reg r/m			1/7	
register with register/memory	0011100w	mod reg r/m			1/7	
immediate with register/memory	10000sw	mod 111 r/m	data	data if sw=01	1/7	
immediate with accumulator	0011110w	data	data if w=1		1	
MUL = multiply (unsigned)						
register-byte	1111011w	mod 100 r/m			13	
register-word					21	
memory-byte					18	
memory-word					26	
IMUL = Integer multiply (signed)						
register-byte	1111011w	mod 101 r/m			16	
register-word					24	
memory-byte					21	
memory-word					29	
register/memory multiply immediate (signed)	011010s1	mod reg r/m	data	data if s=0	23/28	
DIV = Divide (unsigned)						
register-byte	1111011W	mod 110 r/m			18	
register-word					26	
memory-byte					23	
memory-word					31	
IDIV = Integer divide (signed)						
register-byte	1111011w	mod 111 r/m			18	
register-word					26	
memory-byte					23	
memory-word					31	
AAS = ASCII adjust for subtraction	00111111				3	
DAS = Decimal adjust for subtraction	00101111				2	
AAA = ASCII adjust for addition	00110111				3	
DAA = Decimal adjust for addition	00100111				2	
AAD = ASCII adjust for divide	11010101	00001010			14	
AAM = ASCII adjust for multiply	11010100	00001010			15	
CBW = Corrvvert byte to word	10011000				2	
CWD = Convert word to double-word	10011001				2	

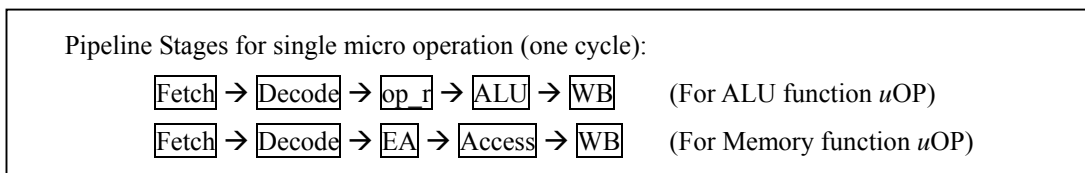
Function	Format	Clocks	Notes
BIT MANIPULATION INSTRUCTUIONS			
NOT = Invert register/memory	1111011w mod 010 r/m	1/7	
AND = And reg/memory and register to either immediate to register/memory immediate to accumulator	001000dw mod reg r/m 1000000w mod 100 r/m data data if w=1 0010010w data data if w=1	1/7 1/8 1	
OR = Or reg/memory and register to either immediate to register/memory immediate to accumulator	000010dw mod reg r/m 1000000w mod 001 r/m data data if w=1 0000110w data data if w=1	1/7 1/8 1	
XOR = Exclusive or reg/memory and register to either immediate to register/memory immediate to accumulator	001100dw mod reg r/m 1000000w mod 110 r/m data data if w=1 0011010w data data if w=1	1/7 1/8 1	
TEST = And function to flags , no result register/memory and register immediate data and register/memory immediate data and accumulator	1000010w mod reg r/m 1111011w mod 000 r/m data data if w=1 1010100w data data if w=1	1/7 1/8 1	
Sifts/Rotates register/memory by 1 register/memory by CL register/memory by Count	1101000w mod TTT r/m 1101001w mod TTT r/m 1100000w mod TTT r/m count	2/8 1+n / 7+n 1+n / 7+n	
STRING MANIPULATION INSTRUCTIONS			
MOVS = Move byte/word	1010010w	13	
INS = Input byte/word from DX port	0110110w	13	
OUTS = Output byte/word to DX port	0110111w	13	
CMPS = Compare byte/word	1010011w	18	
SCAS = Scan byte/word	101011w	13	
LODS = Load byte/word to AL/AX	1010110w	13	
STOS = Store byte/word from AL/AX	1010101w	7	
Repeated by count in CX:			
MOVS = Move byte/word	11110010 1010010w	4+9n	
INS = Input byte/word from DX port	11110010 0110110w	5+9n	
OUTS = Output byte/word to DX port	11110010 0110111w	5+9n	
CMPS = Compare byte/word	1111011z 1010011w	4+18n	
SCAS = Scan byte/word	1111001z 1010111w	4+13n	
LODS = Load byte/word to AL/AX	11110010 0101001w	3+9n	
STOS = Store byte/word from AL/AX	11110100 0101001w	4+3n	
PROGRAM TRANSFER INSTRUCTIONS			
Conditional Transfers — jump if:			
JE/JZ = equal/zero	01110100 disp	1/9	
JL/JNGE = less/not greater or equal	01111100 disp	1/9	
JLE/JNG = less or equal/not greater	01111110 disp	1/9	
JC/JB/JNAE = carry/below/not above or equal	01110010 disp	1/9	
JBE/JNA = below or equal/not above	01110110 disp	1/9	
JP/JPE = parity/parity even	01111010 disp	1/9	
JO = overflow	01110000 disp	1/9	
JS = sign	01111000 disp	1/9	
JNE/JNZ = not equal/not zero	01110101 disp	1/9	
JNL/JGE = not less/greater or equal	01111101 disp	1/9	
JNLE/JG = not less or equal/greater	01111111 disp	1/9	
JNC/JNB/JAE = not carry/not below /above or equal	01110011 disp	1/9	
JNBE/JA = not below or equal/above	01110111 disp	1/9	

Function	Format	Clocks	Notes
JNP/JPO = not parity/parity odd	01111011 disp	1/9	
JNO = not overflow	01110001 disp	1/9	
JNS = not sign	01111001 disp	1/9	
Unconditional Transfers			
CALL = Call procedure			
direct within segment	11101000 disp-low disp-high	11	
reg/memory indirect within segment	11111111 mod 010 r/m	12/17	
indirect intersegment	11111111 mod 011 r/m (mod 11)	25	
direct intersegment	10011010 segment offset selector	18	
RET = Return from procedure			
within segment	11000011	16	
within segment adding immed to SP	11000010 data-low data-high	16	
intersegment	11001011	23	
intersegment adding immed to SP	1001010 data-low data-high	23	
JMP = Unconditional jump			
short/long	11101011 disp-low	9/9	
direct within segment	11101001 disp-low disp-high	9	
reg/memory indirect within segment	11111111 mod 100 r/m	11/16	
indirect intersegment	11111111 mod 101 r/m (mod ?11)	18	
direct intersegment	11101010 segment offset selector	11	
Iteration Control			
LOOP = Loop CX times	11100010 disp	7/16	
LOOPZ/LOOPE = Loop while zero/equal	11100001 disp	7/16	
LOOPNZ/LOOPNE = Loop while not zero/equal	11100000 disp	7/16	
JCXZ = Jump if CX = zero	11100011 disp	7/15	
Interrupt			
INT = Interrupt			
Type specified	11001101 type	41	
Type 3	11001100	41	
INTO = Interrupt on overflow	11001110	43/4	
BOUND = Detect value out of range	01100010 mod reg r/m	21-60	
IRET = Interrupt return	11001111	31	
PROCESSOR CONTROL INSTRUCTIONS			
CLC = clear carry	11111000	2	
CMC = Complement carry	11110101	2	
STC = Set carry	11111001	2	
CLD = Clear direction	11111100	2	
STD = Set direction	11111101	2	
CLI = Clear interrupt	11111010	5	
STI = Set interrupt	11111011	5	
HLT = Halt	11110100	1	
WAIT = Wait	10011011	1	
LOCK = Bus lock prefix	11110000	1	
ESC = Math coprocessor escape	11011MMM mod PPP r/m	1	
NOP = No operation	10010000	1	
SEGMENT OVERRIDE PREFIX			
CS	00101110	2	
SS	00110110	2	
DS	00111110	2	
ES	00100110	2	

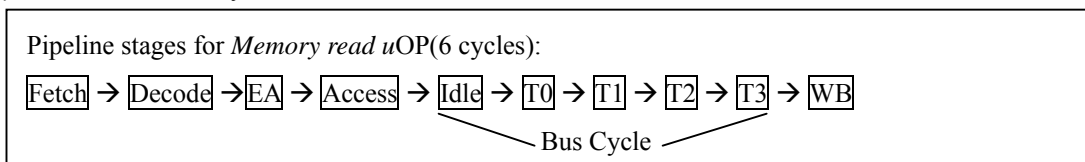
22. R8830 Execution Timings

The above instruction timings represent the minimum execution time in clock cycles for each instruction. The timings given are based on the following assumptions:

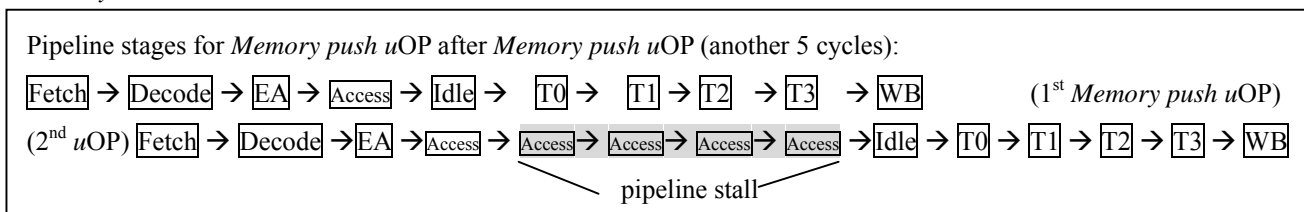
1. The opcode, along with data or displacement required for execution, has been pre-fetched and resides in the instruction queue at the time is needed.
2. No wait states or bus HOLDS occur.
3. All word-data is located on even-address boundaries.
4. One RISC micro operation (*uOP*) maps one cycle (according to the pipeline stages described below), except the following case:



4.1 *Memory read uOP* needs 6 cycles for bus.

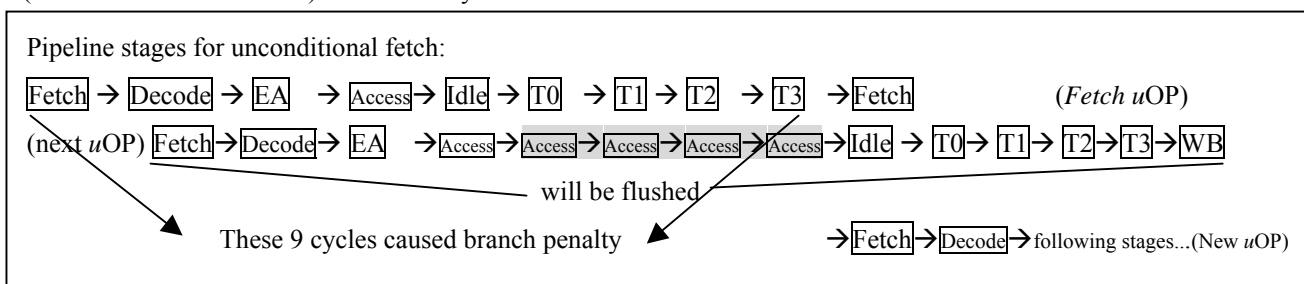


4.2 *Memory push uOP* needs 1 cycle if it has no previous *Memory push uOP*, and 5 cycles if it has previous *Memory push* or *Memory Write uOP*.



4.3 *MUL uOP* and *DIV* of ALU function *uOP* for 8-bit operation needs both 8 cycles, for 16-bit operation needs both 16 cycles.

4.4 All jumps, calls, ret and loopXX instructions required to fetch the next instruction for the destination address (*Unconditional Fetch uOP*) will need 9 cycles.



Note: op_r: operand read stage, EA: Calculate Effective Address stage, Idle: Bus Idle stage, T0..T3: Bus T0..T3 stage, Access: Access data from cache memory stage.

23. DC Characteristics

23.1 Absolute Maximum Rating

Symbol	Rating	Commercial	Unit	Note
V_{Term}	Terminal Voltage with Respect to GND	$-0.5 \sim V_{CC} + 0.5$	V	
T_A	Ambient Temperature	$0 \sim +70$	°C	

23.2 Recommended DC Operating Conditions

Symbol	Parameter	Min.	Typ.	Max.	Unit
V_{CC}	Supply Voltage	4.75	5	5.25	V
GND	Ground	0	0	0	V
V_{ih}	Input High Voltage (<i>Note 1</i>)	2.0	---	$V_{CC} + 0.5$	V
V_{ih1}	Input High Voltage (\overline{RST})	3	---	$V_{CC} + 0.5$	V
V_{ih2}	Input High Voltage (X1)	3	---	$V_{CC} + 0.5$	V
V_{il}	Input Low voltage	-0.5	0	0.8	V

Note 1: The \overline{RST} and X1 pins are not included.

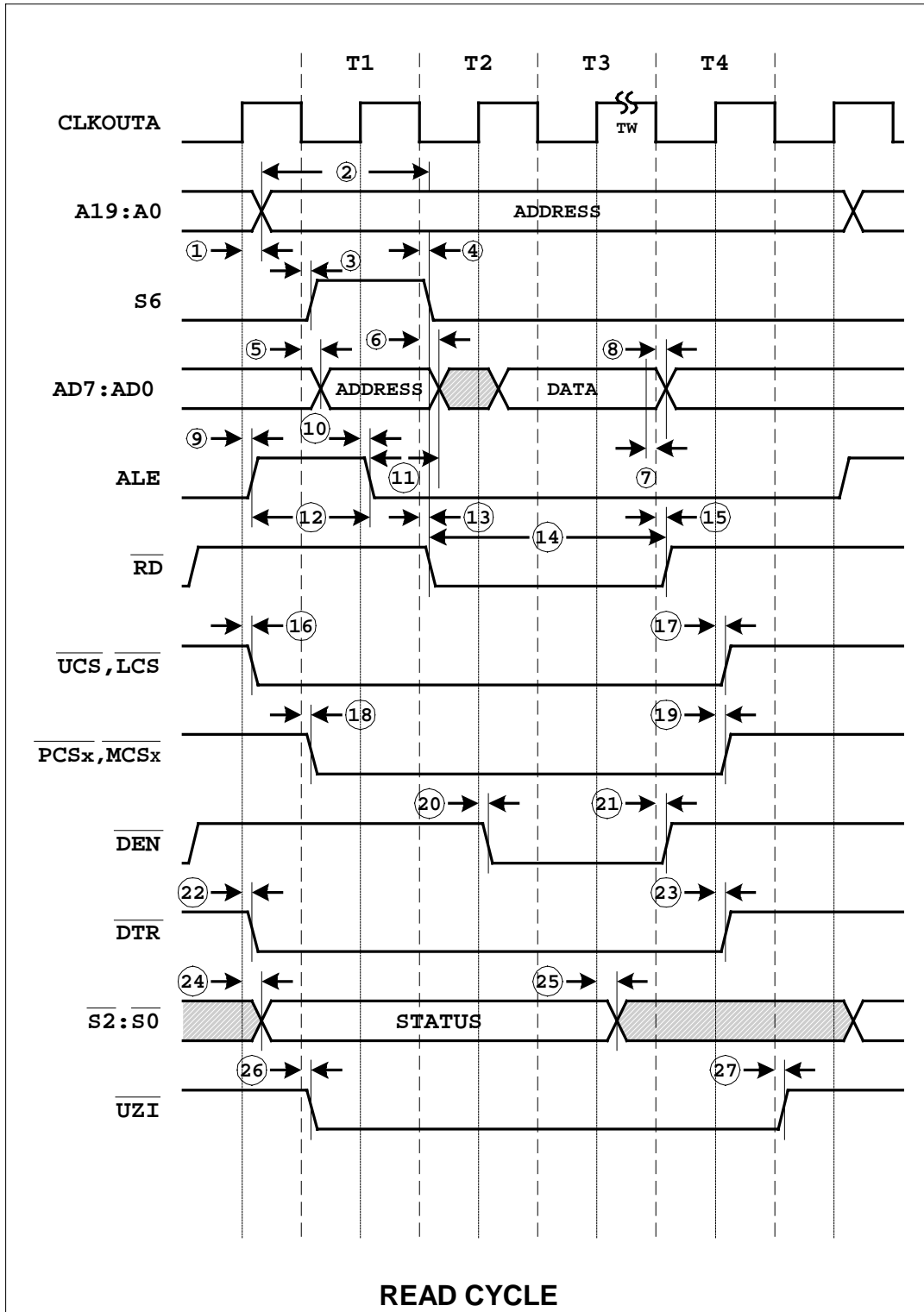
23.3 DC Electrical Characteristics

Symbol	Parameter	Test Condition	Min	Max	Unit
I_{li}	Input Leakage Current	$V_{CC} = V_{max}$ $V_{in} = GND \text{ to } V_{max}$	-10	10	uA
I_{li} (with 10K pull R)	Input Leakage Current With Pull R 10K enable	$V_{CC} = V_{max}$ $V_{in} = GND \text{ to } V_{max}$	-400	400	uA
I_{li} (with 50K pull R)	Input Leakage Current With Pull R 50K	$V_{CC} = V_{max}$ $V_{in} = GND \text{ to } V_{max}$	-120	120	uA
I_{lo}	Output Leakage Current	$V_{CC} = V_{max}$ $V_{in} = GND \text{ to } V_{max}$	-10	10	uA
VOL	Output Low Voltage	$I_{ol} = 6mA$, $V_{CC} = V_{min}$.	---	0.4	V
VOH	Output High Voltage	$I_{oh} = -6mA$, $V_{CC} = V_{min}$.	2.4	---	V
I_{CC}	Max Operating Current	$V_{CC} = 5.25V$ 40MHz	---	180	mA

Note 2: $V_{max} = 5.25V$ $V_{min} = 4.75V$

Symbol	Parameter	Min.	Max.	Unit	Note
F_{Max}	Max operation clock frequency of commercial	---	40	Mhz	$V_{CC} \pm 5\%$

24. AC Characteristics

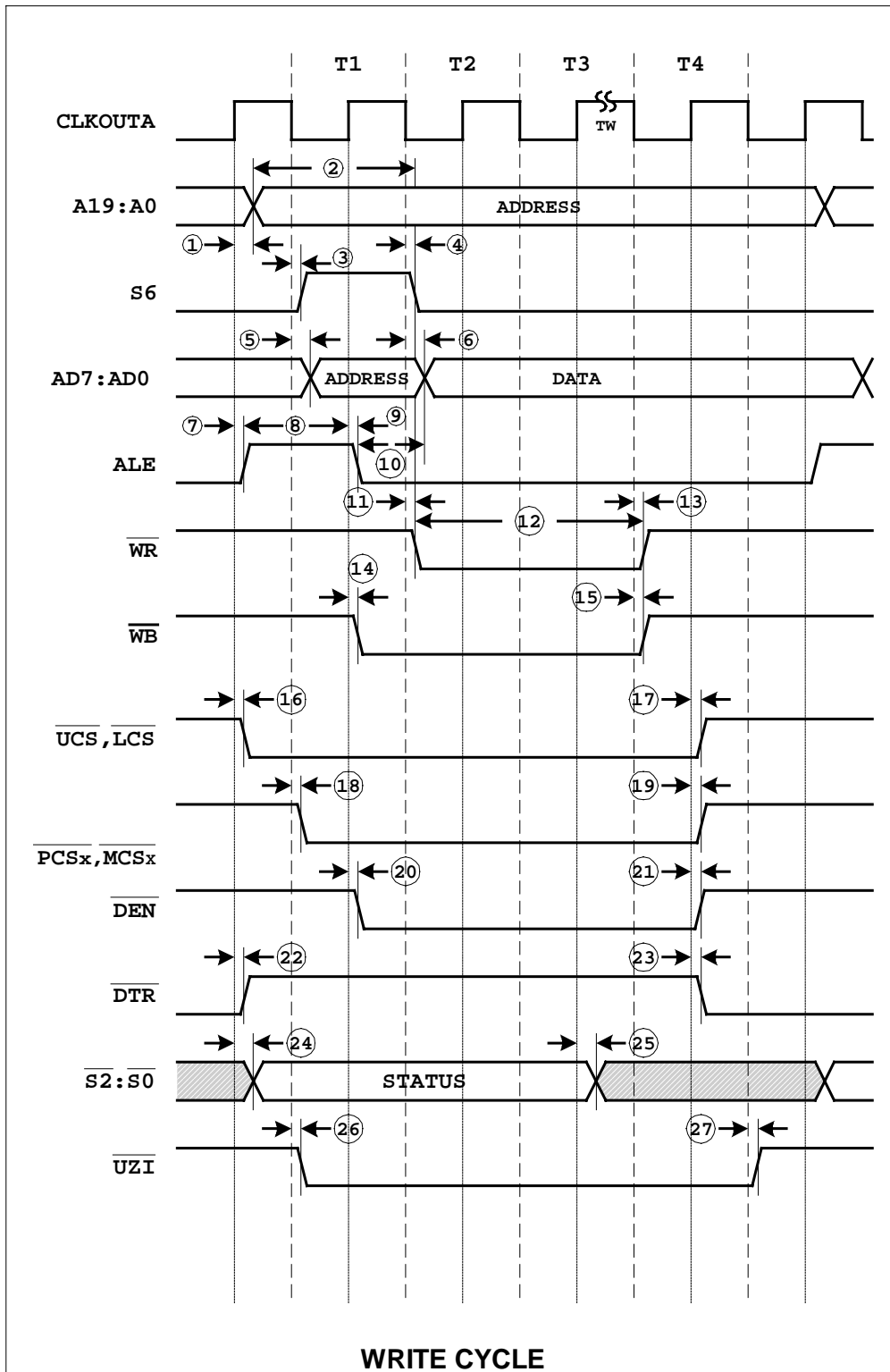


No.	Description	MIN	MAX	Unit
1	CLKOUTA high to A Address Valid	0	12	ns
2	A address valid to \overline{RD} low	1.5T-9		ns
3	S6 active delay	0	15	ns
4	S6 inactive delay	0	15	ns
5	AD address Valid Delay	0	12	ns
6	Address Hold	0	12	ns
7	Data in setup	5		ns
8	Data in Hold	2		ns
9	ALE active delay	0	12	ns
10	ALE inactive delay	0	12	ns
11	Address Valid after ALE inactive	T/2-5		ns
12	ALE width	T-5		ns
13	\overline{RD} active delay	0	12	ns
14	\overline{RD} Pulse Width	2T-10		ns
15	\overline{RD} inactive delay	0	12	ns
16	CLKOUTA HIGH to $\overline{LCS}/\overline{UCS}$ valid	0	15	ns
17	$\overline{UCS}/\overline{LCS}$ inactive delay	0	15	ns
18	$\overline{PCS}/\overline{MCS}$ active delay	0	15	ns
19	$\overline{PCS}/\overline{MCS}$ inactive delay	0	15	ns
20	\overline{DEN} active delay	0	15	ns
21	\overline{DEN} inactive delay	0	15	ns
22	DTR active delay	0	15	ns
23	DTR inactive delay	0	15	ns
24	Status active delay	0	15	ns
25	Status inactive delay	0	15	ns
26	\overline{UZI} active delay	0	15	ns
27	\overline{UZI} inactive delay	0	15	ns

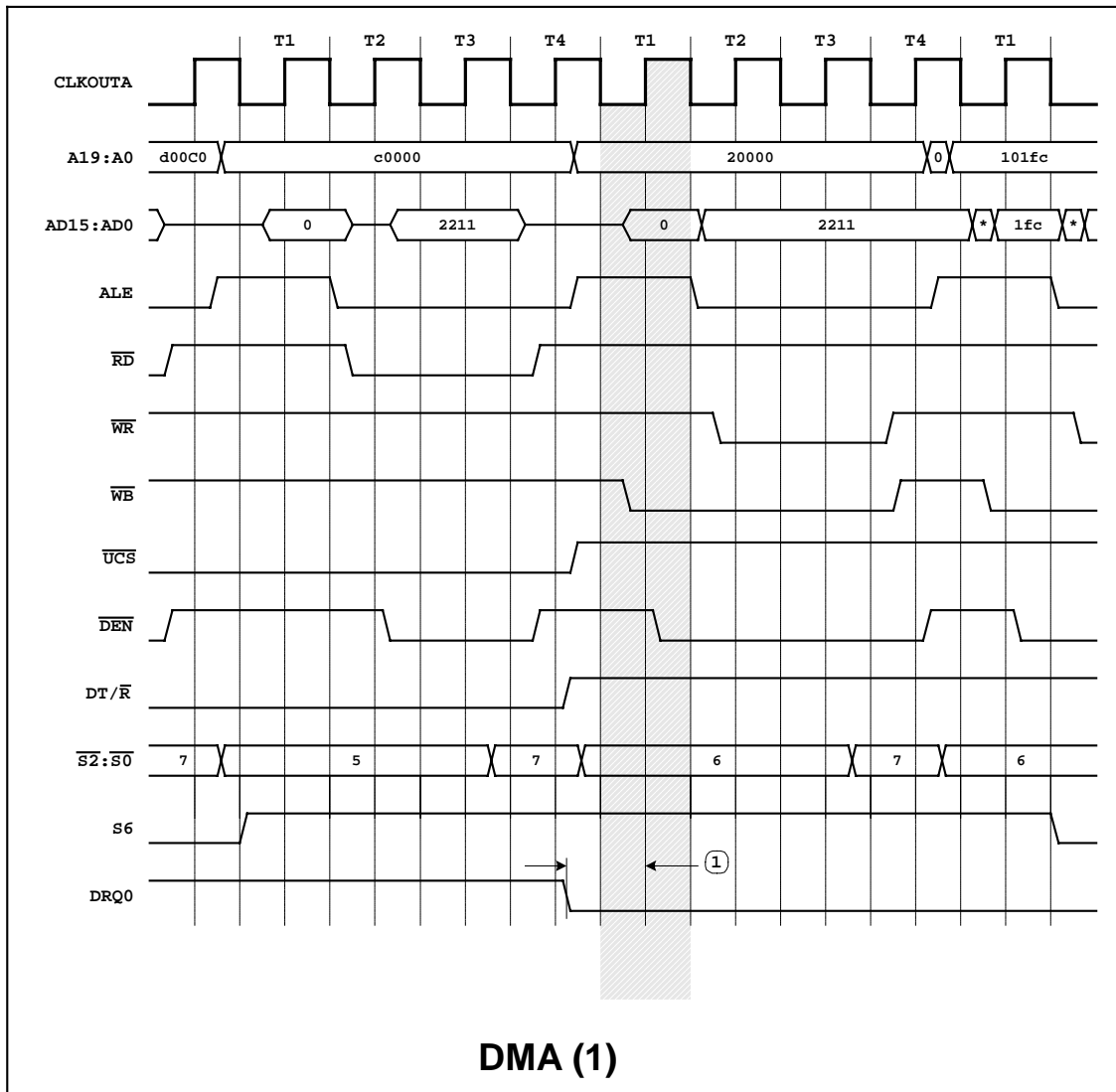
1. T means a clock period time

2. All timing parameters are measured at 1.5V with 50 PF loading on CLKOUTA

All output test conditions are with CL=50 pF

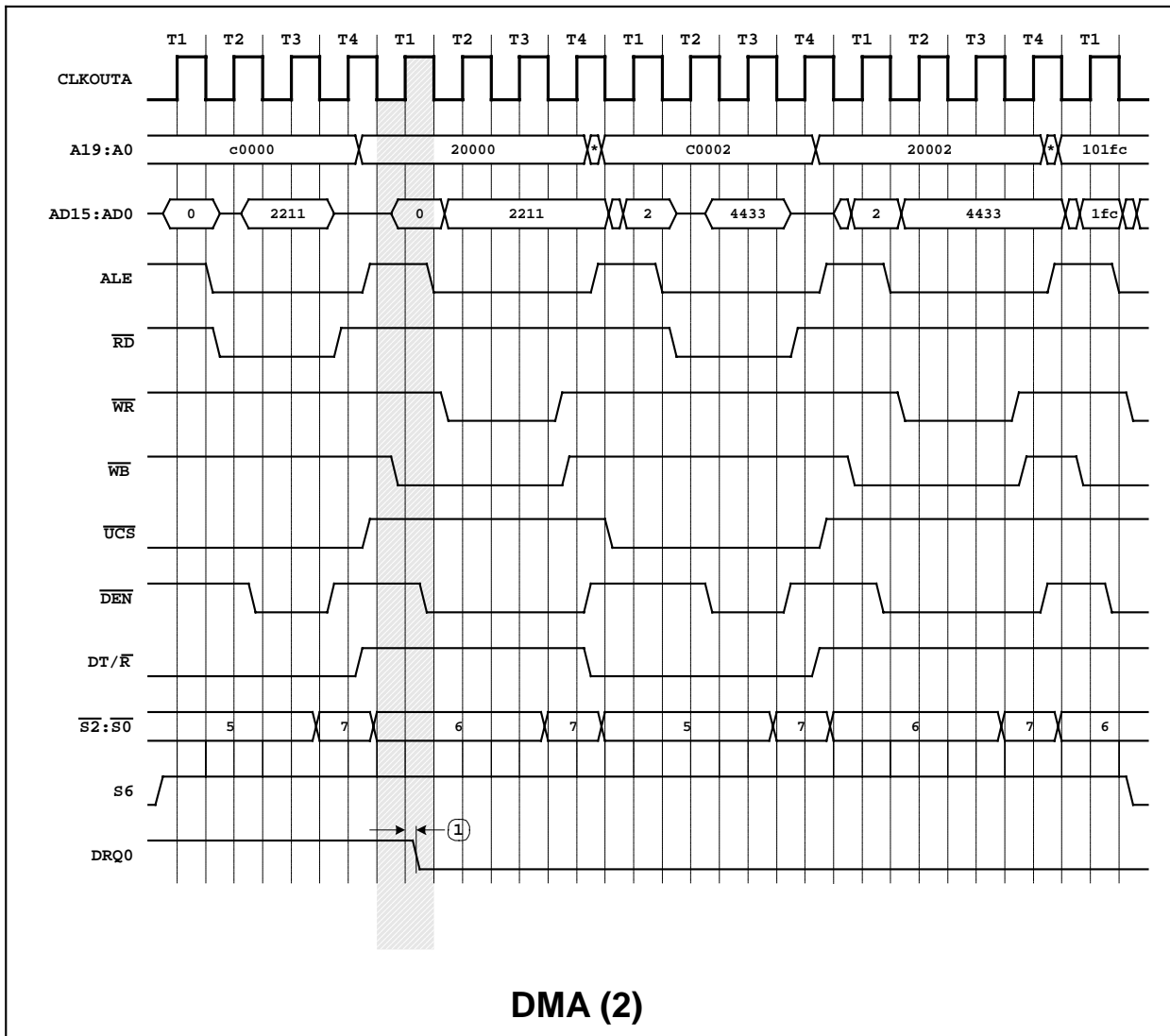


No.	Description	MIN	MAX	Unit
1	CLKOUTA high to A Address Valid	0	12	ns
2	A address valid to \overline{WR} low	1.5T-9		ns
3	S6 active delay	0	15	ns
4	S6 inactive delay	0	15	ns
5	AD address Valid Delay	0	12	ns
6	Address Hold			ns
7	ALE active delay	0	12	ns
8	ALE width	T-10		ns
9	ALE inactive delay	0	12	ns
10	Address valid after ALE inactive	1/2T-5		ns
11	\overline{WR} active delay	0	12	ns
12	\overline{WR} pulse width	2T-10		ns
13	\overline{WR} inactive delay	0	12	ns
14	\overline{WB} active delay	0	15	ns
15	\overline{WB} inactive delay	0	15	ns
16	CLKOUTA high to $\overline{UCS}/\overline{LCS}$ valid	0	15	ns
17	$\overline{UCS}/\overline{LCS}$ inactive delay	0	15	ns
18	$\overline{PCS}/\overline{MCS}$ active delay	0	15	ns
19	$\overline{PCS}/\overline{MCS}$ inactive delay	0	15	ns
20	\overline{DEN} active delay	0	15	ns
21	\overline{DEN} inactive delay	0	15	ns
22	\overline{DTR} active delay	0	15	ns
23	\overline{DTR} inactive delay	0	15	ns
24	Status active delay	0	15	ns
25	Status inactive delay	0	15	ns
26	\overline{UZI} active delay	0	15	ns
27	\overline{UZI} inactive delay	0	15	ns



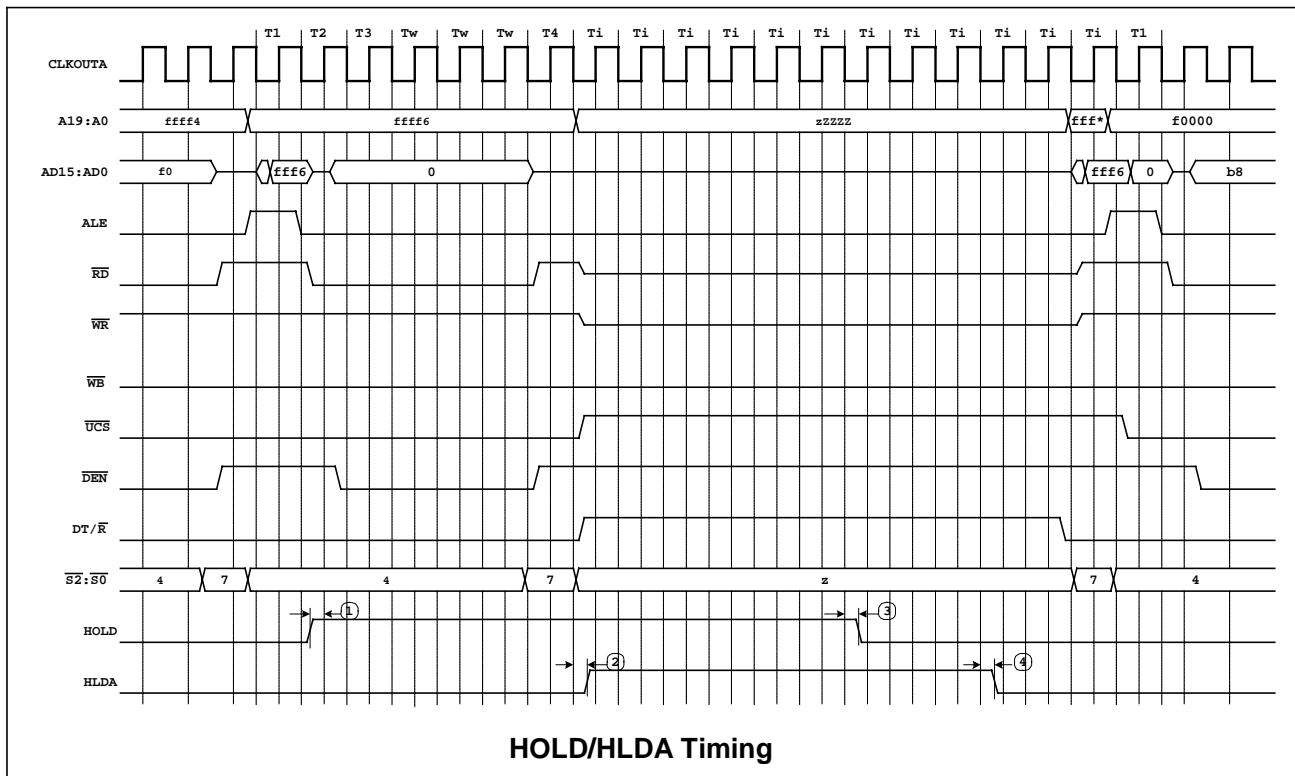
* The source-synchronized transfer is not followed immediately by another DMA transfer

No.	Description	MIN	MAX	Unit
1	DRQ is confirmed time	5		ns

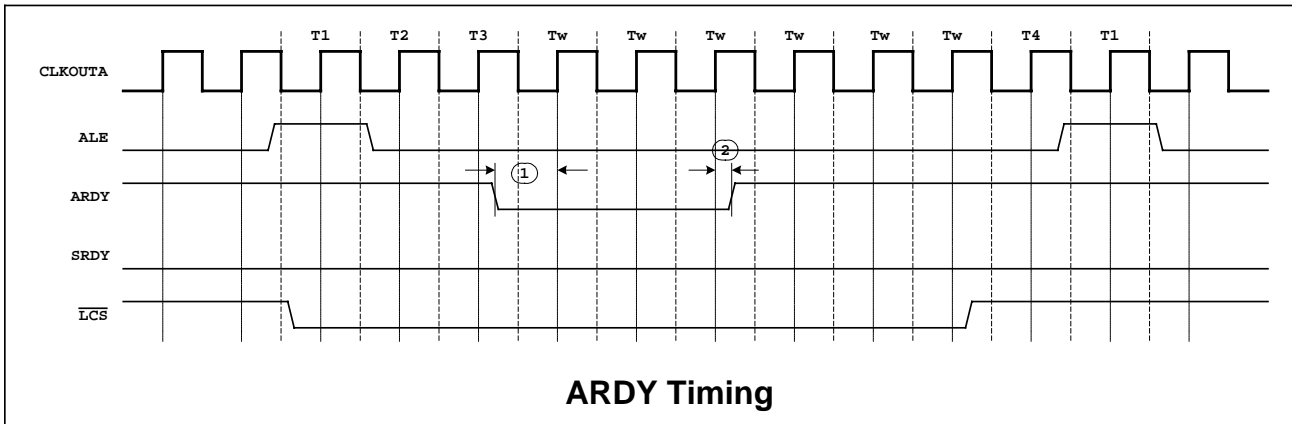


* The source-synchronized transfer is followed immediately by another DMA transfer

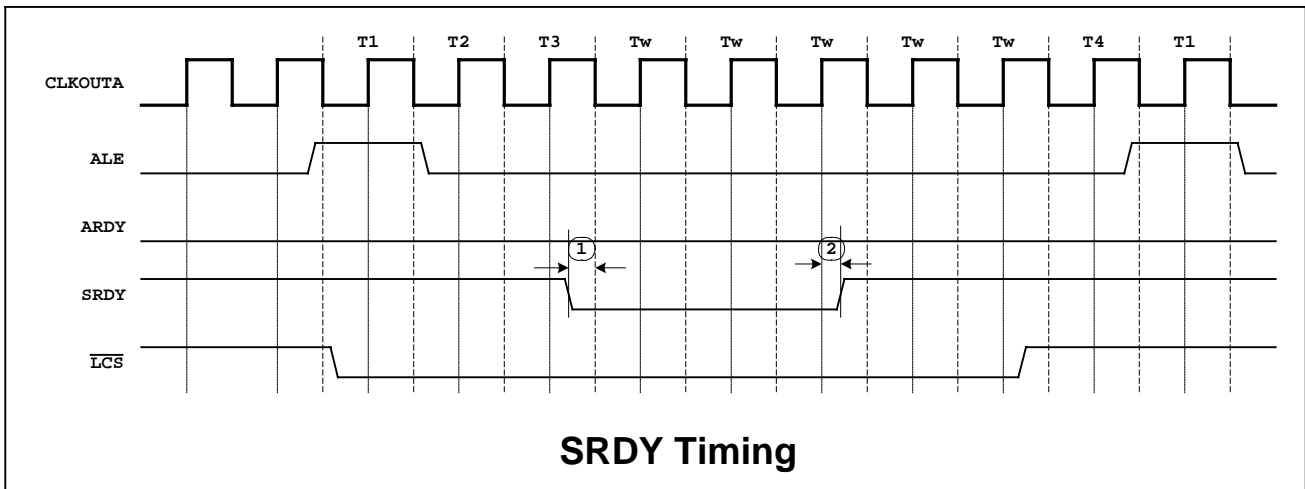
No.	Description	MIN	MAX	Unit
1	DRQ is confirmed time	2	0	ns



No.	Description	MIN	MAX	Unit
1	HOLD setup time	5	0	ns
2	HLDA Valid Delay	0	15	ns
3	HOLD hold time	2	0	ns
4	HLDA Valid Delay	0	15	ns



No.	Description	MIN	MAX	Unit
1	ARDY Resolution Transition setup time	5	0	ns
2	ARDY active hold time	5	0	ns



No.	Description	MIN	MAX	Unit
1	SRDY transition setup time	5	0	ns
2	SRDY transition hold time	5	0	ns

25. Thermal Characteristics

θ_{JA} : thermal resistance from device junction to ambient temperature

P: operation power

T_A : maximum ambient temperature in operation mode

$$T_A = T_J - (P \times \theta_{JA})$$

Package/Board	Air Flow (m/s)	θ_{JA}
PQFP/2-Layer	0	48.8
	1	44.9
	2	42.7
	3	41.9
LQFP/2-Layer	0	53.6
	1	48.9
	2	45.5
	3	44.5
PQFP/4-Layer	0	38.9
	1	35.7
	2	33.8
	3	33.3
LQFP/4-Layer	0	42.6
	1	38.0
	2	36.1
	3	35.3

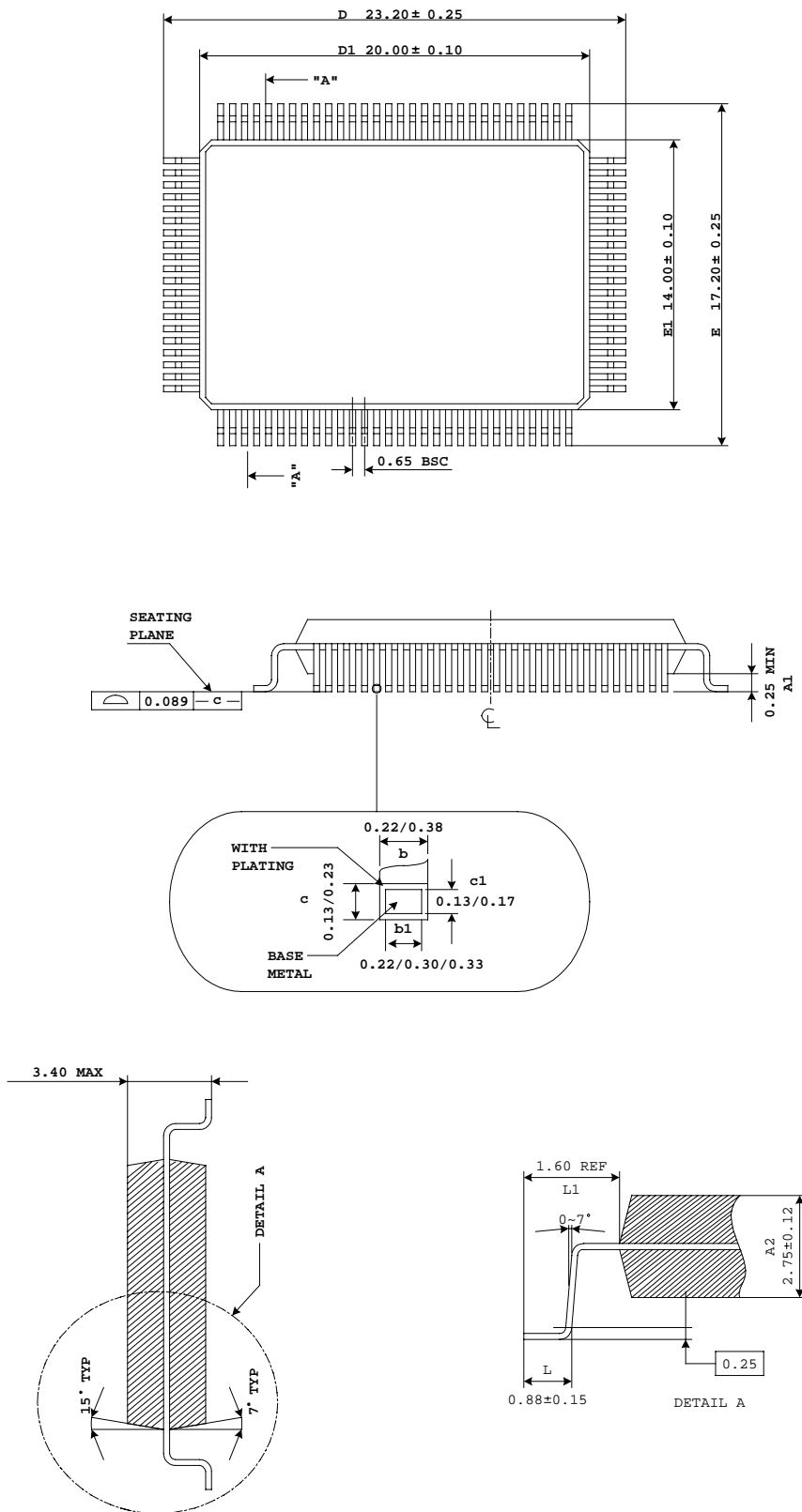
Unit: °C/Watt

Recommended Storage Temperature: -65°C to +125°C

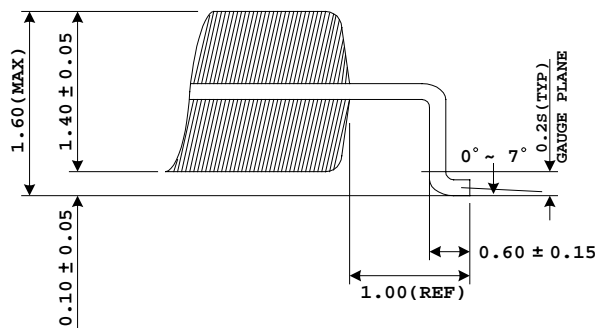
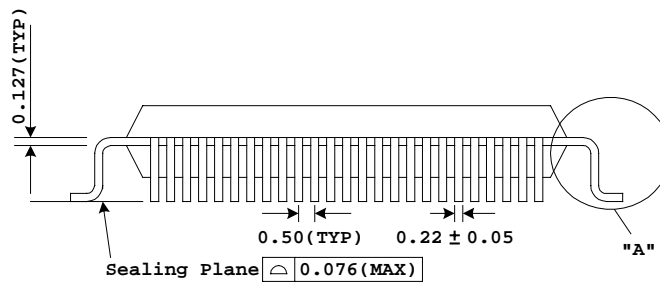
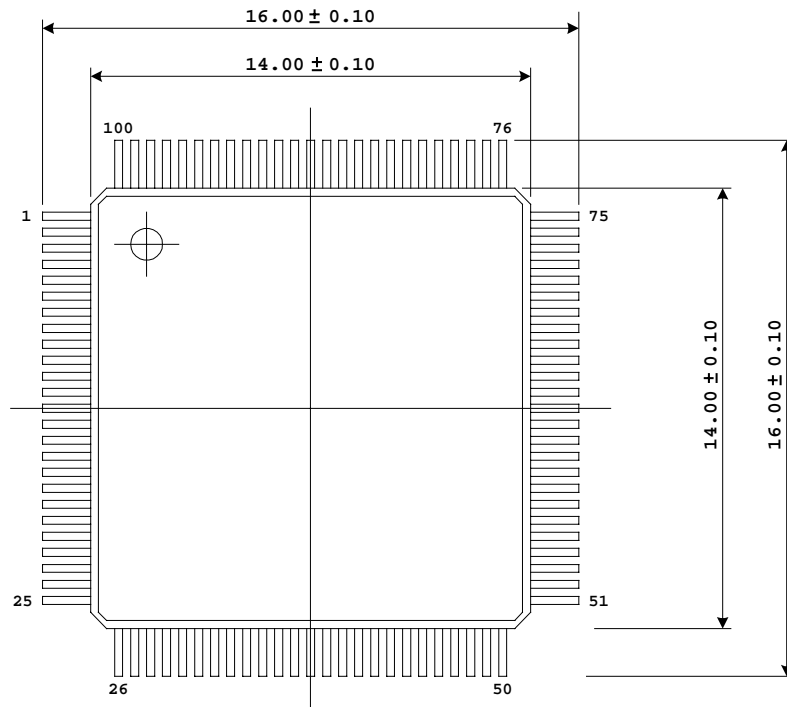
Note: The IC should be mounted on PCB within 7 days after the dry pack is opened. If the IC is out of dry pack more than 7 days, it should be burned in oven (+125°C, > 12 hours) before mounted on PCB.

26. Package Information

26.1 PQFP



26.2 LQFP



UNIT : mm

27. Revision History

Rev.	Date	History
P01	2000/3/8	Preliminary release Version 0.1
F10	2000/7/31	Formal release Version 1.0
F11	2000/9/1	Adding the pin configuration & package information for LQFP package.
F12	2000/9/22	Modify the Serial Port 0 Baud Rate Divisor Register in page 73
F13	2001/02/22	Adding the AC/DC Characteristics.
F14	2001/3/13	Add PQFP and LQFP Pin-Out Table
F15	2001/8/8	Modify Wait-State Description (P.27)
F16	2001/11/30	DC Characteristics
F17	2001/12/25	Modify Oscillator Characteristics
F18	2002/05/08	Modify Wait-State Description
F19	2004/01/05	1. Modify DC Characteristics. 2. Add Chapters of Power Save & Power Down and Thermal Characteristics.