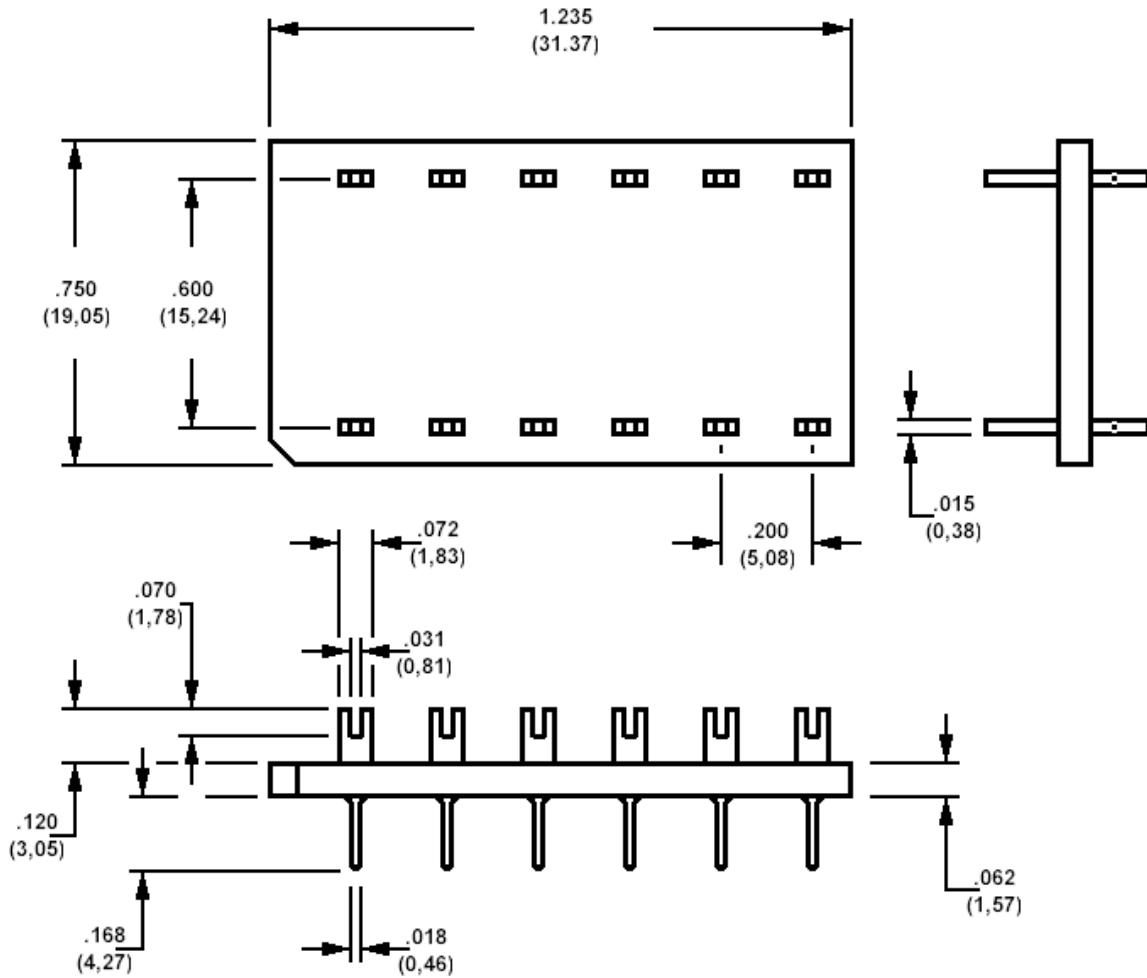


702-3732 Component Mounting Board, 12 pin, pitch, 0.2" (5,08) x 0.6" (15,24)



How to order code
702-3732-01-XX-00
 Basic Part No XX = Plating Finish

MATERIALS			
Component	Material	Finish (XX)	
Terminal (Part # 460-2435-01-XX-00)	Phosphor Bronze	-03 Gold	-04 Electro Tin
Board	Glass Epoxy	-	-

FEATURES
Fibre board body for temperature withstanding during soldering
Notched corner to identify Pin