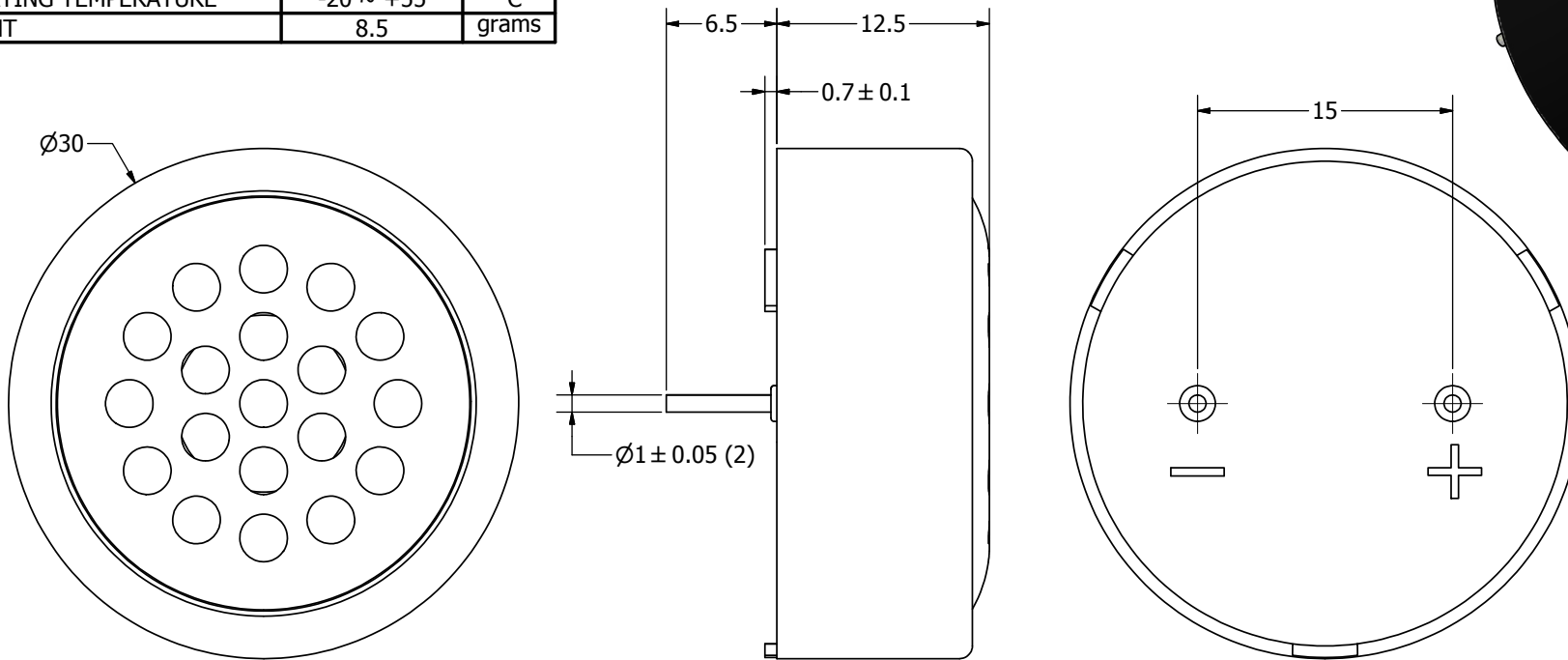


SPECIFICATIONS		
PARAMETERS	VALUES	UNITS
RATED INPUT POWER	0.1	W
MAX INPUT POWER	0.2	W
IMPEDANCE	32 ± 20%	OHM
OUTPUT SPL @ 0.1W/0.1M (AT 2.0, 2.5, 3.0, 4.0 kHz)	81 ± 3	dBa
DISTORTION (MAX.)	5%	-
RESONANT FREQUENCY	1,200 ± 20%	Hz
FREQUENCY RANGE	1200 ~ 20,000	Hz
HOUSING MATERIAL	PBT	-
CONE MATERIAL	MYLAR	-
MAGNET MATERIAL	Nd-Fe-B	-
OPERATING TEMPERATURE	-20 ~ +55	°C
WEIGHT	8.5	grams

THIS DOCUMENT CONTAINS DATA PROPRIETARY TO PROJECTS UNLIMITED, INC. ANY USE OR REPRODUCTION, IN ANY FORM, WITHOUT PRIOR WRITTEN PERMISSION OF PROJECTS UNLIMITED, INC. IS PROHIBITED.
©2003, Projects Unlimited Inc.

REVISION HISTORY			
LTR	DESCRIPTION	DATE	APPROVED
-	RELEASED FROM ENGINEERING	5/17/2006	
A	REVISED PART DIMENSION	3/19/2007	D.F.
B	REVISED TO INVENTOR 3-D DRAWING TEMPLATE	10/24/2008	B.R.



NOTES:

1. ALL DIMENSIONS ARE IN MILLIMETERS.
2. SPECIFICATIONS SUBJECT TO CHANGE OR WITHDRAWAL WITHOUT NOTICE.
3. THIS PART IS RoHS 2002/95/EC COMPLIANT.

UNLESS OTHERWISE SPECIFIED: DIMENSIONS ARE IN MILLIMETERS, TOLERANCES ARE ±0.5 AND ANGLES ARE ±3°.	SIZE	Designed by	Date	Checked by	Date	Approved by	Date	Drawn Date
	A3	J.D.	5/17/2006	E.P.	5/17/2006	B.R.	5/17/2006	10/24/2008
		AST-03032MR-R						AST-03032MR-R
AST-03032MR-R.idw	 A Division of Projects Unlimited		Speaker		Edition	Sheet		
					-	1 / 1		