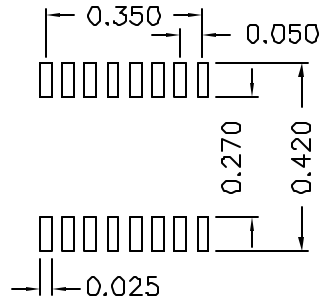
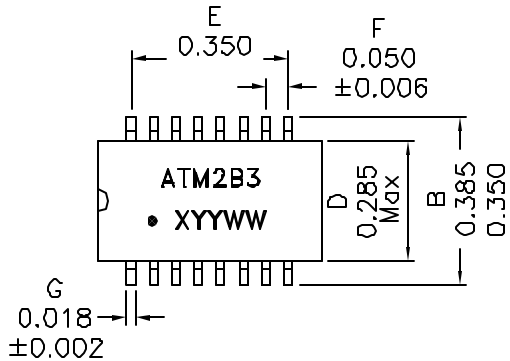
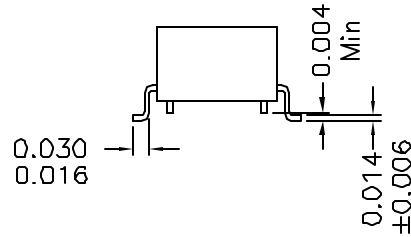
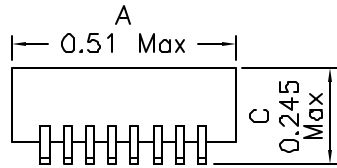


1. Dimensions:



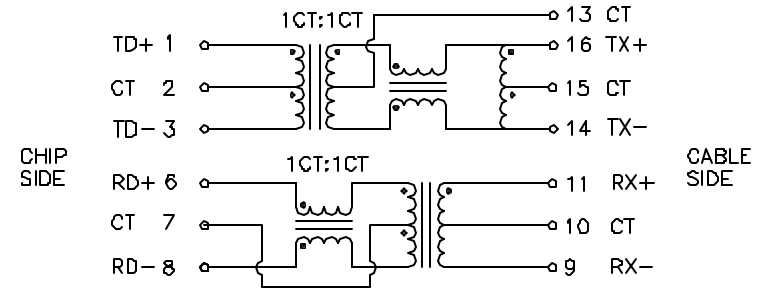
SUGGESTED FOOTPRINT

Notes:

- Solderability: Leads shall meet MIL-STD-202G, Method 208H for solderability.
- Flammability: UL94V-0
- ASTM oxygen Index: > 28%
- Insulation System: Class F 155°C. UL file E151556
- Operating Temperature Range: All listed parameters are to be within tolerance from -40°C to +85°C
- Storage Temperature Range: -55°C to +125°C
- Aqueous wash compatible
- SMD Lead Coplanarity: ±0.004"(0.102mm)
- Electrical and mechanical specifications 100% tested
- RoHS Compliant Component

DOC. REV. A/4

2. Schematic:



3. Electrical Specifications: @25°C

Isolation Voltage: 1500 Vrms (Input to Output)

CHIP SIDE OCL: 350uH Minimum @100KHz 100mV 8mADC

Q: 5 Min @10KHz 50mV

Pri DCR: 1.0 Ohms Max

CW/W (Pri/Sec): 30pF Typ

Rise Time (10-90%): 4.0ns Maximum

Insertion Loss (100KHz-100MHz): -1.0dB Maximum

Insertion Loss (100MHz-125MHz): -1.5dB Maximum

Return Loss:

Tx: @30MHz -20dB Typ Rx: @30MHz -18dB Typ
 @80MHz -15dB Typ @80MHz -12dB Typ

CM-DM Attenuation:

100KHz-60MHz -45dB Typ.(Tx) / -40dB Typ.(Rx)

60MHz-100MHz -40dB Typ.(Tx) / -35dB Typ.(Rx)

Crosstalk:

100KHz-60MHz -40dB Typical

60MHz-100MHz -38dB Typical

XFMRs Inc.
www.XFMRs.com

Title:

10/100BASE-TX MAGNETICS

UNLESS OTHERWISE SPECIFIED

TOLERANCES:

.xxx ±0.010

Dimensions in Inch

SHT 1 OF 1

P/N: XFATM2B3

DWN.

CHK.

APP.

Feng

YK Liao

Joe Huff

REV. A

Dec-08-10

Dec-08-10

Dec-08-10

PROPRIETARY

Document is the property of XFMRs Group & is not allowed to be duplicated without authorization.