

NOTES:

1. MATERIALS AND FINISHES:

BODY - BeCu, GOLD PLATING OVER WHITE BRONZE
 CONTACT - BeCu, GOLD PLATING OVER WHITE BRONZE
 INSULATOR - PTFE

2. ELECTRICAL:

A. IMPEDANCE: 50 OHM
 B. FREQUENCY RANGE: DC - 6 GHz
 C. DIELECTRIC WITHSTANDING VOLTAGE: 500 VRMS, MIN.

3. MECHANICAL:

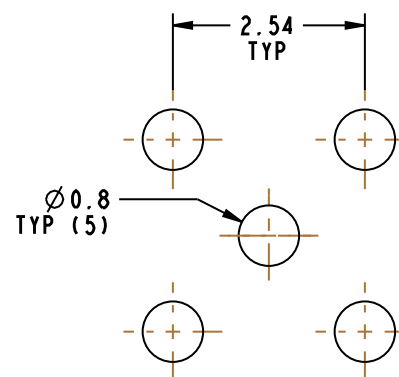
A. DURABILITY: 500 CYCLES MIN.
 B. TEMPERATURE RANGE: -65° C TO 165° C

4. A. QUANTITY: BULK PACK 100
 B. MARKING: BAG TO BE MARKED
 "AMPHENOL, 908-NM22106 100 PIECES, AND DATE CODE"
 AND "NON-MAGNETIC CONNECTORS"

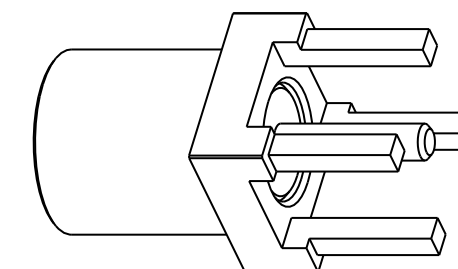
THIRD ANGLE PROJ.

REVISIONS

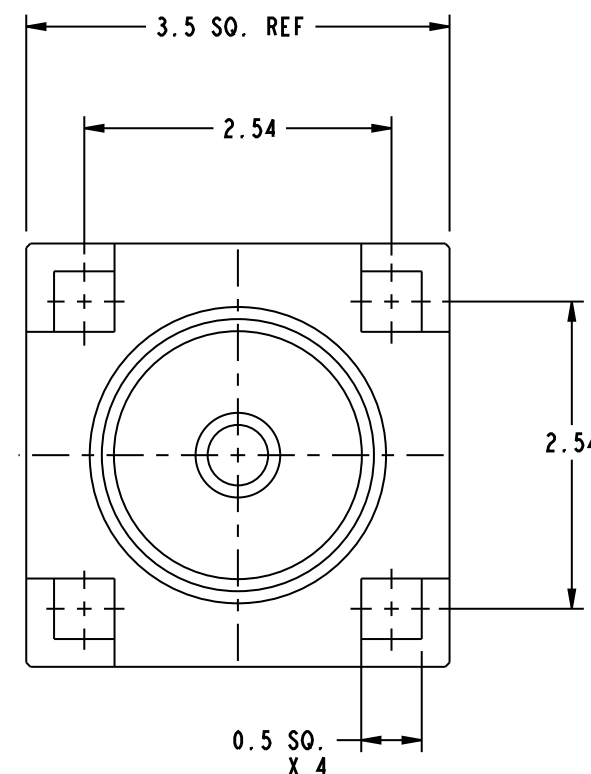
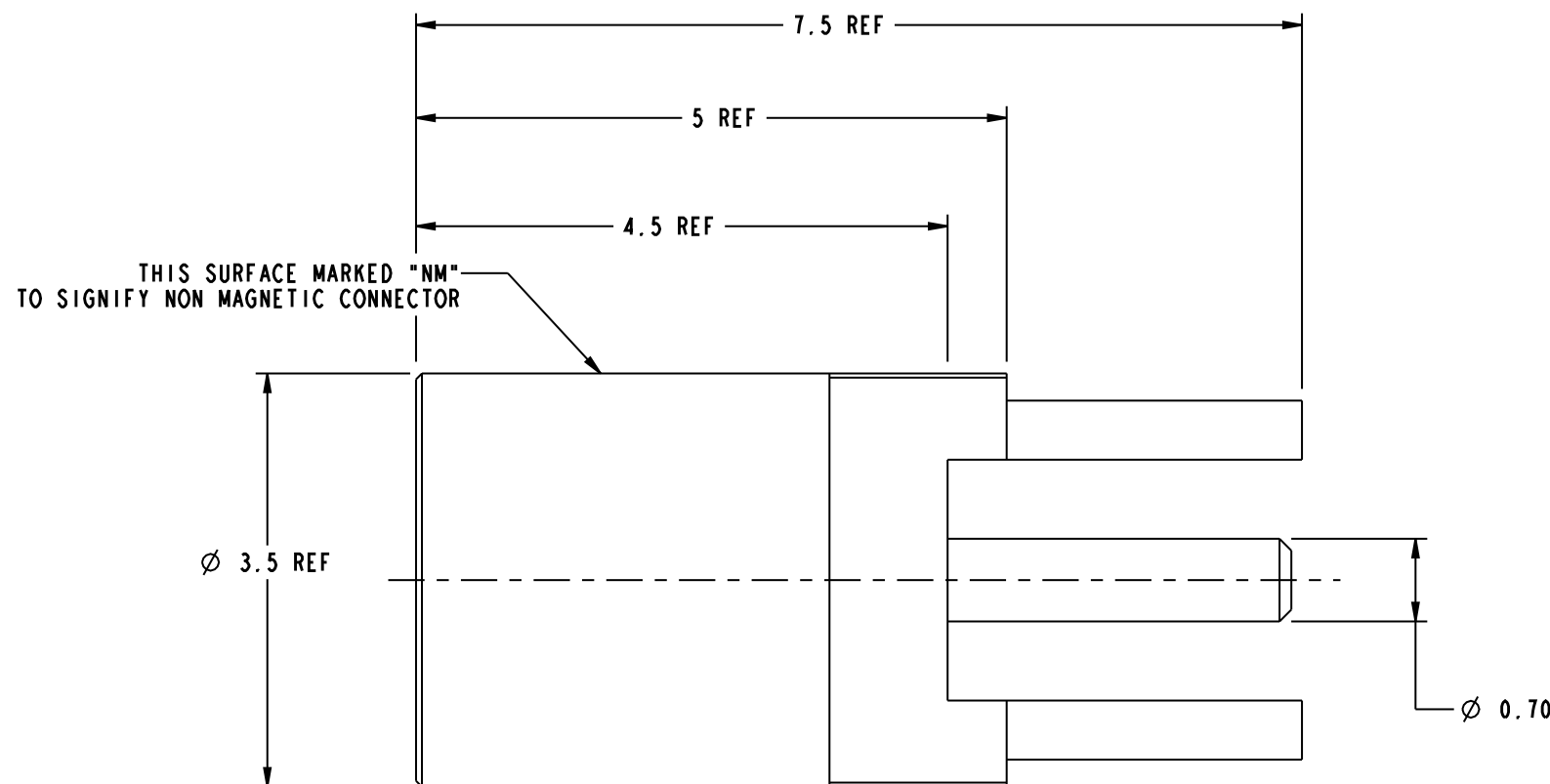
REV	DESCRIPTION	DATE	ECO	APPR
A	RELEASE TO MFG.	8/8/06	46108	KJC
B	SEE SHEET 1	3/17/10	47980	CPM



RECOMMENDED PCB LAYOUT



SCALE 7.000



CUSTOMER OUTLINE DRAWING

ALL OTHER SHEETS ARE FOR INTERNAL USE ONLY

METRIC DRAWING

UNLESS OTHERWISE SPECIFIED, DIMENSIONS ARE METRIC AND TOLERANCES ARE:
 1 PLACE DECIMAL ± 0.3MM (.012")
 2 PLACE DECIMAL ± .10 MM (.004")
 ANGLES ± 1°

NOTICE - These drawings, specifications, or other data (1) are, and remain the property of Amphenol corp. (2) must be returned upon request; and (3) are confidential and not to be disclosed to any person other than those to whom they are given by Amphenol Corp. The furnishing of these drawings, specifications, or other data by Amphenol Corp., or to any other person to anyone for any purpose is not to be regarded by implication or otherwise in any manner licensing, granting rights to permitting such holder or any other person to manufacture, use or sell any product, process or design, patented or otherwise, that may in any way be related to or disclosed by said drawings, specifications, or other data.

MATERIAL	DRAWN K. CAPOZZI	DATE 18-Jul-06	TITLE ASSEMBLY MMCX JACK STRAIGHT TO PCB NON MAGNETIC		Amphenol RF Danbury CT USA, Tainan, Taiwan, Shenzhen, China www.amphenolrf.com
REFERENCE EAR # 1952 AND	ENGINEER K. CAPOZZI	DATE 18-Jul-06	DRAWING NO.		
CONFIGURATION LEVEL: Engineering Change	APPROVED B. C. GLEISSNER	DATE 8/8/06	SCALE: 16.0:1.0	SHEET 2 OF 2	ITEM NO.
FINISH	CAD FILE Root Folder/MMCX/908-NM22106		DWG SIZE B	CODE ID 74868	REV B
					PART NO. 908-NM22106