

NOTES:

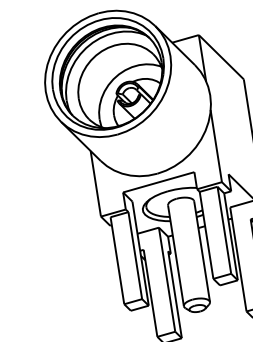
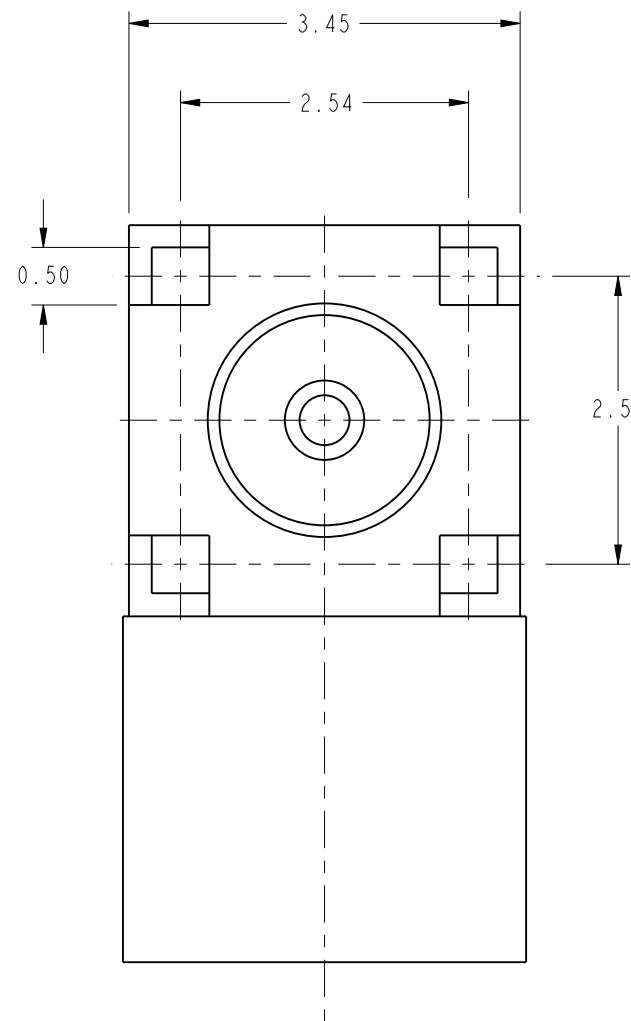
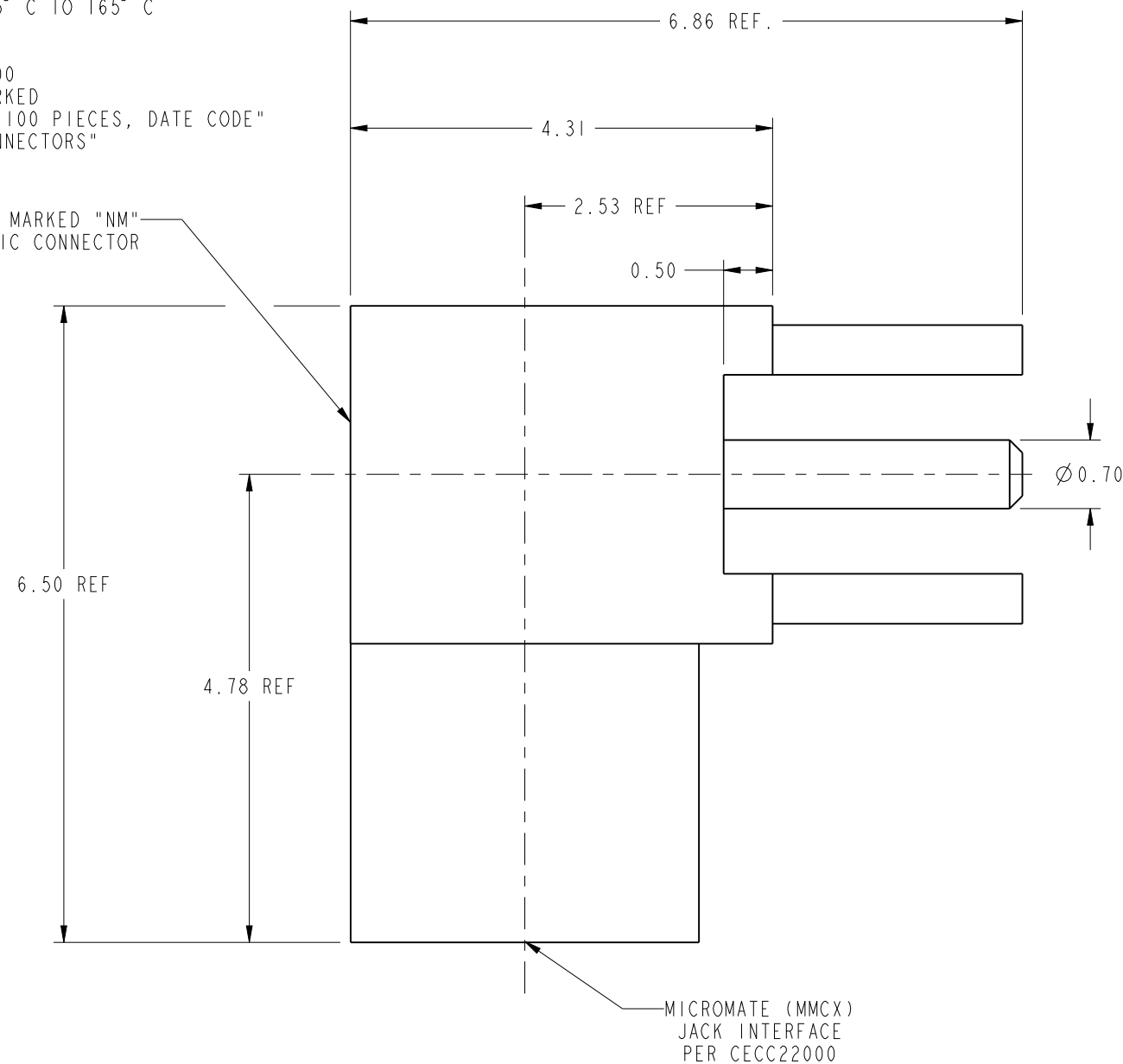
1. MATERIALS AND FINISHES:
 INTERFACE BODY - BeCu, WHITE BRONZE PLATING
 CONTACT & PCB BODY- BeCu, GOLD PLATING OVER WHITE BRONZE
 INSULATOR - PTFE
2. ELECTRICAL:
 A. IMPEDANCE: 50 OHM
 B. FREQUENCY RANGE: DC - 6 GHz
 C. DIELECTRIC WITHSTANDING VOLTAGE: 500 VRMS, MIN.
3. MECHANICAL:
 A. DURABILITY: 500 CYCLES MIN.
 B. TEMPERATURE RANGE: -65° C TO 165° C
4. PACKAGING:
 A. QUANTITY: BULK PACK 100
 B. MARKING: BAG TO BE MARKED
 "AMPHENOL, 908-NM24100 100 PIECES, DATE CODE"
 AND "NON-MAGNETIC CONNECTORS"

THIRD ANGLE PROJ.

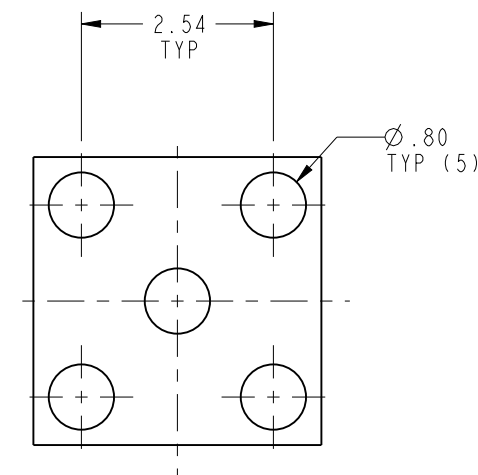
REVISIONS

REV	DESCRIPTION	DATE	ECO	APPR
A	RELEASE TO MFG.	8/8/06	46108	KJC
B	SEE SHEET 1	3/9/11	48226	JTS

THIS SURFACE MARKED "NM"
TO SIGNIFY NON MAGNETIC CONNECTOR



SCALE 5.000



RECOMMENDED MOUNTING HOLE DIMENSIONS

CUSTOMER OUTLINE DRAWING
ALL OTHER SHEETS ARE FOR INTERNAL USE ONLY

UNLESS OTHERWISE SPECIFIED DIMENSIONS SHALL BE IN METRIC AND TOLERANCES ARE:
 1 PLACE DECIMAL 6 - 30mm PLACE DECIMAL - 120mm ANGLES
 ± 0.2mm (0.010") ± 0.3mm (0.012") ± 0.1°

NOTICE - These drawings, specifications, or other data (1) are, and remain the property of Amphenol corp. (2) must be returned upon request; and (3) are confidential and not to be disclosed to any person other than those to whom they are given by Amphenol Corp. the furnishing of these drawings, specifications, or other data by Amphenol Corp., or to any other person to anyone for any purpose is not to be regarded by implication or otherwise in any manner licensing, granting rights to permitting such holder or any other person to manufacture, use or sell any product, process or design, patented or otherwise, that may in any way be related to or disclosed by said drawings, specifications, or other data.

MATERIAL	-
REFERENCE	EAR # 1952 AND
CONFIGURATION LEVEL:	
FINISH	

DRAWN	K. CAPOZZI	DATE	18-Jul-06
ENGINEER	K. CAPOZZI	DATE	18-Jul-06
APPROVED	B. C. GLEISSNER	DATE	8/8/06
CAD FILE			

TITLE		
ASSEMBLY MMCX JACK R/A TO PCB NON MAGNETIC		
SCALE: 15.0:1.0	SHEET 2 OF 2	
DWG SIZE	CODE ID	REV
B	74868	B

Amphenol RF	
Danbury CT USA, Tainan, Taiwan, Shenzhen, China www.amphenolrf.com	
DRAWING NO.	
ITEM NO.	908-NM24100