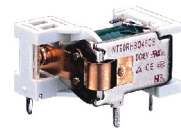


DB ELECTRO ^{UN}

Présente / Presents:

NINGBO HUAGUAN ELECTRONICS CO.,LTD.





Dust Covered

26.8×21.5×22.3



Open Type

24×19×20

JQC-4(4120)

Features

- Small size, heavy contact load, capable of standing strong current of 40A at 14VDC.
- PC board mounting.
- Suitable for automatic control facilities and automobile application etc.
- Both European 11mm footprint and American 8mm footprint available.
- The parts are ROHS compliant.

Contact Data

Contact Arrangement	1A, 1B, 1C		
Contact Material	AgNi	Ag-SnO ₂	Ag-CdO Ag-SnO ₂ ·In ₂ O ₃
Contact Rating (resistive)	NO: 40A/14VDC; NC: 30A/14VDC, 20A/120VAC, 15A/28VDC		
Max. Switching Power	360W	1800VA	
Max. Switching Voltage	75VDC	380VAC	Max. Switching Current:40A
Contact Resistance or Voltage drop	≤30mΩ		Item 3.12 of IEC255-7
Operation life	Electrical	10 ⁵	Item 3.30 of IEC255-7
	Mechanical	10 ⁷	Item 3.31 of IEC255-7

Coil Parameter

Coil voltage VDC		Coil resistance Ω±10%	Pickup voltage VDC(max) (70%of rated voltage)	release voltage VDC(min) (10% of rated voltage)	Coil power consumption W	Operate Time ms	Release Time ms
Rated	Max.						
6	7.8	19	4.20	0.6	1.9	≤5	≤3
9	11.7	42.6	6.30	0.9			
12	15.6	90	8.40	1.2			
18	23.4	202.5	12.6	1.8	1.6		
24	31.2	360	16.8	2.4			

CAUTION: 1.The use of any coil voltage less than the rated coil voltage will compromise the operation of the relay.

2.Pickup and release voltage are for test purposes only and are not to be used as design criteria.

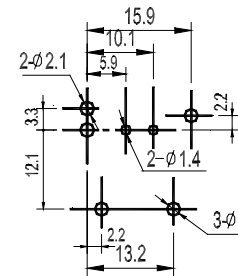
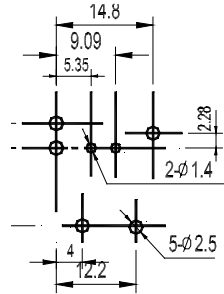
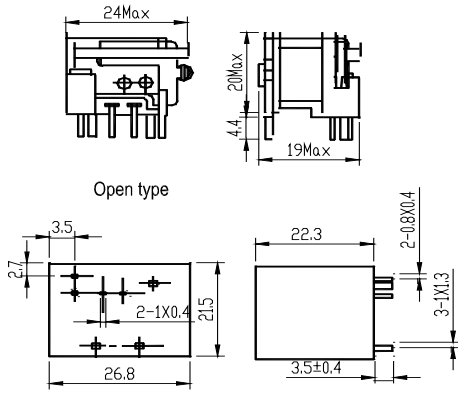
Operation condition

Insulation Resistance	100MΩ min (at 500VDC)	Item 7 of IEC255-5
Dielectric Strength		
Between contacts	50Hz 500V	Item 6 of IEC255-5
Between contact and coil	50Hz 750V	Item 6 of IEC255-5
Shock resistance	200m/s ² 11ms	IEC68-2-27 Test Ea method 1
Vibration resistance	10~40Hz double amplitude 1.27mm	IEC68-2-6 Test Fc
Terminals strength	10N	IEC68-2-21 Test Ua1
Solderability	230℃ ±2℃ 10 ±0.5s	IEC68-2-20 Test Ta method 1
Ambient Temperature	-40~110℃	
Relative Humidity	85% (at 40℃)	IEC68-2-3Test Ca
Mass	19g (Open type) 21g	

Qualification inspection:

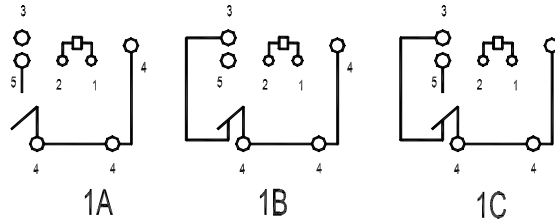
Perform the qualification test as specified in the table IV of IEC255-19-1 and minimum sample size 24.

Dimensions (Unit: mm)



Mounting (Bottom views)

Dimensions



Wiring diagram(Bottom views)

mm	inch
0.4	0.016
0.8	0.031
1.0	0.039
1.3	0.051
1.4	0.055
2.0	0.079
2.1	0.083
2.2	0.087
2.28	0.090
2.5	0.098
2.6	0.106
3.3	0.130
3.5	0.138
3.78	0.149
4.0	0.157
4.5	0.173
5.35	0.210
5.9	0.232
9.09	0.358
10.1	0.398
12.2	0.480
13.2	0.520
14.8	0.583
15.9	0.626
19	0.748
20	0.787
21.5	0.846
22.3	0.878
24	0.945
26.8	1.055

NOTES 1).Dimensions are in millimeter.

2).Inch equivalents are given for general information only.

Reference Data

