

Clock Dividers

.4 – 400 MHz, 2 Watts

PD Clock Divider Series

V2.00

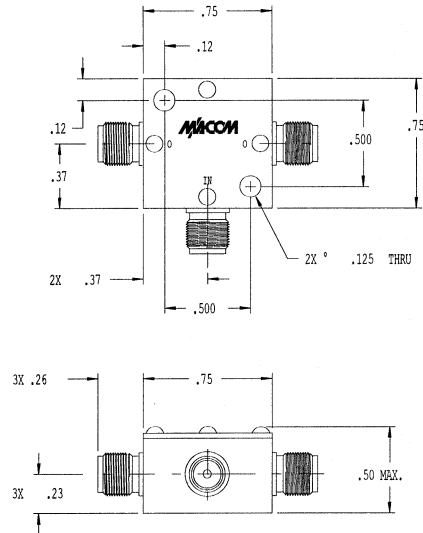
Features

- Low insertion loss.
- SMA Connectors.
- Light weight miniature aluminum housing.
- Choose from 2 to 8 outputs.
- VSWR 1.2:1 (typical).

Description

Two-Watt RF Clock Divider in light weight miniature aluminum housing. Available in 2, 3, 4, 6 and 8 output designs to ease system design and integration.

Figure 1



Ordering Information

Part Number	Frequency Range (MHz)	Figure	Insertion Loss (dB)	Isolation (dB)	VSWR (Typical)	Phase Balance	Amplitude Balance (dB)
PD10-0046-SMA	0.4-400	1	.8	25	1.2:1	2°	0.2
PD20-0014-SMA	0.4-400	2	1.0	20	1.2:1	3°	0.3
PD25-0010-SMA	0.4-400	3	1.25	20	1.2:1	4°	0.4
PD15-0002-SMA	0.4-400	4	1.5	20	1.2:1	4°	0.4
PD30-0005-SMA	0.4-400	5	2.0	20	1.2:1	5°	0.5

Figure 2

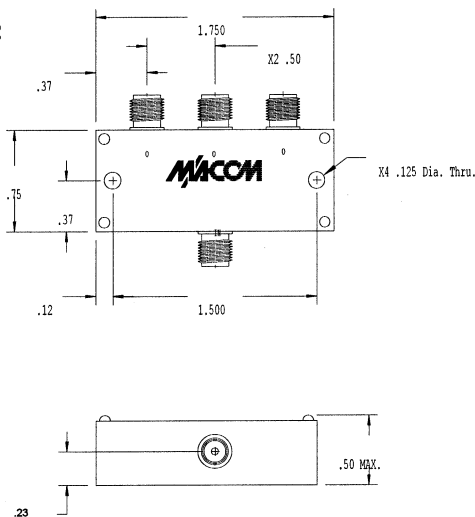


Figure 3

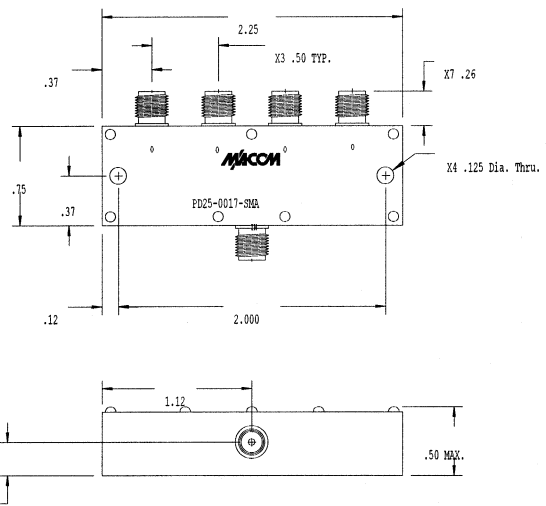


Figure 4

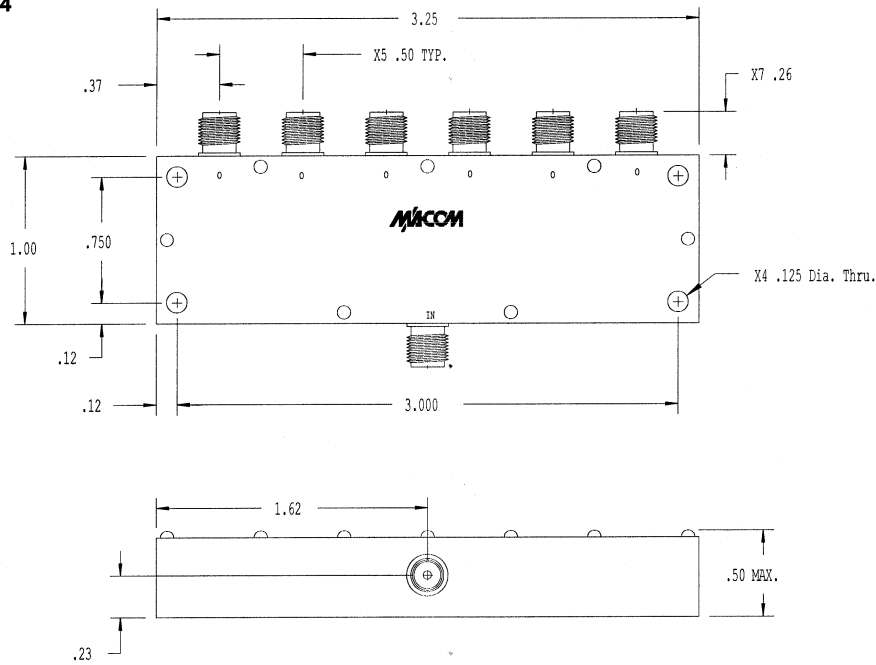


Figure 5

