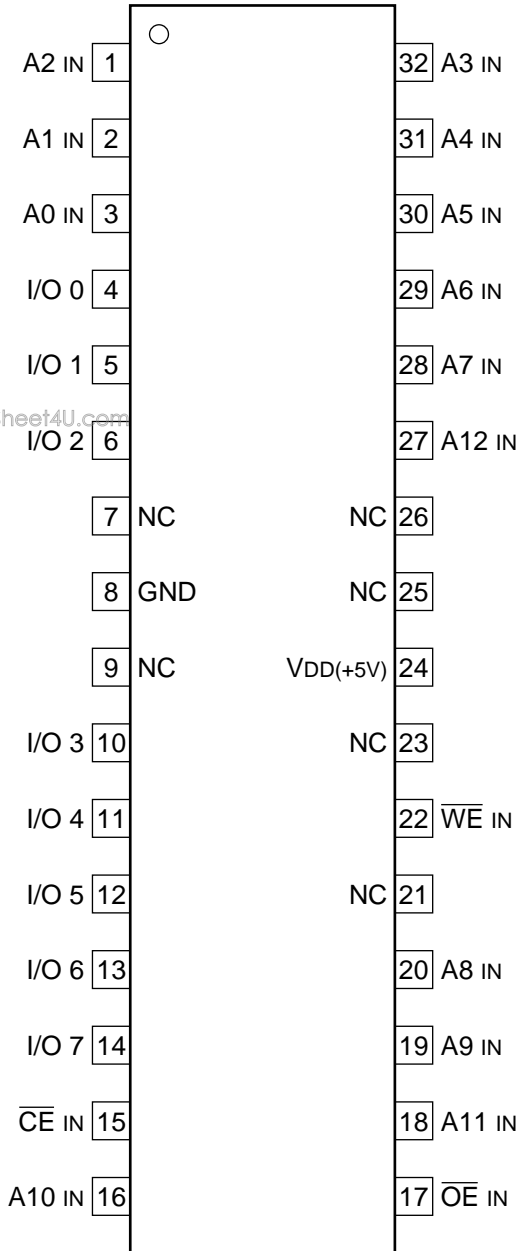
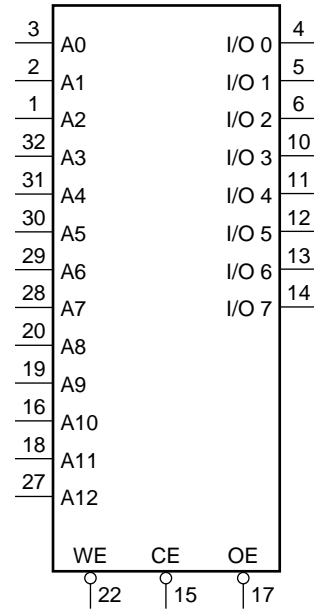
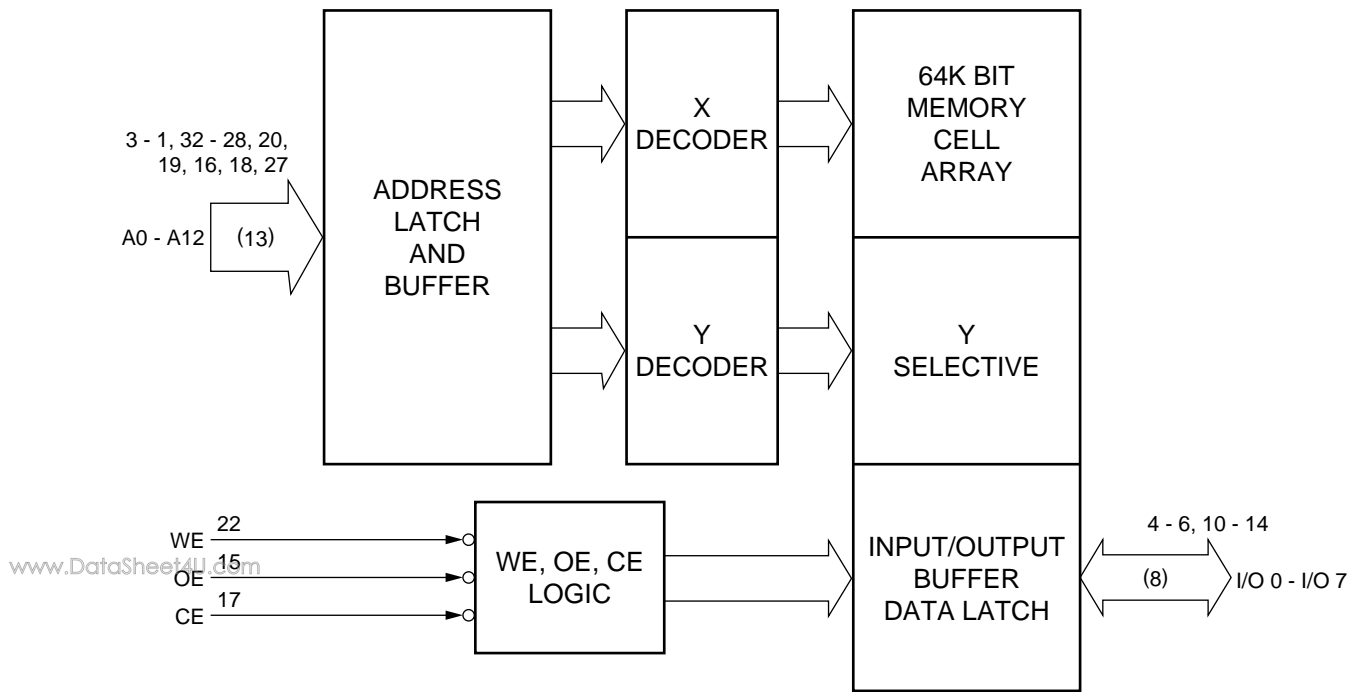

C-MOS 64K(8K 8)-BIT EEPROM
-TOP VIEW-



www.DataSheet4U.com



- A0 - A12 ; ADDRESS INPUTS
- I/O 0 - I/O 7 ; DATA INPUTS/OUTPUTS
- \overline{WE} ; WRITE ENABLE INPUT
- \overline{CE} ; CHIP ENABLE INPUT
- \overline{OE} ; OUTPUT ENABLE INPUT



*ABOVE DIAGRAM SHOWS CONDITIONS BEFORE PROGRAMMING.