

PLEASE CHECK WWW.MOLEX.COM FOR LATEST PART INFORMATION

Part Number: [0019091069](#)
Status: **Active**
Overview: [standard_093](#)
Description: 2.36mm (.093") Diameter Standard .093" Pin and Socket Receptacle Housing With Positive Latch, UL 94V-2, 6 Circuits

Documents:

[3D Model](#) [Drawing \(PDF\)](#)
[Packaging Specification \(PDF\)](#) [RoHS Certificate of Compliance \(PDF\)](#)

Agency Certification

CSA	LR19980
TUV	R72081037
UL	E29179

General

Product Family	Crimp Housings
Series	3191
Comments	Polarized to Mating Part, Without Mounting Ears
Overview	standard_093
Product Name	Standard .093"

Physical

Breakaway	No
Circuits (maximum)	6
Circuits Detail	2x3
Color - Resin	Natural
Flammability	94V-2
Gender	Dual
Glow-Wire Compliant	No
Keying to Mating Part	None
Lock to Mating Part	Yes
Material - Resin	Nylon
Number of Rows	2
Packaging Type	Bag
Panel Mount	No
Pitch - Mating Interface (in)	0.264 In
Pitch - Mating Interface (mm)	6.71 mm
Polarized to Mating Part	Yes
Stackable	No
Temperature Range - Operating	-40°C to +105°C

Electrical

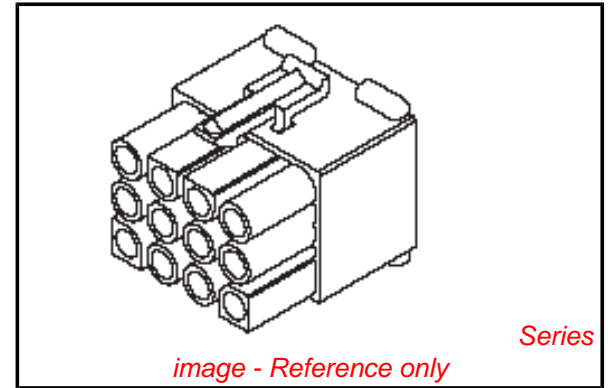
Current - Maximum per Contact	9A
-------------------------------	----

Material Info

Old Part Number	3191-6R1
-----------------	----------

Reference - Drawing Numbers

Packaging Specification	PK-3191-001
Sales Drawing	SD-3191-6*



EU RoHS

ELV and RoHS Compliant
REACH SVHC Contains SVHC: No
Halogen-Free
Status Not Reviewed

China RoHS



Need more information on product environmental compliance?

Email productcompliance@molex.com
 For a multiple part number RoHS Certificate of Compliance, [click here](#)

Please visit the [Contact Us](#) section for any non-product compliance questions.

Search Parts in this Series

[3191Series](#)

Mates With

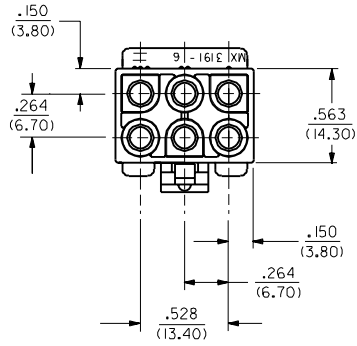
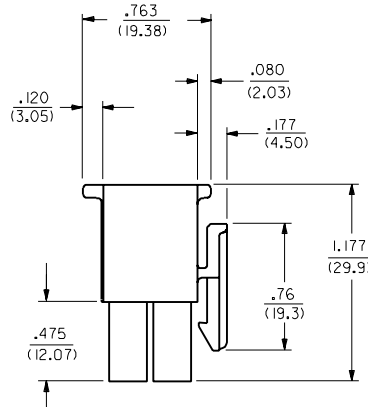
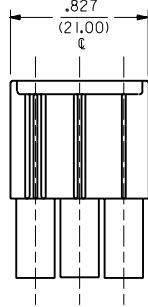
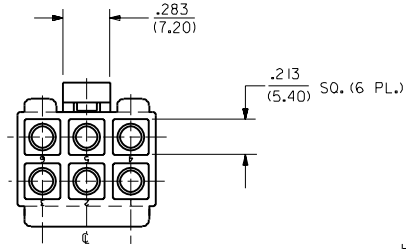
[3191](#) Pin and Socket Plug, [5219](#) Vertical PCB Header

Use With

[1189](#) Crimp Terminals, [1190](#) Crimp Terminals, [1380](#) Male Crimp Terminals, [1381](#) Female Crimp Terminals, [1433](#) Crimp Terminals, [1434](#) Male Crimp Terminals, [2605](#) , [2606](#) , [1973](#) , [2151](#) , [2273](#) , [2870](#) , [2871](#) , [4272](#) , Lin

13 12 11 10 9 8 7 6 3191 4 3 2 1

J
I
H
G
F
E
D
C
B
A



RECEPTACLE

DIMENSIONS SHOWN METRIC (INCH)		UNLESS OTHERWISE SPECIFIED TOLERANCES: ANGULAR ± .010		REVISIONS	
INCH	METRIC	INCH	METRIC	REV.	DATE
3 PLACE ± .010	---	---	---		
2 PLACE ± .014	± 0.25				
1 PLACE ---	± 0.36				
DRAFT WHERE APPLICABLE MUST REMAIN WITHIN DIMENSIONS				SEE SHT 1	
DRW. BY: JJS	CHKD. BY: RW	LTR.	REVISIONS	LTR.	REVISIONS
APP'D. RAS	SCALE 2:1				
TITLE: .093/(2.36) HOUSING PLUG AND RECEPTACLE 6 CIRCUIT, .264/(6.70)CTRS		PART NO. SEE SHEET 3		DRWG. NO. SD-3191-6	
MOLEX INCORPORATED		LITSE,ILL. 60532		SHEET NO. 2 DATE 1/22/88	
U.S.A.		U.S.A.		DIV. SIZE C	

13 12 11 10 9 8 7 6 5 4 3 2 1

13 12 11 10 9 8 7 6 3191 4 3 2 1

PLUG		RECEPTACLE	
PART NO.	ENG. NO.	PART NO.	ENG. NO.
19-09-2068	3191-6P	19-09-1069	3191-6R1
19-09-2069	3191-6P1	19-09-1066	3191-6R1-201
19-09-2067	3191-6P-201	19-09-6060	3191-6R IRD
19-09-2066	3191-6P1-201	19-09-6069	3191-6R IBK
19-09-7069	3191-6PRD		
19-09-7068	3191-6PBK		

LEGEND:

3191-6****-*

CIRCUIT SIZE

P = PLUG

R = RECEPTACLE

EARS: BLANK = WITH PREBENT EARS (PLUG ONLY)

I = WITHOUT EARS

COLOR: BLANK = NATURAL COLOR

AM=AMBER BK=BLACK BU=BLUE

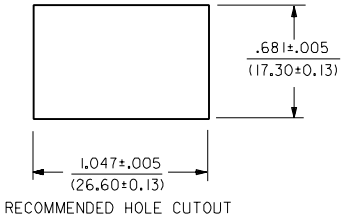
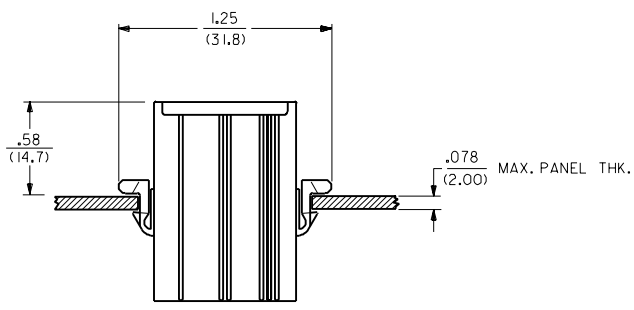
BN=BROWN GY=GRAY GN=GREEN

OR=ORANGE RD=RED YW=YELLOW

COLORS AVAILABLE ONLY IN 94V-2 MATERIAL

MATERIAL: BLANK=NYLON TYPE 6/6, 94V-2

201=NYLON TYPE 6/6, 94V-0



MOUNTING HOLE DETAIL

3191

J
I
H
G
F
E
D
C
B
A

J
I
H
G
F
E
D
C
B
A

DIMENSIONS SHOWN (METRIC) INCH		UNLESS OTHERWISE SPECIFIED TOLERANCES: ANGLES .015 + .005		REVISIONS		REVISIONS		REVISIONS		REVISIONS		REVISIONS		REVISIONS		REVISIONS		REVISIONS		REVISIONS	
3 PLACE	± .010	---		M	SEE SHEET 1	L	SEE SHT. 1	K	SEE SHT. 1	J	SEE SHT. 1										
2 PLACE	± .014	± 0.25																			
1 PLACE	---	± 0.36																			
DRAFT WHERE APPLICABLE MUST REMAIN WITHIN DIMENSIONS				DRWG. BY: JUS		CHK'D. BY: RW															
APP'D. BY: RAS				SCALE: --:--																	
TITLE		.093/(2.36) HOUSINGS PLUG AND RECEPTACLE		PART NO.		SD-3191-6*															
MOLEX INCORPORATED		60532		SHEET NO.		3		DATE		1/22/88											
SEE CHART		SD-3191-6*																			
FILE NAME		S31916X3.DGN																			
THIS DRAWING CONTAINS INFORMATION THAT IS PROPRIETARY TO MOLEX INC. AND SHOULD NOT BE USED WITHOUT WRITTEN PERMISSION		CP																			

13 12 11 10 9 8 7 6 5 4 3 2 1