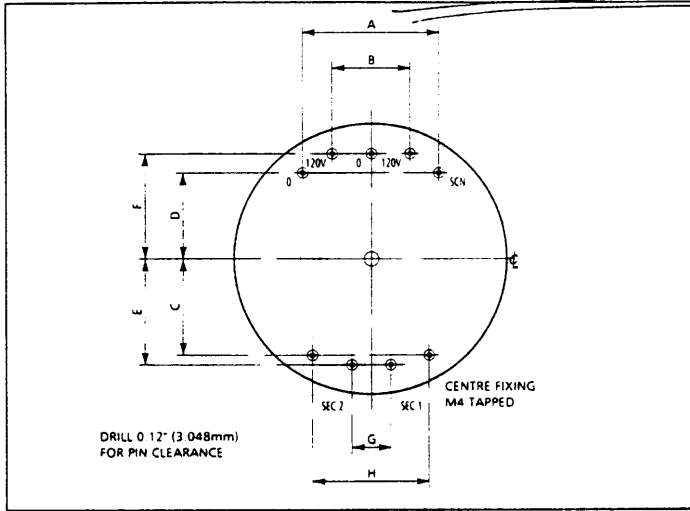


PIN LAYOUT WITH SCREEN

178-153 to 166

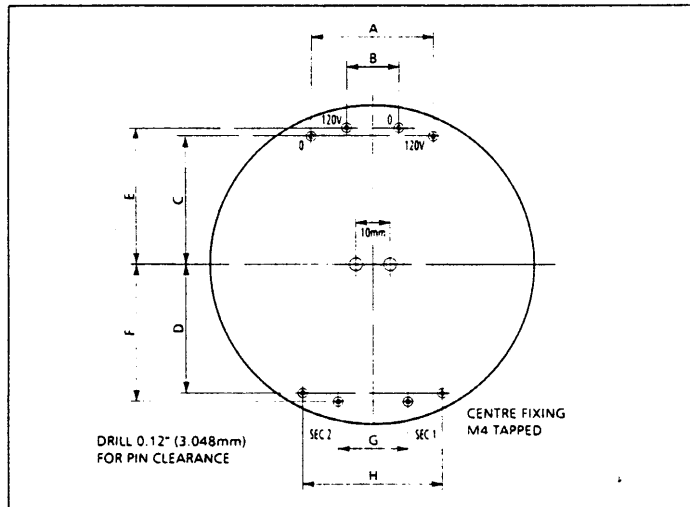


DIMENSIONS

	A	B	C	D	E	F	G	H	
10VA	30.48 1.20	15.24 0.60	20.32 0.80	17.78 0.70	20.32 0.80	20.32 0.80	7.62 0.30	22.86 0.90	mm inches
20VA	35.36 1.40	20.32 0.80	25.40 1.00	22.86 0.90	27.94 1.10	27.94 1.10	10.16 0.40	30.48 1.20	mm inches
50VA	40.64 1.60	20.32 0.80	38.10 1.50	38.10 1.50	40.64 1.60	40.64 1.60	15.24 0.60	35.56 1.40	mm inches

Recommended drill size 3mm (0.125 inches)

PIN LAYOUT WITHOUT SCREEN



DIMENSIONS

	A	B	C	D	E	F	G	H	
15VA	30.48 1.20	10.16 0.40	22.86 0.90	22.86 0.90	27.94 1.10	27.94 1.10	15.24 0.60	35.56 1.40	mm inches
30VA	30.48 1.20	10.16 0.40	33.02 1.30	30.48 1.20	35.56 1.40	35.56 1.40	20.32 0.80	40.64 1.60	mm inches
50VA	35.56 1.40	15.24 0.60	38.10 1.50	38.10 1.50	40.64 1.60	40.64 1.60	20.32 0.80	40.64 1.60	mm inches

Recommended drill size 3mm (0.125 inches) Single M4 fixing for 15VA & 30VA

Type	Primary Volts	Nom. Load VA	Secondary RMS Volts V	Secondary RMS Current A	Dimensions Dia. mm	Ht. mm	Weight kg Typical	Mounting
▼ PRINTED CIRCUIT STYLE ▼								
40/3330	120+120	15	6+6	1.250	66	33	0.35	M4 Central
40/3331	120+120	15	9+9	0.830	66	33	0.35	
40/3332	120+120	15	12+12	0.625	66	33	0.35	
40/3333	120+120	15	15+15	0.500	66	33	0.35	
40/3334	120+120	15	20+20	0.375	66	33	0.35	
40/3335	120+120	30	6+6	2.500	83	36	0.60	M4 Central
40/3336	120+120	30	9+9	1.666	83	36	0.60	
40/3337	120+120	30	12+12	1.250	83	36	0.60	
40/3338	120+120	30	15+15	1.000	83	36	0.60	
40/3339	120+120	30	20+20	0.750	83	36	0.60	2xM4 spaced 10mm
40/3340	120+120	50	9+9	2.800	95	39	0.90	
40/3341	120+120	50	12+12	2.100	95	39	0.90	
40/3342	120+120	50	15+15	1.670	95	39	0.90	
40/3343	120+120	50	20+20	1.250	95	39	0.90	
40/3344	120+120	50	25+25	1.000	95	39	0.90	
▼ PRINTED CIRCUIT STYLE WITH WOUND SCREEN ▼								
40/3438	120+120	10	6+6	0.800	57.5	33	0.28	M4 Central
40/4298	120+120	10	9+9	0.500	57.5	33	0.28	
40/3439	120+120	10	12+12	0.400	57.5	33	0.28	
40/3440	120+120	10	15+15	0.300	57.5	33	0.28	
40/3441	120+120	10	20+20	0.250	57.5	33	0.28	
40/3690	120+120	20	6+6	1.666	73	33	0.45	M4 Central
40/3691	120+120	20	9+9	1.111	73	33	0.45	
40/3692	120+120	20	12+12	0.833	73	33	0.45	
40/3693	120+120	20	15+15	0.666	73	33	0.45	
40/3694	120+120	20	20+20	0.500	73	33	0.45	2xM4 spaced 10mm
40/3695	120+120	50	9+9	2.800	95	39	0.90	
40/3696	120+120	50	12+12	2.100	95	39	0.90	
40/3697	120+120	50	15+15	1.670	95	39	0.90	
40/3698	120+120	50	20+20	1.250	95	39	0.90	
40/3699	120+120	50	25+25	1.000	95	39	0.90	
▼ FLEXIBLE LEAD STYLE ▼								
40/2760	120+120	15	6+6	1.250	69	31	0.35	M4 Central
40/2761	120+120	15	9+9	0.830	69	31	0.35	
40/2762	120+120	15	12+12	0.625	69	31	0.35	
40/2763	120+120	15	15+15	0.500	69	31	0.35	
40/2764	120+120	15	20+20	0.375	69	31	0.35	
40/2765	120+120	30	6+6	2.500	85	35	0.60	M4 Central
40/2766	120+120	30	9+9	1.666	85	35	0.60	
40/2767	120+120	30	12+12	1.250	85	35	0.60	
40/2768	120+120	30	15+15	1.000	85	35	0.60	
40/2769	120+120	30	20+20	0.750	85	35	0.60	2xM4 spaced 10mm
40/2770	120+120	50	9+9	2.800	98	39	0.90	
40/2771	120+120	50	12+12	2.100	98	39	0.90	
40/2772	120+120	50	15+15	1.670	98	39	0.90	
40/2773	120+120	50	20+20	1.250	98	39	0.90	
40/2774	120+120	50	25+25	1.000	98	39	0.90	2xM4 spaced 10mm
40/2775	120+120	90	12+12	3.750	109	46	1.35	
40/2776	120+120	90	15+15	3.000	109	46	1.35	
40/2777	120+120	90	20+20	2.250	109	46	1.35	
40/2778	120+120	90	25+25	1.800	109	46	1.35	
40/2779	120+120	90	30+30	1.500	109	46	1.35	2xM4 spaced 20mm
40/2780	120+120	130	18+18	3.610	124	48	1.95	
40/2781	120+120	130	22+22	3.000	124	48	1.95	
40/2782	120+120	130	30+30	2.160	124	48	1.95	
40/2783	120+120	130	35+35	1.850	124	48	1.95	
40/2784	120+120	130	40+40	1.620	124	48	1.95	



AVEL-LINDBERG LTD.
ARISDALE AVENUE
SOUTH OCKENDON
ESSEX RM15 5TD
Telephone: (0708) 853444
Fax: (0708) 851040