

## Oil Filters

Technical Data
----------------

Model	Connection Size BSP	Degree of Filtration Microns	Max Working Pressure Bar	Max Working Temp °C	Bowl Construction
7045201AL	1/4"	100	2	90	Aluminium
7045201PL	1/4"	100	2	50	Plastic
7045101AL	3/8"	100	2	90	Aluminium
7045101PL	3/8"	100	2	50	Plastic
7020701AL	3/4"	100	2	90	Aluminium
7030201AL	1/2"	100	2	90	Aluminium
7030201PL	1/2"	100	2	50	Plastic
7010101AL	1"	100	2	90	Aluminium

719-0748

719-0750

719-0761

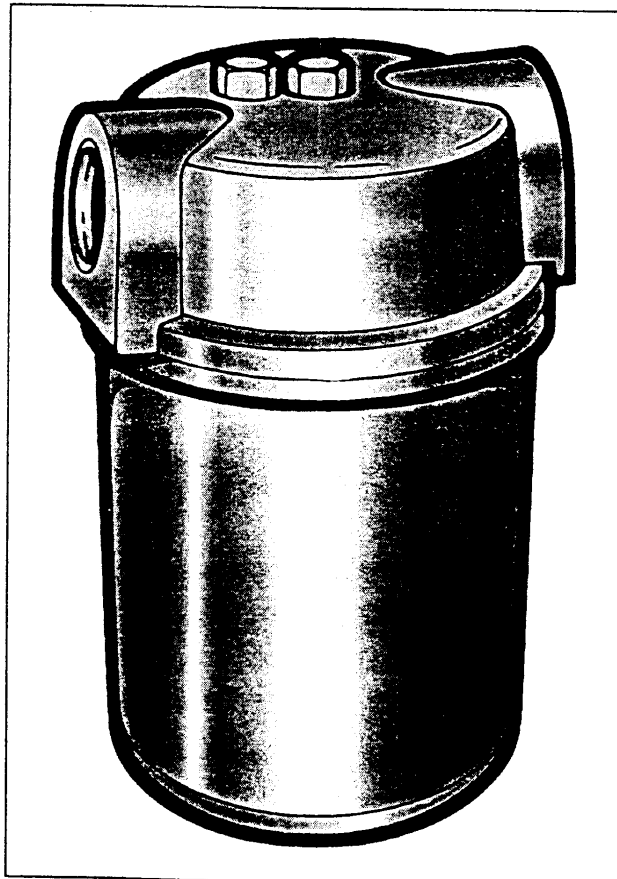
719-0773

719-0785

719-0797

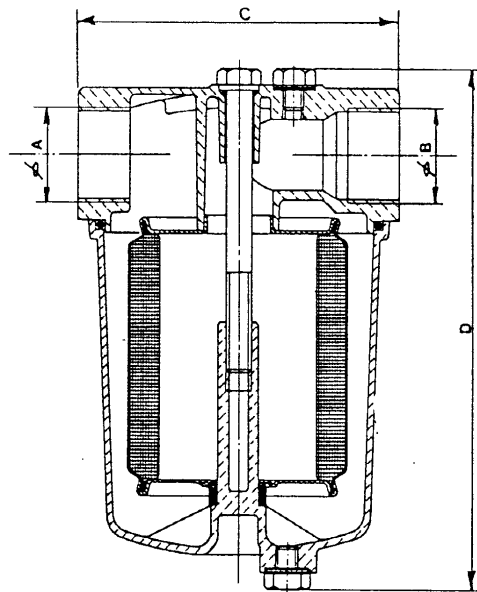
719-0803

719-0815



**Dimensions**

Model	Dimension A BSP	Dimension B BSP	Dimension C mm	Dimension D mm
7045201AL	1/4"	1/4"	61	75
7045201PL	1/4"	1/4"	61	75
7045101AL	3/8"	3/8"	61	75
7045101PL	3/8"	3/8"	61	75
7020701AL	3/4"	3/4"	96	144
7030201AL	1/2"	1/2"	81	84
7030201PL	1/2"	1/2"	81	84
7010101AL	1"	1"	120	181



**Installation & Maintenance :**

The Altecnic oil filters can be installed in any position , however we recommend that they are installed vertically , with the cup turned downwards . Due to the design of the filter for cleaning purposes it is sufficient to remove the cup and wash the filtering element with either gas oil or gasoline and prior to re assembling the unit we advise that a visual check of both the filtering element and the body is carried out . If any damage is found , please replace the filter.

We reserve the right to amend any of this information without prior notice