

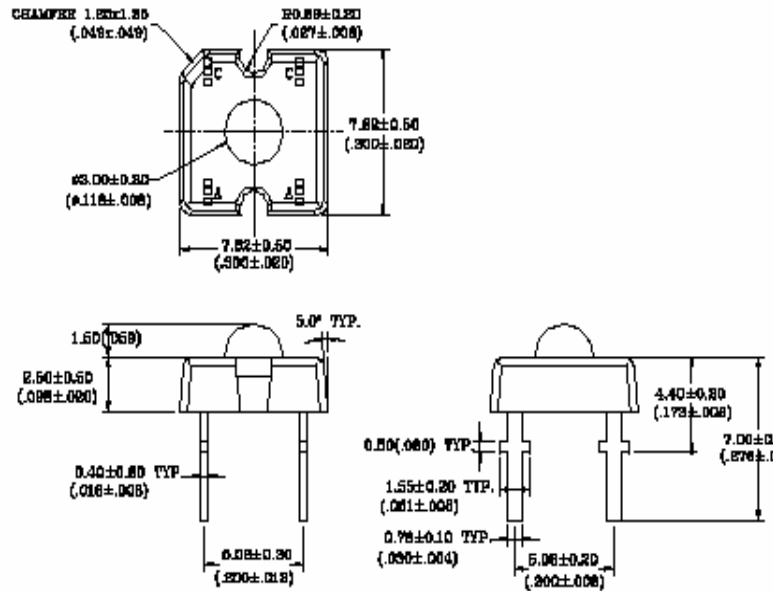
SUPER FLUX LED

BTF-37AMCS-XX-X

Product Features

- Ultra Bright Amber Color
- High Light Output
- 3mm Super Flux Package
- Water Clear Lens
- Highly Reliable
- IC Compatible
- Leads with Stand Off

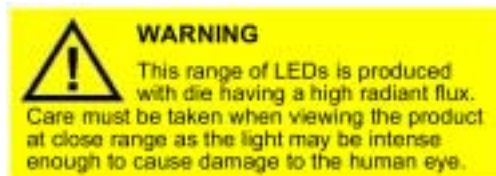
Package Dimension



Tolerance: $\pm \frac{\text{inch}}{\text{mm}}$ Unit: $\pm \frac{0.01}{0.25}$

Applications

- Outdoor Sign Board
- Automotive
- Front Panel Indicator
- Special Lighting
- General Purpose LEDs



Note: Industry standard procedures regarding static must be observed when handling this product.

Optical and Electrical Characteristics at $T_a=25$

| Parameter | Symbol | Minimum | Typical | Maximum | Units | Conditions |
|--------------------|-----------------|---------|---------|---------|---------------|---------------------------------|
| Luminous Intensity | I_v | 350 | 500 | - | mcd | $I_F = 20\text{mA}$ (Note 1) |
| Viewing Angle | $2\theta_{1/2}$ | - | 90 | - | degree | $I_F = 20\text{mA}$ |
| Peak Wavelength | λ_P | 600 | - | 610 | nm | $I_F = 20\text{mA}$ (Note 2) |
| DC Forward Voltage | V_F | - | 1.9 | 2.5 | V | $I_F = 20\text{mA}$ |
| DC Reverse Current | I_R | 0 | - | 10 | μA | $V_R=5\text{V}$ |

Notes:

1. Light intensity measures the light sensing response standard using chromatic meter. Refer to the CIE eye-response curve set by International Lighting committee. Tolerance of minimum and maximum intensity = $\pm 15\%$
2. Color coordinates range can be selected from the bin selection table. The parameters used fulfilled the 1932 2 standard
3. These products are sensitive to static electricity and care must be fully taken when handling products

SUPER FLUX LED

BTF-37AMCS-XX-X

Absolute Maximum Ratings at $T_a=25$

| Symbol | Parameter | Max. | Unit |
|--|--|-------------|-----------------|
| P_D | Power Rating | 60 | mW |
| V_R | Reverse Voltage ($I_R=10\mu A$) | 5 | V |
| I_F | Continuous Forward Current | 30 | mA |
| I_{PF} | Peak Forward Current (0.1 duty cycle @ 1kHz) | 100 | mA |
| T_{opr} | Operating Temperature Range | -35 ~ + 80 | |
| T_{stg} | Storage Temperature Range | -40 ~ + 100 | |
| Lead Soldering Temperature [1.6mm (0.063inch) from body] | | 260 | - max 5 seconds |

Color and Brightness Selection

BTF-37AMCS-XX-X

Color Bin Selection

| Bin | Amber (nm) |
|-----------|------------|
| A2 | 600~604 |
| A3 | 604~608 |
| XX | 600~608 |

Brightness Bin Selection

| Bin | Range(mcd) |
|----------|------------|
| M | 345~485 |
| N | 485~680 |
| O | 680~950 |