

- 1.7 - 2.0 GHz
- HIGH POWER...100 WATTS CW
- LOW LOSS
- LOW VSWR
- SURFACE MOUNT
- TAPE & REEL



TECHNICAL DESCRIPTION / APPLICATION

MULTI-MIX PICO™ Z-SERIES DIRECTIONAL COUPLERS

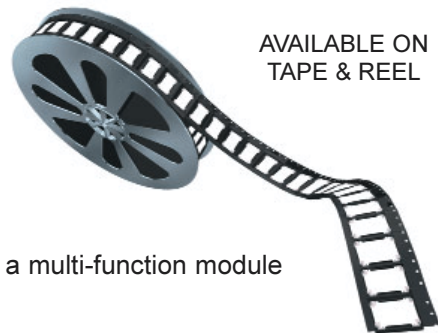
The Multi-Mix[®] CSD-Z series provides directional couplers with low insertion loss, low VSWR, and high power handling in a small outline. Precise coupling and frequency sensitivity make them ideal for applications involving power amplifiers, signal distribution and processing.

CSD-Z directional couplers are fusion bonded multilayer stripline assemblies. The fusion bonding process yields a homogeneous monolithic dielectric structure with reliability, ruggedness, and electrical performance that is superior to conventional adhesive bonding techniques.

The CSD-Z series is an easy to install SMD designed specifically for the full spectrum of wireless applications. The high stability ceramic filled PTFE dielectrics utilized in these components are compatible with common substrates such as FR-4, G-10, and polyamide. The wrap around ground plane provides excellent EM shielding.

Additional benefits include:

- Small outline size
- High power...100 Watts CW
- Cost effective for commercial wireless applications
- Operating temperature range -55°C to $+85^{\circ}\text{C}$.
- Available on tape and reel
- Can be integrated with other Multi-Mix[®] components in a multi-function module



AVAILABLE ON
TAPE & REEL

RELIABILITY

The product family has passed environmental screening including Thermal shock, Burn-in, Acceleration, Vibration, Mechanical Shock, Moisture Resistance, Resistance to Solder Heat, and Thermal Cycling Life Test (>1000 cycles).

THE MULTI-MIX[®] PROCESS

Multi-Mix[®] is a manufacturing process based on fluoropolymer composite substrates that are fusion bonded together into a multilayer structure. The fusion bonding process yields a homogeneous monolithic structure with superior performance at microwave and millimeter wave frequencies. The bonded multilayers can contain embedded semiconductors, MMICs, etched resistors, circuit patterns, and plated-through vias to form a SMD module that requires no additional packaging and is suitable for automated assembly.

THE MULTI-MIX MICROTECHNOLOGY[®] GROUP IS ISO-9001 REGISTERED



GENERAL SPECIFICATIONS

CSD-20Z-1.9G

ELECTRICAL

FREQUENCY RANGE	1.7 TO 2.0 GHz
MEAN COUPLING	20 +/- 1.0 dB
INSERTION LOSS	0.2 dB (MAX)
VSWR	1.3:1 (MAX)
FREQUENCY SENSITIVITY	+/- 0.35 dB (MAX)
DIRECTIVITY	13 dB (MIN)
MAXIMUM INPUT POWER *	100W (MAX)

* CW input pwer, tested in fixture with heat sink at 25° C

MECHANICAL

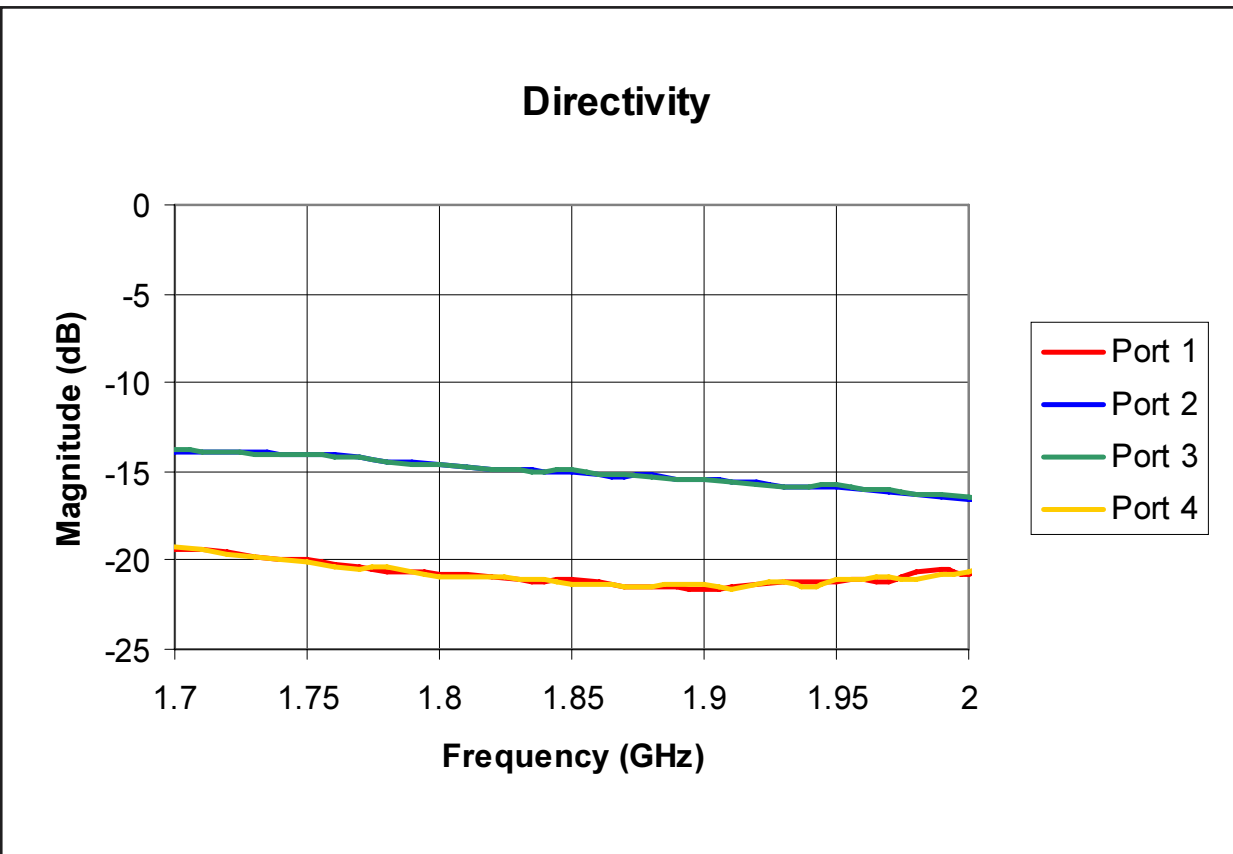
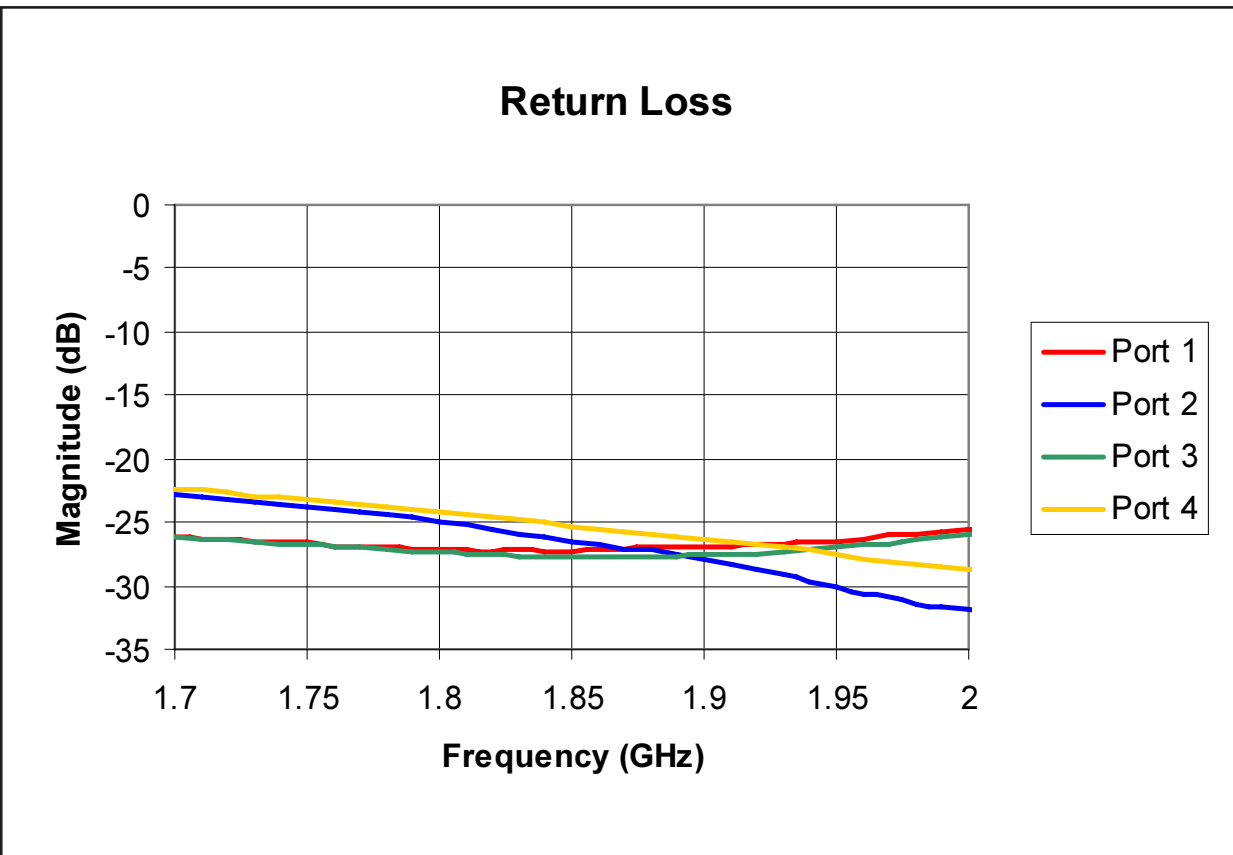
SIZE / OUTLINE	0.18 x 0.18 x 0.075 inches
WEIGHT	0.003 oz.
RF INTERFACE	Surface Mount

ENVIRONMENTAL

OPERATING TEMPERATURE RANGE	-55° To + 85°, C
-----------------------------	------------------

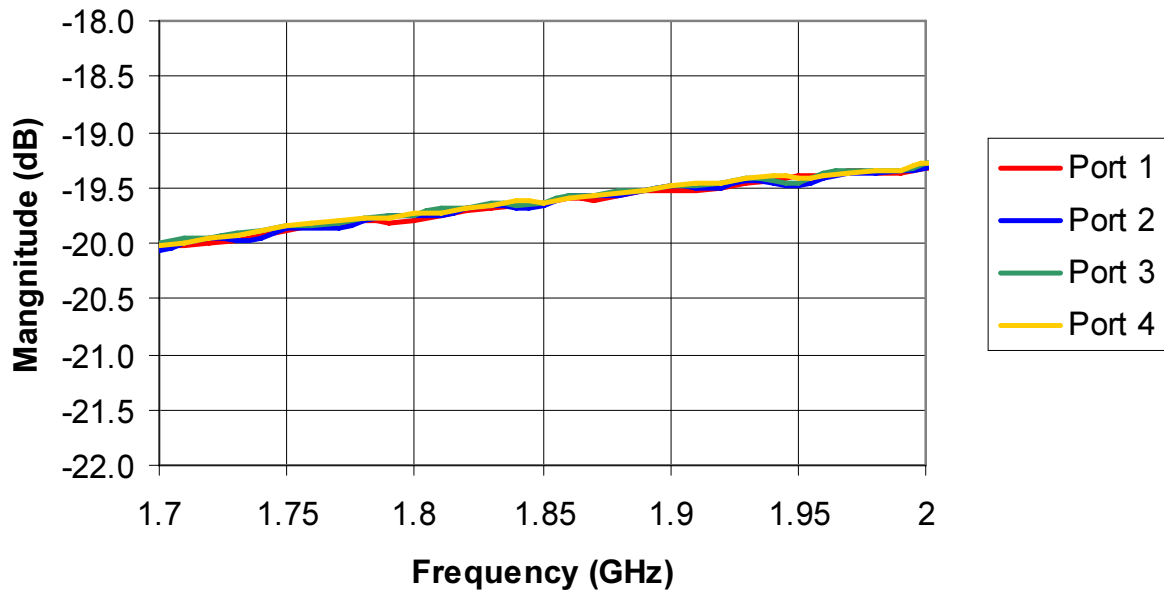
THE MULTI-MIX MICROTECHNOLOGY® GROUP IS ISO-9001 REGISTERED

Merrimac Industries / 41 Fairfield Place, West Caldwell, NJ 07006
Tel: 1.888.434.MMFM / Fax: 973.882.5990 / Email: MMFM@merrimacind.com / www.Multi-Mix.com

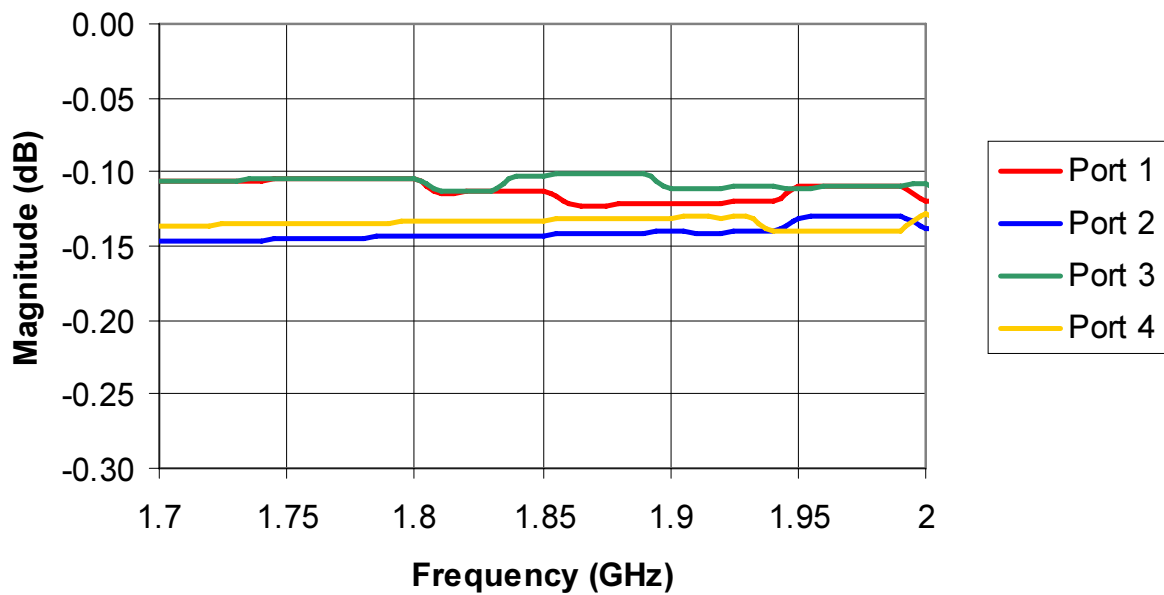


THE MULTI-MIX MICROTECHNOLOGY® GROUP IS ISO-9001 REGISTERED

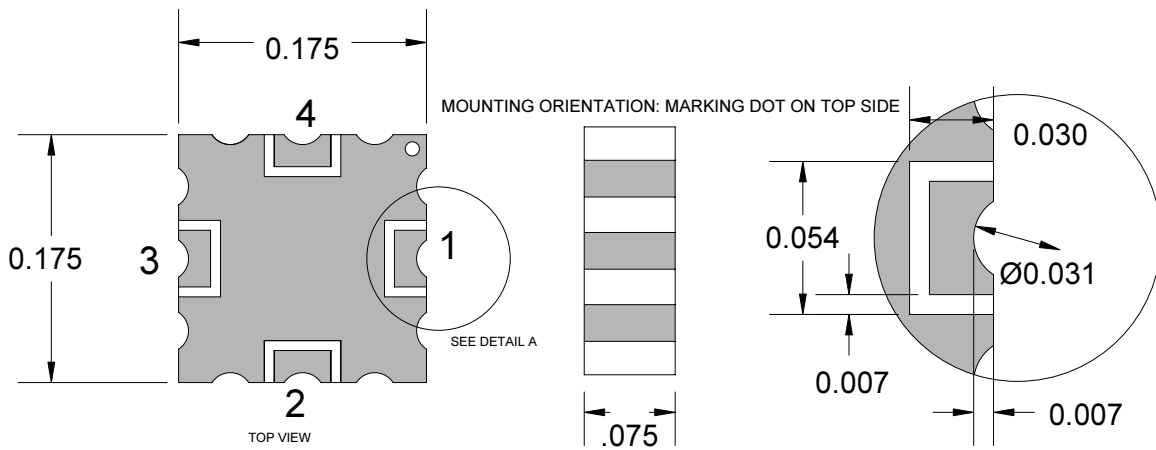
Coupling



Insertion Loss



THE MULTI-MIX MICROTECHNOLOGY® GROUP IS ISO-9001 REGISTERED



NOTES:
 1. ALL DIMENSIONS ARE IN INCHES.
 2. TOLERANCES: -3 PLACE DECIMALS; ±.005.

	1	2	3	4
1	In	Coupled	Out	Isolated
2	Coupled	In	Isolated	Out
3	Out	Isolated	In	Coupled
4	Isolated	Out	Coupled	In

THE MULTI-MIX MICROTECHNOLOGY® GROUP IS ISO-9001 REGISTERED