

Feature

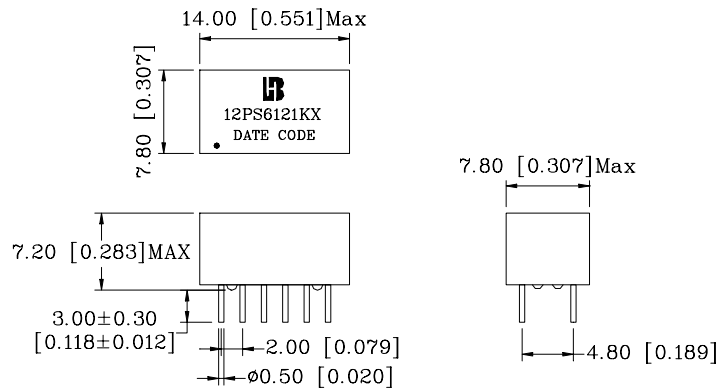
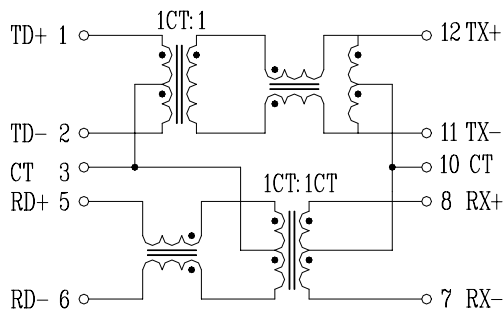


- Operating temperature range: 0°C to +70°C.
- Storage temperature range: -25°C to +125°C.

Electrical Specifications @ 25°C						
Part Number	Turns Ratio (±3%)		OCL (uH Min) @100KHz/0.1V with 8mA DC Bias	Insertion Loss (dB Max)		HI-POT (Vrms)
	RX	TX		1-100MHz		
12PS6121KX	1CT:1CT	1CT:1	350	-1.2		1500
Continue						
Part Number	Return Loss (dB Min)			Cross talk (dB Min)		DCMR (dB Min)
	1-30MHz	50MHz	60-80MHz	1-60MHz	60-100MHz	
12PS6121KX	-16	-13	-11	-40	-35	-35

Schematic

Mechanical



Units: mm[Inches] Tolerances: xx.x0±0.25[0.010]
 0.xx±0.05[0.002]