

M46-307

160mm High Power Twin cone Loudspeaker

- ◆ Silocone treated pressed paper
- ◆ Closed cell foam surround
- ◆ Fitted with secondary high frequency cone
- ◆ Multi hole frame

58-B16.03-01C
Theile Small Parameters:

<i>F_s</i>	76	Hz
<i>R_e</i>	3.8	Ohms
<i>R_{es}</i>	42.8	Ohms
<i>Q_{ms}</i>	11.13	
<i>Q_{es}</i>	0.97	
<i>V_{as}(Sd)</i>	12.05	Litres
<i>M_{ms}</i>	7.32	grams
<i>C_{ms}</i>	586	μm/Newton
<i>Bl</i>	3.7	Tesla-m

Technical Specification:

<i>Magnet Ø</i>	80	mm
<i>Nominal Impedance</i>	4	Ohms
<i>Output S.P.L 1W @ 1m</i>	91 ± 2	dB
<i>Frequency Response</i>	65 - 14000	Hz
<i>Rated Power Input</i>	30	Watts rms
<i>Voice coil Ø</i>	25	mm
<i>Mounting depth (from rear)</i>	78	mm
<i>Speaker weight</i>		g

Remarks:

All adhesives to automotive specification

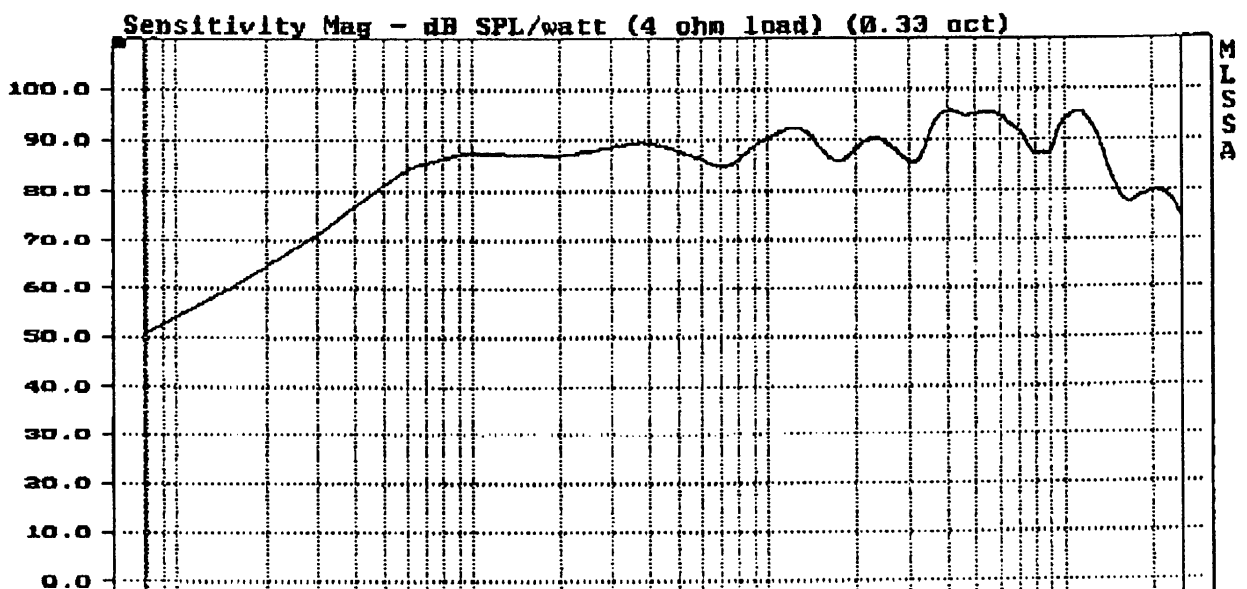
Dual powder pressed steel basket

Supplied as standard with terminal types as follows:

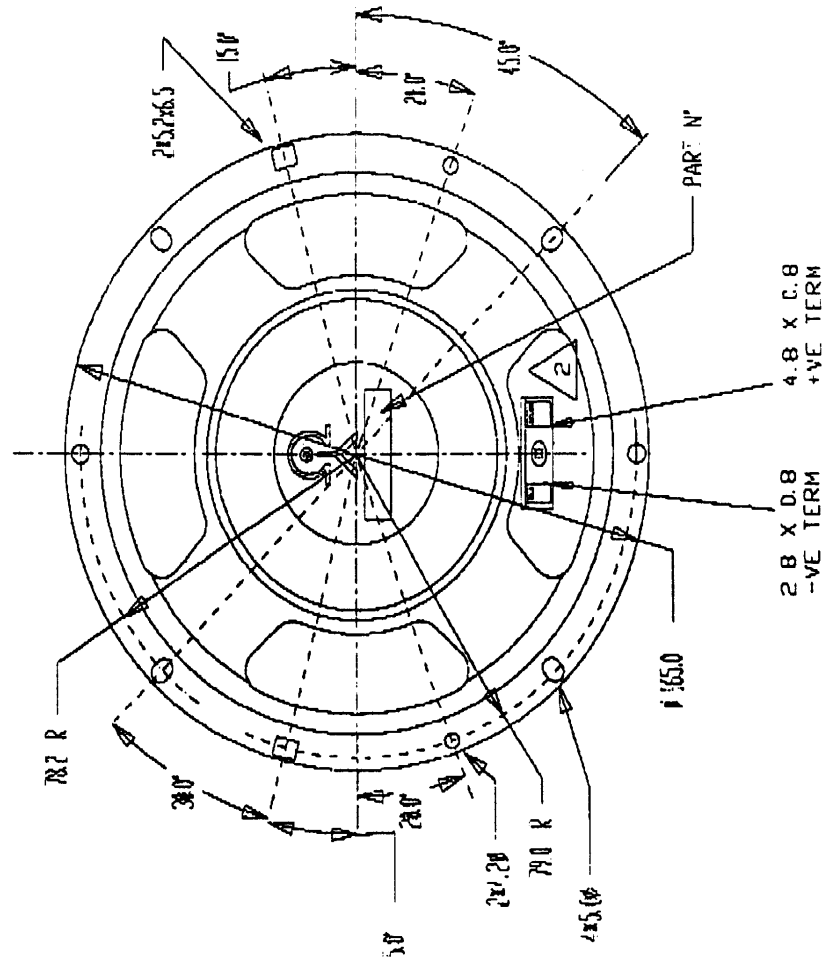
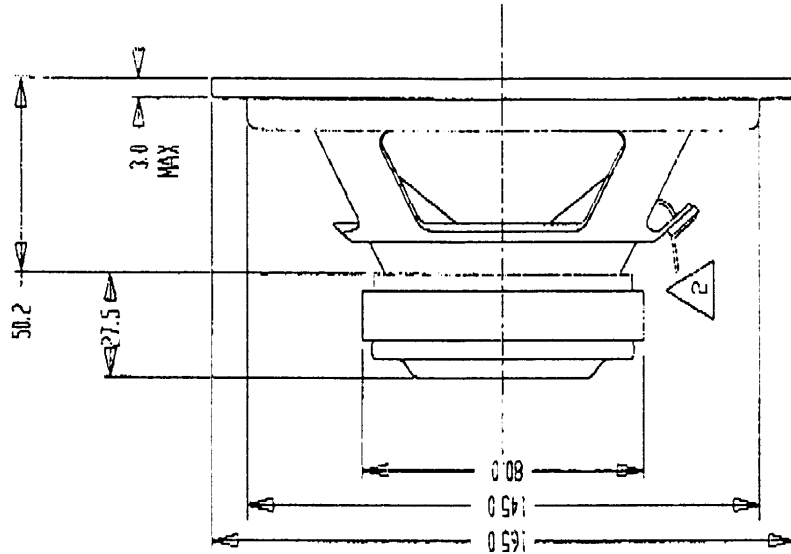
- +Ve : 1 X 4.8mm x 0.8mm
- Ve : 1 X 2.8mm x 0.8mm

After the following tests the speaker operates normally
Load test: 30 Watts of White noise for 24 Hrs

Heat test: 55 ± 2°C for 16 Hrs

Humidity test: 45 ± 2°C for 96 Hrs @ 90% R.H.


CONFIDENTIAL
 THIS DRAWING AND DESIGN IS THE PROPERTY OF
 EUROTEC INTERNATIONAL LTD., AND MUST NOT
 BE DISCLOSED TO ANY PARTY WITHOUT WRITTEN AUTHORITY.



575	2	TAGBOARD CHANGED	24/1/91	LIAM		
374	1	FOR RELEASE	13/5/90	SH		
130	Issue	Change		Date	Author	
THIRD ANGLE PROJECTION				50p	A3	
TO FRANCES UNLESS OTHERWISE STATED:						
ALL DIMENSIONS IN mm			100	515		
DO NOT SCALE			50	110		
			10	50		
			10	10		
			10	5		
			10	5		
Eurotec Int'l Ltd			Liss Hants UK			
Drawn		adrian	Date	13/05/91		
Checked		SARILL	Date	17/05/91		
File Name		816.43				
Drawing Ref:		98135365702				
Description		165mm FULL FL-FLATPOST				
Part No		191N CONE SPEAKER				
		SB-816-03-01C				