

# Ultra Mini Serial Connectors IAM-G41, CAM-G38SD

## FEATURES

1. Ultra-small size realized for 8 pins.
2. It is the most suitable for the connection with PC peripheral equipment with PCs, PDAs, mobile phones and so on.
3. Utilizes a sequential function that slides power supply and signal contact connection timing.
4. Couple/decouple reliability ensured for 3,000 times.
5. Weight : 0.25g (CAM-G38)



## HOW TO ORDER

### 1. IAM-G41

**G41-008-**

1 2 3 4

- 1 Series No. (G41)
- 2 No. of contacts (008 : 8pins)
- 3 Running No. assigned by us
- 4 Cable length (Standard)  
A : 300mm, B : 500mm, C : 800mm  
D : 1000mm, E : 1300mm, F : 1500mm

### 2. CAM-G38SD

**G38SD-008-6517A**

1 2 3

- 1 Series No. (G38SD)
- 2 No. of contacts (008 : 8pins)
- 3 Running No. assigned by us

## SPECIFICATIONS

### ELECTRICAL CHARACTERISTICS

Rated Voltage	AC 5V (rms)
Rated Current	0.5A
Withstanding Voltage	100V AC (rms) 1minute
Insulation Resistance	100MΩ min. (at 500V AC)
Contact Resistance	50mΩ max.

### MECHANICAL CHARACTERISTICS

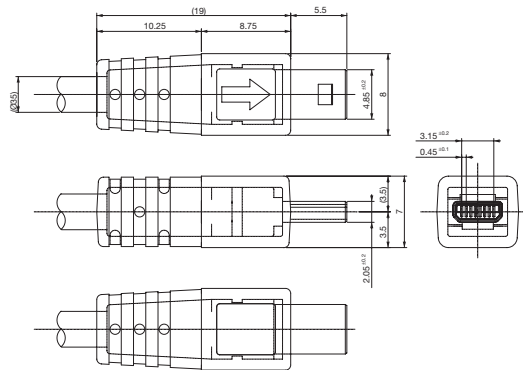
Life (Matching Cycle)	1,500 times
Total Insertion Force	35N (3.57kgf) max.
Total Withdrawal Force	1N (0.1kgf) min.

## MATERIAL & FINISH

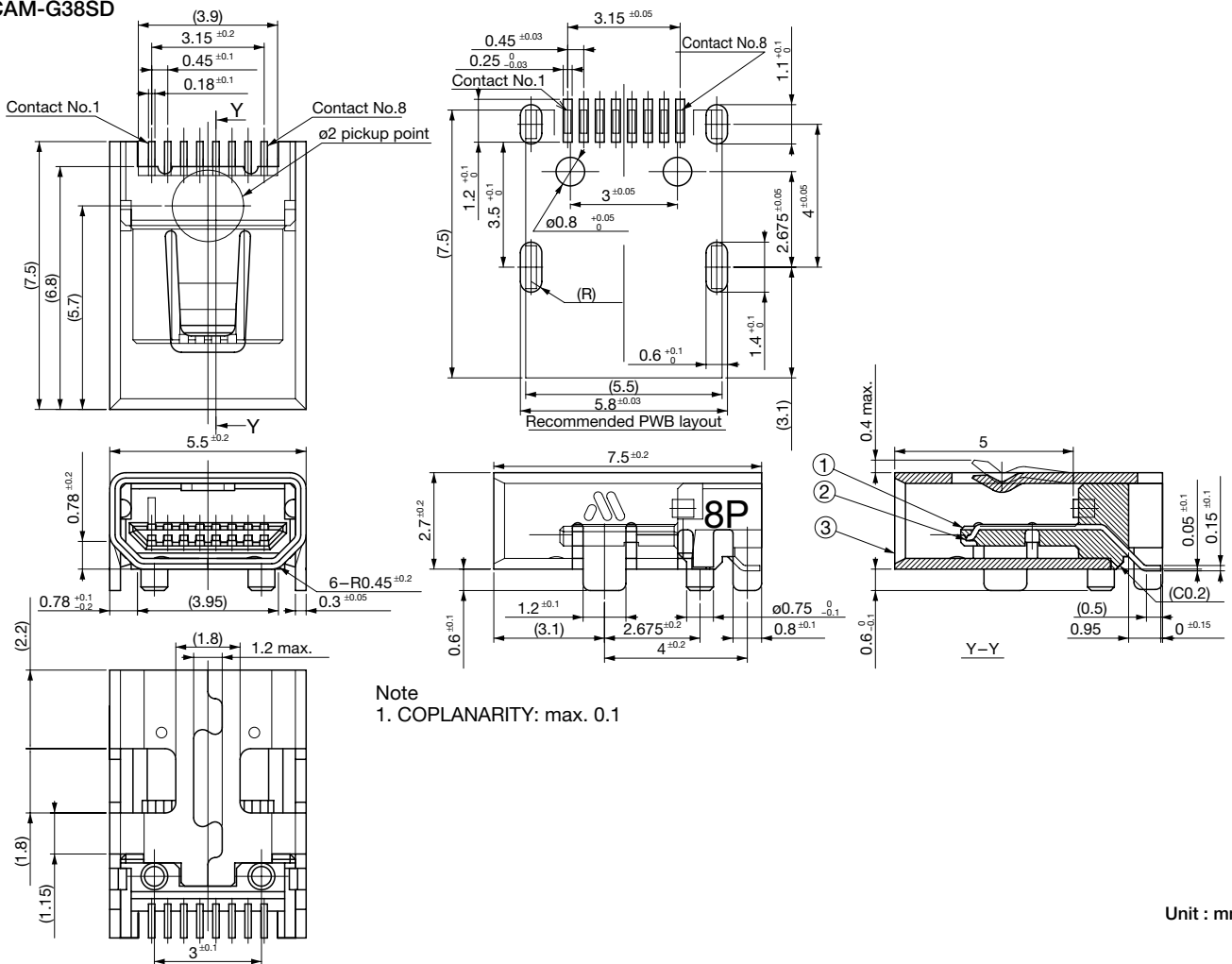
Component parts		Material	Finish
IAM-G41	Housing	Thermo plastic	(Black)
	Contact	Copper alloy	Gold plating
	Shield Case	Steel	Nickel plating
	Over mold	PVC resin	Optional
	Cable	PVC resin	Optional
CAM-G38SD	Housing	Thermo plastic	(Black)
	Contact	Copper alloy	Gold plating
	Shield Case	Copper alloy	Gold flash plating

## DIMENSIONS

IAM-G41



CAM-G38SD



Note  
1. COPLANARITY: max. 0.1

Unit : mm