

Description

32171 Group is a 32-bit, single-chip RISC microcomputer with built-in flash memory, which was developed for use in general industrial and household equipment.

To make full use of microcomputer built-in mass volume flash memory, this microcomputer contains a variety of peripheral functions ranging from two independent blocks of 16-channel A-D converters to 37-channel multifunction timers, 10-channel DMAs, 3-channel serial I/Os, and 1-channel real time debugger. Also included 1-channel Full-CAN modules and JTAG (boundary scan facility).

With lower power consumption and low noise characteristics also considered, these microcomputers are ideal for embedded equipment applications.

Features

M32R RISC CPU core

- Uses the M32R family RISC CPU core (Instruction set common to all microcomputers in the M32R family)
- Five-stage pipelined processing
- Sixteen 32-bit general-purpose registers
- 16-bit/32-bit instructions implemented
- DSP function instructions (sum-of-products calculation using 56-bit accumulator)
- Built-in flash memory
- Built-in flash programming boot program
- Built-in RAM
- PLL clock generating circuit Built-in × 4 PLL circuit
- Maximum operating frequency of the CPU clock
 40MHz(when operating at -40 to +85°C)
 32MHz(when operating at -40 to +125°C)

Table 1 Type Name List (32171 Group)

Type Name	RAM Size	ROM Size
M32171F4VFP	16K bytes	512K bytes
M32171F3VFP	16K bytes	384K bytes
M32171F2VFP	16K bytes	256K bytes

37-channel multijunction timers (MJT)

Multifunction timers are incorporated that support various purposes of use.

- 16-bit output related timers 35ch
- 16-bit input/output related timers 10ch
- 16-bit input related timers 8ch
- 32-bit input related timers 8ch
- Flexible configuration is possible through interconnection of timers.
- The internal DMAC and A-D converter can be started by a timer.

Real-time Debugger

- Includes dedicated clock-synchronized serial I/O that can read and write the contents of the internalRAM independently of the CPU.
- Can look up and update the data table in real time while the program is running.
- Can generate a dedicated interrupt based on RTD communication.

Abundant internal peripheral functions

In addition to the timers and real-time debugger, the microcomputer contains the following peripheral functions.

- DMAC 10 channels
- A-D converter 10-bit converter × 16 channels
- Serial I/O 3 channels
- Interrupt controller 22 interrupt sources, 8 priority levels
- Wait controller
- Full CAN 1 channel
- JTAG (Boundary scan function, Mitsubishi original)

Designed to operate at high temperatures

To meet the need for use at high temperatures, the microcomputer is designed to be able to operate in the temperature range of -40 to +125°C when CPU clock operating frequency = 32 MHz. When CPU clock operating frequency = 40 MHz, the microcomputer can be used in the temperature range of -40 to +85°C.

Note: This does not guarantee continuous operation at 125°C. If you are considering use of the microcomputer at 125°C, please consult Mitsubishi.

Applications

Automobile equipment control (e.g., Engine, ABS, AT), industrial equipment system control, and high-function OA equipment (e.g., PPC)

32171 Group

SINGLE-CHIP 32-BIT CMOS MICROCOMPUTER

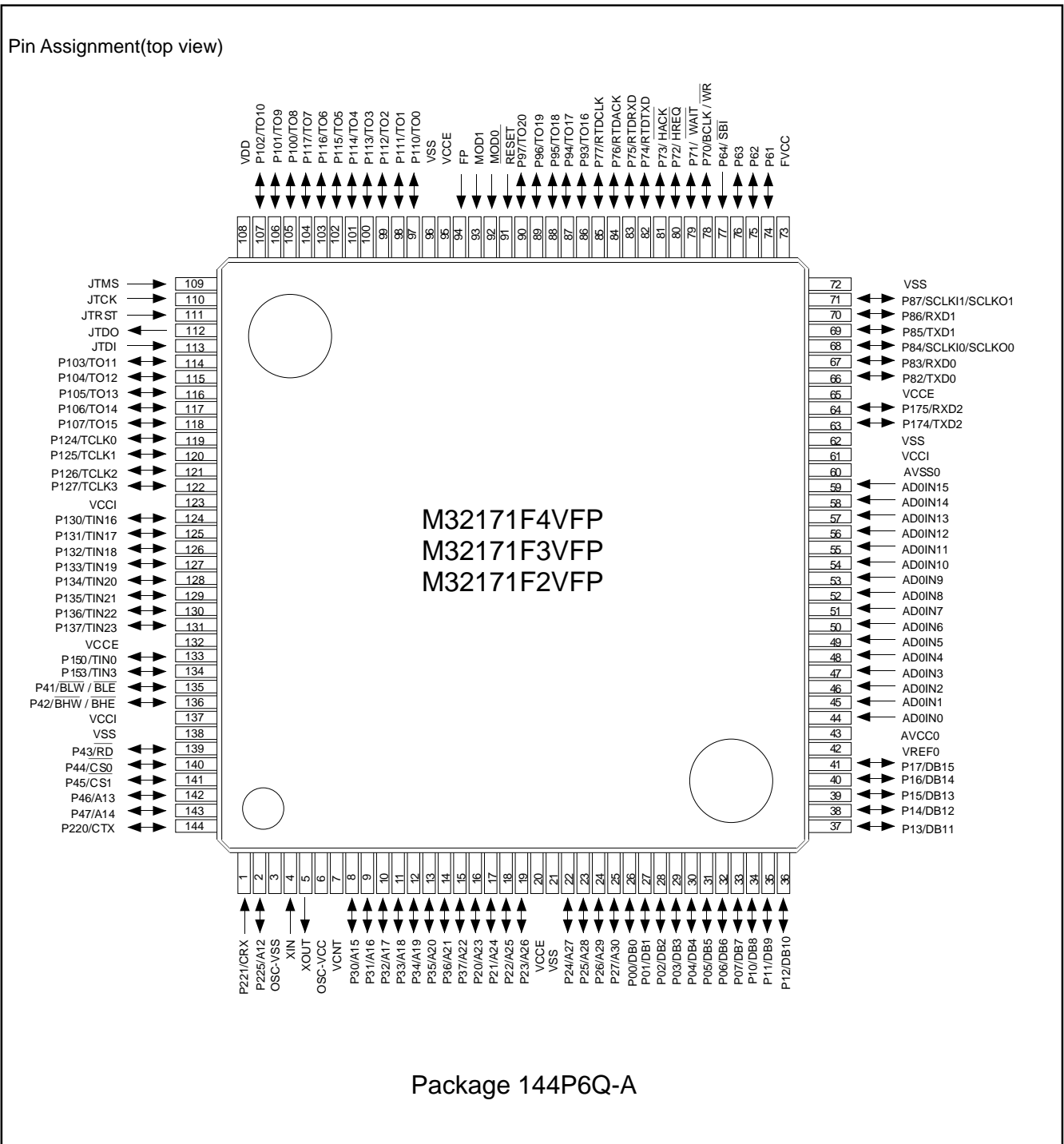


Figure 1 Pin Layout Diagram of the M32171

32171 Group

SINGLE-CHIP 32-BIT CMOS MICROCOMPUTER

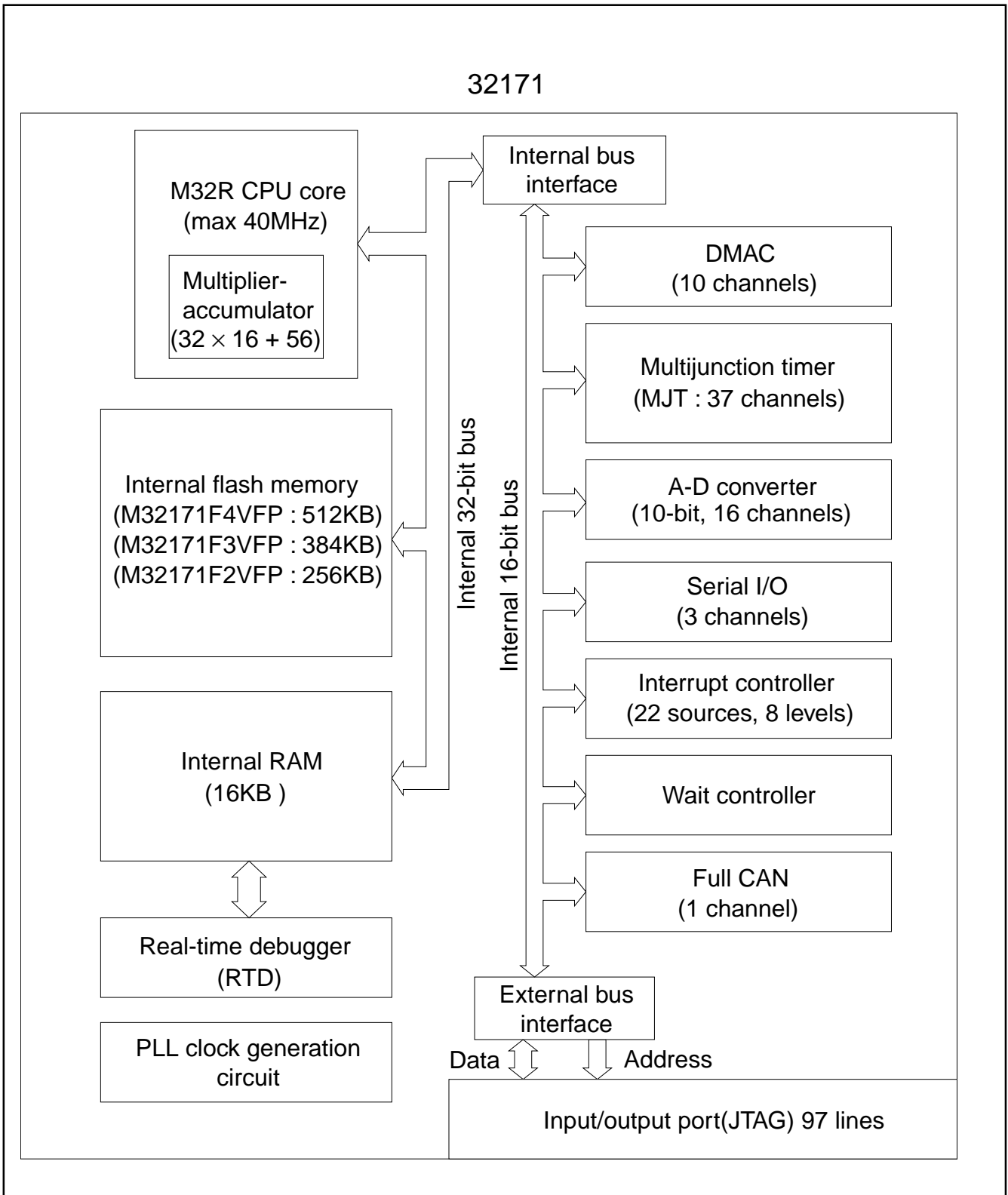


Figure 2 Block diagram

Table 2 Outline Performance (1/2)

Functional Block	Features
M32R CPU core	M32R family CPU core, internally configured in 32 bits Built-in multiplier-accumulator (32 × 16 + 56) Basic bus cycle : 25 ns (CPU clock frequency at 40 MHz, Internal peripheral clock frequency at 20 MHz) Logical address space : 4G bytes, linear General-purpose register : 32-bit register × 16, Control register: 32-bit register × 5 accumulator : 56 bits
External data bus	16 bits data bus
Instruction set	16-bit/32-bit instruction formats 83 instructions/ 9 addressing modes
Internal flash memory	M32171F4VFP : 512K bytes M32171F3VFP : 384K bytes M32171F2VFP : 256K bytes Rewrite durability : 100 times
Internal RAM	16K bytes
DMAC	10 channels (DMA transfers between internal peripheral I/Os, between internal peripheral I/O and internal RAM, and between internal RAMs) Channels can be cascaded and can operate in combination with internal peripheral I/O
Multijunction timer	37 channels of multijunction timers <ul style="list-style-type: none"> • 16-bit output-related timers × 11 channels (single-shot, delayed single-shot) • 16-bit input/output-related timers × 10 channels (event count mode, single-shot, PWM, measurement) • 16-bit input-related timers × 8 channels (measurement, event count mode) • 32-bit input-related timers × 8 channels (measurement) Flexible timer configuration is possible through interconnection of channels using the event bus.
A-D converter	10-bit multifunction A-D converters <ul style="list-style-type: none"> • Input 16 channels • Scan-based conversion can be switched with 4, 8, and 16 • Capable of interrupt conversion during scan • 8-bit/10-bit readout function available
Serial I/O	3 channels (The serial I/Os can be set for synchronous serial I/O or UART. SIO2 is UART mode only)
Real-time debugger (RTD)	1-channels dedicated clock-synchronized serial <ul style="list-style-type: none"> • The entire internal RAM can be read or rewritten from the outside without CPU intervention
Interrupt controller	Controls interrupts from internal peripheral I/Os (Priority can be set to one of 8 levels including interrupt disabled)
Wait controller	Controls wait when accessing external extended area (1 to 4 wait cycles inserted + prolonged by external WAIT signal input)
CAN	16-channels message slots
JTAG	Boundary-Scan function

32171 Group

SINGLE-CHIP 32-BIT CMOS MICROCOMPUTER

Table 1 Outline Performance (2/2)

Function Block	Features
Clock	Maximum internal CPU memory clock : 40MHz (access to CPU, internal ROM, and internal RAM) Maximum internal peripheral clock : 20MHz (access to internal peripheral module) Maximum external input clock : 10.0MHz, Built-in multiply-by-4 PLL circuit
Power Supply Voltage	External I/O : 5V ($\pm 0.5V$) or 3.3V ($\pm 0.3V$) Internal logic : 3.3V ($\pm 0.3V$)
Operating temperature rang	-40 to +125°C (CPU memory clock 32MHz , internal peripheral clock 16MHz) -40 to +85°C (CPU memory clock 40MHz , internal peripheral clock 20MHz)
Package	0.5mm pitches / 144-pin plastic LQFP

32171 Group

SINGLE-CHIP 32-BIT CMOS MICROCOMPUTER

Outline of the CPU core

The M32171 Group uses the M32R RISC CPU core, and has an instruction set which is common to all microcomputers in the M32R family.

Instructions are processed in five pipelined stages consisting of instruction fetch, decode, execution, memory access, and write back. Thanks to its "out-of-order-completion" mechanism, the M32R CPU allows for clock cycle efficient, instruction execution control.

The M32R CPU internally has sixteen 32-bit general-purpose registers. The instruction set consists of 83 discrete instructions, which come in either a 16-bit instruction or a 32-bit instruction format. Use of the 16-bit instruction format helps to reduce the code size of a program. Also, the availability of 32-bit instructions facilitates programming and increases the performance at the same clock speed, as compared to architectures with segmented address spaces.

Sum-of-products instructions comparable to DSP

The M32R CPU contains a multiplier/accumulator that can execute $32 \text{ bits} \times 16 \text{ bits}$ in one cycle. Therefore, it executes a $32 \text{ bit} \times 32 \text{ bit}$ integer multiplication instruction in three cycles. Also, the M32R CPU supports the following four sum-of-products instructions (or multiplication instructions) for DSP function use.

- (1) $16 \text{ high-order register bits} \times 16 \text{ high-order register bits}$
- (2) $16 \text{ low-order register bits} \times 16 \text{ low-order register bits}$
- (3) $\text{All } 32 \text{ register bits} \times 16 \text{ high-order register bits}$
- (4) $\text{All } 32 \text{ register bits} \times 16 \text{ low-order register bits}$

Furthermore, the M32R CPU has instructions for rounding the value stored in the accumulator to 16 or 32 bits, and instructions for shifting the accumulator value to adjust digits before storing in a register. Because these instructions also can be executed in one cycle, DSP comparable data processing capability can be obtained by using them in combination with high-speed data transfer instructions such as Load & Address Update or Store & Address Update.

Three operation modes

The M32170 and M32174 Group has three operation modes: single-chip mode, external extended mode, and processor mode. These operation modes are changed from one to another by setting the MOD0 and MOD1 pins.

Address space

The M32171 Group's logical addresses are always handled in 32 bits, providing 4 Gbytes of linear address space. The M32171 Group's address space consists of the following.

User space

A 2-Gbyte area from H'0000 0000 to H'7FFF FFFF is the user space. Located in this space are the user ROM area, external extended area, internal RAM area, and SFR (Special Function Register) area (internal peripheral I/O registers). Of these, the user ROM area and external extended area are located differently depending on mode settings.

Boot program space

A 1-Gbyte area from H'8000 0000 to H'BFFF FFFF is the boot program area. This space contains the on-board programming program (boot program) used in blank state by the internal flash memory.

System space

A 1-Gbyte area from H'C000 0000 to H'FFFF FFFF is the system area. This space is reserved for use by development tools such as an in-circuit emulator and debug monitor, and cannot be used by the user.

32171 Group

SINGLE-CHIP 32-BIT CMOS MICROCOMPUTER

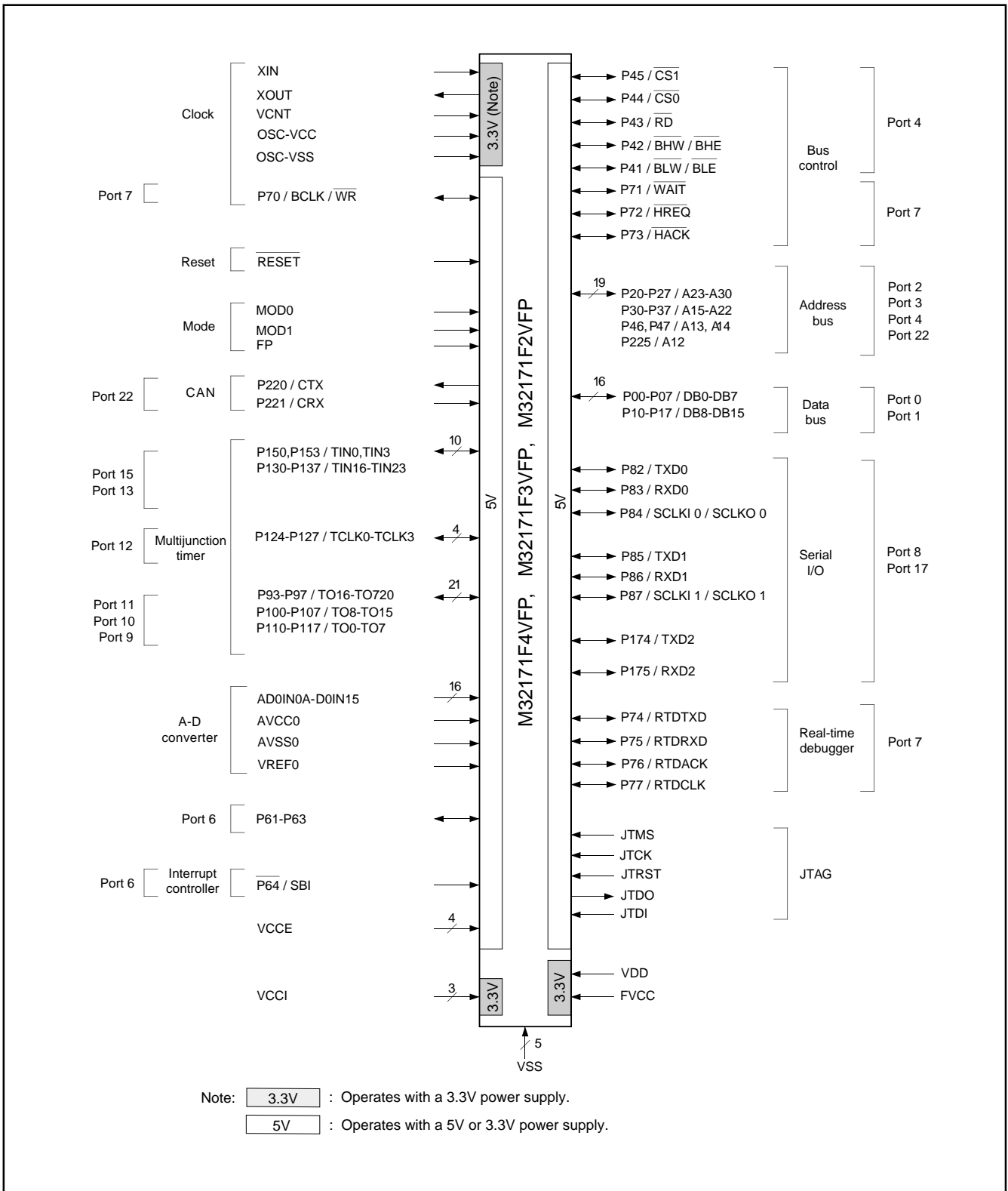


Figure 3 Pin Function Diagram of 240QFP

32171 Group

SINGLE-CHIP 32-BIT CMOS MICROCOMPUTER

Table 4 Description of Pin Function (1/4)

Type	Pin Name	Description	Input/Output	Function															
Power supply	VCCE	Power supply	—	Supplies power (5 V or 3.3V) to external I/O ports.															
	VCCI	Power supply	—	Supplies power (3.3 V) to the internal logic.															
	VDD	RAM power supply	—	Internal RAM backup power supply (3.3 V).															
	FVCC	Flash power supply	—	Internal flash memory backup power supply (3.3 V).															
	VSS	Ground	—	Connect all VSS pins to ground (GND).															
Clock	XIN, XOUT	Clock	Input Output	Clock input/output pins. These pins contain a PLL-based frequency multiply-by-4, so input the clock whose frequency is quarter the operating frequency. (XIN input = 10 MHz when CPU clock operates at 40 MHz)															
	BCLK / \overline{WR}	System clock	Output	When this signal is System Clock(BCLK), it outputs a clock whose is twice that of external input clock. (BCLK output = 20 MHz when CPU clock operates at 40 MHz). Use this clock when circuits are synchronized externally. When this signal is Write(\overline{WR}), during external write access it indicates the valid data on the data bus to transfer.															
	OSC-VCC	Power supply	—	Power supply to the PLL circuit. Connect OSC-VCC to the power supply(3.3V)															
	OSC-VSS	Ground	—	Connect OSC-VSS to ground.															
	VCNT	PLL control	Input	This pin controls the PLL circuit. Connect a resistor and capacitor to this pin.															
Reset	\overline{RESET}	Reset	Input	This pin resets the internal circuits.															
Mode	MOD0 MOD1	Mode	Input	These pins set an operation mode. <table border="1" style="margin-left: auto; margin-right: auto;"> <thead> <tr> <th>MOD0</th> <th>MOD1</th> <th>Mode</th> </tr> </thead> <tbody> <tr> <td>0</td> <td>0</td> <td>Single-chip mode</td> </tr> <tr> <td>0</td> <td>1</td> <td>Expanded external mode</td> </tr> <tr> <td>1</td> <td>0</td> <td>Processor mode (Boot mode) (Note)</td> </tr> <tr> <td>1</td> <td>1</td> <td>(Reserved)</td> </tr> </tbody> </table>	MOD0	MOD1	Mode	0	0	Single-chip mode	0	1	Expanded external mode	1	0	Processor mode (Boot mode) (Note)	1	1	(Reserved)
	MOD0	MOD1	Mode																
	0	0	Single-chip mode																
	0	1	Expanded external mode																
	1	0	Processor mode (Boot mode) (Note)																
1	1	(Reserved)																	
Address bus	A12-A30	Address bus	Output	19 lines of address bus (A12-A30) are provided to accommodate two channels of 1 MB memory space (max.) connected external to the chip. A31 is not output. In the write cycle, of the 16-bit data bus the valid byte positions to write are output as BHW/ BHE and BLW/ BLE. In read cycle, data on the entire 16-bit data bus is read. However, only the data at the valid byte positions are transferred to the M32R's internal circuit.															
Data bus	DB0-DB15	Data bus	Input/output	This 16-bit data bus connects to external device.															

Note: FP pin should be "H" level in Boot Mode.

Table 5 Description of Pin Function (2/4)

Type	Pin type	Description	Input/Output	Function
Bus control	$\overline{CS0}$, CS1	Chip select	Output	Chip select signals for external devices.
	\overline{RD}	Read	Output	This signal is output when reading external devices.
	\overline{BHW} / \overline{BHE}	Byte high write	Output	Indicates the byte positions to which valid are transferred when writing to external devices. \overline{BHW} / \overline{BHE} and \overline{BLW} / \overline{BLE} correspond to the upper address side(D0-D7 effective) and the lower address side(D8-D15 effective),respectivel.
	\overline{BLW} / \overline{BLE}	Byte low write	Output	
	\overline{WAIT}	Wait	Input	If \overline{WAIT} input is low when the M32R accesses external devices, the wait cycle extended.
	\overline{HREQ}	Hold request	Input	This pin is used by an external device to request control of the external bus. The M32R goes to a hold state when \overline{HREQ} input is pulled low.
	\overline{HACK}	Hold acknowledge	Output	This signal indicates to the external device that the M32R has entered a hold state and relinquished control of the external bus.
Multijunction timer	TIN0, TIN3 TIN16-TIN23	Timer input	Input	Input pins for multijunction timer.
	TO0 -TO20	Timer output	Output	Output pins for multijunction timer.
	TCLK0 -TCLK3	Timer clock	Input	Clock input pins for multijunction timer.
A-D converter	AVCC0,	Analog power supply	–	AVCC0 is the power supply for the A-D0 converters.Connect AVCC0 to the power supply (5V or 3.3V).
	AVSS0	Analog ground	–	AVSS0 is the analog ground for the A-D0 converters. Connect AVCC0 to ground
	AD0IN0 -AD0IN15	Analog input	Input	16-channel analog input pin for A-D0 converter.
	VREF0	Reference voltage input	Input	VREF0 is the reference voltage input pin (5V or 3.3V) for the A-D0 converters.
Interrupt controller	\overline{SBI}	System break interrupt	Input	System break interrupt(SBI) input pin of the interrupt controller.

Table 6 Description of Pin Functions (3/4)

Type	Pin name	Description	Input/output	Function	
Serial I/O	SCLKI0/ SCLKO0	UART transmit/ receive clock output or CSIO transmit/receive clock input/output	Input/output	When channel 0 is in UART mode: Clock output derived from BRG output by dividing it by 2 When channel 0 is in CSIO mode: Transmit/receive clock input when external clock is selected Transmit/receive clock output when internal clock is selected	
	SCLKI1/ SCLKO1	UART transmit/ receive clock output or CSIO transmit/receive clock input/output	Input/output	When channel 1 is in UART mode: Clock output derived from BRG output by dividing it by 2 When channel 1 is in CSIO mode: Transmit/receive clock input when external clock is selected Transmit/receive clock output when internal clock is selected	
	TXD0	Transmit data	Output	Transmit data output pin for serial I/O channel 0	
	RXD0	Receive data	Input	Receive data input pin for serial I/O channel 0	
	TXD1	Transmit data	Output	Transmit data output pin for serial I/O channel 1	
	RXD1	Receive data	Input	Receive data input pin for serial I/O channel 1	
	TXD2	Transmit data	Output	Transmit data output pin for serial I/O channel 2	
	RXD2	Receive data	Input	Receive data input pin for serial I/O channel 2	
	Real-Time Debugger	RTDTXD	Transmit data	Output	Serial data output pin of the real-time debugger
		RTDRXD	Receive data	Input	Serial data input pin of the real-time debugger
		RTDCLK	Clock input	Input	Serial data transmit/receive clock input pin of the real-time debugger
		RTDACK	Acknowledge	Output	This pin outputs a low pulse synchronously with the real-time debugger's first clock of serial data output word. The low pulse width indicates the type of the command/data the real-time debugger has received.
Flash-only	FP	Flash protect	Input	This pin protects the flash memory against E/W in hardware.	
CAN	CTX	Transmit data	Output	Data output pin from CAN module.	
	CRX	Receive data	Input	Data input pin to CAN module.	
JTAG	JTMS	Test mode	Input	Test select input for controlling the test circuit's state transition	
	JTCK	Clock	Input	Clock input to the debugger module and test circuit.	
	JTRST	Test reset	Input	Test reset input for initializing the test circuit asynchronously.	
	JTDO	Serial output	Output	Serial output of test instruction code or test data.	
	JTDI	Serial input	Input	Serial input of test instruction code or test data.	

32171 Group

SINGLE-CHIP 32-BIT CMOS MICROCOMPUTER

Table 7 Description of Pin Functions (4/4)

Type	Pin name	Description	Input/output	Function
Input/ output port (Note)	P00-P07	Input/output port 0	Input/output	Programmable input/output port.
	P10-P17	Input/output port 1	Input/output	Programmable input/output port.
	P20-P27	Input/output port 2	Input/output	Programmable input/output port.
	P30-P37	Input/output port 3	Input/output	Programmable input/output port.
	P41-P47	Input/output port 4	Input/output	Programmable input/output port.
	P61-P64	Input/output port 6	Input/output	Programmable input/output port. (However, P64 is an input-only port)
	P70-P77	Input/output port 7	Input/output	Programmable input/output port.
	P82-P87	Input/output port 8	Input/output	Programmable input/output port.
	P93-P97	Input/output port 9	Input/output	Programmable input/output port.
	P100 -P107	Input/output port 10	Input/output	Programmable input/output port.
	P110 -P117	Input/output port 11	Input/output	Programmable input/output port.
	P124 -P127	Input/output port 12	Input/output	Programmable input/output port.
	P130 -P137	Input/output port 13	Input/output	Programmable input/output port.
	P150, P153	Input/output port 15	Input/output	Programmable input/output port.
	P174, P175	Input/output port 17	Input/output	Programmable input/output port.
	P220, P221, P225	Input/output port 22	Input/output	Programmable input/output port. (However, P221 is an input-only port)

Note: Input/output port 5 is reserved for future use.

Input/output ports 14, 16, 18, 19, 20, and 21 do not exist.

32171 Group

SINGLE-CHIP 32-BIT CMOS MICROCOMPUTER

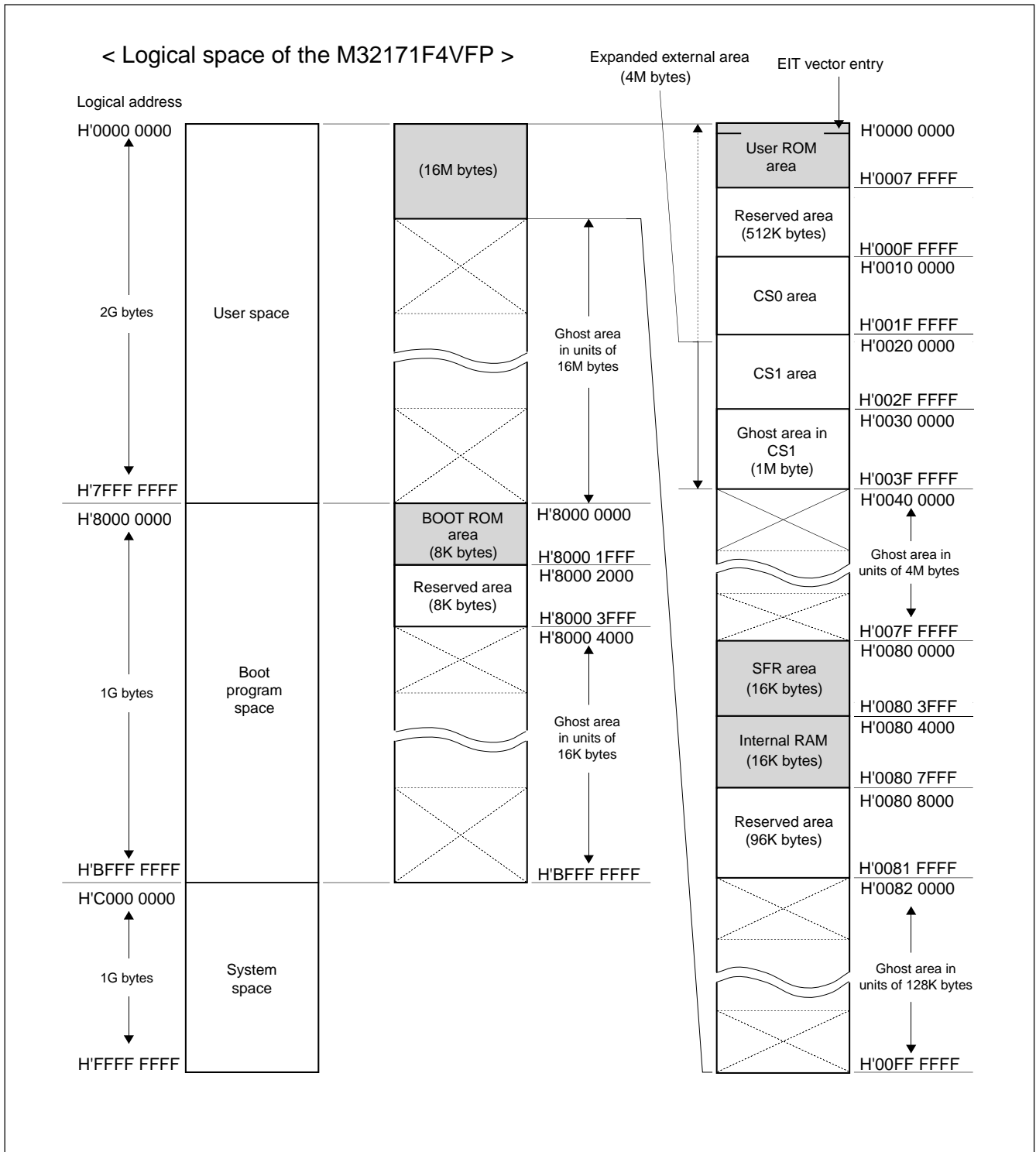


Figure 4 Address Space of the M32171F4VFP

32171 Group

SINGLE-CHIP 32-BIT CMOS MICROCOMPUTER

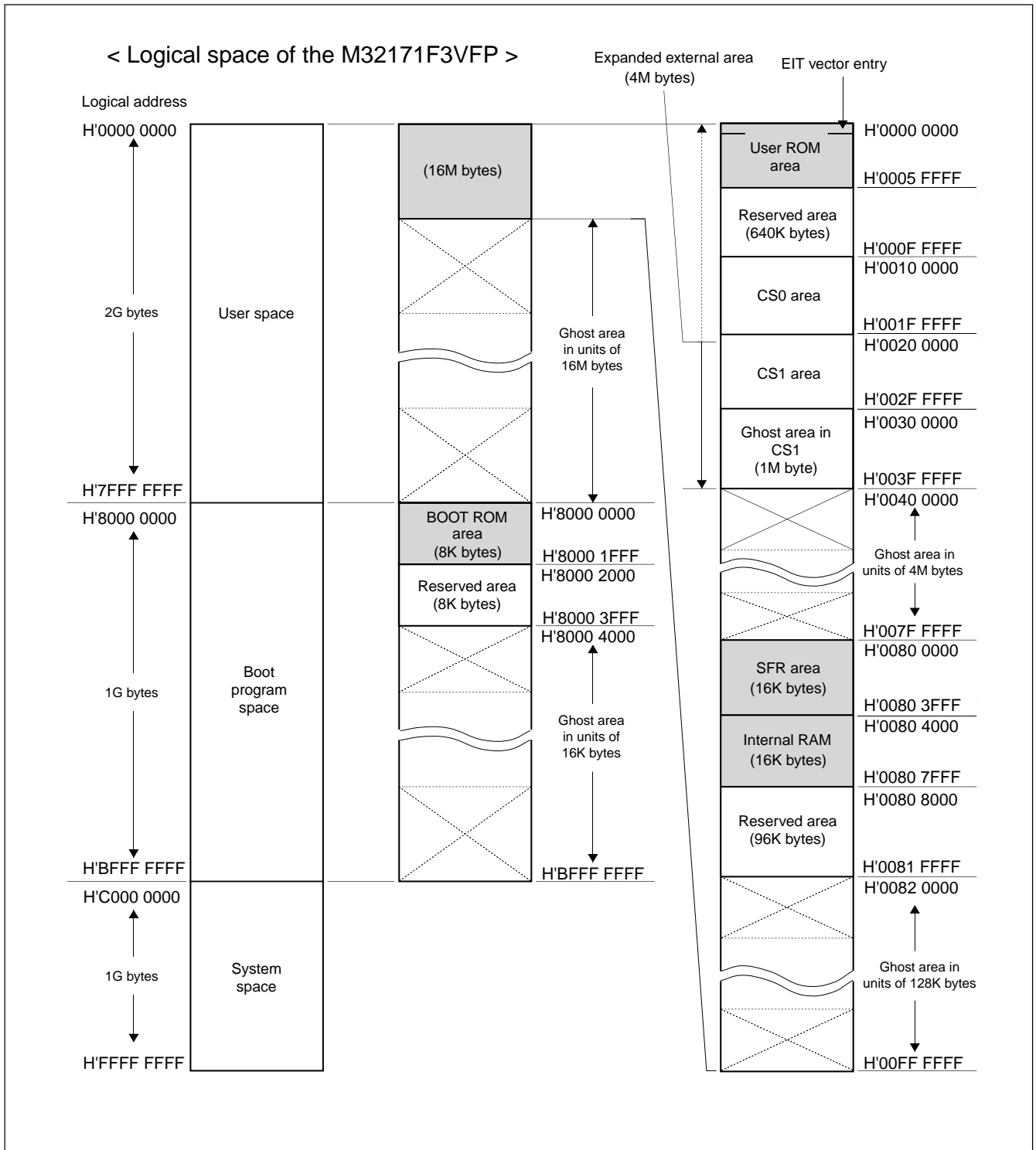


Figure 5 Address Space of the M32171F3VFP

32171 Group

SINGLE-CHIP 32-BIT CMOS MICROCOMPUTER

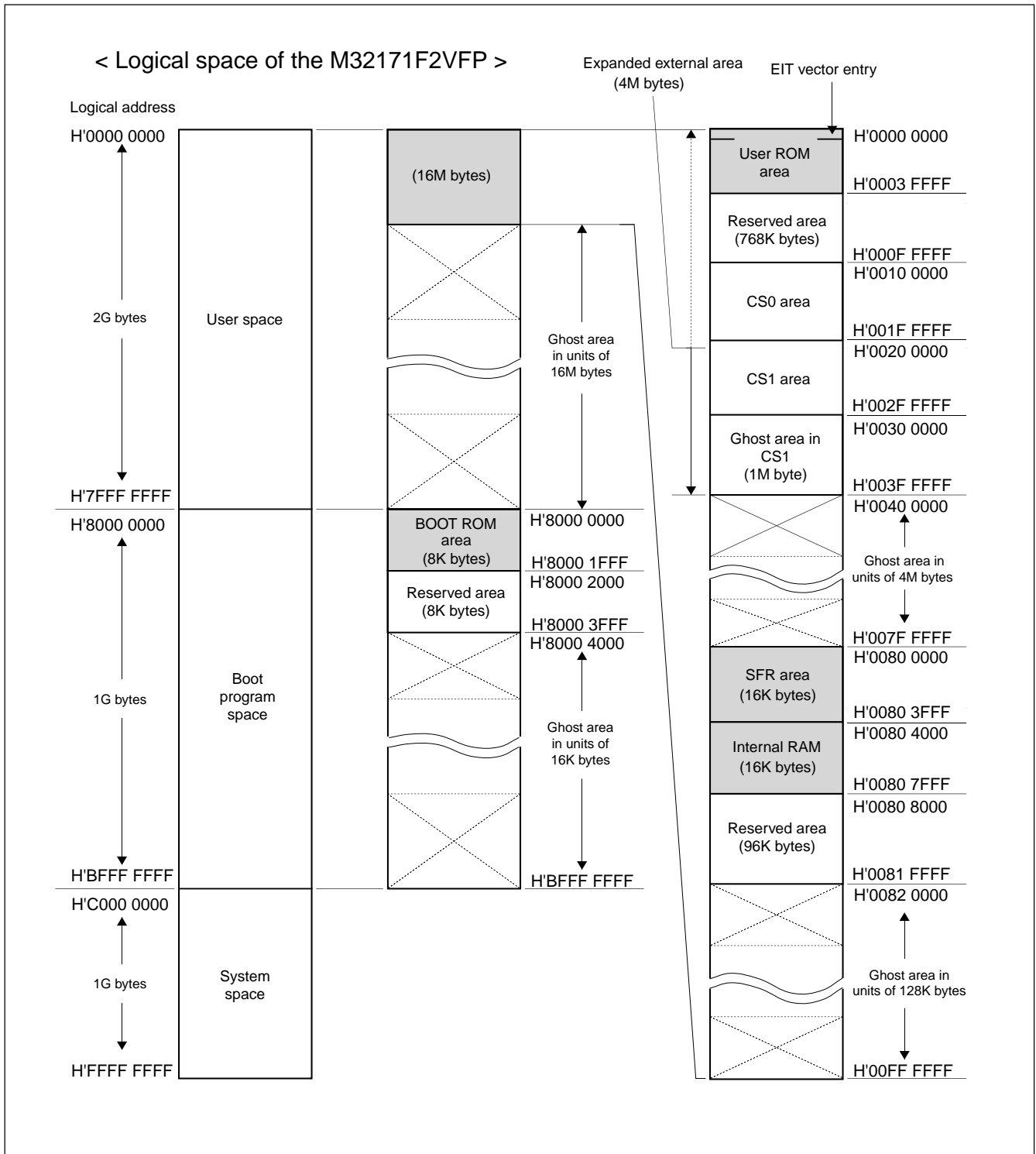


Figure 6 Address Space of the M32171F2VFP

32171 Group

SINGLE-CHIP 32-BIT CMOS MICROCOMPUTER

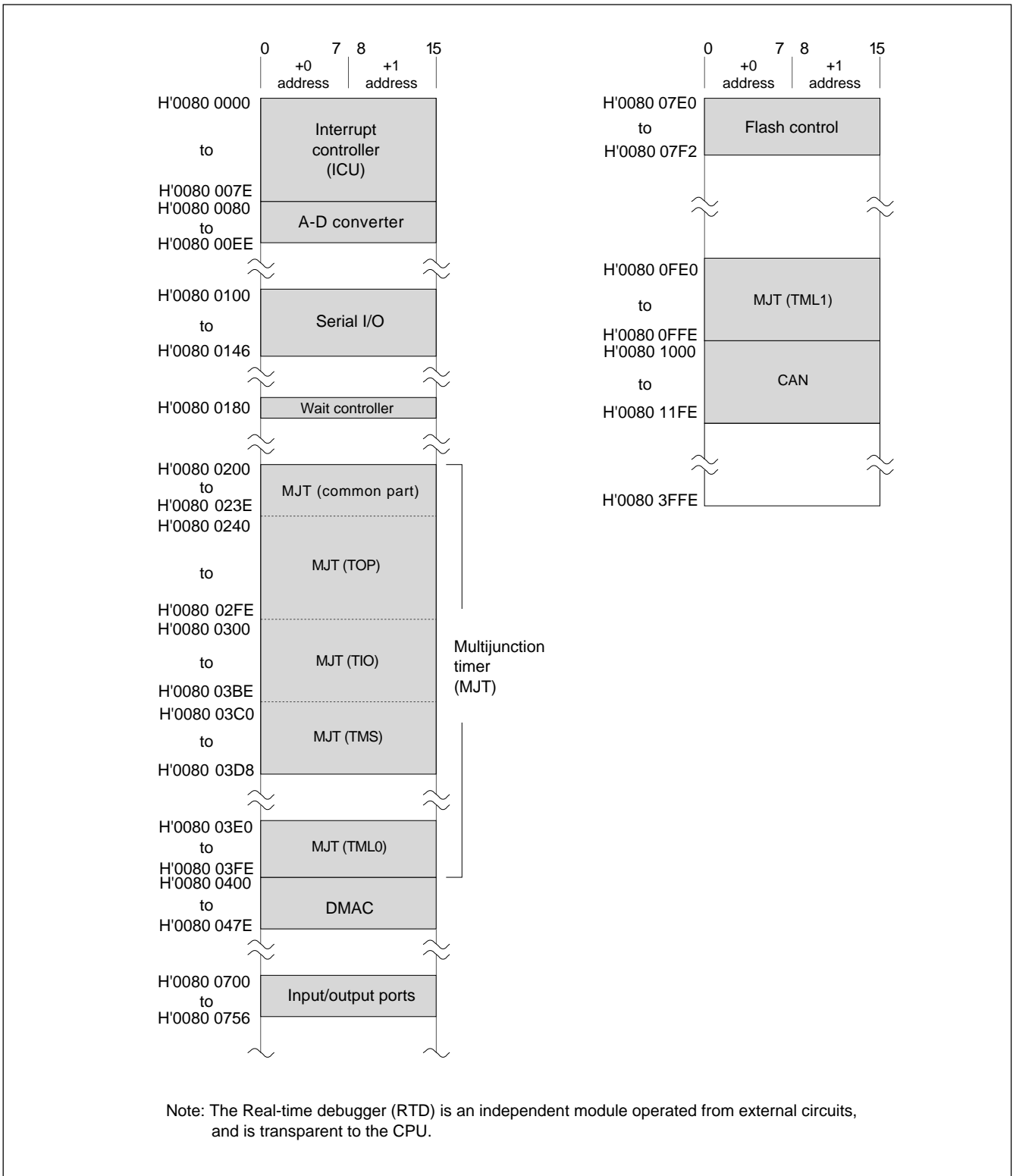


Figure 7 SFR Area

32171 Group

SINGLE-CHIP 32-BIT CMOS MICROCOMPUTER

Built-in Flash Memory and RAM

The M32171F4VFP contains 512-Kbyte flash memory and 16-Kbyte RAM. The M32171F3VFP contains 384-Kbyte flash memory and 16-Kbyte RAM. The M32171F2VFP contains 256-Kbyte flash memory and 16-Kbyte RAM.

The internal flash memory can be programmed on-board (i.e., while being mounted on the printed circuit board). This means that the same chip as will be used in mass-production can be used directly from the development stage on, allowing for system development without having to change the printed circuit board when proceeding from trial production to mass-production.

Built-in Virtual-Flash Emulation Function

Internal flash memory, which is divided from the first address in units of 8 Kbyte (L banks), can be replaced in 8 -Kbyte blocks (H70080 4000-H'0080 5FFF) from the beginning of the internal RAM. And also the internal flash memory, which is divided from the first address in units of 4-Kbyte area (All S banks), can be replaced within two 4 Kbytes areas (H'0080 6000-H'0080 7FFF).

This function allows parts of the program which are frequently changed during development to be altered or evaluated without having to reset the microcomputer each time. What's more, when combined with the realtime debugger, this function helps to reduce the program evaluation period, because data in the RAM can be rewritten without requiring any CPU load.

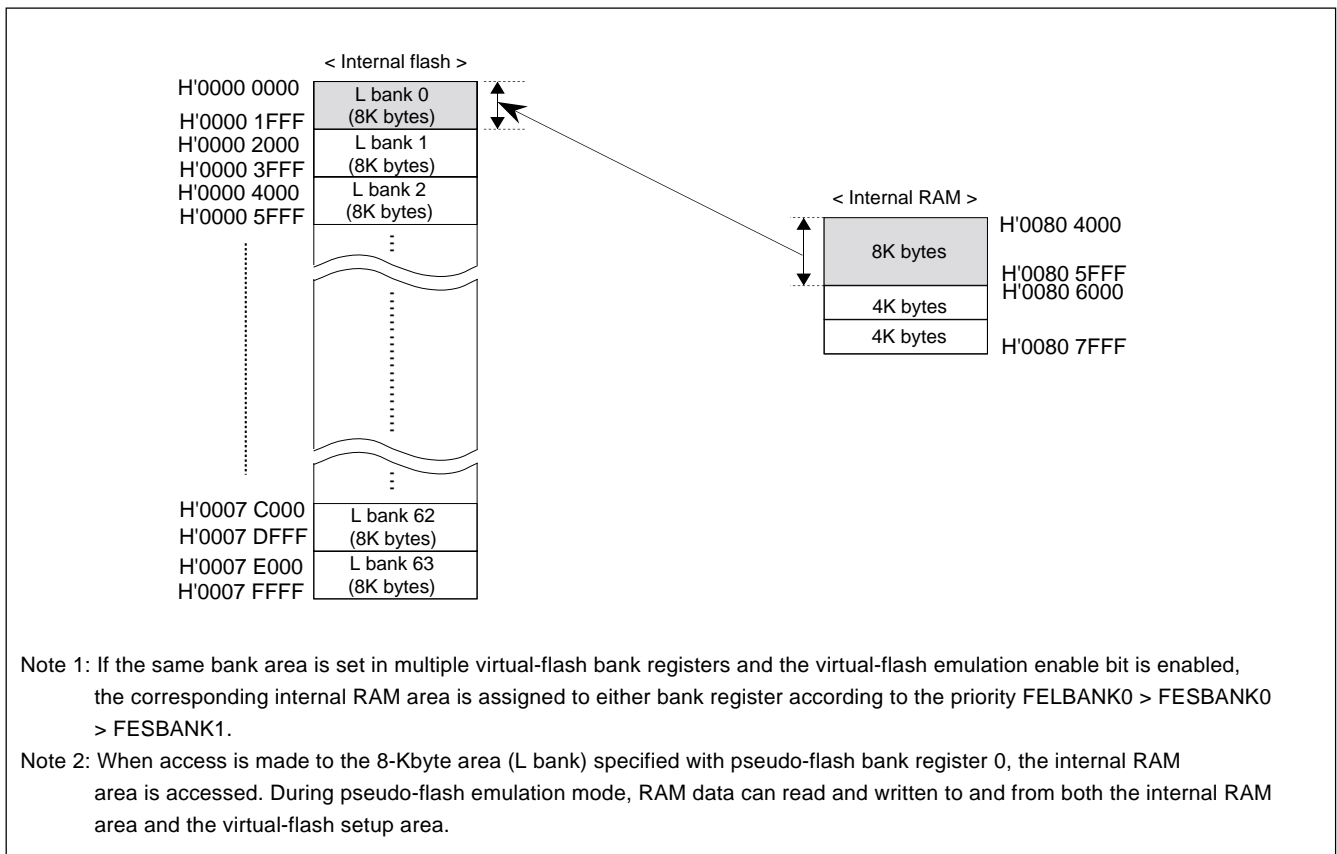


Figure 8 Virtual-Flash Emulation Areas of the M32171F4VFP (Replaced in Units of 8 Kbytes)

32171 Group

SINGLE-CHIP 32-BIT CMOS MICROCOMPUTER

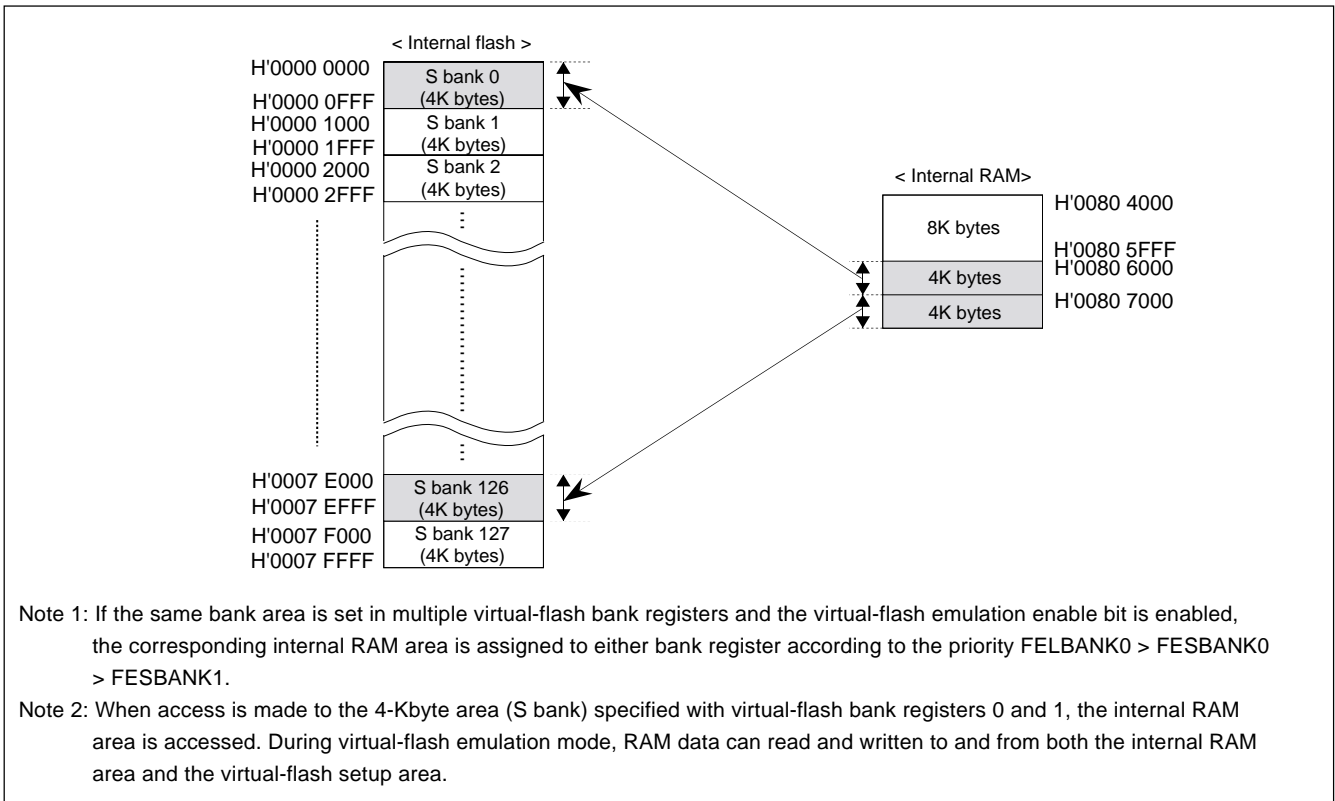


Figure 9 Virtual-Flash Emulation Areas of the M32171F4VFP (Replaced in Units of 4 Kbytes)

Virtual-Flash Emulation Areas of M32171F4VFP, M32171F3VFP, and M32171F2VFP are shown as follows.

Table 8 Virtual-Flash Emulation Areas

Type Name	Virtual-Flash Emulation Areas
M32171F4VFP	H' 0000 0000 - H' 0007 FFFF
M32171F3VFP	H' 0000 0000 - H' 0005 FFFF
M32171F2VFP	H' 0000 0000 - H' 0003 FFFF

32171 Group

SINGLE-CHIP 32-BIT CMOS MICROCOMPUTER

Input/output Ports

The microcomputer has a total of 97 input/output ports P0-P22. (However, P5 is reserved for future use, P14, P16, and P18-P21 do not exist.) The input/output ports can be used as input ports or output ports by setting up their direction registers.

Each input/output port is a dual-function pin shared with other internal peripheral I/O or external extended bus signal lines. These pin functions are selected by using the chip operation mode select or the input/output port operation mode registers. These input/output ports are interfaced using a dedicated power supply to allow for connections to the peripheral circuits operating with 5V or 3.3V.

Table 9 Outline of Input/output Ports

Item	Specification
Number of Port	Total 97 ports
	P0 : P00 - P07 (8 lines)
	P1 : P10 - P17 (8 lines)
	P2 : P20 - P27 (8 lines)
	P3 : P30 - P37 (8 lines)
	P4 : P41 - P47 (7 lines)
	P6 : P61 - P64 (4 lines)
	P7 : P70 - P77 (8 lines)
	P8 : P82 - P87 (6 lines)
	P9 : P93 - P97 (5 lines)
	P10 : P100 - P107 (8 lines)
	P11 : P110 - P117 (8 lines)
	P12 : P124 - P127 (4 lines)
	P13 : P130 - P137 (8 lines)
	P15 : P150, P153 (2 lines)
	P17 : P174, P175 (2 lines)
	P22 : P220, P221, P225 (3 lines)
Port function	The input/output ports can be set for input or output mode bitwise by using the input/output port direction control register. (However, P64 is an $\overline{\text{SBI}}$ input-only port, and P221 is CAN input-only port.)
Pin function	Dual-functions shared with peripheral I/O or external extended signals (or multi-functions shared with peripheral I/Os which have multiple functions.)
Pin function changeover	P0 - P4 : Changed by setting CPU operation mode (MOD0 and MOD1 pins) P6 - 22 : Changed by setting the input/output port operation mode register. (However, peripheral I/O pin functions are selected using the peripheral I/O register.)

Note: Input/output ports P14, P16, and P18-P21 do not exist.

Table 10 CPU Operation Modes and P0-P4 Pin Functions

MOD0	MOD1	Operation mode	Pin functions of P0-P4
VSS	VSS	Single-chip mode	Input/output port pin
VSS	VCCE	External extended mode	External extended signal pin
VCCE	VSS	Processor mode (FP pin = VSS)	
VCCE	VCCE	Reserved (use inhibited)	—

Note: VCCE connects to +5V or +3.3V, and VSS connects to GND.

32171 Group

SINGLE-CHIP 32-BIT CMOS MICROCOMPUTER

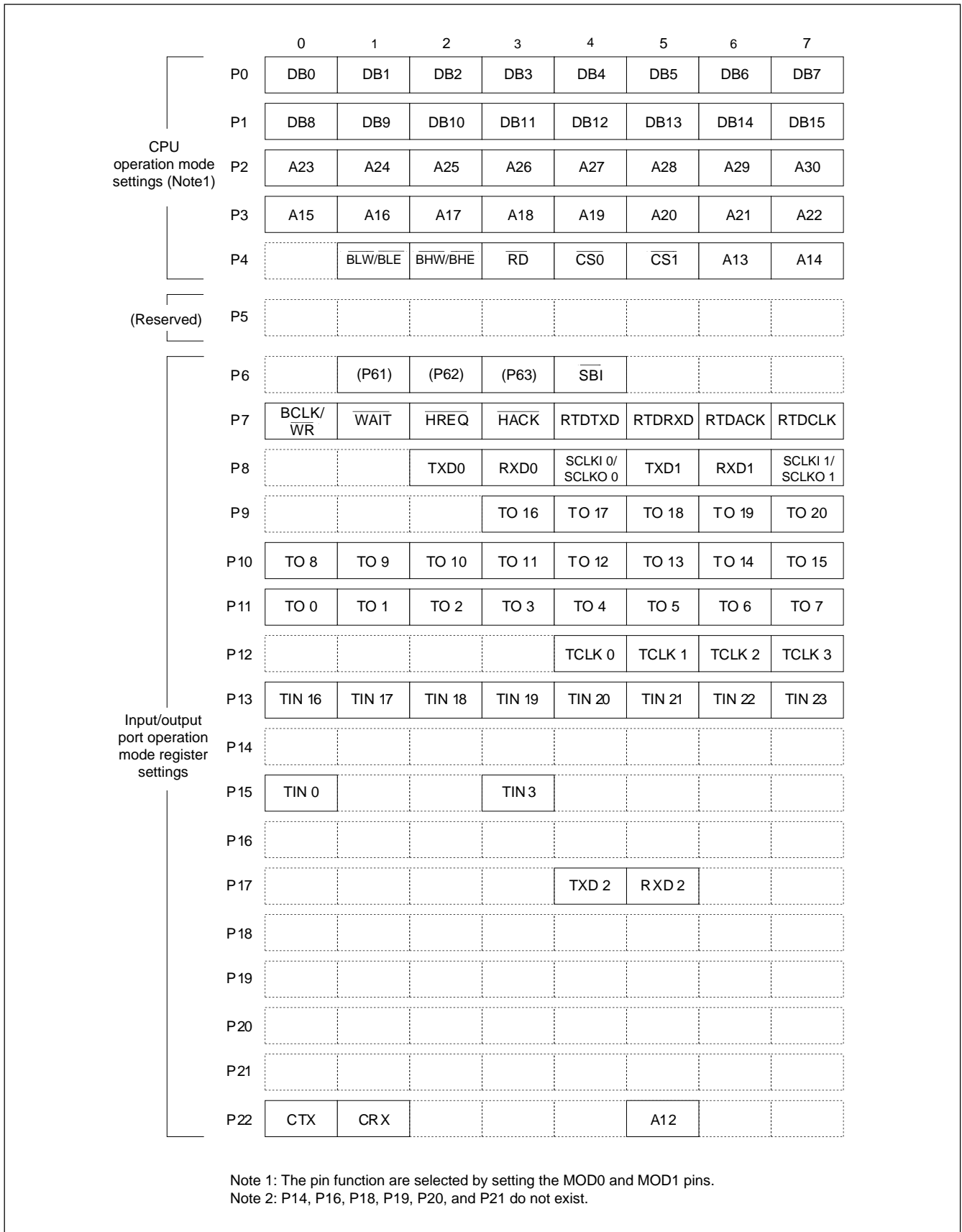


Figure 10 Input/output Ports and Pin Function Assignments

Built-in 10-Channel DMAC

The microcomputer contains 10 channels of DMAC, allowing for data transfer between internal peripheral I/Os, between internal RAM and internal peripheral I/O, and between internal RAMs.

DMA transfer requests can be issued from the user-created software, as well as can be triggered by a signal generated by the internal peripheral I/O (A-D converter, MJT, or serial I/O).

The microcomputer also supports cascaded connection between DMA channels (starting DMA transfer on a channel at end of transfer on another channel). This makes advanced transfer processing possible without causing any additional CPU load.

Table 11 Outline of the DMAC

Item	Content
Number of channels	10 channels
Transfer request	<ul style="list-style-type: none"> • Software trigger • Request from internal peripheral I/O: A-D converter, multijunction timer, or serial I/O (reception completed, transmit buffer empty) • Cascaded connection between DMA channels possible (Note)
Maximum number of times transferred	256 times
Transferable address space	<ul style="list-style-type: none"> • 64 Kbytes (address space from H'0080 0000 to H'0080 FFFF) • Transfers between internal peripheral I/Os, between internal RAM and internal peripheral IO, and between internal RAMs are supported
Transfer data size	16 bits or 8 bits
Transfer method	Single transfer DMA (control of the internal bus is relinquished for each transfer performed), dual-address transfer
Transfer mode	Single transfer mode
Direction of transfer	One of three modes can be selected for the source and destination of transfer: <ul style="list-style-type: none"> • Address fixed • Address increment • 32-channel ring buffer
Channel priority	Channel 0 > channel 1 > channel 2 > channel 3 > channel 4 > channel 5 > channel 6 > channel 7 > channel 8 > channel 9 (Fixed priority)
Maximum transfer rate	13.3 Mbytes per second (when internal peripheral clock = 20 MHz)
Interrupt request	Group interrupt request can be generated when each transfer count register underflows
Transfer area	64 Kbytes from H'0080 0000 to H'0080 FFFF (Transfer is possible in the entire internal RAM/SFR area)

Note: The following DMA channels can be cascaded.

- DMA transfer on channel 1 started at end of one DMA transfer on channel 0
- DMA transfer on channel 2 started at end of one DMA transfer on channel 1
- DMA transfer on channel 0 started at end of one DMA transfer on channel 2
- DMA transfer on channel 4 started at end of one DMA transfer on channel 3
- DMA transfer on channel 6 started at end of one DMA transfer on channel 5
- DMA transfer on channel 7 started at end of one DMA transfer on channel 6
- DMA transfer on channel 5 started at end of one DMA transfer on channel 7
- DMA transfer on channel 9 started at end of one DMA transfer on channel 8
- DMA transfer on channel 5 started at end of all DMA transfers on channel 0 (underflow of transfer count register)

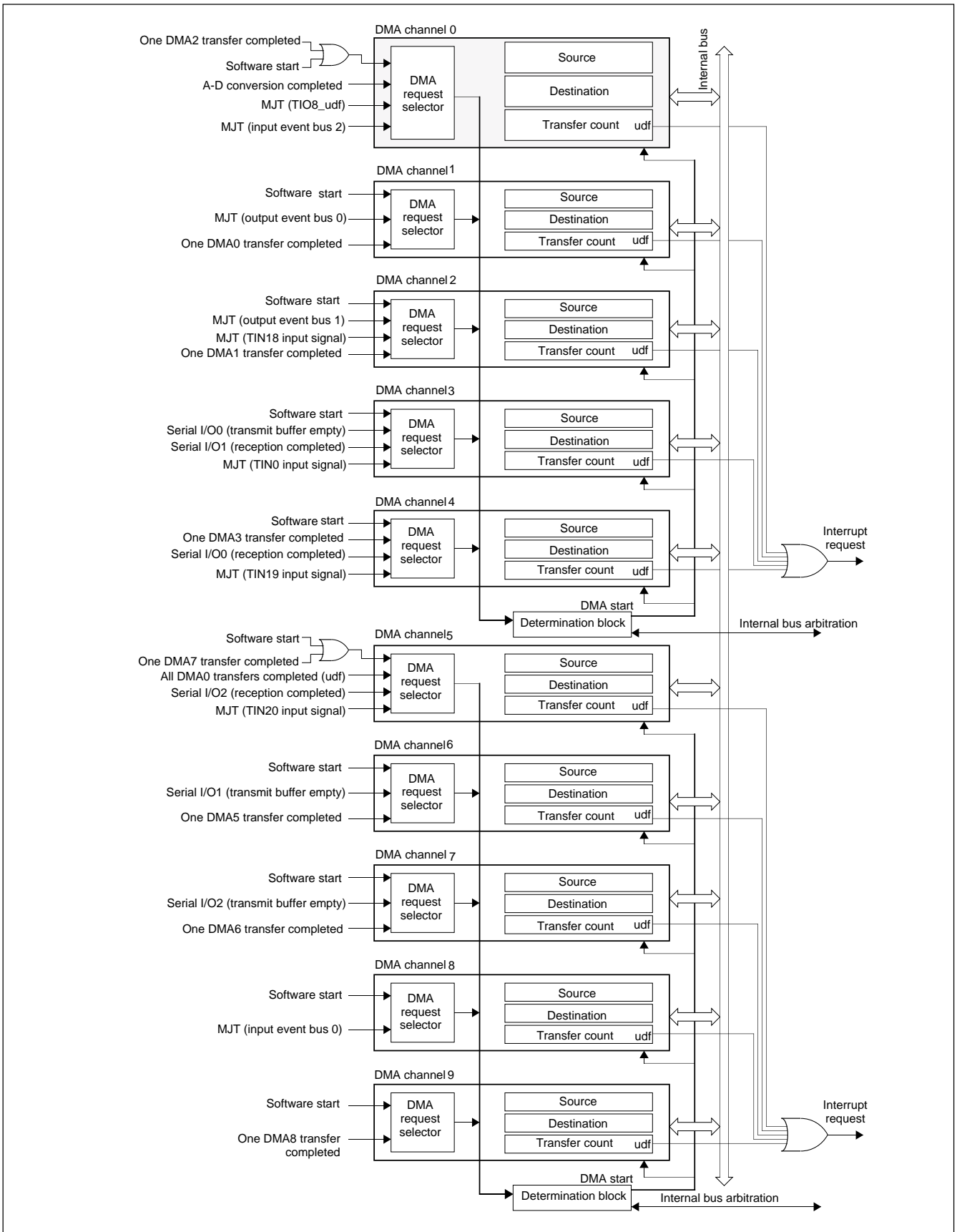


Figure 11 Block Diagram of the DMAC

Built-in 37-Channel Multijunction Timers (MJT)

The microcomputer contains a total of 37 channels of multijunction timers consisting of 11 channels of 16-bit output related timers, 10 channels of 16-bit input/output related timers, eight channels of 16-bit input related timers, eight channels of 32-bit input related timers, Each timer has multiple operation modes to choose from, depending on the purposes of use.

Also, the multijunction timers internally have a clock bus, input event bus, and an output event bus, so that multiple timers can be used in combination allowing for a flexible timer configuration.

The output related timers have a correcting function that allows the timer's count value to be incremented or decremented as necessary while count is in progress, making real time output control possible.

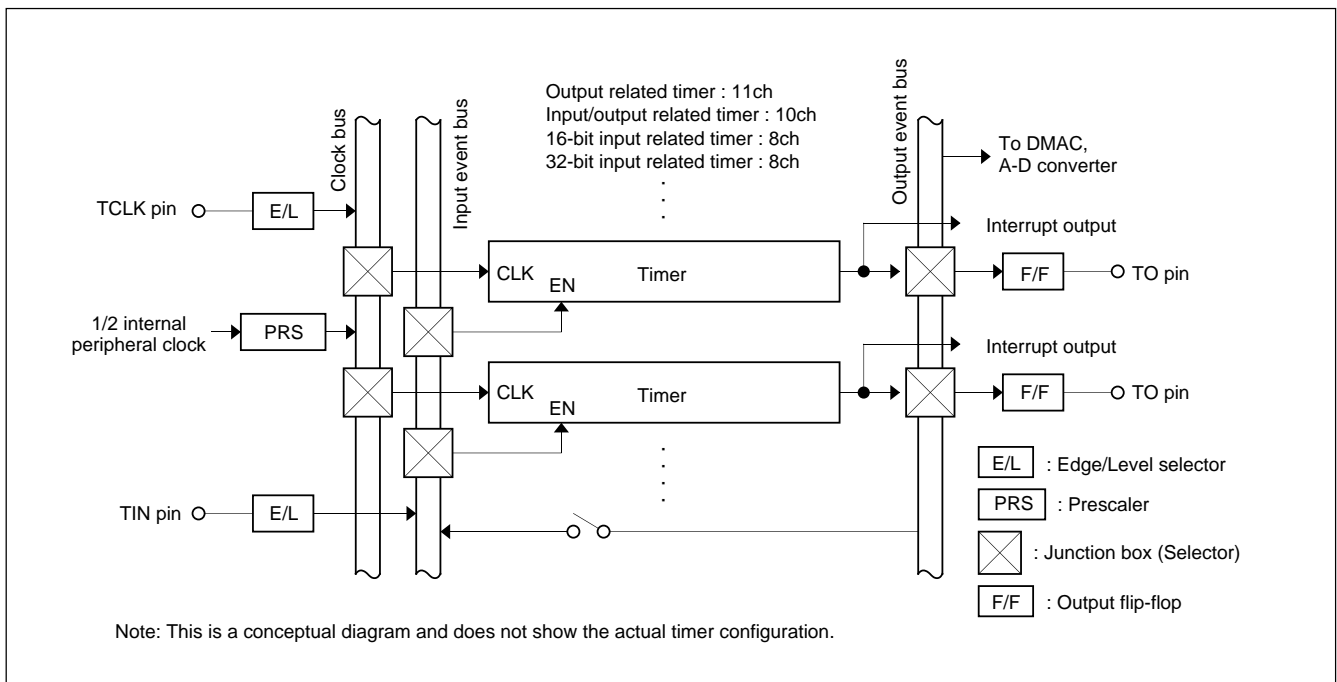


Figure 12 Conceptual Diagram of the Multijunction Timer (MJT)

32171 Group

SINGLE-CHIP 32-BIT CMOS MICROCOMPUTER

Table 12 Outline of Multijunction Timers

Name	Type	Number of channels	Content
TOP (Timer Output)	Output-related 16-bit timer (down-counter)	11	One of three input modes can be selected in software. < With correction function > <ul style="list-style-type: none"> • Single-shot output mode • Delayed single-shot output mode < Without correction function > <ul style="list-style-type: none"> • Continuous output mode
TIO (Timer Input Output)	Input/output-related 16-bit timer (down-counter)	10	One of three input modes or four output modes can be selected by software. < Input modes > <ul style="list-style-type: none"> • Measure clear input mode • Measure free-run input mode • Noise processing input mode < Output mode without correction function > <ul style="list-style-type: none"> • PWM output mode • Single-shot output mod • Delayed single-shot output mode • Continuous output mode
TMS (Timer Measure Small)	Input-related 16-bit timer (up counter)	8	16-bit input measure timer.
TML (Timer Measure Large)	Input-related 32-bit timer (up counter)	8	32-bit input measure timer.

32171 Group

SINGLE-CHIP 32-BIT CMOS MICROCOMPUTER

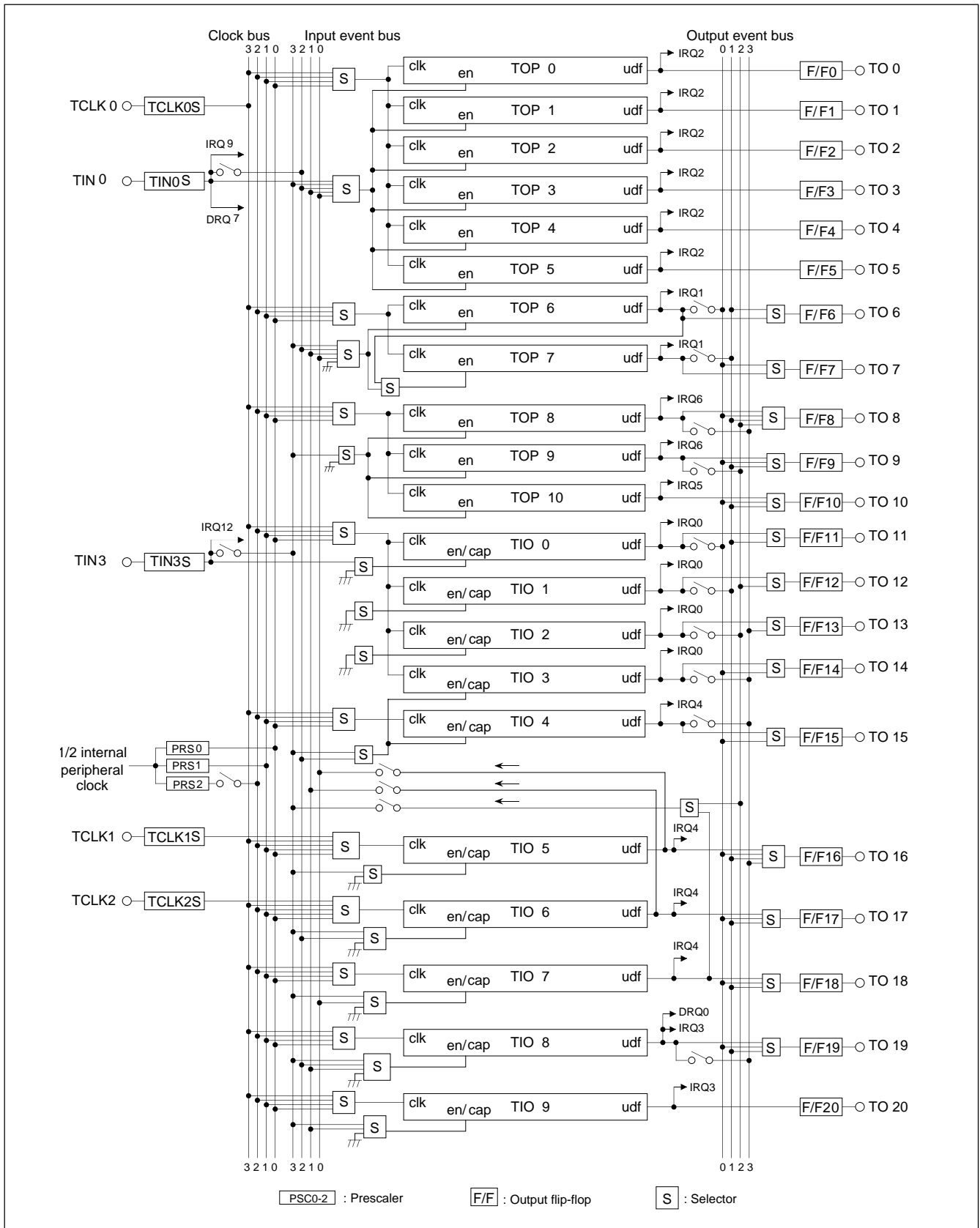


Figure 13 Block Diagram of Multijunction Timers (MJT) (1/3)

32171 Group

SINGLE-CHIP 32-BIT CMOS MICROCOMPUTER

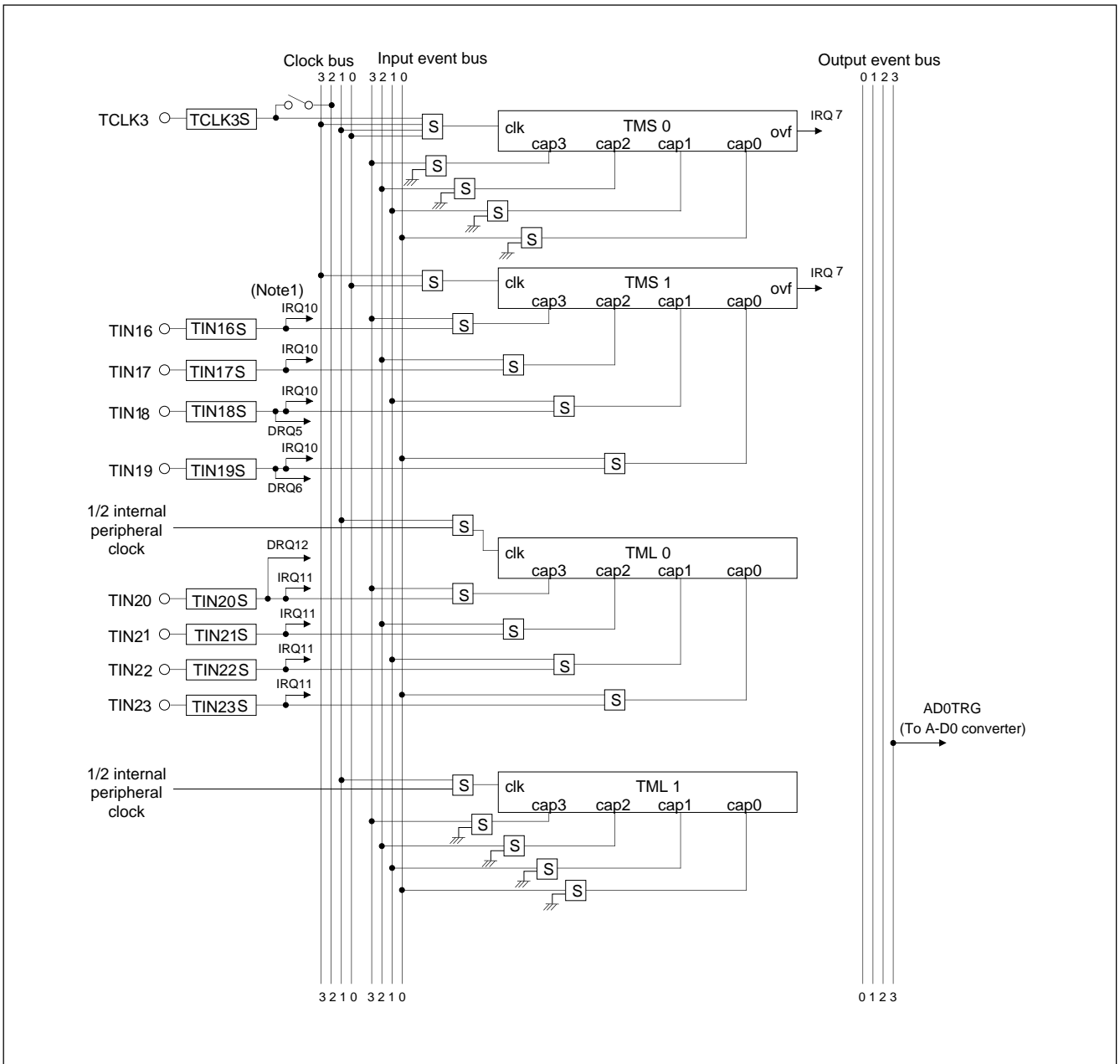


Figure 14 Block Diagram of Multijunction Timers (MJT) (2/3)

32171 Group

SINGLE-CHIP 32-BIT CMOS MICROCOMPUTER

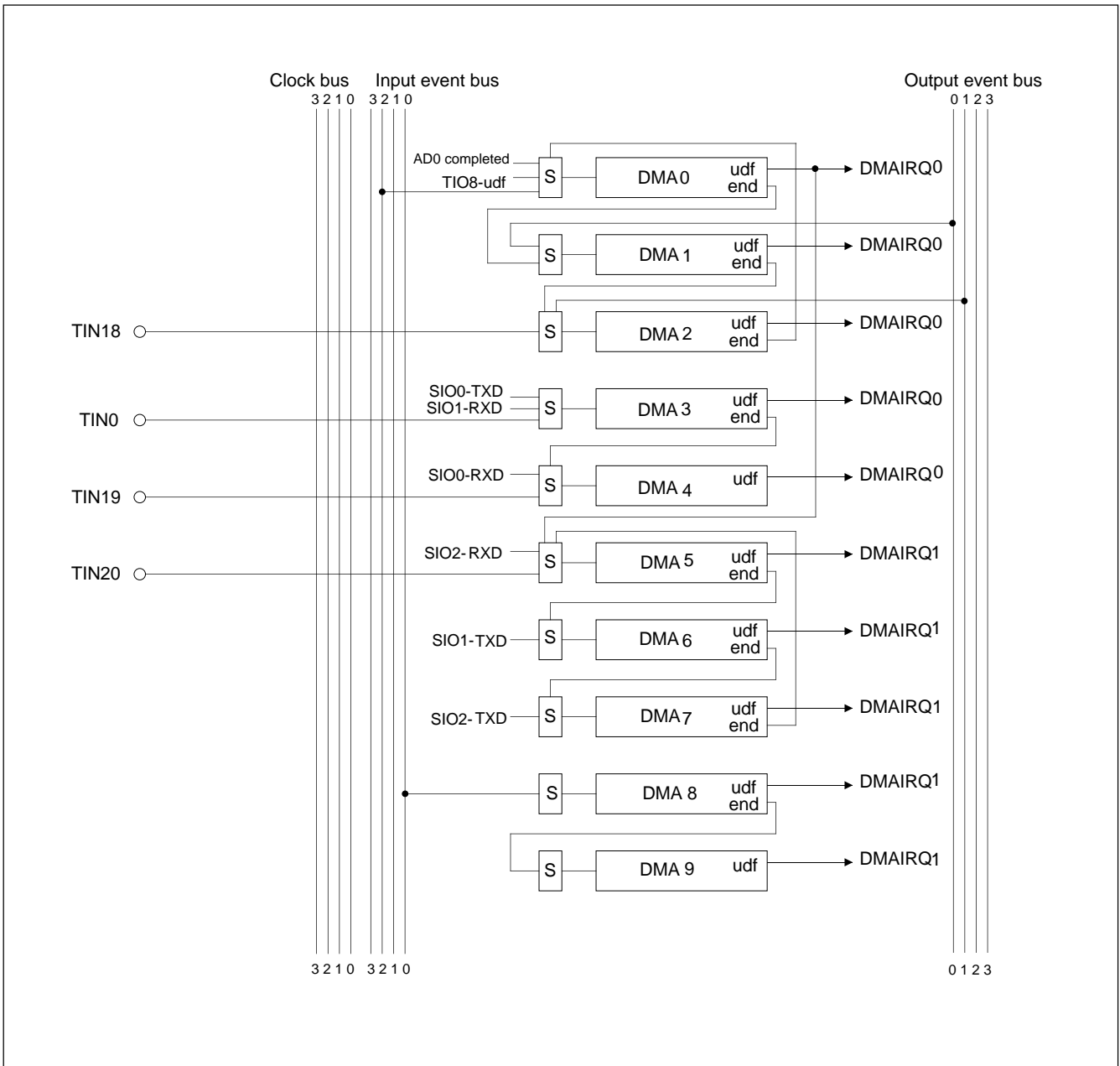


Figure 15 Block Diagram of Multijunction Timers (MJT) (3/3)

Built-in Two Independent A-D Converters

The microcomputer contains two 16-channel converters with 10-bit resolution (A-D0 converter and A-D1 converter). In addition to single conversion on each channel, continuous A-D conversion on a combined group of 4, 8, and 16 channels is possible. The A-D converted value can be read out in either 10 bits or 8 bits.

In addition to ordinary A-D conversion, the converters support comparator mode in which the set value and A-D converted value are compared to determine which is larger or smaller than the other.

When A-D conversion is finished, the converters can generate a DMA transfer request, as well as an interrupt.

The A-D converters are interfaced using a dedicated power supply to allow for connections to the peripheral circuits operating with 5V or 3.3V.

Table 13 Outline of the A-D Converters

Item	Content		
Analog input	16 channels		
A-D conversion method	Successive approximation method.		
Resolution	10 bits (Conversion results can be read out in either 10 or 8 bits.)		
Absolute accuracy (Conditions: Ta = -40 ~ +125°C, AVCC0 = VREF0 = 5.12V) (Note 1)	Normal rate mode	±2 LSB	
	Double rate mode	±2 LSB	
Conversion mode	A-D conversion mode, comparator mode		
Operation mode	Single mode, scan mode		
Scan mode	Single-shot scan mode, continuous scan mode.		
Conversion start trigger	Software start	Started by setting A-D conversion start bit to 1.	
	Hardware start	A-D0 converter started by MJT output event bus 3.	
Conversion rate f(BCLK) : Internal peripheral clock operating frequency (Note 2)	During single mode (Shortest time)	Normal	$299 \times 1/f(\text{BCLK})$
		Double speed	$173 \times 1/f(\text{BCLK})$
	During comparator mode (Shortest time)	Normal	$47 \times 1/f(\text{BCLK})$
		Double speed	$29 \times 1/f(\text{BCLK})$
Interrupt request generation	When A-D conversion is finished, when compare operation is finished, when single-shot scan is finished, or when one cycle of continuous scan is finished.		
DMA transfer request generation	When A-D conversion is finished, when compare operation is finished, when single-shot scan is finished, or when one cycle of continuous scan is finished.		

Note 1: The rated value of conversion accuracy here is that of the microcomputer's own as a single unit which can be exhibited when the microcomputer is used in an environment where it may not be affected by the power supply wiring or noise on the board.

Note 2: When input clock (XIN) = 10 MHz, f(BCLK) = 20 MHz.

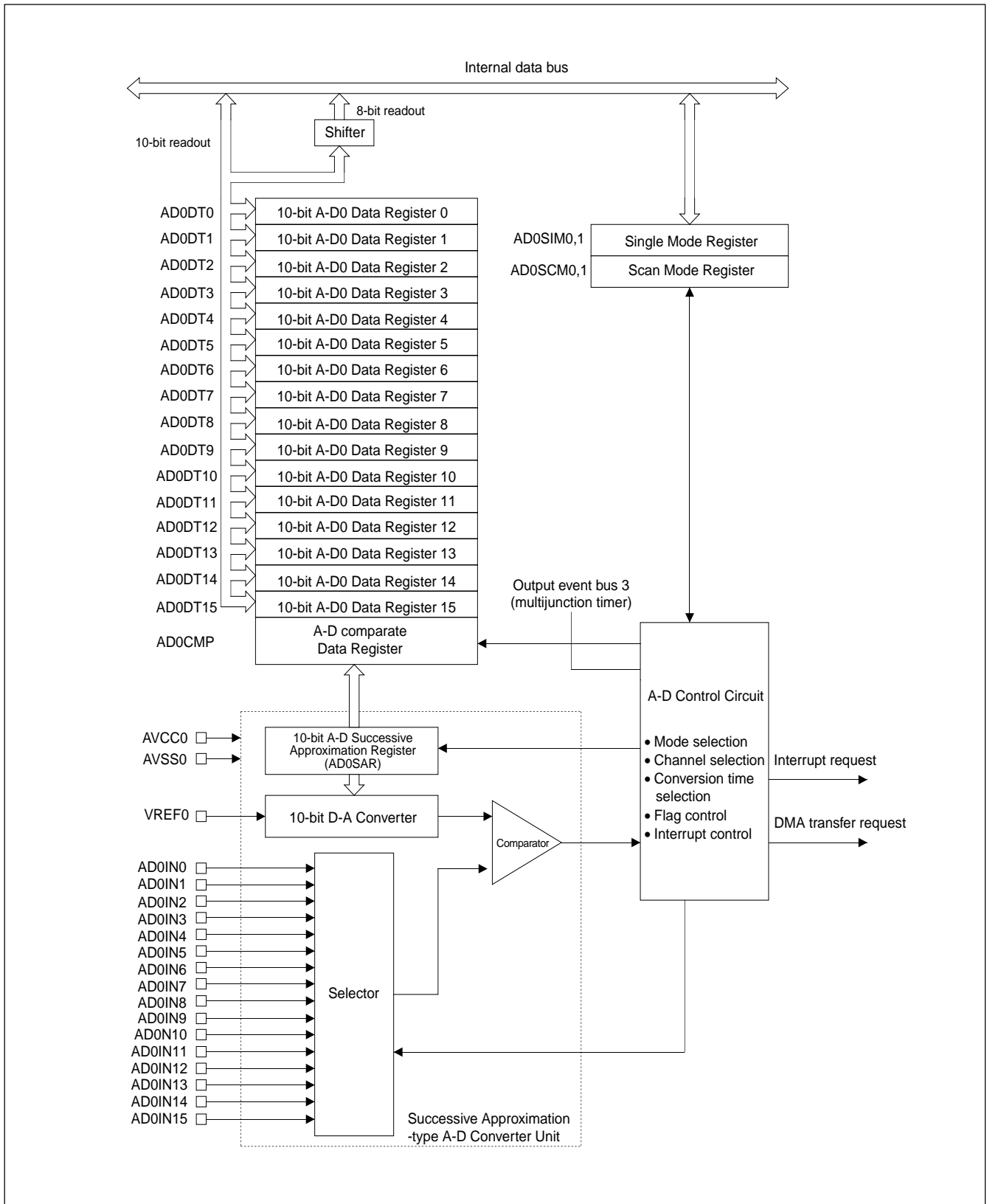


Figure 16 Block Diagram of the A-D0 Converter

3-channel High-speed Serial I/Os

The microcomputer contains three channels of serial I/Os consisting of two channels that can be set for CSIO mode (clock-synchronized serial I/O) or UART mode (asynchronous serial I/O) and one other channel that can only be set for UART mode.

The SIO has the function to generate a DMA transfer request when data reception is completed or the transmit register becomes empty, and is capable of high-speed serial communication without causing any additional CPU load.

Table 14 Outline of Serial I/O

Item	Content
Number of channels	CSIO/UART: 2 channels (SIO0,SIO1) UART only : 1 channels (SIO2)
Clock	During CSIO mode : Internal clock / external clock, selectable (Note1) During UART mode : Internal clock only
Transfer mode	Transmit half-duplex, receive half-duplex, transmit/receive full-duplex
BRG count source ^f	(BCLK), f(BCLK)/8, f(BCLK)/32, f(BCLK)/256 (When internal clock is selected) (Note2)
Data format	CSIO mode : Data length = Fixed to 8 bits Order of transfer = Fixed to LSB first UARTmode : Start bit = 1 bit Character length = 7, 8, or 9 bits Parity bit = Added or not added (When added, selectable between odd and even parity) Stop bit = 1 or 2 bits Order of transfer = Fixed to LSB first
Baud rate	CSIO mode : 152 bits per second to 2 Mbits per second (when operating with f(BCLK) = 20 MHz) UARTmode : 19 bits per second to 156 Kbits per second (when operating with f(BCLK) = 20 MHz)
Error detection	CSIO mode : Overrun error only UARTmode : Overrun, parity, and framing errors (The error-sum bit indicates which error has occurred)
Fixed cycle clock output function	When using SIO0 and SIO1 as UART, this function outputs a divided-by-2 BRG clock from the SCLK pin.

Note 1: During CSIO mode, the maximum input frequency of an external clock is f(BCLK) divided by 16.

Note 2: When f(BCLK) is selected for the BRG count source, the BRG set value is subject to limitations.

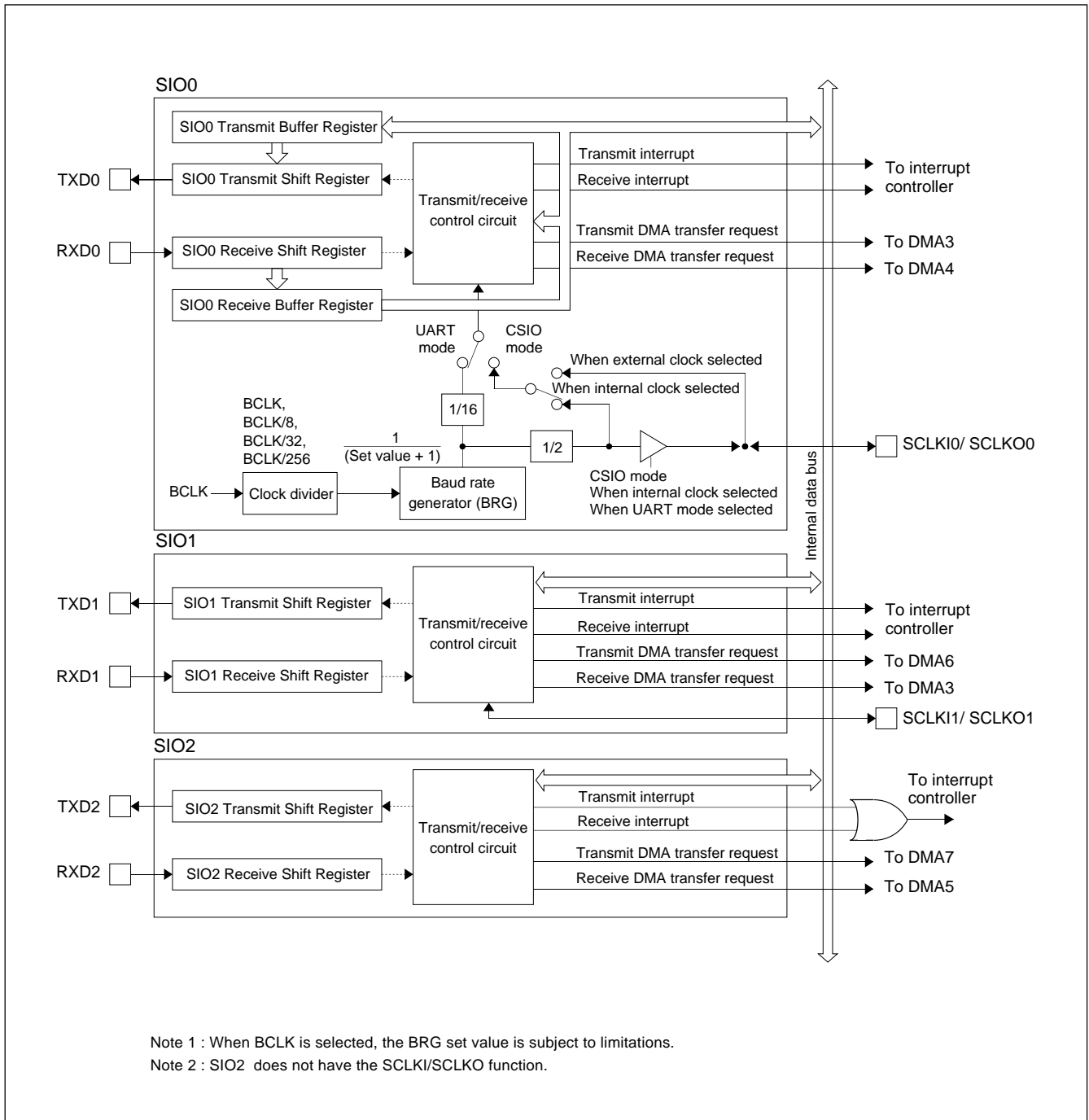


Figure 17 Block Diagram of Serial I/O

CAN Module

The M32171 Group contains two Full CAN modules compliant with CAN Specification V2.0B (CAN0 and CAN1), each of which has 16-channel message slots and three mask registers.

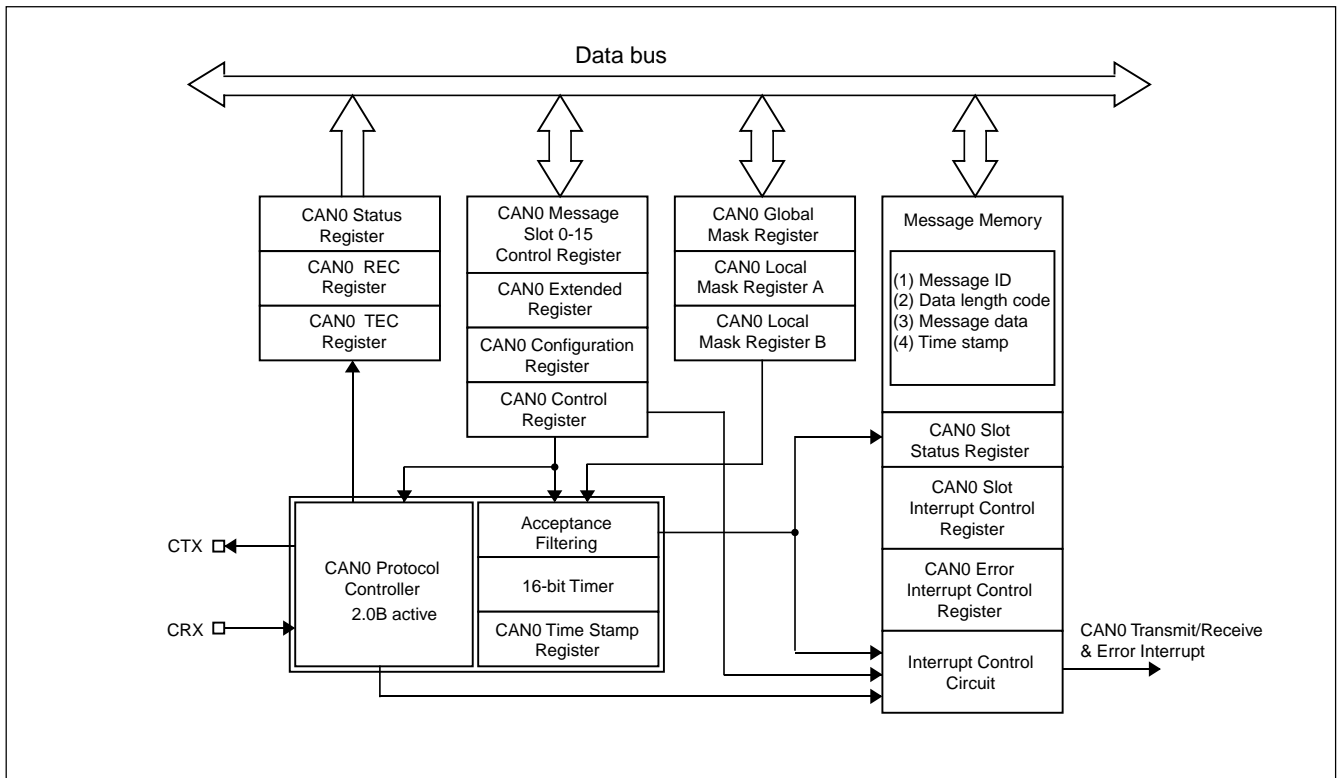


Figure 18 Block Diagram of the CAN Module

8-level Interrupt Controller

The Interrupt Controller controls interrupt requests from each internal peripheral I/O (31 sources) by using eight priority levels assigned to each interrupt source, including interrupts disabled. In addition to these interrupts, it handles System Break Interrupt (SBI), Reserved Instruction Exception (RIE), and Address Exception (AE) as nonmaskable interrupts.

Wait Controller

The Wait Controller supports access to external devices. For access to an external extended area of up to 1 Mbytes (during external extended or processor mode), the Wait Controller controls bus cycle extension by inserting one to four wait cycles or using external $\overline{\text{WAIT}}$ signal input.

Realtime Debugger (RTD)

The Realtime Debugger (RTD) provides a function for accessing directly from the outside to the internal RAM. It uses a dedicated clock-synchronized serial I/O to communicate with the outside.

Use of the RTD communicating via dedicated serial lines allows the internal RAM to be read out and rewritten without having to halt the CPU.

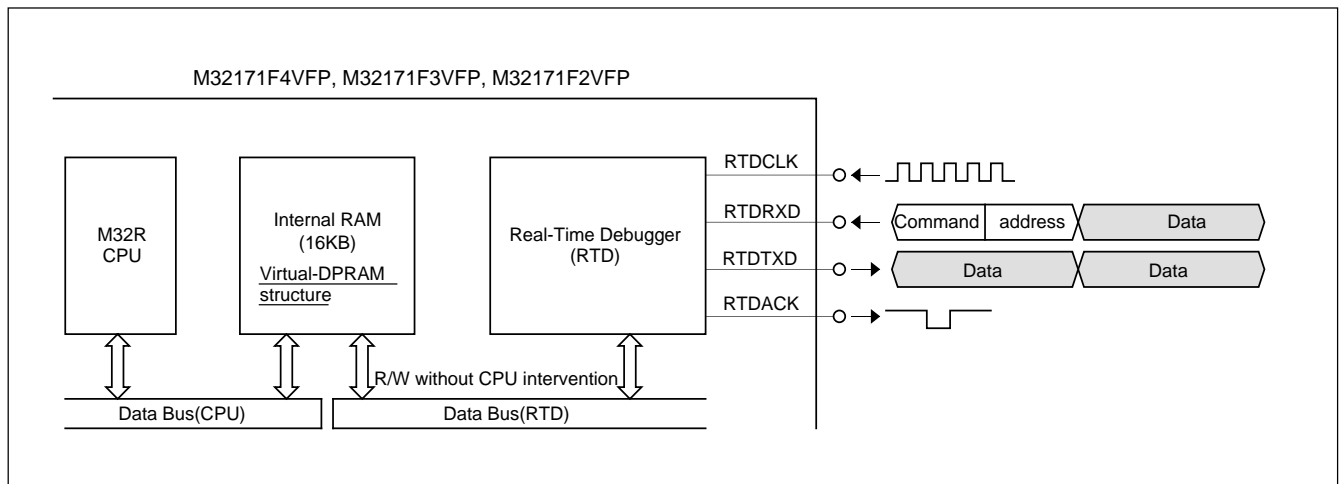


Figure 19 Conceptual Diagram of the Realtime Debugger (RTD)

CPU Instruction Set

The M32R employs a RISC architecture, supporting a total of 83 discrete instructions.

(1) Load/store instructions

Perform data transfer between memory and registers.

LD	Load
LDB	Load byte
LDUB	Load unsigned byte
LDH	Load halfword
LDUH	Load unsigned halfword
LOCK	Load locked
ST	Store
STB	Store byte
STH	Store halfword
UNLOCK	Store unlocked

(2) Transfer instructions

Perform register to register transfer or register to immediate transfer.

LD24	Load 24-bit immediate
LDI	Load immediate
MV	Move register
MVFC	Move from control register
MVTC	Move to control register
SETH	Set high-order 16-bit

(3) Branch instructions

Used to change the program flow.

BC	Branch on C-bit
BEQ	Branch on equal
BEQZ	Branch on equal zero
BGEZ	Branch on greater than or equal zero
BGTZ	Branch on greater than zero
BL	Branch and link
BLEZ	Branch on less than or equal zero
BLTZ	Branch on less than zero
BNC	Branch on not C-bit
BNE	Branch on not equal
BNEZ	Branch on not equal zero
BRA	Branch
JL	Jump and link
JMP	Jump
NOP	No operation

(4) Arithmetic/logic instructions

Perform comparison, arithmetic/logic operation, multiplication/division, or shift between registers.

• Comparison

CMP	Compare
CMPI	Compare immediate
CMPU	Compare unsigned
CMPUI	Compare unsigned immediate

• Logical operation

AND	AND
AND3	AND 3-operand
NOT	Logical NOT
OR	OR
OR3	OR 3-operand
XOR	Exclusive OR
XOR3	Exclusive OR 3-operand

• Arithmetic operation

ADD	Add
ADD3	Add 3-operand
ADDI	Add immediate
ADDV	Add (with overflow checking)
ADDV3	Add 3-operand
ADDX	Add with carry
NEG	Negate
SUB	Subtract
SUBV	Subtract (with overflow checking)
SUBX	Subtract with borrow

• Multiplication/division

DIV	Divide
DIVU	Divide unsigned
MUL	Multiply
REM	Remainder
REMU	Remainder unsigned

• Shift

SLL	Shift left logical
SLL3	Shift left logical 3-operand
SLLI	Shift left logical immediate
SRA	Shift right arithmetic
SRA3	Shift right arithmetic 3-operand
SRAI	Shift right arithmetic immediate
SRL	Shift right logical
SRL3	Shift right logical 3-operand
SRLI	Shift right logical immediate

(5) Instructions for the DSP function

Perform 32 bit × 16 bit or 16 bit × 16 bit multiplication or sum-of-products calculation. These instructions also perform rounding of the accumulator data or transfer between accumulator and general-purpose register.

MACHI	Multiply-accumulate high-order halfwords
MACLO	Multiply-accumulate low-order halfwords
MACWHI	Multiply-accumulate word and high-order halfword
MACWLO	Multiply-accumulate word and low-order halfword
MULHI	Multiply high-order halfwords
MULLO	Multiply low-order halfwords
MULWHI	Multiply word and high-order halfword
MULWLO	Multiply word and low-order halfword
MVFACHI	Move from accumulator high-order word
MVFACLO	Move from accumulator low-order word
MVFACMI	Move from accumulator middle-order word
MVTACHI	Move to accumulator high-order word
MVTACLO	Move to accumulator low-order word
RAC	Round accumulator
RACH	Round accumulator halfword

(6) EIT related instructions

Start trap or return from EIT processing.

RTE	Return from EIT
TRAP	Trap

32171 Group

SINGLE-CHIP 32-BIT CMOS MICROCOMPUTER

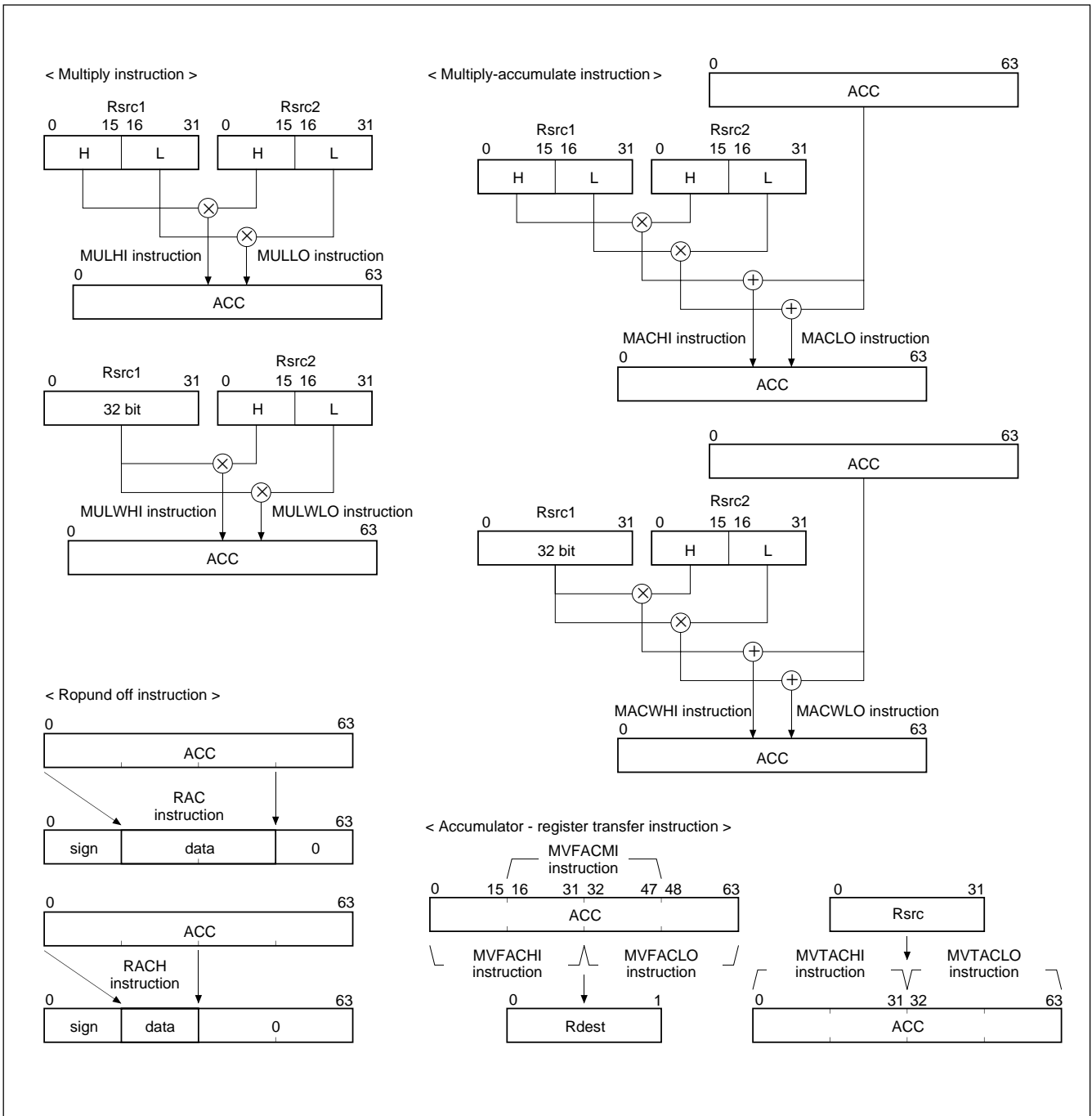


Figure 20 Instructions for the DSP Function

32171 Group

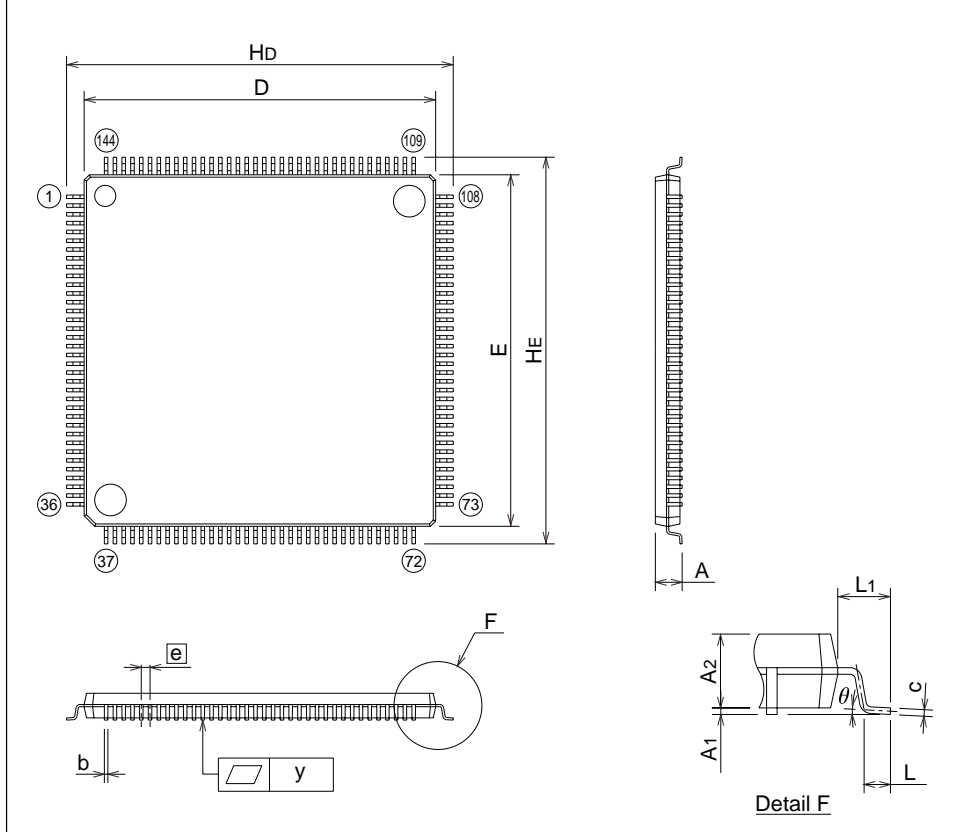
SINGLE-CHIP 32-BIT CMOS MICROCOMPUTER

Package Dimensions Diagram

144P6Q-A

Plastic 144pin 20X20mm body LQFP

EIAJ Package Code	JEDEC Code	Weight(g)	Lead Material
LQFP144-P-2020-0.50	-		Cu Alloy



Symbol	Dimension in Millimeters		
	Min	Nom	Max
A	-	-	1.7
A1	0.05	0.125	0.2
A2	-	1.4	-
b	0.17	0.22	0.27
c	0.105	0.125	0.175
D	19.9	20.0	20.1
E	19.9	20.0	20.1
e	-	0.5	-
HD	21.8	22.0	22.2
HE	21.8	22.0	22.2
L	0.35	0.5	0.65
L1	-	1.0	-
y	-	-	0.1
θ	0°	-	8°
b2	-	0.225	-
l2	1.0	-	-
MD	-	20.4	-
ME	-	20.4	-



Keep safety first in your circuit designs!

- Mitsubishi Electric Corporation puts the maximum effort into making semiconductor products better and more reliable, but there is always the possibility that trouble may occur with them. Trouble with semiconductors may lead to personal injury, fire or property damage. Remember to give due consideration to safety when making your circuit designs, with appropriate measures such as (i) placement of substitutive, auxiliary circuits, (ii) use of non-flammable material or (iii) prevention against any malfunction or mishap.

Notes regarding these materials

- These materials are intended as a reference to assist our customers in the selection of the Mitsubishi semiconductor product best suited to the customer's application; they do not convey any license under any intellectual property rights, or any other rights, belonging to Mitsubishi Electric Corporation or a third party.
- Mitsubishi Electric Corporation assumes no responsibility for any damage, or infringement of any third-party's rights, originating in the use of any product data, diagrams, charts, programs, algorithms, or circuit application examples contained in these materials.
- All information contained in these materials, including product data, diagrams, charts, programs and algorithms represents information on products at the time of publication of these materials, and are subject to change by Mitsubishi Electric Corporation without notice due to product improvements or other reasons. It is therefore recommended that customers contact Mitsubishi Electric Corporation or an authorized Mitsubishi Semiconductor product distributor for the latest product information before purchasing a product listed herein. The information described here may contain technical inaccuracies or typographical errors. Mitsubishi Electric Corporation assumes no responsibility for any damage, liability, or other loss rising from these inaccuracies or errors. Please also pay attention to information published by Mitsubishi Electric Corporation by various means, including the Mitsubishi Semiconductor home page (<http://www.mitsubishichips.com>).
- When using any or all of the information contained in these materials, including product data, diagrams, charts, programs, and algorithms, please be sure to evaluate all information as a total system before making a final decision on the applicability of the information and products. Mitsubishi Electric Corporation assumes no responsibility for any damage, liability or other loss resulting from the information contained herein.
- Mitsubishi Electric Corporation semiconductors are not designed or manufactured for use in a device or system that is used under circumstances in which human life is potentially at stake. Please contact Mitsubishi Electric Corporation or an authorized Mitsubishi Semiconductor product distributor when considering the use of a product contained herein for any specific purposes, such as apparatus or systems for transportation, vehicular, medical, aerospace, nuclear, or undersea repeater use.
- The prior written approval of Mitsubishi Electric Corporation is necessary to reprint or reproduce in whole or in part these materials.
- If these products or technologies are subject to the Japanese export control restrictions, they must be exported under a license from the Japanese government and cannot be imported into a country other than the approved destination.
- Any diversion or reexport contrary to the export control laws and regulations of Japan and/or the country of destination is prohibited.
- Please contact Mitsubishi Electric Corporation or an authorized Mitsubishi Semiconductor product distributor for further details on these materials or the products contained therein.

Revision Description List

32171Group Data Sheet

Rev. No.	Revision Description		Rev. date
	Page	Point	
1.0		First Edition	010514