



USB CIF/VGA Digital Camera Chipset

The USB camera chipsets from STMicroelectronics are at the heart of a variety of products which have proven to be highly successful in a demanding marketplace. Supported by comprehensive reference designs, technical backup and fully-featured software drivers, STMicroelectronics offers camera manufacturers the opportunity to benefit from rapid time to market with a product of proven quality.

The VV6410/VV6500 are ColorMOS™ digital CMOS sensors that deliver outstanding picture quality. These CIF/VGA-resolution sensors have been created specifically to meet the standards required for personal video communications. Both sensors feature automatic black and dark level calibration to ensure optimum image quality.

The STV0672 co-processor receives image data from the sensor, that is processed, compressed and passed to the USB port. It incorporates a digital video processor engine, which performs automatic exposure, automatic gain control and automatic white balance, together with colour matrixing, gamma correction, peaking, automatic defect correction and noise cancellation logic. This data is then compressed to deliver high frame rates with minimum impact on image quality. The USB interface supports USB isochronous data transfer mode. This data transfer mode allows the user to specify the percentage of USB bandwidth to allocate to a USB device, thus allowing multiple cameras/other USB peripherals to be connected to a single USB hub.

The chipset is backed by a fully-featured driver which provides a host of user-definable settings for optimum camera setup. The user interface supports a degree of customisation.

STMicroelectronics offers a range of support services to guarantee product quality, including test specifications and test software.

KEY FEATURES

- Real-time video - up to 30fps CIF, 15fps VGA
- Multiple output video modes supported
- USB 1.1 compliant
- Motion-JPEG compression
- Isochronous USB data transfer
- Automatic black and dark level calibration
- Full Vfw and TWAIN driver support
- Integrated voltage regulation
- Pixel defect detection and correction
- Minimal BOM for complete USB camera
- Programmable vendor ID

APPLICATIONS

- USB Camera
- Biometric identification
- Toys and games

SPECIFICATIONS

Pixel resolution	352 x 288 (CIF) 640 x 480 (VGA)
Array size	2.73mm x 2.04mm (CIF) 4.89mm x 3.66mm (VGA)
Exposure control	Automatic (to +82dB)
Gain control	Automatic (to +30dB)
Signal/Noise ratio	c.56dB
Supply voltage	4.1v-5.25v DC (internally regulated)
USB Compatibility	USB Specification V1.1 Meets full power management requirements with no external components required
Supply current	approx. 150mA (CIF, 30fps) approx. 190mA (VGA, 15fps)
Operating temperature (ambient)	0°C - 40°C (for extended temp. info please contact STMicroelectronics)
Package type	VV6410C036: 36CLCC VV6500C001: 48CLCC STV0672: 64TQFP

Table of Contents

1.	Document Revision History	3
2.	Introduction	4
2.1	STV0672 Chipset General Description	4
2.2	Video Processor (VP)	4
2.3	Video Compression (VC) Engine	7
2.4	Control Processor.....	8
2.5	V6410/VV6500 General Description	8
2.6	Power Management	9
2.7	Suspend Mode	11
2.8	Still Image Upload and Remote Wake-Up.....	11
3.	External Interfaces	12
3.1	USB Interface	12
3.2	USB Vendor ID (VID) and Product ID (PID)	12
3.3	General Purpose Input and Output Signals, Microport, DigiPort and External EEPROM	14
4.	Detailed specifications	15
4.1	STV0672 Absolute Max Ratings	15
4.2	STV0672 AC/DC Characteristics	16
4.3	VV6410 Optical Characterisation Data.....	18
4.4	VV6500 Optical Characterisation Data.....	19
4.5	VV6410 Power Consumption	20
4.6	VV6500 Power Consumption	20
4.7	Digital Input Pad Pull-Up and Pull-Down Strengths (VV6410 and VV6500)	21
5.	Pinout and pin descriptions	22
5.1	VV6410 Pin Details	22
5.2	VV6500 Pin Details	25
5.3	STV0672 Pin Details	28
6.	Package Details	31
6.1	VV6410 (36pin CLCC).....	31
6.2	VV6500 (48pin CLCC).....	32
6.3	STV0672 (64pin TQFP).....	33
7.	VV6410/VV6500+STV0672 Reference Design	34
8.	Reference Design and Evaluation Kits (RDK's and EVK's).....	38
9.	Design Issues	39
10.	Ordering Details	40

1. Document Revision History

Revision	Date	Comments
1.0	28/06/00	First Advance release
1.1	04/07/00	First Preliminary release
2.0	11/07/00	Add extra sensor information and move to new naming convention for datash-eets.
2.1	19/07/00	Minor text corrections and additions DC Parameters updated
3.0	28/07/00	The document presented in full release status. 0672 AC/DC parameters cor-rected.
3.1	24/10/00	EEPROM serial data and serial clock pin assignments clarified

Table 1 : Document Revision History

2. Introduction

2.1 STV0672 Chipset General Description

The STV0672 is a digital video processor requiring no external RAM and minimum of passive support components to provide a complete USB camera. STV0672 accepts raw digital video data from a CIF format CMOS sensor (VV6410) or from a VGA format CMOS sensor (VV6500) and is capable of transferring the resulting YCbCr video data to a host PC over USB at rates up to 30 frames per second (CIF) or 15 frames per second (VGA).

The STV0672 architecture consists of a number of separate functional blocks:

- Video Processor (VP) to include interface logic to sensor
- Video Compressor (VC)
- USB control block
- General purpose control

The VP controls the VVVV6410/VV6500 sensor and processes the raw RGB pixel data into CIF or QCIF YCbCr images

This YCbCr data is compressed by the VC.

The USB control block transfers the compressed data to the host PC. System operation, responding to host requests and commands as well as performing sensor exposure control and colour balance is handled by the video processor (VP).

2.2 Video Processor (VP)

2.2.1 Video Processor/Sensor Interface

The STV0672 video processor (VP) module provides formatted YCbCr 4:2:2-sampled digital video to the video compressor (VC) module at frame rates up to 30 frames per second. The VP also interfaces directly to the VV6410/VV6500 image sensors. The interface to the sensor incorporates:

- A 5-wire data bus SDATA[4:0] for receiving both video data and embedded timing references.
- A 2-wire serial interface SSDA,SSCL to control the sensor (allow reconfiguration of the sensor registers).
- The sensor clock SCLK.
- The sensor regulates the USB system power to 3V3 for both the sensor and the STV0672. The sensor requires one external simple transistor in conjunction with the internal regulator to provide current drive to be able to successfully power the complete camera system
- The sensor also provides a power-on-reset signal that is used to reset the STV0672. This power-on-reset signal also resets the sensor.
- The module supports USB suspend mode.

The simplified block diagram shown below highlights STV0672's key functional blocks.

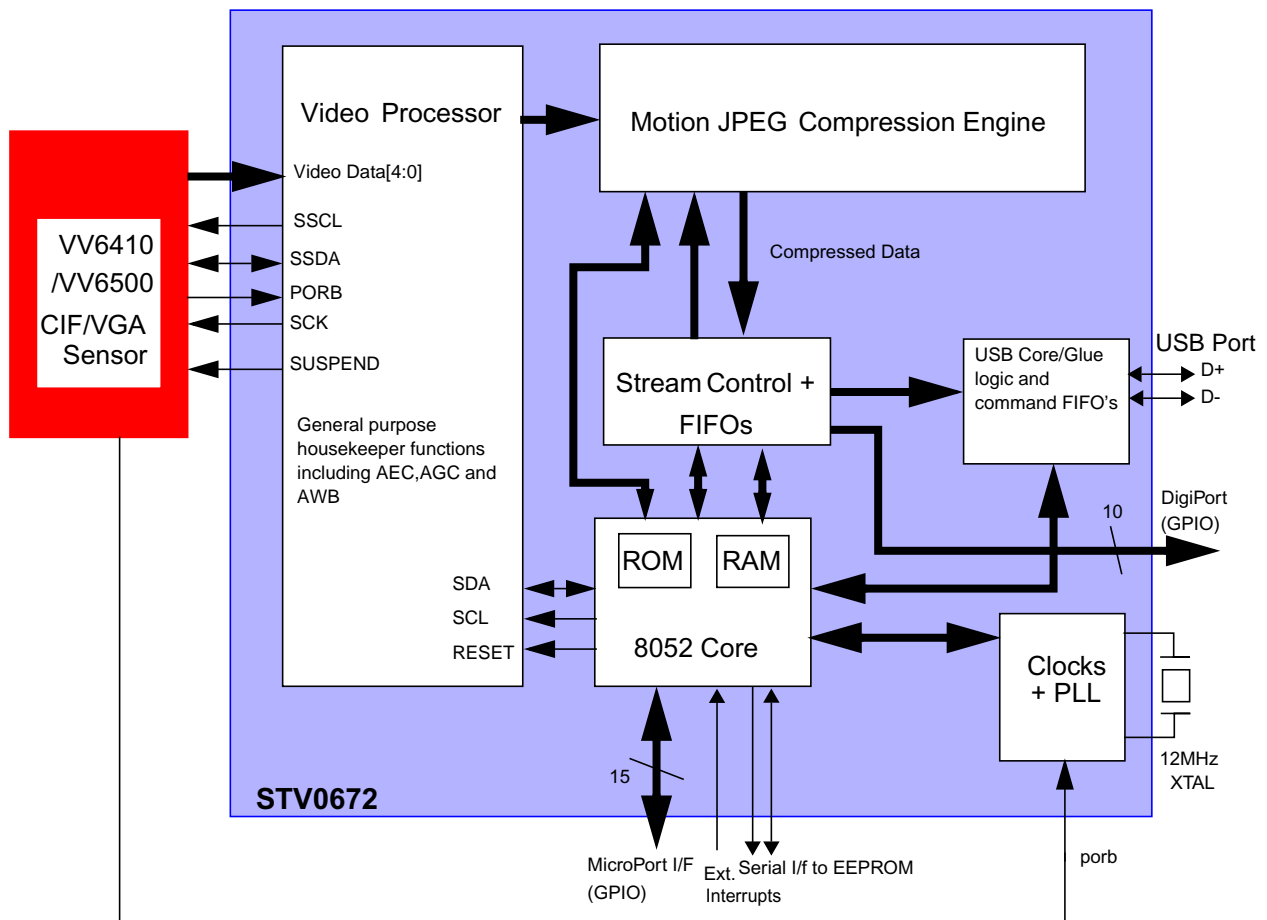


Figure 1 : Block Diagram of STV0672 Video Processor Module

2.2.1 Video Processor Functions

STV0672 provides a master clock SCLK to the camera module. Each 10-bit pixel value generated by the sensor is transmitted across the 5wire, (the MSBit of the databus is unused in the current application but it will support future sensors where a 12bit ADC architecture may be used), databus SDATA[4:0] as a pair of sequential 5-bit nibbles, most significant nibble first. Codes representing the start and end frames and the start and end of lines are embedded within the video pixel data stream to allow the video processor receiver to synchronise with the video data which the sensor is generating.

The video processing engine performs the following functions on incoming data

- full colour restoration at each pixel site from Bayer-patterned input data
- matrixing/gain on each colour channel for colour purity
- peaking for image clarity
- gamma correction
- colour space conversion (including hue and saturation control) from raw RGB to YCbCr[4:2:2].

The 2-wire sensor serial interface (SSDA and SSCL) provides control of sensor configuration. Figure 2 below gives a block overview of the VP module.

2.2.2 Auto Exposure and Gain Control

Control of the sensor exposure is automatically controlled by STV0672. Sensor exposure is evaluated (and, where necessary

modified) once per frame, where a frame consists of 2 video fields. The video fields are identical in length, that is they do not contain any of the half line detail of the analogue video standards like CCIR or NTSC. Two fields per frame are required by the internal sensor video timing model. Integration time, sensor analogue gain and STV0672 digital gain are all used to control the overall exposure. The STV0672 exposure algorithm uses an asymptotic approach in calculating the change required in the present exposure value to approach the requested exposure target.

2.2.3 Defect Correction

STV0672 automatically detects and corrects for pixel defects, without the need for any additional components or additional sensor calibration procedures. This greatly simplifies camera assembly and test, when compared with previous EEPROM-based defect correction schemes. The pixel defect correction scheme in STV0672 ensures that VV6410+STV0672 and VV6500+STV0672 are 'defect free' chipsets.

2.2.4 Interpolation

The Bayer pattern from the sensor provides under-sampled trichromatic data. Interpolation up-samples these undersampled data streams to restore a bandlimited (effectively blurred) version of the original, using simple two-dimensional filtering templates. Signal components aliased in the under-sampling process remain aliased after interpolation. The green channel (no longer containing notions of even and odd rows) is treated differently from red and blue, being interpolated into two output representations, one 'sharper' (containing more high-frequency detail) than the other. The smoother of the two green signals is output along with red and blue to the matrix block.

2.2.5 Unsharp masking

Subtraction of these two green representations creates an 'unsharp mask', which can be further processed before adding back into the main colour flow. The unsharp signal undergoes variable coring (a central thresholding operation for noise reduction) and intensity (gain operation on the cored signal). The strain parameter from the housekeeper acts as both a coring threshold and an attenuator on the user intensity setting, achieving a softening of image appearance in low-light conditions.

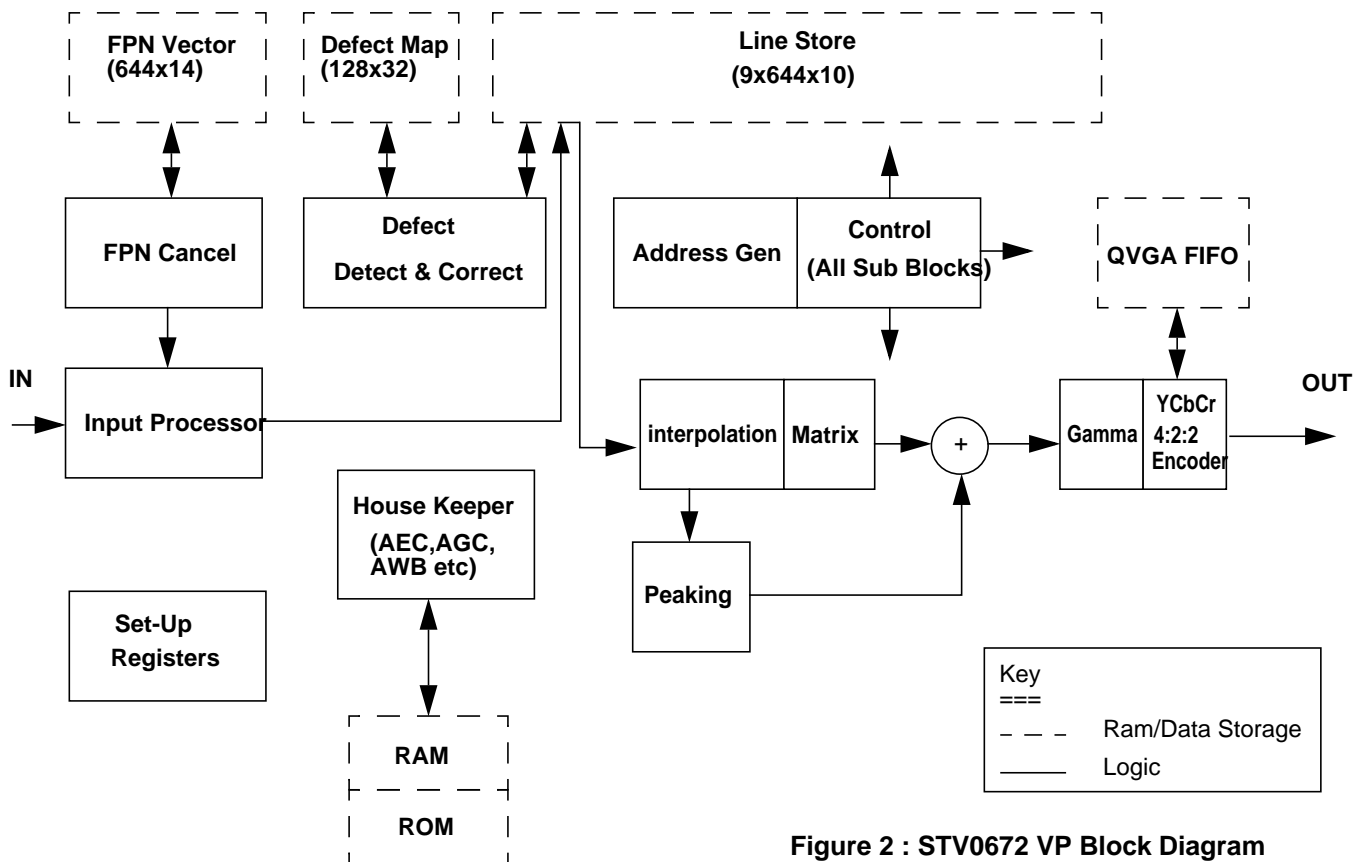


Figure 2 : STV0672 VP Block Diagram

2.2.6 Matrixing

This module performs a 3 x 3 matrix multiplication on the smooth RGB channels, to map pixel taking chromaticities onto nominal display chromaticities. Depending on the characteristics, a general 3 x 3 matrix can effect the transformation; however we choose to decompose this matrix into the form $M = UT$, where U is a neutral-preserving matrix, each of whose rows add to unity, and T is a diagonal matrix of tilts, which form one component of the channel gains applied in the input processor. The combination of U and T are coded in such a way as to require the user provision of 9 integers; three for the tilts T and six for the off-diagonal components of U (on-diagonal coefficients are implicit in a re-ordered row computation). The strain parameter from the housekeeper and a specially-cored version of the unsharp mask signal control the damper; a variable which desaturates the effect of the matrix by attenuating off-diagonal components in the presence of noise (strain component, occurring in low ambient light) or Bayer aliasing (unsharp component, occurring in image regions with high edge-content).

2.2.7 Peaking

The unsharp mask signal is added to each matrixed colour channel to compensate for edge information lost in Bayer-pattern under-sampling and interpolation.

2.2.8 Gamma correction

Gamma correction provides a non-linear distortion of data amplitudes required for various video communication standards, as well as cosmetic enhancement of image detail.

2.2.9 Coder

The coder module comprises a color-space convertor which takes RGB from the gamma module and produces luminance Y and weighted colour-differences Cb & Cr. The data is now passed in YCbCr form to the Video Compression block.

2.3 Video Compression (VC) Engine

The video compression engine performs 3 main functions:

- Up scaling of input YCbCr 4:2:2 video stream from the VP (typically to scale from QVGA to CIF image formats)
- Compression and Encoding of YCbCr stream into Motion-JPEG (M-JPEG) format
- USB Bandwidth monitoring

Figure 3 below gives a block overview of the VC module. The data stream from the VP can be upto VGA size. The scaler in VC can downsize this image. Once scaled the video stream is then converted into M-JPEG format. M-JPEG simply treats video as a series of JPEG still images. Please note that the JPEG specific header information need not be transmitted in a MJPEG stream. The conversion is realised via a sequential DCT (Discrete Cosine Transform) with Huffman encoding. After transfer over USB the M-JPEG stream will be decoded in the Video-for-Windows (VfW) device driver running on the host.

The VC module is capable of compression ratios of up to 100:1 although clearly this is scene dependent. Image framerate produced by the STV0672 chipset is fixed and furthermore the available USB bandwidth is also fixed (within the software driver). The VC module varies the compression ratio to match the fluctuating input video data rates, that vary according to scene dynamics, to the available USB bandwidth and required framerate.

The final stage of the VC block manages the data transfer rate from the local VC FIFO store to the USB core. STV0672 can perform this management automatically, by employing long-term (frame-level) and short-term (block-level) compression management. The former is achieved by varying a scalar quality-factor from frame to frame, to drive expected data rates upwards or downwards. The latter is achieved by truncating the zig-zag sequence of AC coefficients more or less severely according to how many preset thresholds of FIFO usage have been crossed. As FIFO usage approaches maximum, this truncation process reduces instantaneous data rates until stability is regained, at the cost of local loss of detail in the image. The latter process is transparent to the decoder. Statistics of threshold-crossing activity are subsequently used in the long-term quality setting decision.

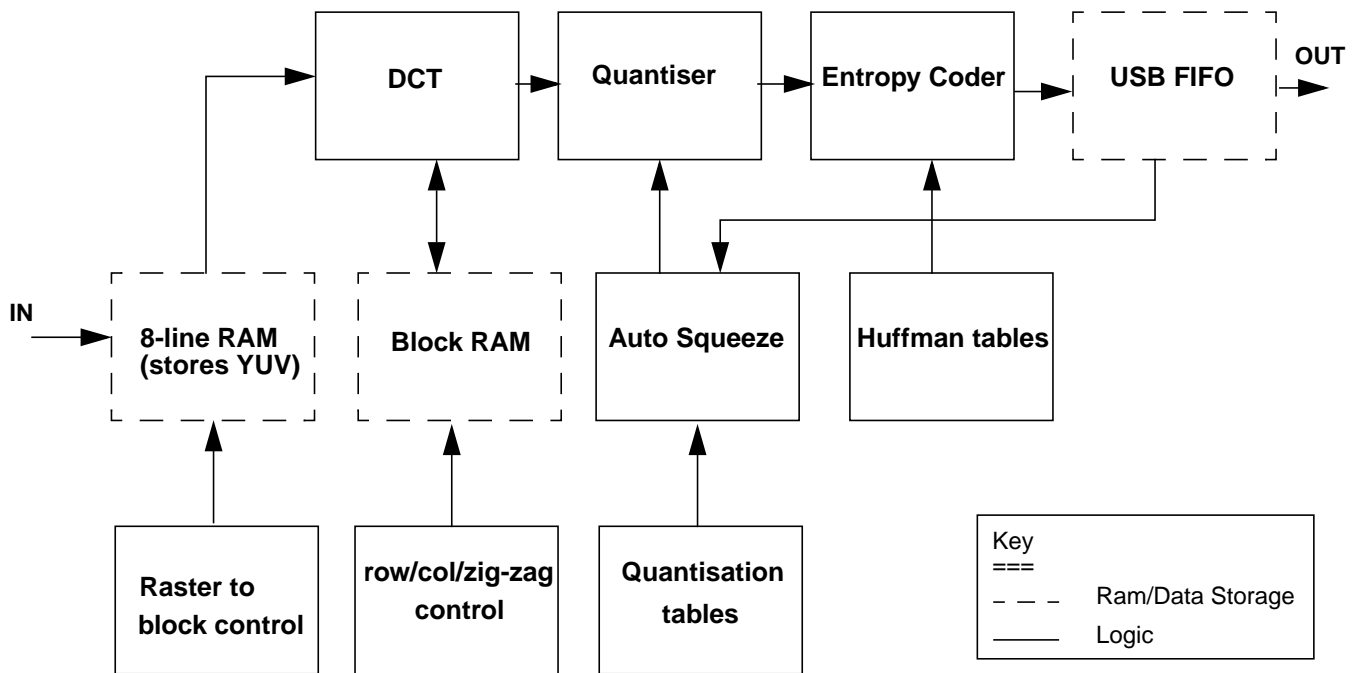


Figure 3 : STV0672 VC Block Diagram

2.4 Control Processor

The embedded 8052 microprocessor core plays a very important role within the STV0672 controlling data flow through the major sub blocks within STV0672 as well as the I2C communications to reconfigure VP in line with requests from the device driver.

2.5 V6410/VV6500 General Description

The VV6410 sensor is a CIF format, 352 x 288 pixels, CMOS image sensor capable of outputting digital pixel data at frame rates, of up to 30 frames per second. The VV6500 sensor is a VGA format, 640 x 480 pixels, CMOS image sensor capable of outputting digital pixel data at frame rates, of up to 15 frames per second (in VGA mode). Both sensor arrays are covered by colour filters.

VV6410/VV6500 have on-chip 10-bit analogue to digital converters and are designed to interface directly to the STV0672 co-processor chip as described above.

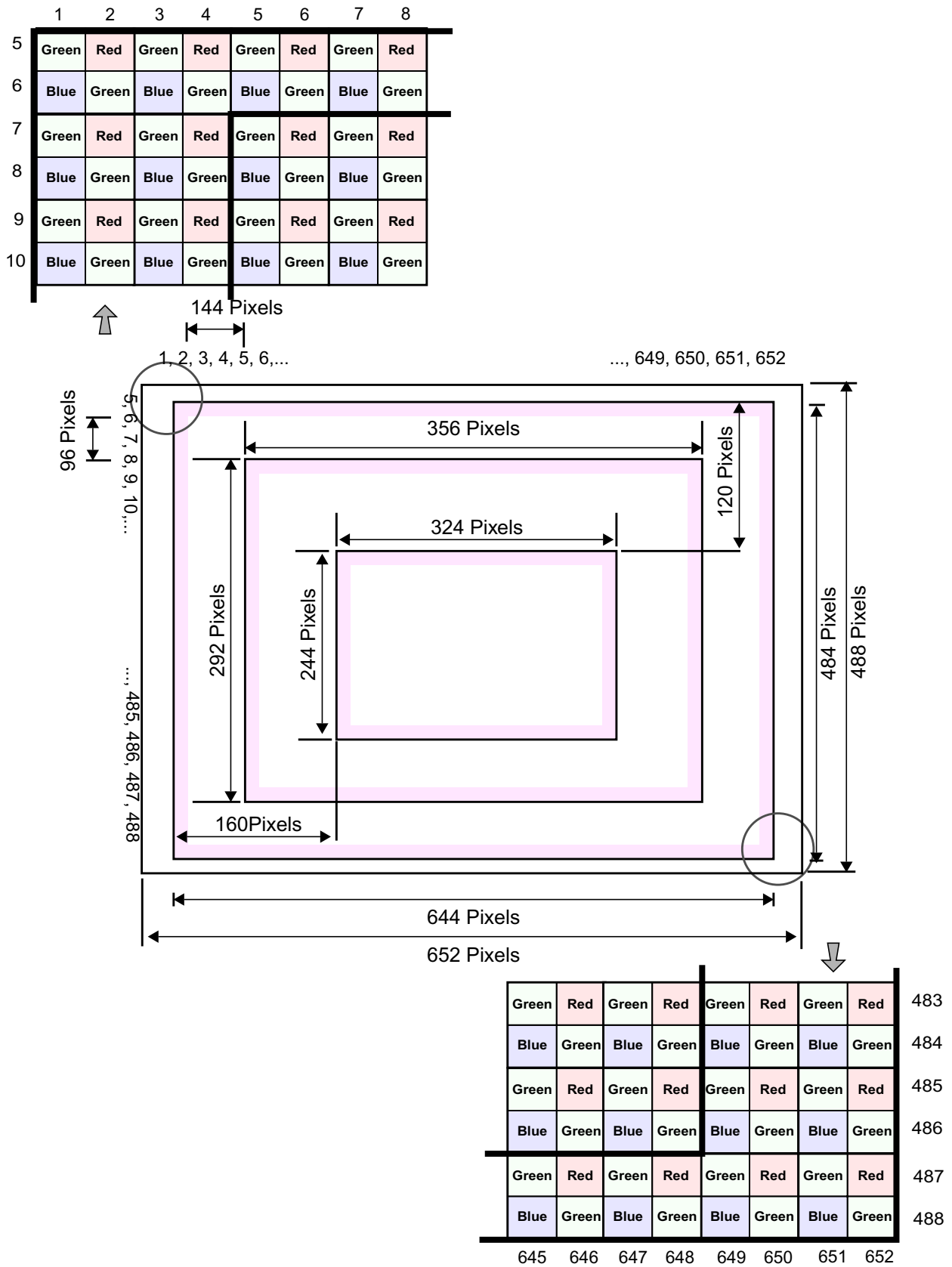


Figure 6 : Image Formats

2.7 Suspend Mode

Under the control of the SUSPEND pin VV6410/VV6500 can be forced into an ultra low power mode. The sensor will consume less than 80 μ A of current while suspended and the STV0672 device will consume approximately 50 μ A. The total chipset consumption therefore is approximately 150 μ A.

The sensor will enter suspend mode when the SUSPEND pin has been driven high. The SUSPEND mode is effectively identical to a power-on-reset - all the video timing blocks within the sensor are reset as are the contents of the serial interface, therefore the user will have to perform a complete reconfiguration of the device on exiting SUSPEND.

Mode	Description	Approx. Module Current
Suspend	Camera module in lowest power state. Suspend has been asserted by host. The clock to sensor has been removed and all blocks within STV0672 have been powered down.	c.100 μ A

Table 2 : STV0672 chipset power consumption

2.8 Still Image Upload and Remote Wake-Up

The present STV0672 reference design includes 2 micro switches, identified as SW1 and SW2. Two special functions are supported by these switches - image upload via a TWAIN driver and remote wake up of the host.

Presently both of these features will be invoked by depressing SW1. If the camera/host is in standby mode then pressing SW1 will force the system to wake up. Thereafter SW1 will control the uploading of still images to the host. It is important to note that STV0672 must always be used in tethered mode, attached to a PC, and there is no local memory for image storage.

3. External Interfaces

3.1 USB Interface

The USB Interface is designed to be compliant with the Version 1.1 of the USB Specification. The STV0672 chipset solution is a High Power Device and is therefore suitable for connection to any USB port on a PC or on a self-powered hub. It will not function when connected to a bus-powered hub as there may be insufficient power available.

The device fits into the Device Framework specified in Chapter 9 of the USB Specification as follows:

- The device supports a single high power configuration (*Configuration 1*).
- *Endpoint 0* is the default control endpoint and is always supported
- *Endpoint 0* supports all of the USB commands required by the device framework.
- Vendor Specific commands on *Endpoint 0* are used for all device control.
- *Configuration 1* supports a single interface (*Interface 0*)
- *Interface 0* supports 8 alternate settings (*Alternates 0-7*)
- The alternate settings support between 0 and 2 additional endpoints.
- *Endpoint 1* is used for Isochronous transfer of image data
- *Endpoint 3* is used for transferring status information, e.g. state of a hardware button.
- The endpoints are configured as follows in the alternate settings:

Alternate Setting	Endpoint1 (Isochronous)	Endpoint3 (Interrupt)
0	Not present	Not present
1	Not present	8 bytes/packet; 1 packet/8 Frames
2	128 bytes/packet; 1 Packet/frame	8 bytes/packet; 1 packet/8 Frames
3	384 bytes/packet; 1 Packet/frame	8 bytes/packet; 1 packet/8 Frames
4	640 bytes/packet; 1 Packet/frame	8 bytes/packet; 1 packet/8 Frames
5	768 bytes/packet; 1 Packet/frame	8 bytes/packet; 1 packet/8 Frames
6	896 bytes/packet; 1 Packet/frame	8 bytes/packet; 1 packet/8 Frames
7	1023 bytes/packet; 1 Packet/frame	8 bytes/packet; 1 packet/8 Frames

Table 3 : Endpoint Alternate Settings

The best and most consistent performance in terms of image quality will always be obtained in the highest bandwidth setting (Alternate 7). Under some circumstances it may not be possible for the host to allocate this amount of USB bandwidth to the device.

The isochronous settings reserve varying quantities of bandwidth - from 10% to 85% of USB bandwidth. The lower settings will give poor image quality due to heavy compression applied to maintain high framerate streaming of image data, but at the same time will leave more bandwidth free for other USB devices. This may be more desirable if more than one camera is to be used, or if there are other isochronous peripherals connected. The device driver allows the user to specify the maximum bandwidth they wish to allocate to data transfer from the device. If the maximum specified by the user is not available, perhaps because another isochronous device has already reserved that bandwidth, then lower alternates will be tried until one succeeds.

Benchmark testing of the STV0672 indicates that 30fps CIF video (compressed) can be accommodated in 50% of USB bandwidth.

3.2 USB Vendor ID (VID) and Product ID (PID)

All USB devices will report a VID and PID as part of a Standard Device Descriptor. The VID and PID for STV0672 are configured

by the state of the Digiport bus bits. The Digiport also controls the device current consumption that is reported to the host at device enumeration. The current reference design for the STV0672-chipset has Digiport[7:0] connected to VSS, thus the VID and PID are 16'h0553 and 16'h0100 respectively.

Digiport bit slice	Function
[3:0]	Configures the Is nibble of the PID
[5:4]	Master VID/PID select
[7:6]	Power setting

Table 4 : Basic Digiport Configuration

Digiport[3:0]	PID Is nibble
4'b0000	4'b0000
4'b0001	4'b0001
4'b0010	4'b0010
4'b0011	4'b0011
4'b0100	4'b0100
4'b0101	4'b0101
4'b0110	4'b0110
4'b0111	4'b0111
4'b1000	4'b1000
4'b1001	4'b1001
4'b1010	4'b1010
4'b1011	4'b1011
4'b1100	4'b1100
4'b1101	4'b1101
4'b1110	4'b1110
4'b1111	4'b1111

Table 5 : Digiport Is nibble Configuration

Digiport[5:4]	VID/PID Reported
2'b00	16'h0553/16'h010x ¹
2'b01	16'h0553/16'h011x ²
2'b10	16'h0553/16'h012x ³

Table 6 : Master VID/PID Selection

Digiport[5:4]	VID/PID Reported
2'b11	16'h0553/16'h013x ⁴

Table 6 : Master VID/PID Selection

1. The 'x' ls nibble of the PID is defined by the value from Table 5 above
2. The 'x' ls nibble of the PID is defined by the value from Table 5 above
3. The 'x' ls nibble of the PID is defined by the value from Table 5 above
4. The 'x' ls nibble of the PID is defined by the value from Table 5 above

Digiport[7:6]	Current consumption reported
2'b00	250mA
2'b01	300mA
2'b10	400mA
2'b11	500mA

Table 7 : Device Power Consumption Indicator

3.3 General Purpose Input and Output Signals, Microport, DigiPort and External EEPROM

The present datasheet makes no attempt to discuss some of the peripheral functions that could be offered with the STV0672 chipset. It may be appropriate for such features to be included in a later version of this datasheet.

If any customers require more information on these features please contact STMicroelectronics.

4. Detailed specifications

4.1 STV0672 Absolute Max Ratings

Description	Range	Unit
Operating Temperature	0 to 70	°C
Storage Temperature	-50 to 150	°C
Voltage on USB D+/D-	0 - VDD	V

4.2 STV0672 AC/DC Characteristics

Parameter	Description	Min	Typ	Max	Units	Comments
VDD	Primary STV0672 Power Supply	3.0	3.3	3.6	V	
VDDU	Power Supply for on-chip USB transceiver	3.0	3.3	3.6	V	
I _{suspend}	STV0672 suspend mode current			20	μA	VDD at 3V3
I _{active}	STV0672 active, high power mode current			150	mA	VDD at 3V6 when streaming VGA video at 15fps.
I _{active}	STV0672 active, low power mode current		22		mA	VDD at 3V6 with VV6410 sensor
			32		mA	VDD at 3V6 with VV6500 sensor
I _{leakage}	Leakage current		+/-2		μA	
V _{ILU}	USB differential pad D+/D- input low			0.8	V	
V _{IHU}	USB differential pad D+/D- input high (driven) ¹	2.0			V	
V _{IHUZ}	USB differential pad D+/D- input high (floating) ²	2.7		3.6	V	
V _{DI}	USB differential pad D+/D- input sensitivity ³	0.2			V	
V _{CM}	USB differential pad D+/D- common mode voltage ⁴	0.8		2.5	V	
V _{OLU}	USB differential pad D+/D- output low voltage ⁵	0.0		0.3	V	
V _{OHU}	USB differential pad D+/D- output high voltage ⁶	2.8		3.6	V	
V _{OHU}	USB differential pad D+/D- output high voltage ⁷	2.8		3.6	V	
V _{CRS}	USB differential pad D+/D- output signal cross over voltage ⁸	1.3		2.0	V	
V _{IL}	CMOS input low voltage			0.35VDD	V	
V _{IH}	CMOS input high voltage	0.65VDD			V	
V _T	Threshold point		1.65		V	
V _{OH}	Output high voltage	2.4			V	
V _{OL}	Output low voltage			0.4	V	
CLK _{in}	Input clock frequency ⁹		12	24	MHz	

1. These parameters are not measured but STMicroelectronics will guarantee the published values.
2. These parameters are not measured but STMicroelectronics will guarantee the published values.
3. $V_{DI} = [(D+) - (D-)]$
4. V_{CM} includes V_{DI} range.
5. These parameters are not measured but STMicroelectronics will guarantee the published values.
6. These parameters are not measured but STMicroelectronics will guarantee the published values.
7. These parameters are not measured but STMicroelectronics will guarantee the published values.
8. These parameters are not measured but STMicroelectronics will guarantee the published values.
9. Although the device is tested at an upper limit of 24MHz, the USB specification version 1.1 states that the maximum clock input frequency is 12MHz

4.3 Chipset VV6410/VV6500+STV0672

Mode of Operation		VV6410+STV0672	VV6500+STV0672
Standby mode	Camera module in lowest power state. Suspend has been asserted by host. The clock to sensor has been removed and all blocks within STV0672 have been powered down.	c.100µA	c.100µA
Start-up mode	STV0672 is in low power mode. Fast clocks enabled allowing STV0672 to process commands from host PC. Sensor and video processor module are held in reset	c.22mA	c.32mA
Active mode	All STV0672 modules and sensor are enabled with video data being transferred to host PC.	c.140mA	c.190mA

Table 8 : VV6410/VV6500+STV0672 chipset current consumption

4.1 VV6410 AC/DC Specification

Parameter	Comment	Units
Image Format	356 x 292 pixels (CIF)	-
Pixel Size	7.5 x 6.9	µm
Technology	0.5µm 3 level metal CMOS	-
Array Format	CIF	-
Exposure control range	81 (minimum exposure period 3µs and maximum exposure period is 33ms)	db
Supply Voltage	3.0-6.0 DC +/-10%	V
Operating Temp. range	0 - 40	°C
$V_{OL_max}^2$	0.512	V
$V_{OH_min}^3$	2.054	V
$V_{I_maxL}^4$	0.683	V
$V_{IH_min}^5$	2.237	V
Serial interface frequency range	0-100kHz	

1. We assume CIF (30fps) mode, input clock of 16MHz and internal clock divisor of 1.
2. This will be worst case reading. Device outputs had significant capacitive loading and supply voltage reduced to 2V7
3. This will be worst case reading. Device outputs had significant capacitive loading and supply voltage reduced to 2V7
4. This will be worst case reading. Device outputs had significant capacitive loading and supply voltage reduced to 2V7
5. This will be worst case reading. Device outputs had significant capacitive loading and supply voltage reduced to 2V7

Table 9 : VV6410 DC specification

4.2 VV6500 AC/DC Specification

Parameter	Comment	Units
Image Format	644 x 484pixels (VGA)	-
Pixel Size	7.5 x 7.5	μm
Technology	0.5μm 3 level metal CMOS	-
Array Format	VGA	-
Exposure control range	81 (minimum exposure period 3μs and maximum exposure period is 33ms)	db
Supply Voltage	3.0-6.0 DC +/-10%	V
Operating Temp. range	0 - 40	°C
$V_{OL_max}^2$	TBA	V
$V_{OH_min}^3$	TBA	V
$V_{I_maxL}^4$	TBA	V
$V_{IH_min}^5$	TBA	V
Serial interface frequency range	0-100	kHz

1. We assume CIF (30fps) mode, input clock of 16MHz and internal clock divisor of 1.
2. This is worst case reading. Device outputs had significant capacitive loading and supply voltage reduced to 2V7
3. This is worst case reading. Device outputs had significant capacitive loading and supply voltage reduced to 2V7
4. This is worst case reading. Device outputs had significant capacitive loading and supply voltage reduced to 2V7
5. This is worst case reading. Device outputs had significant capacitive loading and supply voltage reduced to 2V7

Table 10 : Preliminary Data for VV6500

4.3 VV6410 Optical Characterisation Data

Optical Parameter	Min	Typical	Max	Units
Dark Current	-	46	-	mV/sec
Average Sensitivity	-	2.1	-	V/lux.sec
Fixed Pattern Noise (FPN)	-	1.74	-	mV
Vertical Fixed Pattern Noise (VFPN)	-	1.2	-	mV
Random Noise	-	1.17	-	mV
Sensor SNR	-	c.56	-	dB
Shading (Gross)	-	0.9	-	mV

Table 11 : VV6410 Optical Characterisation Data

4.4 VV6500 Optical Characterisation Data

Optical Parameter	Min	Typical	Max	Units
Dark Current	-	TBA	-	mV/sec
Average Sensitivity	-	TBA	-	V/lux.sec
Fixed Pattern Noise (FPN)	-	TBA	-	mV
Vertical Fixed Pattern Noise (VFPN)	-	TBA	-	mV
Random Noise	-	TBA	-	mV
Sensor SNR	-	TBA	-	dB
Shading (Gross)	-	TBA	-	mV

Table 12 : VV6500 Optical Characterisation Data

4.4.1 Noise Parameters and Dark Current

Various noise parameters are measured on the 410 and 500 series sensors as follows:

- Fixed Pattern Noise (FPN)
- Vertical Fixed Pattern Noise (VFPN)
- Random Noise
- Fine Shading
- Gross Shading

The parameters will be described in more detail below along with the data produced by the characterisation programme.

4.4.2 Blooming

Blooming is a phenomenon that does not affect CMOS sensors in the same way as CCD imagers are afflicted. With a CCD blooming can cause an entire column/columns to flood and saturate.

CMOS imagers are however affected by a different type of saturation. If an intense light source, (e.g. Maglite torch), is shone at very close proximity to the image sensor the pixel sampling mechanism will break down and rather than displaying a saturated white light a black image will occur.

The 410 pixel architecture uses Correlated Double Sampling (CDS) to help reduce noise in the system. The pixel is read normally first, yielding the true integrated signal information, then the pixel is reset and very quickly read for a second time. This normally yields black information - as the pixel has had no exposure time - that can be subtracted from the signal from the first read. This subtraction will remove much of the noise from the pixel leaving only the useful signal information.

In an example where a pixel has saturated in both the first and the second reads due to an intense light source. When the noise cancellation subtraction operation is then performed the result is close to zero signal from the pixel therefore resulting in the displayed black image.

We do not perform any test measurements for this phenomenon.

4.4.3 Dark Current

This is defined as the rate at which the average pixel voltage increases over time with the device not illuminated. The dark current will be measured at a gain setting of 4 and a clock divisor of 16 at a fixed temperature and will be expressed in mV.

4.4.4 Fixed Pattern Noise

The FPN of an image sensor is the average pixel non-temporal noise divided by the average pixel voltage. The illumination

source will be white light that has been IR filtered, producing a diffuse uniform illumination at the surface of the sensor package. The FPN will be calculated at coarse exposure settings of 0,10,150,250 and 302 with gain set to 1. 10 frames are grabbed and averaged to produce a temporally independent frame before each calculation. FPN will be expressed in mV.

4.4.5 Vertical Fixed Pattern Noise

VFPN describes the spatial noise in an image sensor related to patterns with a vertical orientation. The VFPN is defined as the standard deviation over all columns of the average pixel voltage for each column determined at zero exposure and zero illumination. VFPN will be expressed in mV.

4.4.6 Random Noise

Random noise is the temporal noise component within the image. Random noise will be expressed in mV.

4.4.7 Shading

This describes how average pixel values per "block" change across the image sensor array. For fine shading calculations the image sensor array is split into 30 pixel by 30 pixel blocks. An average value is then calculated for each block and the averages are then compared across the whole device. The blocks are increased in size to 60 pixels by 60 pixels for the gross shading calculation. Shading will be expressed in mV.

4.5 VV6410 Power Consumption

Operating Condition	Current Consumption
Low power mode current consumption	5.6mA
Sleep mode current consumption ¹	18mA
Suspend mode current consumption (with CLKIP disabled)	85uA
Normal operating mode current consumption ²	26.2mA

1. Estimated figures - this parameter was not measured during final characterisation
2. Measured while device is clocked at 16MHz and streaming CIF video at 30fps

4.6 VV6500 Power Consumption

Operating Condition	Current Consumption
Low power mode current consumption	7.6mA
Sleep mode current consumption ¹	18mA
Suspend mode current consumption (with CLKIP disabled)	74uA
Normal operating mode current consumption ²	42mA (max)

1. Estimated figures - this parameter was not measured during final characterisation
2. Measured while device is clocked at 24MHz and streaming VGA video at 30fps

Table 13 : VV6410 Current consumption in different modes

4.7 Digital Input Pad Pull-Up and Pull-Down Strengths (VV6410 and VV6500)

Pad Type	Pads	Min current	Max Current
Library pulldown	suspend	35 μ A	52 μ A
Library pullup	sclk, sda, oeb	25 μ A	42 μ A
Custom pullup	resetb	66 μ A	250 μ A

Table 14 : Pad Pull-up/Pull-down Strengths

5. Pinout and pin descriptions

5.1 VV6410 Pin Details

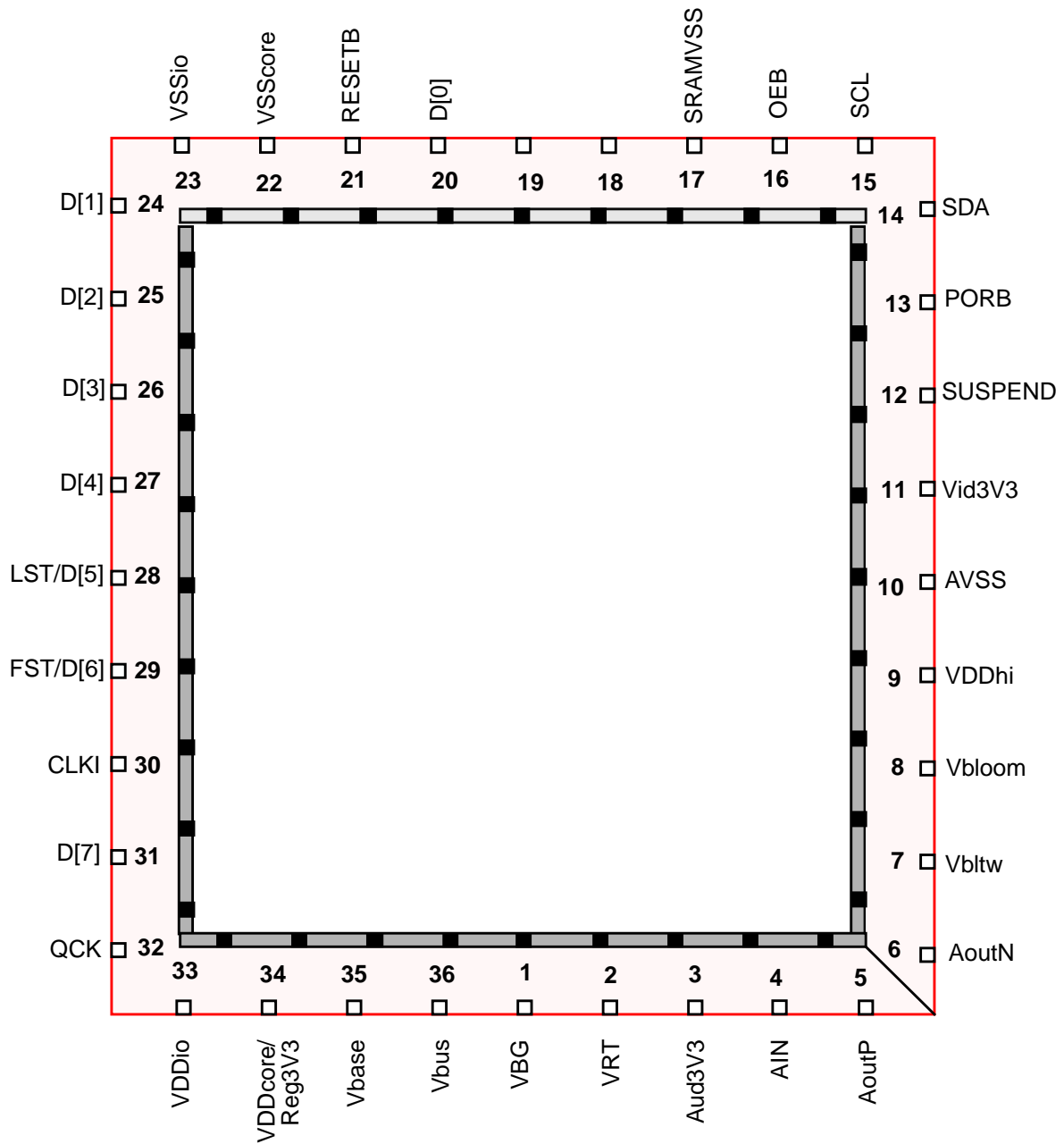


Figure 7 : 36 pin CLCC package pin assignment

Name	Pin Number	Type	Description
POWER SUPPLIES			
AVSS	10	GND	Core analog ground and reference supplies.

Name	Pin Number	Type	Description
SRAMVSS	17	GND	In-column SRAM analog ground.
VDDcore/ Reg3V3	34	PWR	Digital logic power.
VDDio	33	PWR	Digital pad ring power.
VSScore	22	GND	Digital logic ground.
VSSio	23	GND	Digital pad ring ground.
Vid3V3	11	PWR	On-chip Video Supply Voltage Regulator Output
Aud3V3	3	PWR	On-chip Audio Amplifier Voltage Regulator Output
ANALOG SIGNALS			
Vbloom ¹	8	OA	Anti-blooming pixel reset voltage
VBLTW ²	7	OA	Bitline test white level reference
VBG	1	OA	Internally generated bandgap reference voltage 1.22V
VRT ³	2	IA	Pixel reset voltage (nominally a monitor point but can be overdriven externally)
VDDHI	9	IA	Voltage doubler output, 4.6V -> 4.8V
VBase	35	OA	Drive for base of external bipolar
Vbus	36	IA	Incoming power supply 3.3 -> 6V
AIN	4	IA	Analog input to Audio Amplifier
AOutP	5	OA	Analog output of Audio Amplifier (positive)
AOutN	6	OA	Analog output of Audio Amplifier (negative)
PORB	13	OD	Power-on Reset (Bar) Output.
DIGITAL VIDEO INTERFACE			
D[4]	27	ODT	Tri-stateable 5-wire output data bus. - D[4] is the most significant bit. - D[4:0] have programmable drive strengths 2, 4 and 6 mA
D[3]	26		
D[2]	25		
D[1]	24		
D[0]	20		
QCK	32	ODT	Tri-stateable data qualification clock.
LST/D[5]	28	ODT	Tri-stateable Line start output May be configured as tri-stateable output data bit 5 D[5].
FST/D[6]	29	ODT	Tri-stateable Frame start signal. May be configured as tri-stateable output data bit 6 D[6].
D[7]	31	ODT	Tri-stateable Data wire (ms data bit). May be configured as tri-stateable output data bit 6 D[6].

Name	Pin Number	Type	Description
OEB	16	ID↓	Digital output (tri-state) enable.
DIGITAL CONTROL SIGNALS			
RESETB	21	ID↑	System Reset. Active Low. May be configured as System Sync. Active Low.
SUSPEND	12	ID↑	USB Suspend Mode Control signal. Active High If this feature is not required then the support circuit must pull the pin to ground. The combination of an active high signal and pull up pad was chosen to limit current drawn by the device while in suspend mode.
SERIAL INTERFACE			
SCL	15	BI↑	Serial bus clock (input only).
SDA	14	BI↑	Serial bus data (bidirectional, open drain).
SYSTEM CLOCKS			
CLKI	30	ID↓	Schmitt Buffered Clock input or LVDS positive Clock input

1. **Vbloom pin was bonded on pre-production samples but will not be bonded on production parts**
2. **VBLTW pin was bonded on pre-production samples but will not be bonded on production parts**
3. **VRT pin was bonded on pre-production samples but will not be bonded on production parts**

Key			
A	Analog Input	D	Digital Input
OA	Analog Output	ID↑	Digital input with internal pull-up
BI	Bidirectional	ID↓	Digital input with internal pull-down
BI↑	Bidirectional with internal pull-up	OD	Digital Output
BI↓	Bidirectional with internal pull-down	ODT	Tri-stateable Digital Output

5.2 VV6500 Pin Details

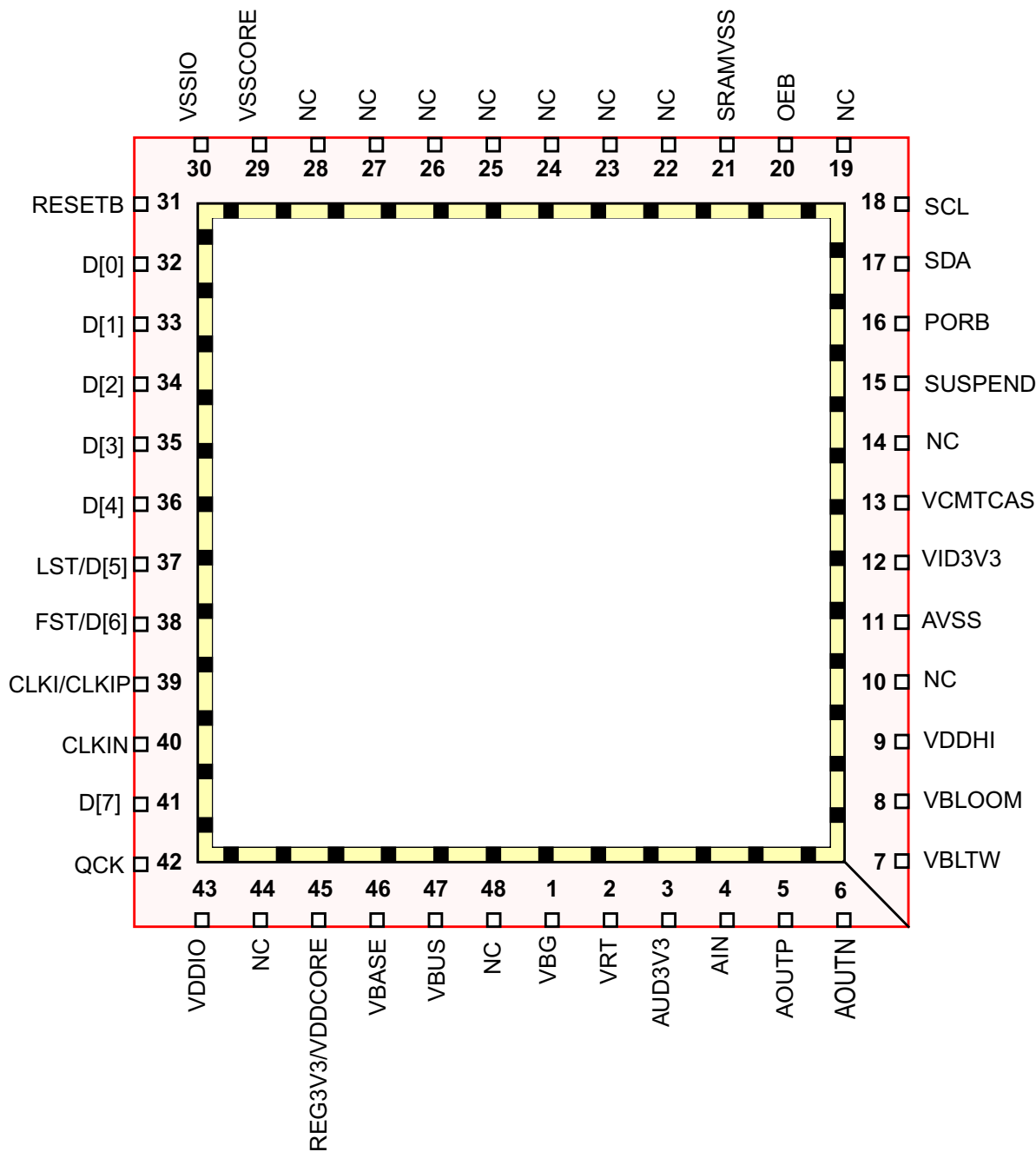


Figure 8 : 48 pin LCC package pin assignment

Name	Pin Number	Type	Description
POWER SUPPLIES			
AVSS	11	GND	Core analog ground and reference supplies.

Name	Pin Number	Type	Description
SRAMVSS	21	GND	In-column SRAM analog ground.
VDDIO	43	PWR	Digital pad ring power.
VSSCORE	29	GND	Digital logic ground.
VSSIO	30	GND	Digital pad ring ground.
SRAMVSS	21	GND	In-column SRAM analogue ground.
VDDCORE/ REG3V3 ¹	45	PWR	Digital logic power/Regulated 3V3 digital supply
VID3V3	12	PWR	On-chip Video Supply Voltage Regulator Output
AUD3V3	3	PWR	On-chip Audio Amplifier Voltage Regulator Output
ANALOG SIGNALS			
VBLOOM ²	8	OA	Anti-blooming pixel reset voltage
VBLTW ³	7	OA	Bitline test white level reference
VBG	1	OA	Internally generated bandgap reference voltage 1.22V
VCMTCAS	13	IA	Common-mode input for column pre-amp.
VRT ⁴	2	IA	Pixel reset voltage (nominally a monitor point but can be overdriven externally)
VDDHI	9	OA	Output from voltage doubler, 4.6V -> 4.8V
VBASE	46	OA	Drive for base of external bipolar
VBUS	47	IA	Incoming power supply 3.3V-> 6V
AIN	4	IA	Analog input to Audio Amplifier
AOUTP	5	OA	Analog output of Audio Amplifier (positive)
AOUTN	6	OA	Analog output of Audio Amplifier (negative)
PORB	16	OA	Power-on Reset (Bar) Output.
DIGITAL VIDEO INTERFACE			
D[4]	36	ODT	Tri-stateable 5-wire output data bus. - D[4] is the most significant bit. - D[4:0] have programmable drive strengths 2, 4 and 6 mA
D[3]	35		
D[2]	34		
D[1]	33		
D[0]	32		
QCK	42	ODT	Tri-stateable data qualification clock.
CLKIN	40	BI \uparrow	LVDS negative Clock input
LST/D[5]	37	ODT	Tri-stateable Line start output May be configured as tri-stateable output data bit 5 D[5].

Name	Pin Number	Type	Description
FST/D[6]	38	ODT	Tri-stateable Frame start signal. May be configured as tri-stateable output data bit 6 D[6].
D[7]	41	ODT	Tri-stateable Data wire (ms data bit). May be configured as tri-stateable output data bit 6 D[6].
OEB	20	ID↓	Digital output (tri-state) enable.
DIGITAL CONTROL SIGNALS			
RESETB	31	ID↑	System Reset. Active Low. May be configured as System Sync. Active Low.
SUSPEND	15	ID↑	USB Suspend Mode Control signal. Active High If this feature is not required then the support circuit must pull the pin to ground. The combination of an active high signal and pull up pad was chosen to limit current drawn by the device while in suspend mode.
SERIAL INTERFACE			
SCL	18	BI↑	Serial bus clock (input only).
SDA	17	BI↑	Serial bus data (bidirectional, open drain).
SYSTEM CLOCKS			
CLKI/CLKIP	39	ID↓	Schmitt Buffered Clock input or LVDS positive Clock input
CLKIN	40	ID↓	LVDS negative Clock input

1. Pre production samples of this device had Reg3V3 and VDDCORE bonded out separately. The production version of the device will have Reg3V3 and VDDCORE common bonded out to pin 45. There will be no requirement to change ANY support design/PCB's as the two signals from pin 44 and pin 45 were connected together on the reference design.
2. Vbloom pin was bonded on pre-production samples but will not be bonded on production parts
3. VBLTW pin was bonded on pre-production samples but will not be bonded on production parts
4. VRT pin was bonded on pre-production samples but will not be bonded on production parts

Key			
A	Analog Input	D	Digital Input
OA	Analog Output	ID↑	Digital input with internal pull-up
BI	Bidirectional	ID↓	Digital input with internal pull-down
BI↑	Bidirectional with internal pull-up	OD	Digital Output
BI↓	Bidirectional with internal pull-down	ODT	Tri-stateable Digital Output

5.3 STV0672 Pin Details

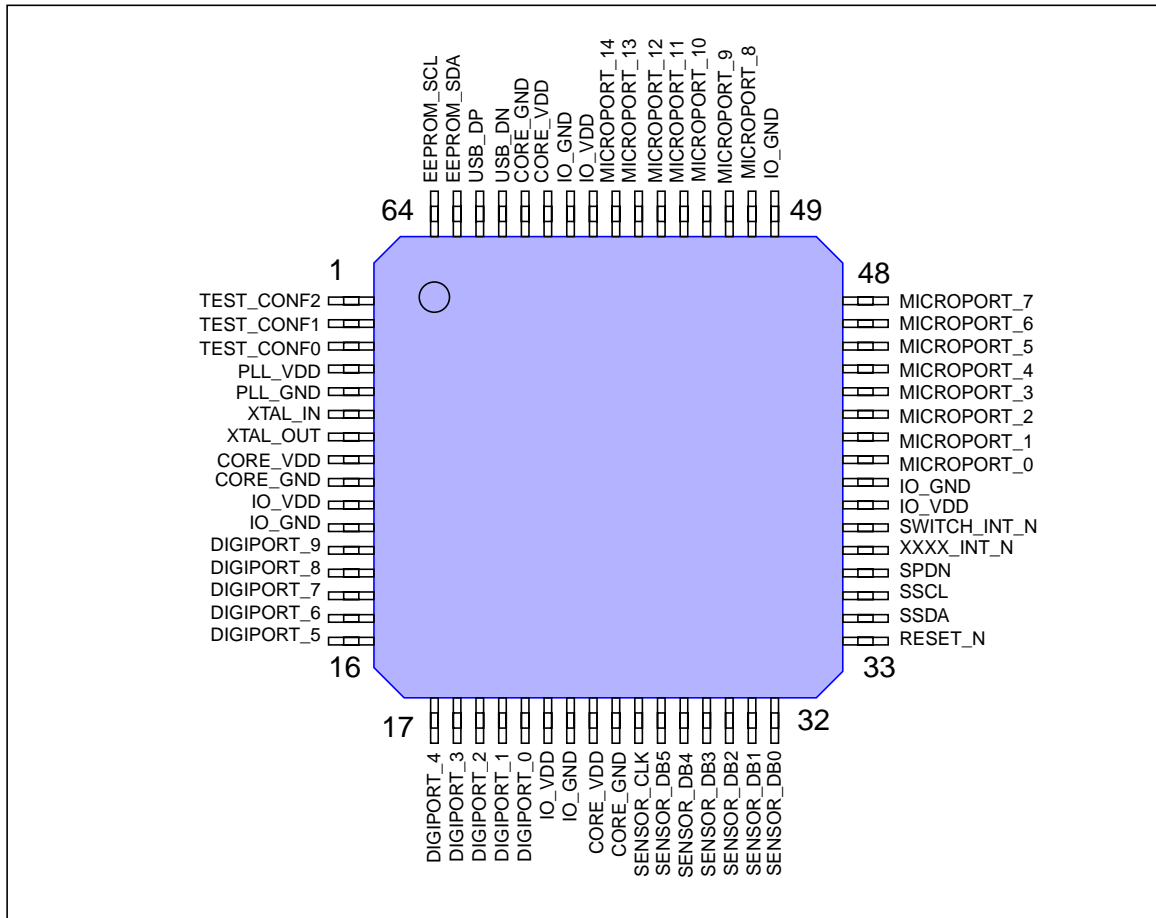


Figure 9 : CPIA 2 Pinout - Packaged in 64 TQFP

Pin	Signal	Type	Description
POWER SUPPLIES			
1	TEST_CF0	INPUT	Test configuration bit - connect to VDD for normal operation
2	TEST_CF1	INPUT	Test configuration bit - connect to VDD for normal operation
3	TEST_CF2	INPUT	Test configuration bit - connect to VDD for normal operation
4	PLL_VDD	INPUT	VDD for internal phase locked loop
5	PLL_GND	INPUT	GND for internal phase locked loop
8	CORE_VDD	INPUT	VDD for core logic
9	CORE_VSS	INPUT	Ground for core logic
10	IO_VDD	INPUT	VDD for pad ring
11	IO_VSS	INPUT	Ground for pad ring
22	IO_VDD	INPUT	VDD for pad ring
23	IO_VSS	INPUT	Ground for pad ring

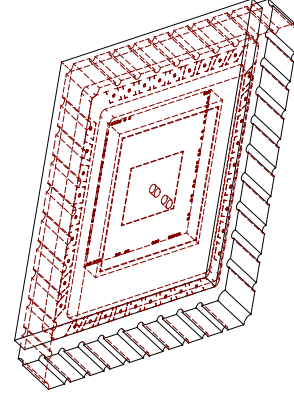
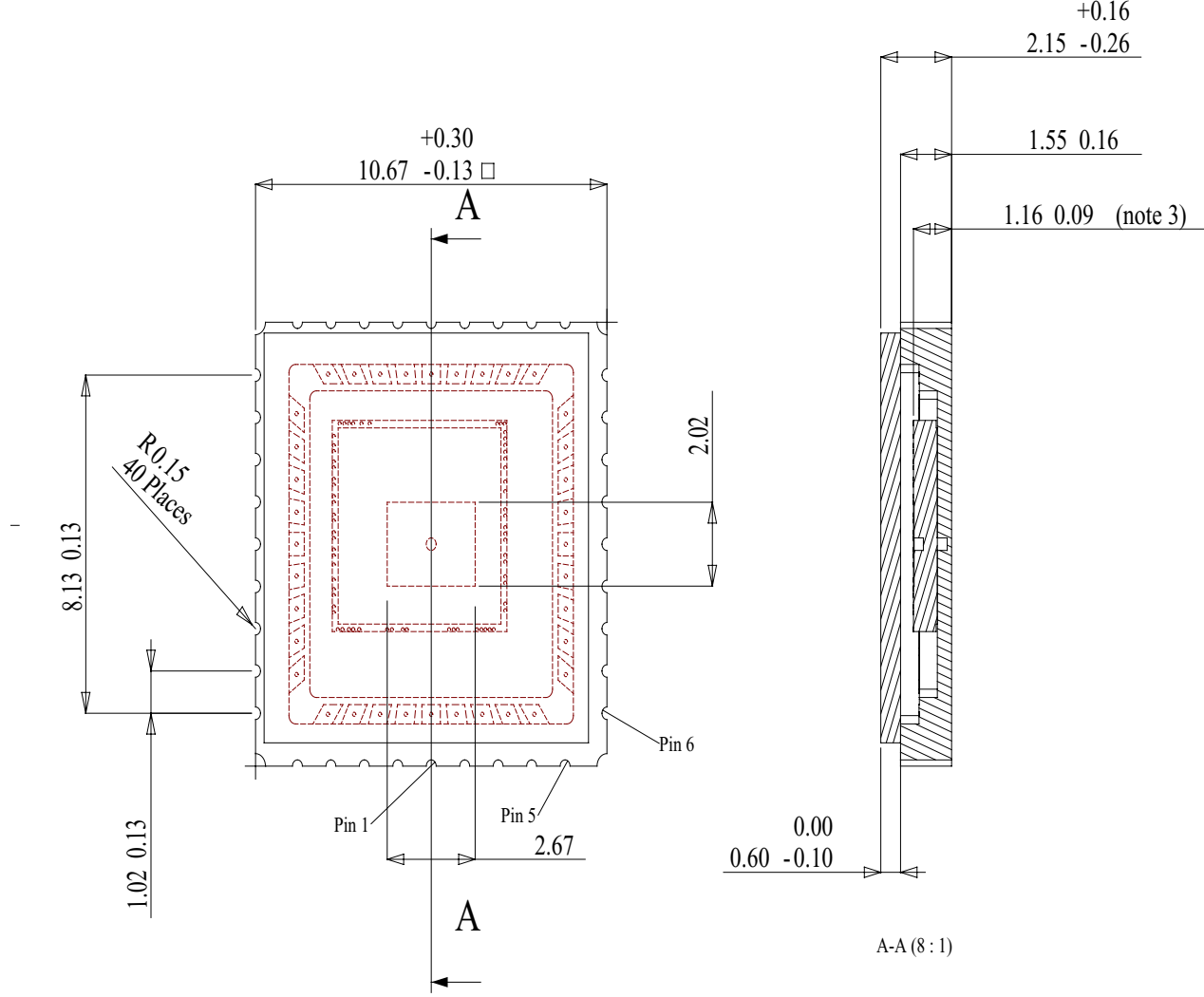
Pin	Signal	Type	Description
24	CORE_VDD	INPUT	VDD for core logic
25	CORE_VSS	INPUT	Ground for core logic
39	IO_VDD	INPUT	VDD for pad ring
40	IO_VSS	INPUT	Ground for pad ring
49	IO_VSS	INPUT	Ground for pad ring
57	CORE_VDD	INPUT	VDD for core logic
58	CORE_VSS	INPUT	Ground for core logic
59	IO_VDD	INPUT	VDD for pad ring
60	IO_VSS	INPUT	Ground for pad ring
DEVICE MASTER CLOCK AND RESET			
6	XTAL_IN	ANA	System clock pad
7	XTAL_OUT	OSC	System clock pad
33	RESET_N	SCHMITT	System, power-on-reset supplied by companion sensor
DIGIPORT/USB CONFIG INTERFACE			
12	DIGIPORT_9 ¹	BIDIR	unused (leave unconnected) ²
13	DIGIPORT_8	BIDIR	unused (connect to VSS)
14	DIGIPORT_7	BIDIR	Programmable USB vendor ID
15	DIGIPORT_6	BIDIR	Programmable USB vendor ID
16	DIGIPORT_5	BIDIR	Programmable USB vendor ID
17	DIGIPORT_4	BIDIR	Programmable USB vendor ID
18	DIGIPORT_3	BIDIR	Programmable USB vendor ID
19	DIGIPORT_2	BIDIR	Programmable USB vendor ID
20	DIGIPORT_1	BIDIR	Programmable USB vendor ID
21	DIGIPORT_0	BIDIR	Programmable USB vendor ID
SENSOR INTERFACE			
26	SENSOR_CLK	BIDIR	VV6410/VV6500 Sensor Clock
27	SENSOR_DB5	BIDIR	VV6410/VV6500 Sensor Data Bus [bit5]
28	SENSOR_DB4	BIDIR	VV6410/VV6500 Sensor Data Bus [bit4]
29	SENSOR_DB3	BIDIR	VV6410/VV6500 Sensor Data Bus [bit3]
30	SENSOR_DB2	BIDIR	VV6410/VV6500 Sensor Data Bus [bit2]
31	SENSOR_DB1	BIDIR	VV6410/VV6500 Sensor Data Bus [bit1]
32	SENSOR_DB0	BIDIR	VV6410/VV6500 Sensor Data Bus [bit0]
34	SSDA	3 state	VV6410/VV6500 Sensor Serial Interface Data
35	SSCL	3 state	VV6410/VV6500 Sensor Serial Interface Clock
36	SPDN	BIDIR	Control line to sensor to select ultra low power SUSPEND mode
MISC CONTROL			
37	$\overline{\text{XX_INT}}$	INPUT	Remote wakeup
38	$\overline{\text{SWITCH_INT}}$	INPUT	Load TWAIN driver data upload
MICROPORT/GPIO INTERFACE			
41	MICROPORT_0 ³	BIDIR	General Purpose Input/Output (GPIO)

Pin	Signal	Type	Description
42	MICROPORT_1	BIDIR	General Purpose Input/Output (GPIO)
43	MICROPORT_2	BIDIR	General Purpose Input/Output (GPIO)
44	MICROPORT_3	BIDIR	General Purpose Input/Output (GPIO)
45	MICROPORT_4	BIDIR	General Purpose Input/Output (GPIO)
46	MICROPORT_5	BIDIR	General Purpose Input/Output (GPIO)
47	MICROPORT_6	BIDIR	General Purpose Input/Output (GPIO)
48	MICROPORT_7	BIDIR	General Purpose Input/Output (GPIO)
50	MICROPORT_8 ⁴	BIDIR	VDD
51	MICROPORT_9	BIDIR	VSS
52	MICROPORT_10	BIDIR	VDD
53	MICROPORT_11	BIDIR	VDD
54	MICROPORT_12	BIDIR	VDD
55	MICROPORT_13	BIDIR	VSS
56	MICROPORT_14	BIDIR	VSS
USB INTERFACE			
61	USB_DN	BIDIR	USB data line
62	USB_DP	BIDIR	USB data line
EEPROM INTERFACE			
63	EEPROM_SDA	BIDIR	Serial data to/from the EEPROM
64	EEPROM_SCL	OUTPUT	Serial clock to the EEPROM

1. The DIGIPORT pins can be reconfigured, please contact STMicroelectronics for more details on this feature
2. Bit[9] of the DIGIPORT is connected to VDD in current Reference Design. This is incorrect and should be left unconnected to ensure that no extra supply current is drawn.
3. The MICROPORT bus can be reconfigured, please contact STMicroelectronics for more details on this feature
4. Bit8 of the MICROPORT can enable extra device functionality, please contact STMicroelectronics for more details on this feature.

6. Package Details

6.1 VV6410 (36pin CLCC)




Notes.

1. Die is optically centred.
2. Refractive index of glass is ~1.52.
3. Distance to optical surface of Die.
4. Pixel area of sensor.


RevNo	Revision note	ECN No.	Date
A	Pin Locations changed, tolerance added to O/all dims	14/7/99	
B	Package now 36 Pin	20/7/99	
C	1.03 ± 0.13 was 1.03 ± 0.08		2/8/99
D	1.16 dim tolerance revised	15/10/99	

6.3 STV0672 (64pin TQFP)

DIM.	mm			inch		
	MIN.	TYP.	MAX.	MIN.	TYP.	MAX.
A			1.60			0.063
A1	0.05		0.15	0.002		0.006
A2	1.35	1.40	1.45	0.053	0.055	0.057
B	0.18	0.23	0.28	0.007	0.009	0.011
C	0.12	0.16	0.20	0.0047	0.0063	0.0079
D		12.00			0.472	
D1		10.00			0.394	
D3		7.50			0.295	
e		0.50			0.0197	
E		12.00			0.472	
E1		10.00			0.394	
E3		7.50			0.295	
H		5.89			0.232	
L	0.40	0.60	0.75	0.0157	0.0236	0.0295
L1		1.00			0.0393	
K	0' (min.), 7' (max.)					



OUTLINE AND MECHANICAL DATA



Body: 10 x 10 x 1.4mm

TQFP64

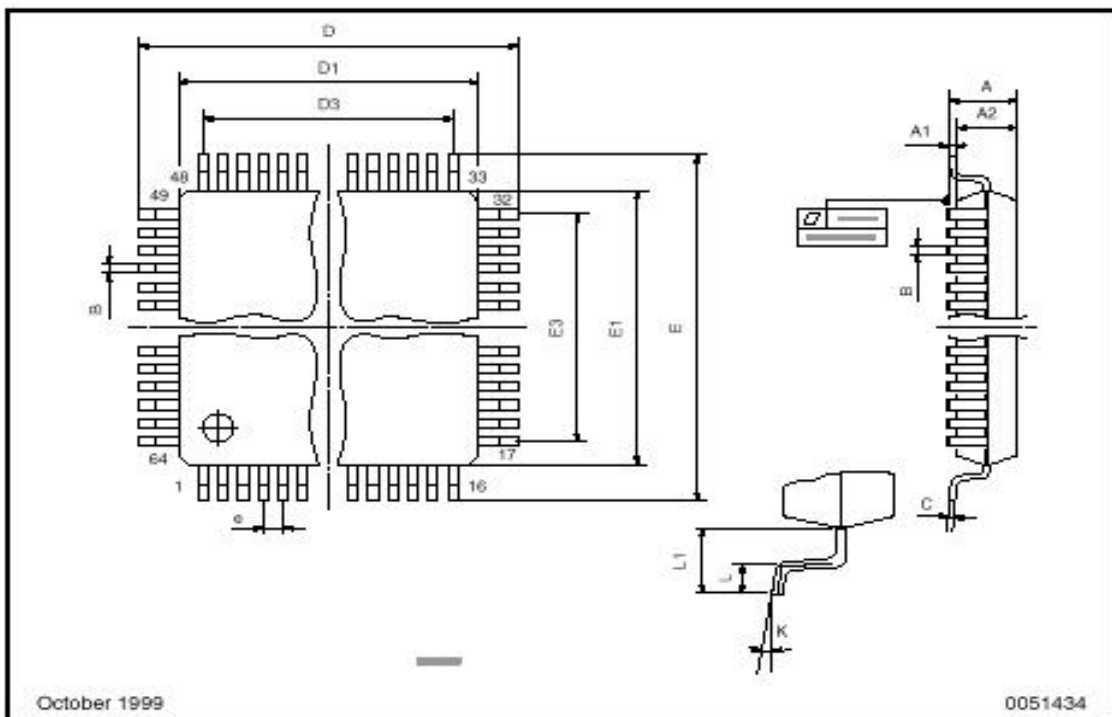
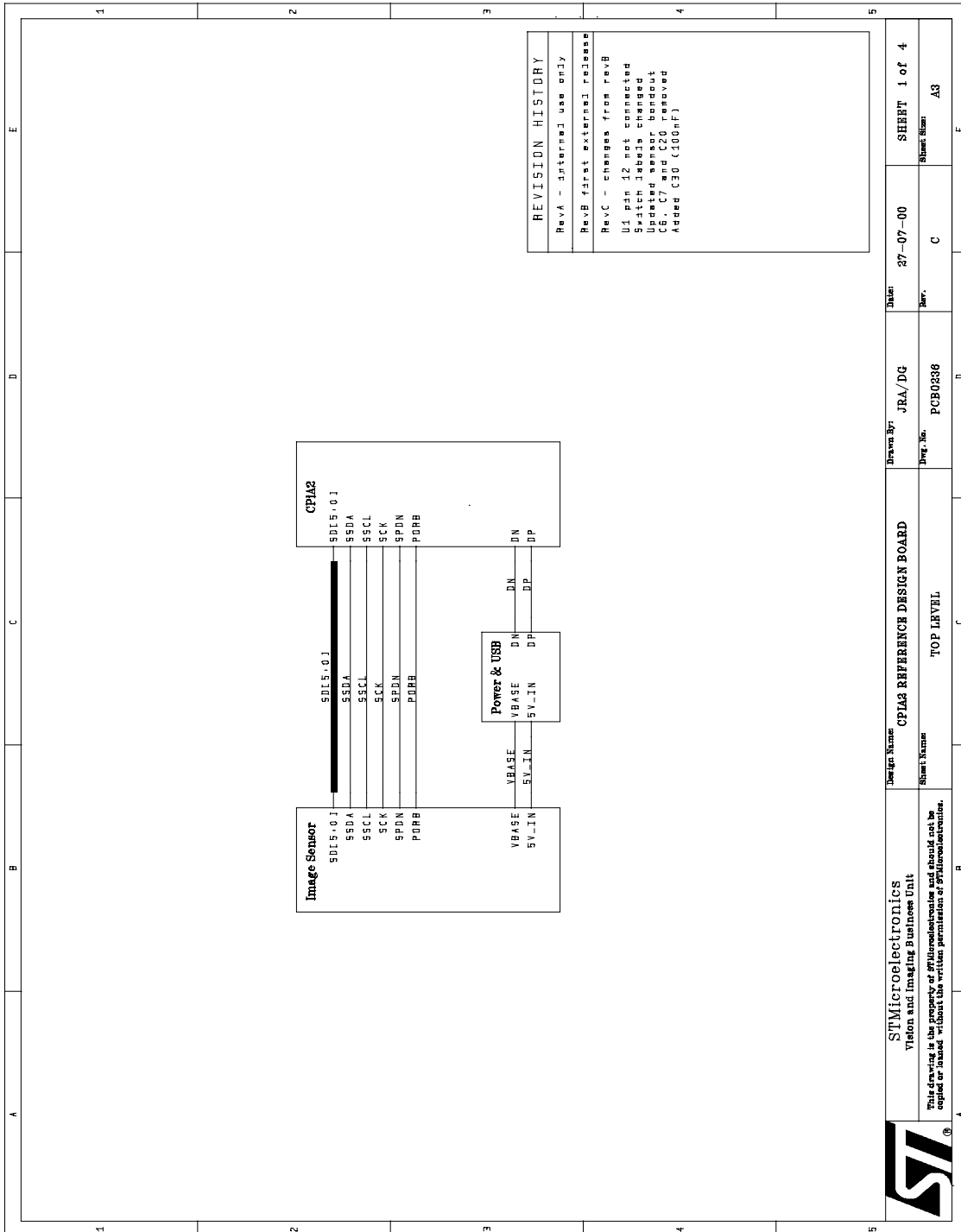


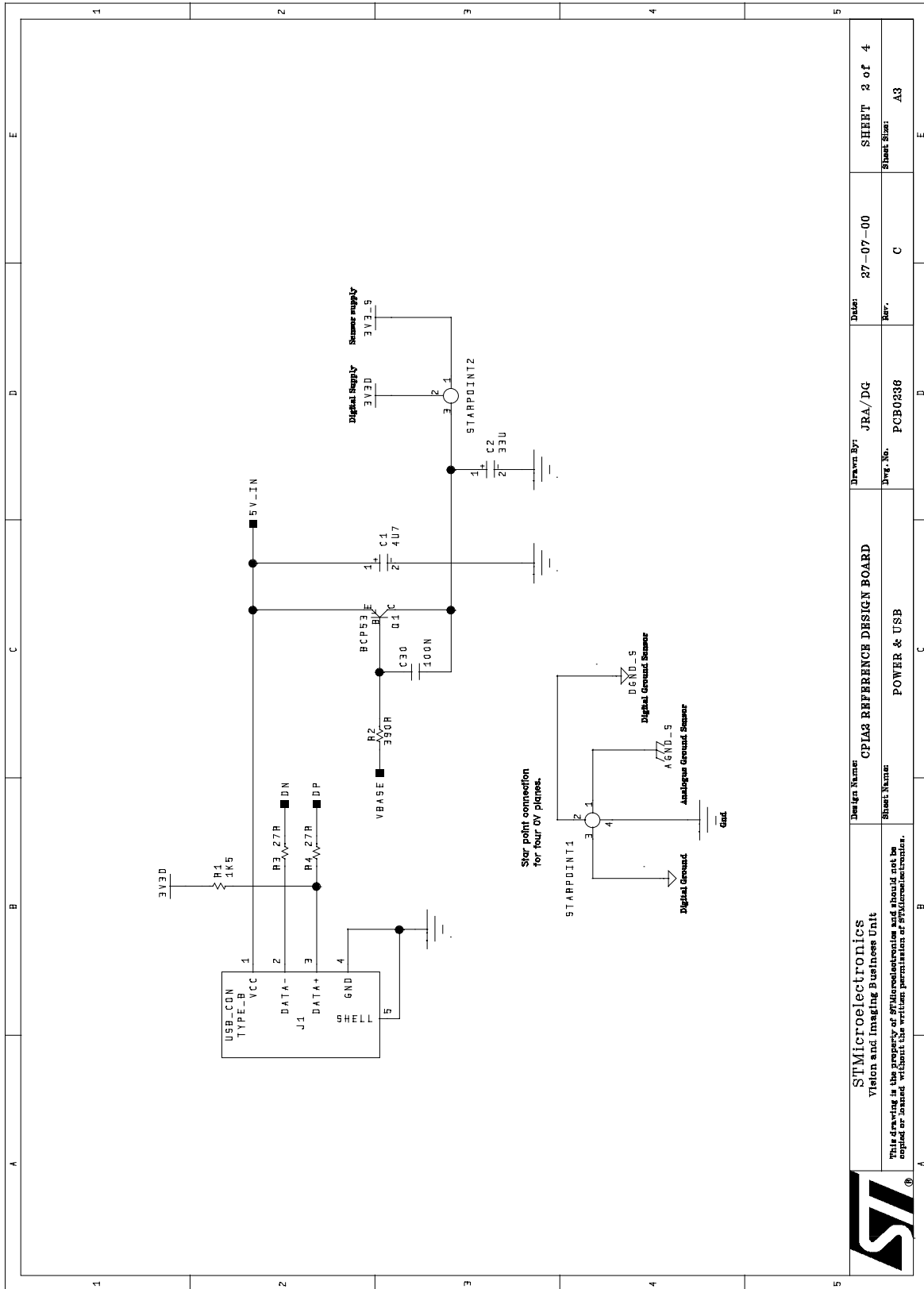
Figure 10 : STV0672 package details

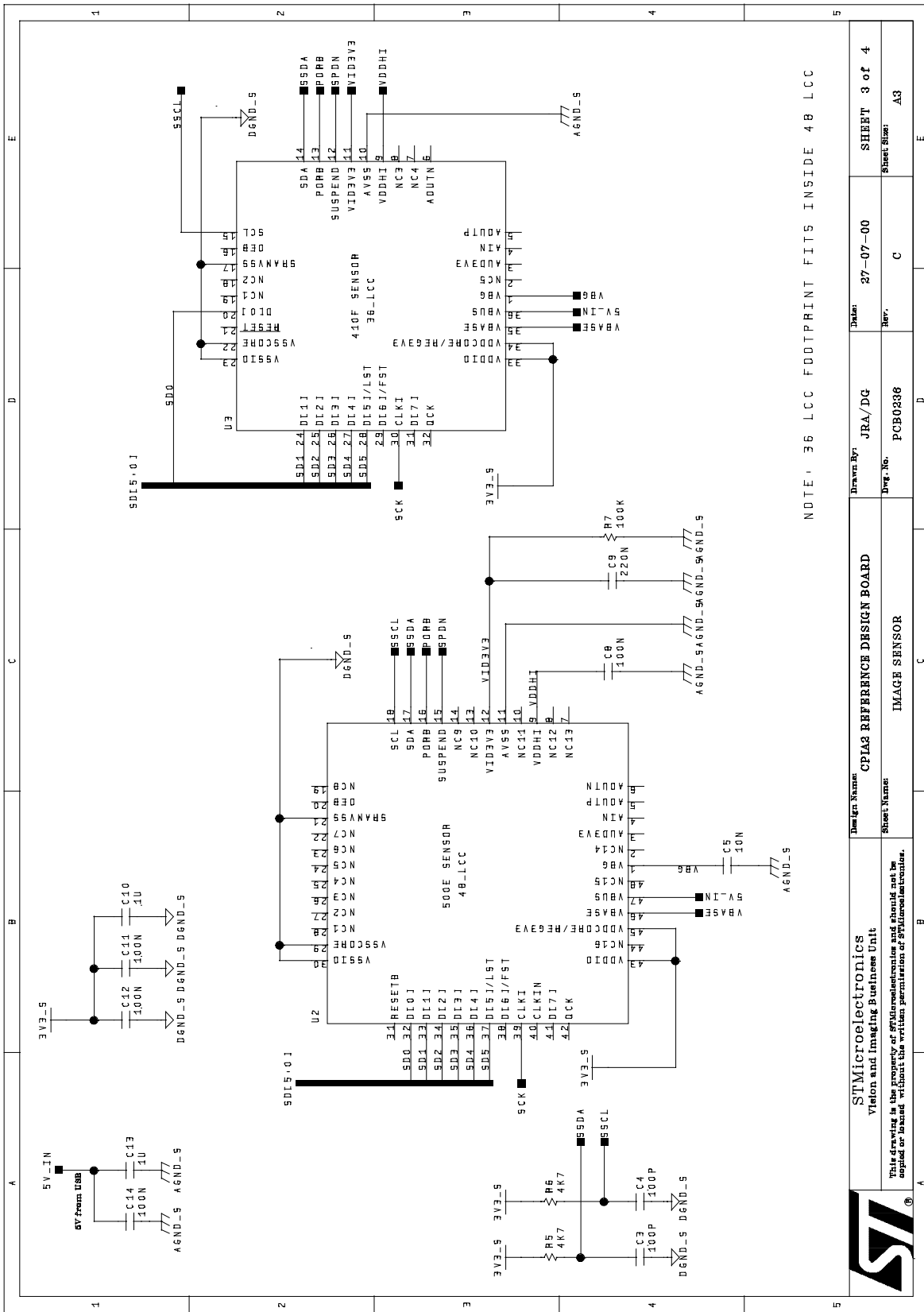
7. VV6410/VV6500+STV0672 Reference Design

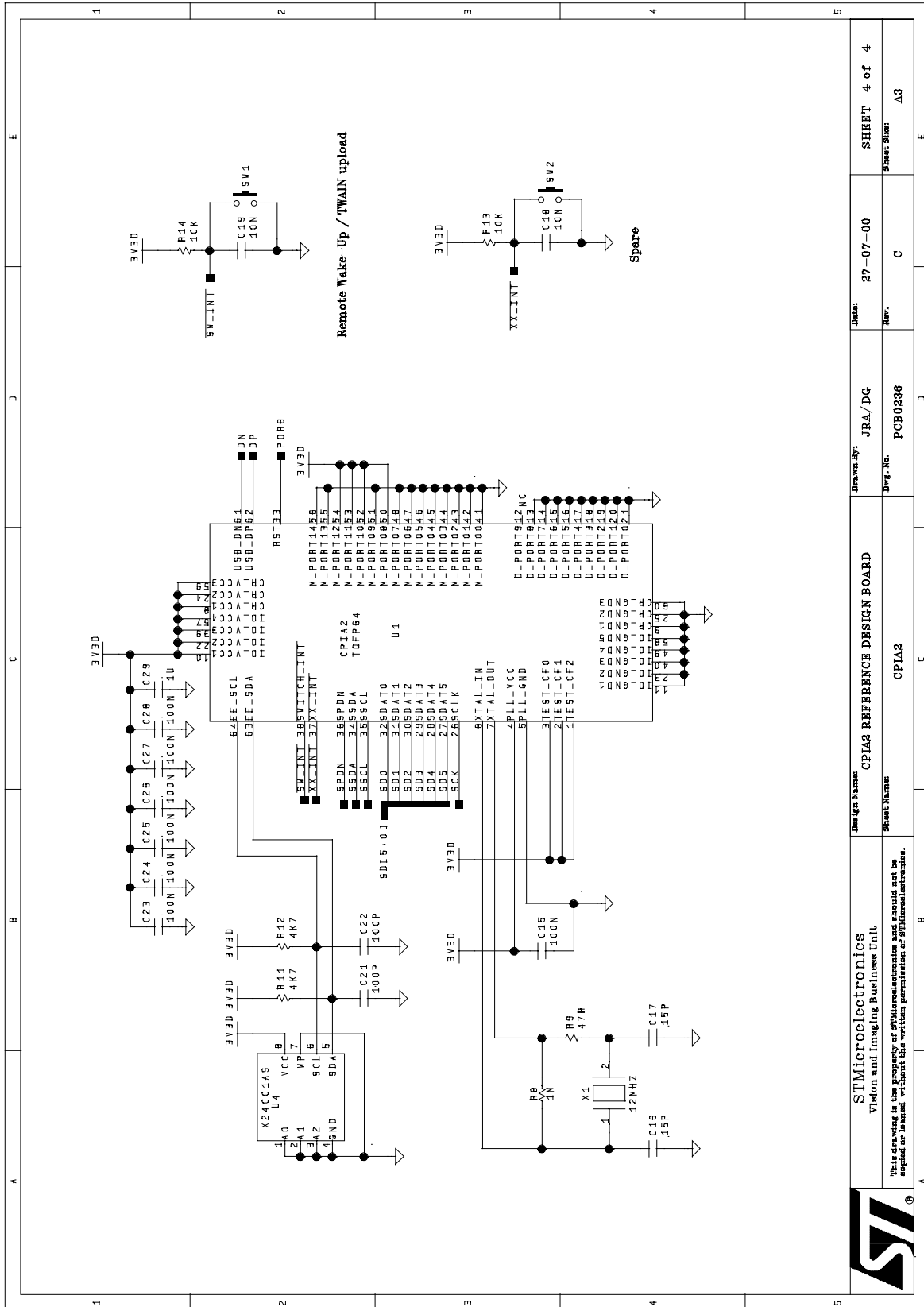
STMicroelectronics will make a reference design available for the VV6410/VV6500+STV0672 chipset. Contact STMicroelectronics for more details.

The schematics describing the reference design are included over the following 4 pages of the datasheet









Design Name: CPIA3 REFERENCE DESIGN BOARD
Sheet Name: CPIA3

This drawing is the property of STMicroelectronics and should not be copied or reused without the written permission of STMicroelectronics.

Drawn By: JRA/DG
Dwg. No. PCB0336

Date: 27-07-00
Rev. C

SHEET 4 of 4
Sheet Size: A3

8. Reference Design and Evaluation Kits (RDK's and EVK's)

STMicroelectronics supply a full range of supporting reference design kits for their range of sensors and coprocessors. The STV-USB /VGA-R01 (comprising the STV0672 coprocessor and the 6500 VGA resolution sensor) and STV-USB/CIF-R01 (comprising the STV0672 coprocessor and the 6410 CIF resolution sensor) reference design kits allow direct interface to a PC via the USB port.

A full Evaluation Kit for the USB camera chipset will also be available in the future. Please contact STMicroelectronics for more details on this product.

Please contact STMicroelectronics for more details on how to order these support products.

9. Design Issues

The PCB gerbers that are included in the documentation package that accompanies the Reference Design Kit shows the sensor and the coprocessor on the same side of the PCB. Although this placement of the IC's will not give the smallest physical design it will avoid any excess heat being transferred from STV0672 to the sensors. Excess heat in the sensor is a source of noise that will degrade the image performance, especially in low light.

STMicroelectronics therefore recommends that the "side-by-side" orientation of STV0672 and 6410/6500 should be followed if the design is to achieve optimal image performance under a wide range of lighting conditions.

10. Ordering Details

For more information on the appropriate sensor choice please contact STMicroelectronics.

Part number	Description
VV6410C036	CIF image sensor, 36CLCC Package
VV6500C001	VGA image sensor, 48CLCC Package
STV0672	Companion USB co-processor
STV-USB/CIF-R01	USB chipset, CIF resolution reference design kit
STV-USB/VGA-R01	USB chipset, VGA resolution reference design kit

Table 15 : Ordering details

Information furnished is believed to be accurate and reliable. However, STMicroelectronics assumes no responsibility for the consequences of use of such information nor for any infringement of patents or other rights of third parties which may result from its use. No license is granted by implication or otherwise under any patent or patent rights of STMicroelectronics. Specifications mentioned in this publication are subject to change without notice. This publication supersedes and replaces all information previously supplied. STMicroelectronics products are not authorized for use as critical components in life support devices or systems without express written approval of STMicroelectronics

The ST logo is a registered trademark of STMicroelectronics

© 2000 STMicroelectronics - All Rights Reserved

Imaging Division

www.st.com

asiapacific.imaging@st.com
centraleurope.imaging@st.com
france.imaging@st.com
japan.imaging@st.com
nordic.imaging@st.com
southerneurope.imaging@st.com
ukeire.imaging@st.com
usa.imaging@st.com