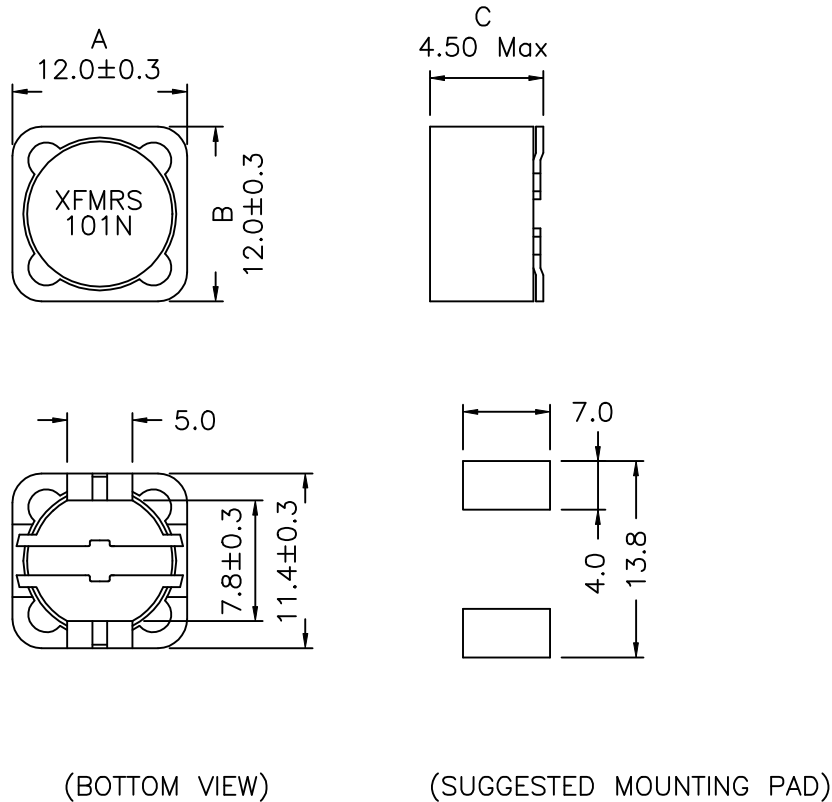
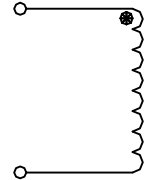


1. Mechanical Dimensions:



2. Schematic:



3. Electrical Specifications:@25°C

INDUCTANCE: 100.0uH ±20% @100KHz 0.1V

DC RESISTANCE: 0.308 Ohms Max

CURRENT: 1.2 ADC Max

Notes:

1. Solderability: Leads shall meet MIL-STD-202, Method 208D for solderability.
2. Flammability: UL94V-0
3. ASTM oxygen index: > 28%
4. Insulation System: Class F 155°C. UL file E151556
5. Operating Temperature Range: All listed parameters are to be within tolerance from -40°C to +85°C
6. Storage Temperature Range: -55°C to +125°C
7. Aqueous wash compatible

DOC REV A/1

XFMR5 Inc.	Title: XFTPRH1204 SERIES INDUCTORS		
	UNLESS OTHERWISE SPECIFIED	P/N: XFTPRH1204-101N	REV. A
TOLERANCES: TYPICAL	DWN.	廖玉坤	Apr-10-03
Dimensions in MM	CHK.	李清儿	Apr-10-03
SHEET 1 OF 1	APP.	BW	Apr-10-03