

PLEASE CHECK WWW.MOLEX.COM FOR LATEST PART INFORMATION

Part Number: [0521160340](#)
Status: **Active**
Overview: splash_proof
Description: 2.50mm (.098") Pitch Splash Proof Wire-to-Wire Plug Housing, 3 Circuits

Documents:

[3D Model](#) [Product Specification PS-52117-004 \(PDF\)](#)
[Drawing \(PDF\)](#) [RoHS Certificate of Compliance \(PDF\)](#)
[Product Specification PS-52117-003 \(PDF\)](#)

General

| | |
|----------------|------------------------------|
| Product Family | Crimp Housings |
| Series | 52116 |
| Overview | splash_proof |
| Product Name | Splash Proof |

Physical

| | |
|-------------------------------|-----------------|
| Circuits (maximum) | 3 |
| Color - Resin | White |
| Gender | Plug |
| Glow-Wire Compliant | No |
| Lock to Mating Part | Yes |
| Material - Resin | Polyester |
| Number of Rows | 1 |
| Packaging Type | Tray |
| Panel Mount | No |
| Pitch - Mating Interface (in) | 0.098 In |
| Pitch - Mating Interface (mm) | 2.50 mm |
| Stackable | No |
| Temperature Range - Operating | -40°C to +105°C |

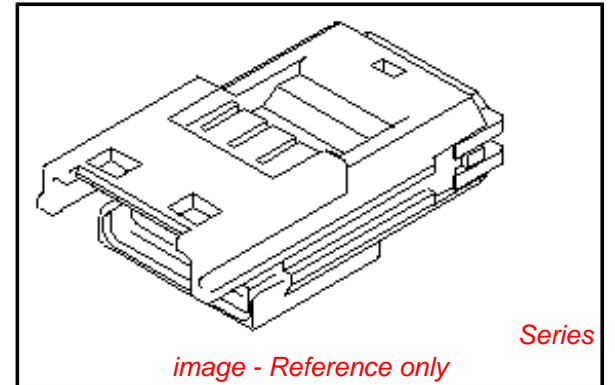
Electrical

| | |
|-------------------------------|----|
| Current - Maximum per Contact | 3A |
|-------------------------------|----|

Material Info

Reference - Drawing Numbers

| | |
|-----------------------|----------------------------|
| Product Specification | PS-52117-003, PS-52117-004 |
| Sales Drawing | SD-52116-03** |



EU RoHS

**ELV and RoHS
Compliant**
REACH SVHC
 Not Reviewed
**Halogen-Free
Status**

China RoHS



**Need more information on product
environmental compliance?**

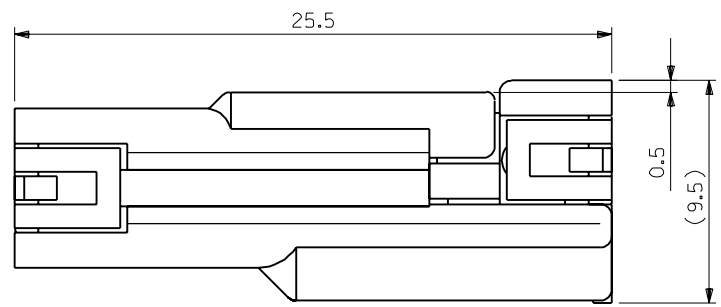
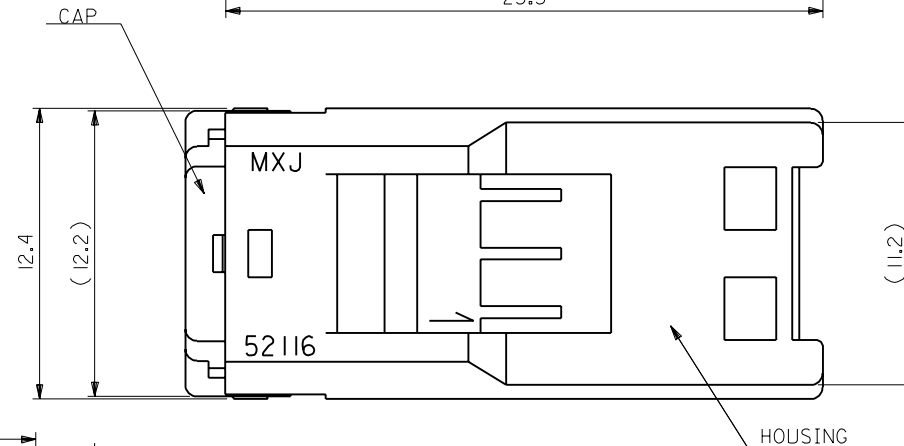
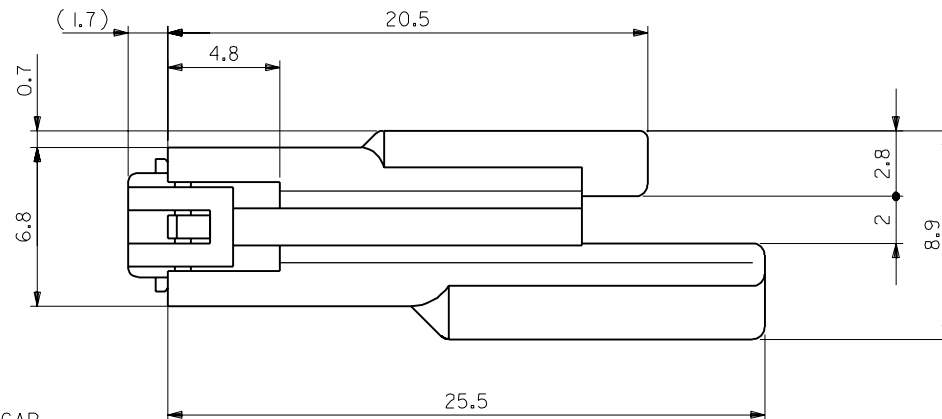
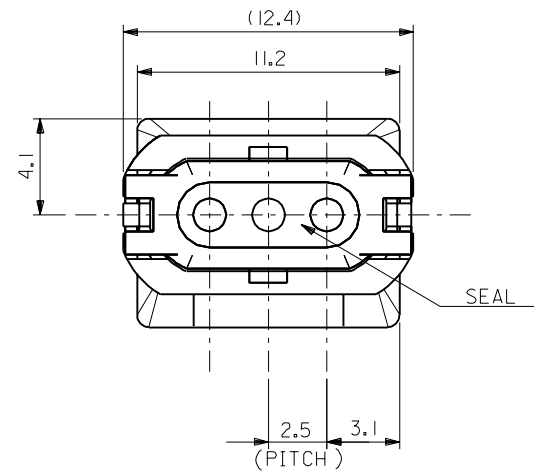
Email productcompliance@molex.com
 For a multiple part number RoHS Certificate of
 Compliance, [click here](#)

Please visit the [Contact Us](#) section for any
 non-product compliance questions.

Search Parts in this Series
[52116Series](#)

Mates With
[52117](#)

Use With
[50038](#)



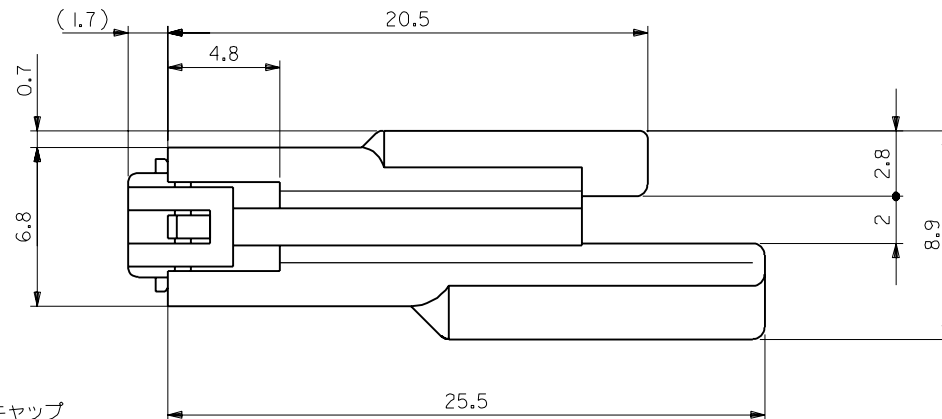
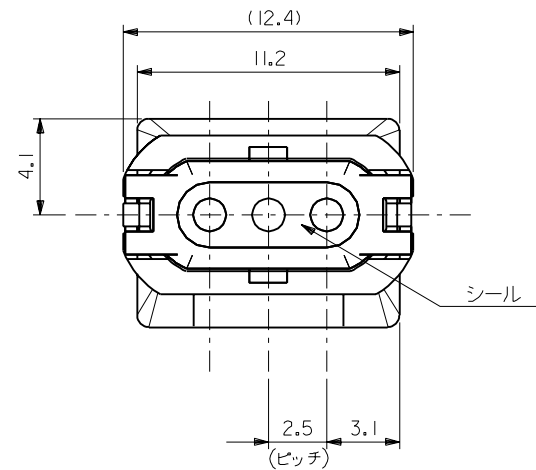
FULLY MATED CONDETION

- NOTES**
- 1.ACCEPTS CRIMP TERMINAL:50038-8*00
 - 2.MATE'L :
CAP ;POLYESTER(15%G.F.)
HOUSING;POLYESTER(15%G.F.)
SEAL ;SILICONE
 - 3.MATES WITH:52117-03**
 - 4.COLOR IN THE CHART INDICATES HOUSING COLOR

| | | |
|-------------------|-------|------------|
| AVSO.3, AWG*20-22 | RED | 52116-0342 |
| AVSO.3, AWG*20-22 | BLACK | 52116-0341 |
| AVSO.3, AWG*20-22 | WHITE | 52116-0340 |
| WIRE RANGE | COLOR | ENG. NO. |

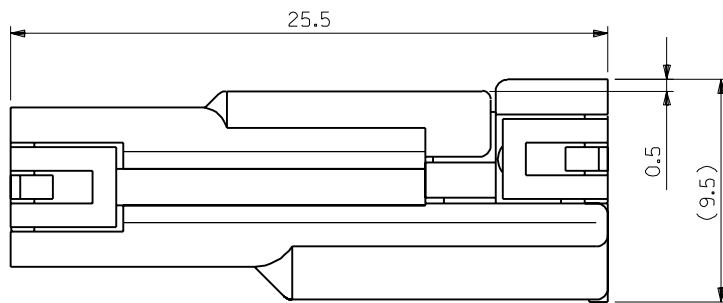
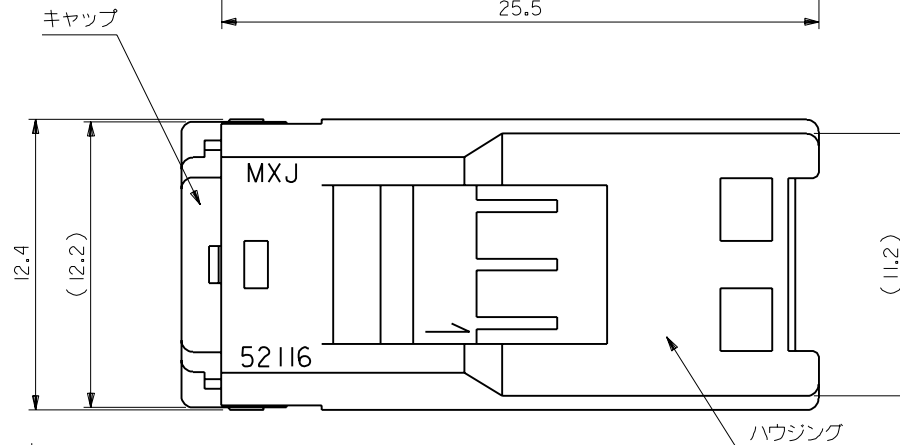
| | | | | | | |
|---|--|--|---------|----------------------|-------------------|---|
| E REVISED(J90218) | | Y.A | 3/16/89 | 材料 MATERIAL | SEE NOTES | MOLEX-JAPAN CO.,LTD. 日本モレックス株式会社 |
| D REVISED(J80600) | | Y.A | 7/8/88 | 仕上げ FINISH | // | |
| C REVISED(J80600) | | Y.A | 7/8/88 | 適用電線範囲 WIRE RANGE | SEE CHART | EDP. NO. // |
| B RELEASED | | ECH NO. 6338 | M.S | 6/25/87 | 被覆外径 INS. RANGE | ENG. NO. SD-52116-03** |
| A REVISED | | M.S | 6/25/87 | DRAWN BY M.SAKANO | CHK'D BY M.SAKANO | REV E |
| O PROPOSED | | M.S | 6/10/87 | APP'D BY M.ENOMOTO | 尺 度 SCALE 5-1 | TITLE 名称 2.5 SPLASH PROOF CONN. PLUG HS'G ASS'Y W/POSITIVE LOCK |
| 角度 ANGLE ±3° 30以上 OVER ±0.3 10以上 30未滿 UNDER ±0.25 10未滿 UNDER ±0.2 一般公差 GENERAL TOLERANCES | | 記号 LTR 変更内容 REVISION RECORD DR. CHK. DATE | | 日付 DATE 尺 度 SCALE | | |
| REVISE ONLY ON CAD SYSTEM | | | | | | |

THIS DRAWING CONTAINS INFORMATION THAT IS PROPRIETARY TO MOLEX(JAPAN) AND SHOULD NOT BE USED WITHOUT WRITTEN PERMISSION
 本図面は日本モレックス(株)の所有する情報を含むもので 当社の許可なく複製を禁止する。



注記

- 適合ターミナル:50038-8*00
- 材料:
 キャップ :ポリエステル(ガラス15%含有)
 ハウジング:ポリエステル(ガラス15%含有)
 シール :シリコンゴム
- 適合相手 : 52117-03**
- 表の色はハウジングの色別を表す。



嵌合状態図

| | | |
|-------------------|---|------------|
| AVSO.3, AWG#20-22 | 赤 | 52116-0342 |
| AVSO.3, AWG#20-22 | 黒 | 52116-0341 |
| AVSO.3, AWG#20-22 | 白 | 52116-0340 |
| 適用電線範囲 | 色 | ENG. NO. |

| | | | | | | |
|-----------------------------|--|-----------------|---------|--------------------|-------------------|---|
| E 変更 (J90218) | | Y.A | 3/16/89 | 材料 | 注記参照 | molex MOLEX-JAPAN CO.,LTD. 日本モレックス株式会社 |
| D 変更 (J80600) | | Y.A | 1/8/88 | 仕上げ | | |
| C 変更 (J80532) | | Y.A | 6/16/88 | FINISH | | |
| B 変更 EGN NO. 6338 | | M.S | 8/26/87 | 適用電線範囲 | 表参照 | EDP. NO. // |
| A 変更 | | M.S | 6/25/87 | WIRE RANGE | 表参照 | ENG. NO. SD-52116-03** |
| O 新規作図 | | M.S | 6/10/87 | 被覆外径 | φ 1.8-1.9 | REV E |
| 記号 LTR 変更内容 REVISION RECORD | | DR. CHK. | 日付 DATE | INS. RANGE | CHK'D BY M.SAKANO | TITLE 名称 2.5 SPLASH PROOF CONN. PLUG HS'G ASS'Y W/POSITIVE LOCK |
| 一般公差 GENERAL TOLERANCES | | REVISION RECORD | | APP'D BY M.ENOMOTO | 尺度 5-1 | |