

**PLEASE CHECK WWW.MOLEX.COM FOR LATEST PART INFORMATION**

**Part Number:** [0022057045](#)  
**Status:** **Active**  
**Description:** 2.50mm (.098") Pitch SPOX™ Wire-to-Board Header, Right Angle, Shrouded, Friction Lock, 4 Circuits

**Documents:**

[3D Model](#) [Product Specification PS-5264-001 \(PDF\)](#)  
[Drawing \(PDF\)](#) [RoHS Certificate of Compliance \(PDF\)](#)

**Agency Certification**

CSA LR19980  
 UL E29179

**General**

Product Family PCB Headers  
 Series [5268](#)  
 Application Wire-to-Board  
 MolexKits Yes  
 Product Name SPOX™

**Physical**

Breakaway No  
 Circuits (Loaded) 4  
 Circuits (maximum) 4  
 Color - Resin Natural  
 Durability (mating cycles max) 30  
 Flammability 94V-0  
 Glow-Wire Compliant No  
 Lock to Mating Part Yes  
 Material - Plating Mating Tin  
 Material - Plating Termination Tin  
 Material - Resin Nylon  
 Number of Rows 1  
 Orientation Right Angle  
 PC Tail Length (in) 0.138 In  
 PC Tail Length (mm) 3.50 mm  
 PCB Locator No  
 PCB Retention None  
 PCB Thickness Recommended (in) 0.062 In  
 PCB Thickness Recommended (mm) 1.60 mm  
 Packaging Type Bag  
 Pitch - Mating Interface (in) 0.098 In  
 Pitch - Mating Interface (mm) 2.50 mm  
 Plating min: Mating (µin) 160  
 Plating min: Mating (µm) 4  
 Plating min: Termination (µin) 160  
 Plating min: Termination (µm) 4  
 Polarized to Mating Part Yes  
 Polarized to PCB No  
 Shrouded Fully  
 Stackable No  
 Surface Mount Compatible (SMC) No  
 Temperature Range - Operating -40°C to +105°C  
 Termination Interface: Style Through Hole

**Electrical**

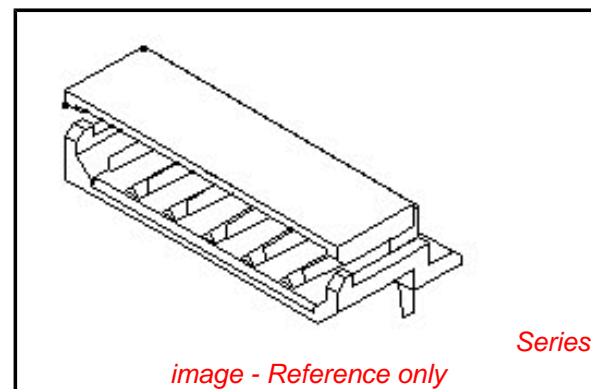


image - Reference only

**EU RoHS**

**ELV and RoHS Compliant**  
**REACH SVHC**  
 Not Reviewed  
**Halogen-Free Status**

**China RoHS**



**Not Halogen-Free**

**Need more information on product environmental compliance?**

Email [productcompliance@molex.com](mailto:productcompliance@molex.com)  
 For a multiple part number RoHS Certificate of Compliance, [click here](#)

Please visit the [Contact Us](#) section for any non-product compliance questions.

**Search Parts in this Series**

[5268Series](#)

**Mates With**

[5264](#)

Current - Maximum per Contact  
Voltage - Maximum

3A  
250V

**Material Info**

Old Part Number

5268-04A

**Reference - Drawing Numbers**

Packaging Specification

SPK-5268-001

Product Specification

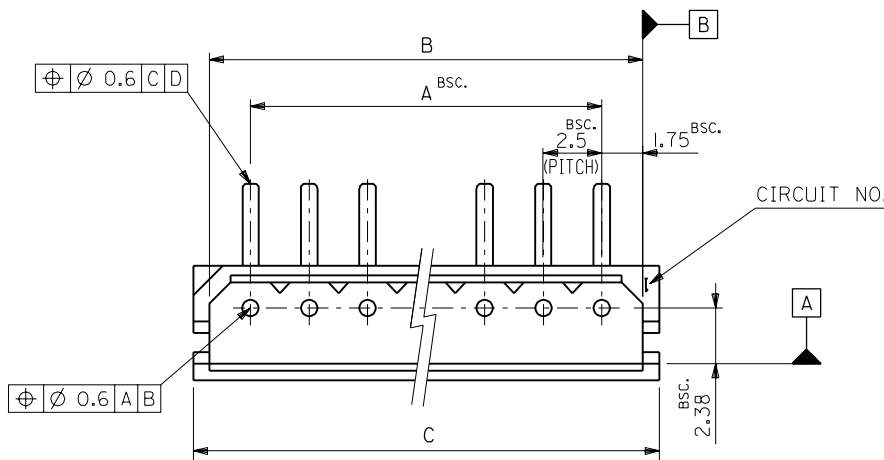
PS-5264-001, RPS-5264-005, RPS-5268-001

Sales Drawing

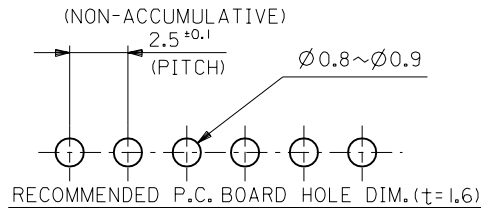
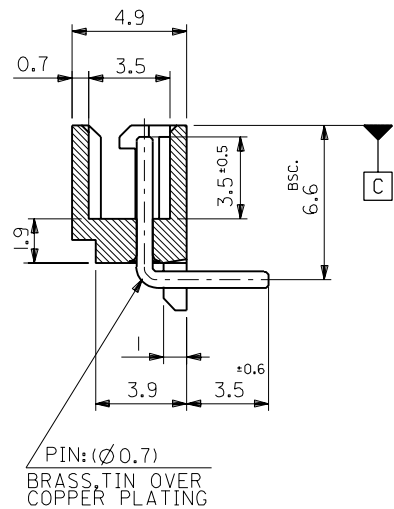
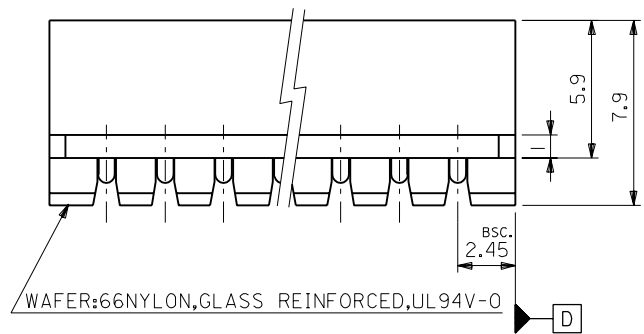
SD-5268-NA

This document was generated on 05/27/2010

**PLEASE CHECK [WWW.MOLEX.COM](http://WWW.MOLEX.COM) FOR LATEST PART INFORMATION**



NOTE:  
 I.MATES WITH : 5264 SERIES.



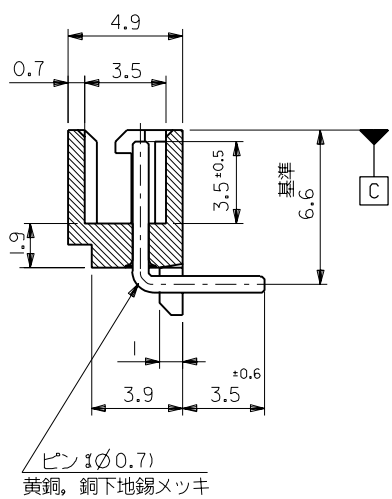
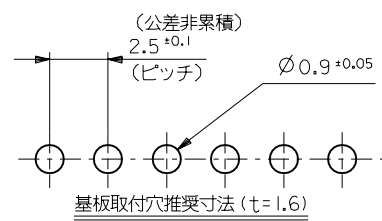
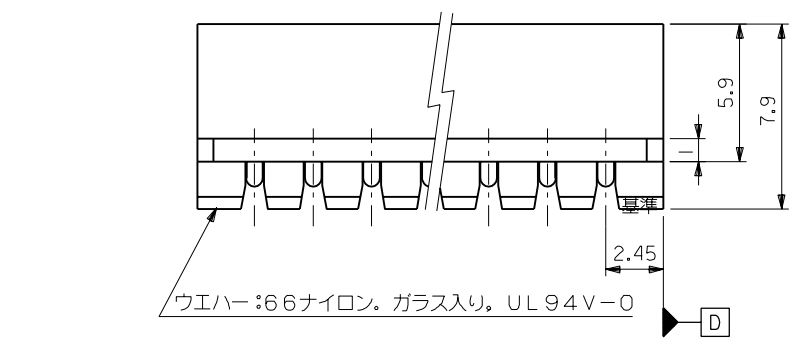
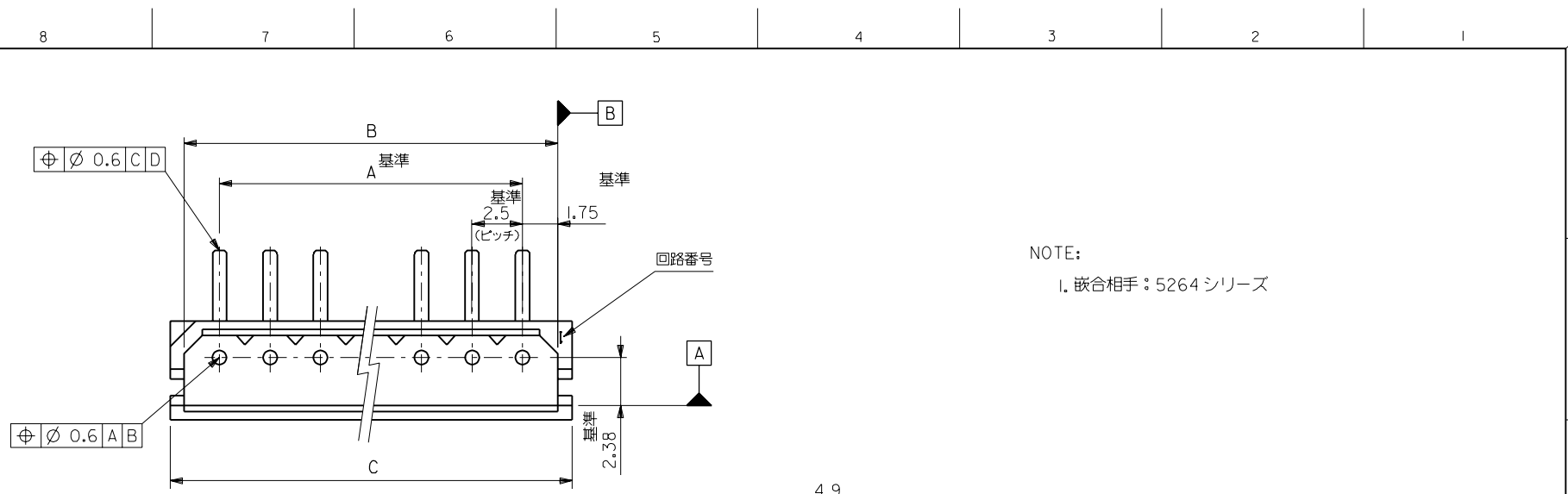
52.4	51	47.5	22-05-7205	5268-20A	20
49.9	48.5	45	-7195	-19A	19
47.4	46	42.5	-7185	-18A	18
44.9	43.5	40	-7175	-17A	17
42.4	41	37.5	-7165	-16A	16
39.9	38.5	35	-7155	-15A	15
37.4	36	32.5	-7145	-14A	14
34.9	33.5	30	-7135	-13A	13
32.4	31	27.5	-7125	-12A	12
29.9	28.5	25	-7115	-11A	11
27.4	26	22.5	-7105	-10A	10
24.9	23.5	20	-7095	-09A	9
22.4	21	17.5	-7085	-08A	8
19.9	18.5	15	-7075	-07A	7
17.4	16	12.5	-7065	-06A	6
14.9	13.5	10	-7055	-05A	5
12.4	11	7.5	-7045	-04A	4
9.9	8.5	5	-7035	-03A	3
7.4	6	2.5	22-05-7025	5268-02A	2
C	B	A	EDP NO.	ENG.NO.	CKT.

角度 ANGLE	±3°							材料 MATERIAL	— / —	MOLEX-JAPAN CO.,LTD. 日本モレックス株式会社
30以上 OVER	+0.3							仕上げ FINISH	— / —	
10以上 OVER 30 未満 UNDER	+0.25	C	REVISED & REDRAWN (J1059)	H.H.	9/11/5			適用電線範囲 WIRE RANGE	— / —	22-05-7**5
10 未満 UNDER	+0.2		記号 LTR	変更内容 REVISION RECORD	DR. CHK.	日付 DATE		被覆外径 INS. RANGE	— / —	ENG. NO.
一般公差 GENERAL TOLERANCES								DRAWN BY K.TOJO '91/11/5	CHK'D BY '92/08/31	SD-5268-NA
								APP'D BY '92/08/31	M.ENOMOTO	REV C
								尺度 SCALE	5-1	TITLE 名称
										2.5 LOW PROFILE WAFER ASS'Y 90° BEND

ENG. NO. SD-5268-NA

EDP NO. 22-05-7\*\*5

MM DIMENSIONS IN METRIC DO NOT SCALE DRAWING



NOTE:  
1. 嵌合相手: 5264 シリーズ

39.9	38.5	35	22-05-7155	5268-15A	15
37.4	36	32.5	-7145	-14A	14
34.9	33.5	30	-7135	-13A	13
32.4	31	27.5	-7125	-12A	12
29.9	28.5	25	-7115	-11A	11
27.4	26	22.5	-7105	-10A	10
24.9	23.5	20	-7095	-09A	9
22.4	21	17.5	-7085	-08A	8
19.9	18.5	15	-7075	-07A	7
17.4	16	12.5	-7065	-06A	6
14.9	13.5	10	-7055	-05A	5
12.4	11	7.5	-7045	-04A	4
9.9	8.5	5	-7035	-03A	3
7.4	6	2.5	22-05-7025	5268-02A	2
C	B	A	EDP NO.	ENG.NO.	極数

角度 ANGLE	+3°
30 以上 OVER	+0.3
10 以上 30 未満 UNDER	+0.25
10 未満 UNDER	+0.2
一般公差 GENERAL TOLERANCES	

材料 MATERIAL		MOLEX-JAPAN CO.,LTD. 日本モレックス株式会社
仕上げ FINISH		EDP. NO. 22-05-7**5
適用電線範囲 WIRE RANGE		ENG. NO. SD-5268-NA
被覆外径 INS. RANGE		REV C
DRAWN BY K.TOJO '91/7/26	CHK'D BY H.H '92/08/31	TITLE 名称 2.5 LOW PROFILE WAFER ASS'Y 90° BEND
APPD BY M.ENOMOTO '92/08/31	尺度 SCALE 5-1	

THIS DRAWING CONTAINS INFORMATION THAT IS PROPRIETARY TO MOLEX(JAPAN) AND SHOULD NOT BE USED WITHOUT WRITTEN PERMISSION  
本図面は日本モレックス(株)の所有する情報を含むもので 当社の許可なく複製を禁止する。 MXJ-8