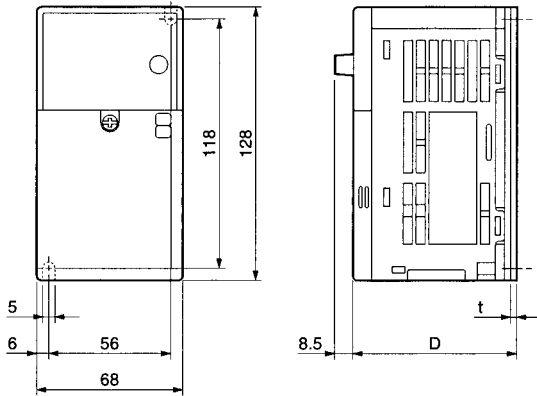


Dimensions

■ Dimensions

3G3MV-A2001 to 3G3MV-A2007 (0.1 to 0.75 kW)
3-phase 200-V AC Input

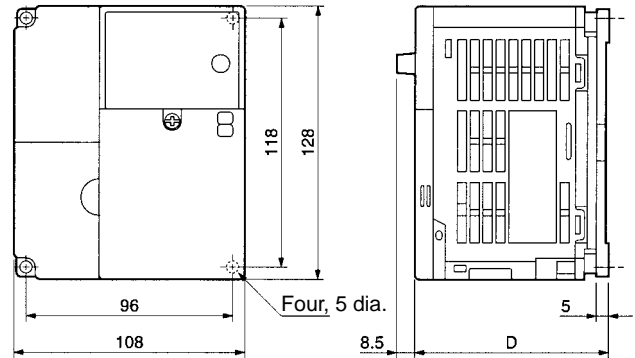
3G3MV-AB001 to 3G3MV-AB004 (0.1 to 0.4 kW)
Single-phase 200-V AC Input



3G3MV-A2015 to 3G3MV-A2022 (1.5 to 2.2 kW)
3-phase 200-V AC Input

3G3MV-AB007 to 3G3MV-AB015 (0.75 to 1.5 kW)
Single-phase 200-V AC Input

3G3MV-A4002 to 3G3MV-A4022 (0.2 to 2.2 kW)
3-phase 400-V AC Input



Rated voltage	Model 3G3MV-	Dimen- sions (mm)		Weight (kg)
		D	t	
3-phase 200 V AC	A2001	76	3	Approx. 0.6
	A2002	76	3	Approx. 0.6
	A2004	108	5	Approx. 0.9
	A2007	128	5	Approx. 1.1
Single-phase 200 V AC	AB001	76	3	Approx. 0.6
	AB002	76	3	Approx. 0.7
	AB004	131	5	Approx. 1.0

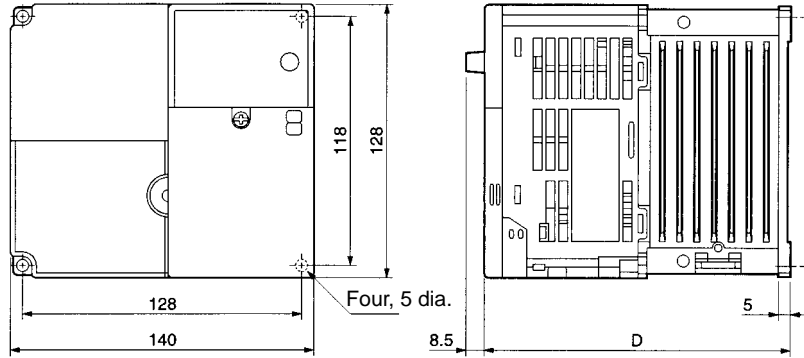
Rated voltage	Model 3G3MV-	Dimen- sions (mm)		Weight (kg)
		D		
3-phase 200 V AC	A2015	131		Approx. 1.4
	A2022	140		Approx. 1.5
Single-phase 200 V AC	AB007	140		Approx. 1.5
	AB015	156		Approx. 1.5
3-phase 400 V AC	A4002	92		Approx. 1.0
	A4004	110		Approx. 1.1
	A4007	140		Approx. 1.5
	A4015	156		Approx. 1.5
	A4022	156		Approx. 1.5

Dimensions

3G3MV-A2037 (3.7 kW) 3-phase 200-V AC Input

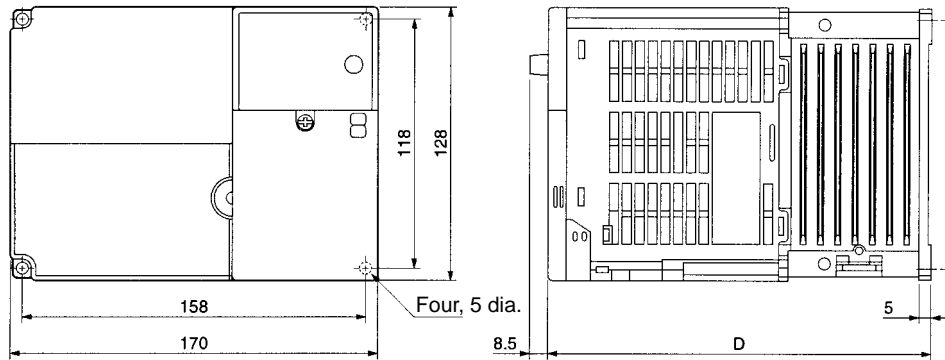
3G3MV-AB022 (2.2 kW) Single-phase 200-V AC Input

3G3MV-A4037 (3.7 kW) 3-phase 400-V AC Input



Rated voltage	Model 3G3MV-	Dimensions (mm)	Weight (kg)
		D	
3-phase 200 V AC	A2037	143	Approx. 2.1
Single-phase 200 V AC	AB022	163	Approx. 2.2
3-phase 400 V AC	A4037	143	Approx. 2.1

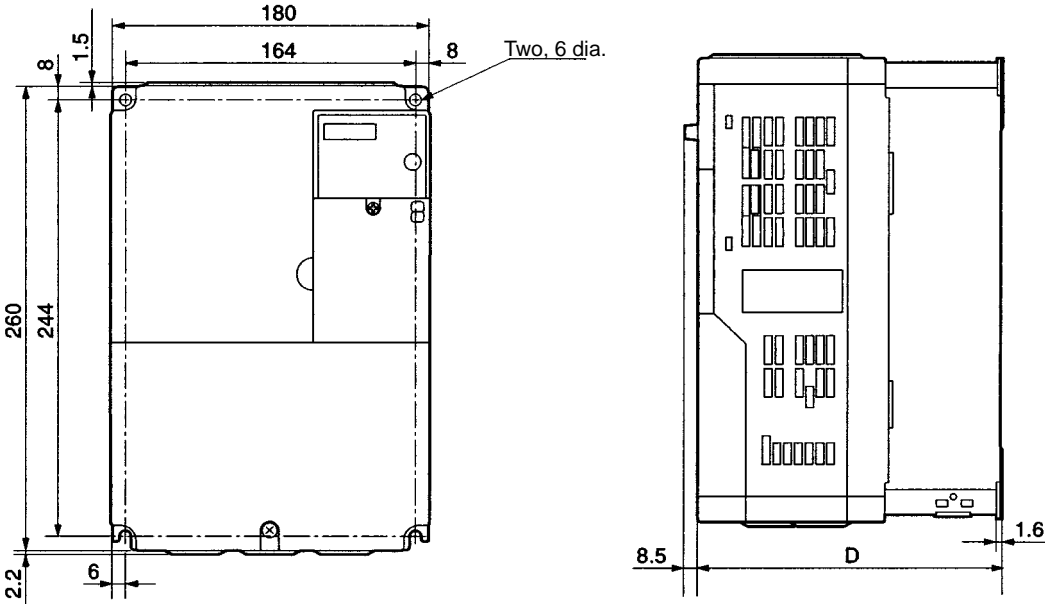
3G3MV-AB037 (3.7 kW) Single-phase 200-V AC Input



Rated voltage	Model 3G3MV-	Dimensions (mm)	Weight (kg)
		D	
Single-phase 200 V AC	AB037	180	Approx. 2.9

Dimensions

3G3MV-A2055 to A2075 (5.5 to 7.5 kW) 3-phase 200 V AC Input
 3G3MV-A4055 to A4075 (5.5 to 7.5 kW) 3-phase 400 V AC Input



Rated voltage	Model 3G3MV-	Dimensions (mm)	Weight (kg)
		D	
3-phase 200 V AC	A2055	170	Approx. 4.6
	A2075	170	Approx. 4.8
3-phase 400 V AC	A4055	170	Approx. 4.8
	A4075	170	Approx. 4.8