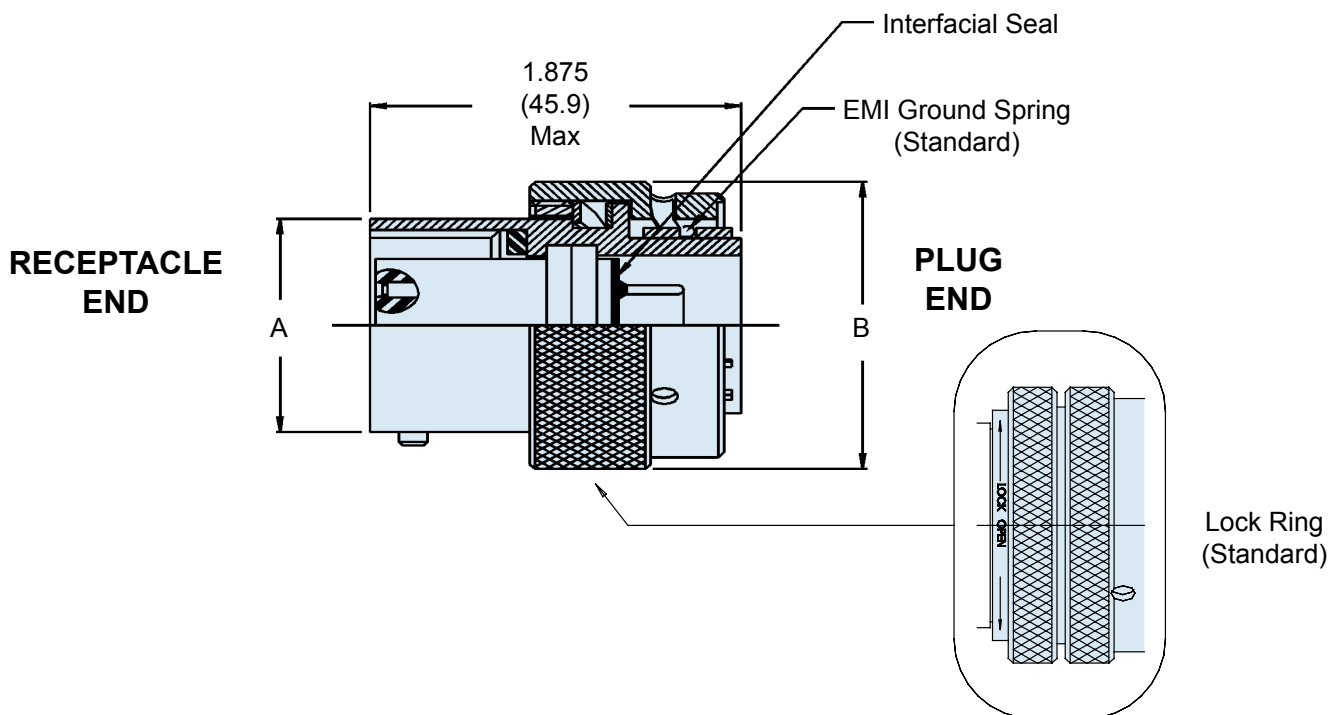
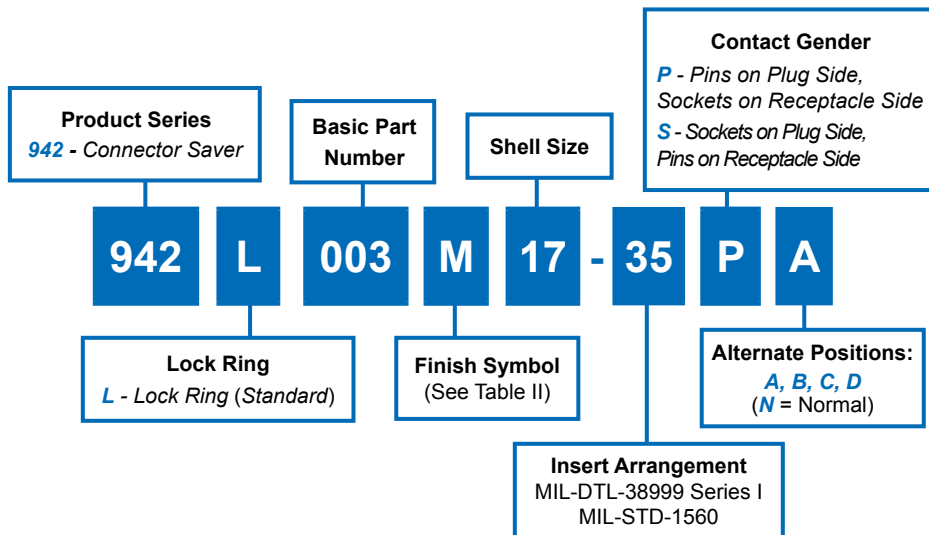


942-003
Sav-Con® Connector Saver
Plug/Receptacle
 for Use with MIL-DTL-38999 Series I

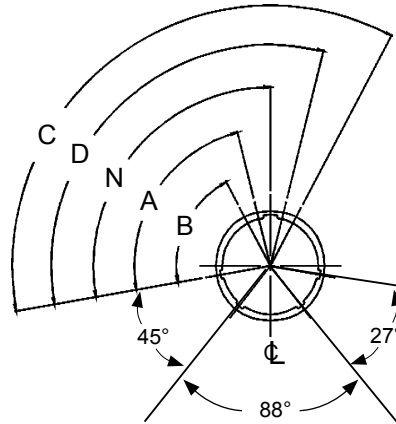


F

942-003
Sav-Con® Connector Saver
Plug/Receptacle
 for Use with MIL-DTL-38999 Series I



Sav-Con®
 Connector
 Savers



FACE VIEW
 RECEPTACLE

SERIES I: ALTERNATE KEYWAY POSITIONS

SHELL SIZE	N°	A°	B°	C°	D°
09	95	77	--	--	113
11	95	81	67	123	109
13	95	75	63	127	115
15	95	74	61	129	116
17	95	77	85	125	113
19	95	77	65	125	113
21	95	77	65	125	113
23	95	80	69	121	110
25	95	80	69	121	110

TABLE II: SHELL FINISHES

Plating Code	Material	Finish
M	Aluminum	Electroless Nickel
B	Aluminum	Cad Plate, Olive Drab
NF	Aluminum	Cadmium Plate Olive Drab over Electroless Nickel
NC	Aluminum	Zinc-Cobalt
ZN	Aluminum	Olive Drab Zinc-Nickel
MT	Aluminum	Ni-PTFE 1000 Hour Grey™ (Nickel Fluorocarbon Polymer)

TABLE I: CONNECTOR DIMENSIONS

SHELL SIZE	A Max	B Diameter Max
09	.573 (14.6)	.910 (23.1)
11	.701 (17.8)	1.035 (26.3)
13	.851 (21.6)	1.210 (30.7)
15	.976 (24.8)	1.330 (33.8)
17	1.101 (28.0)	1.455 (37.0)
19	1.208 (30.7)	1.570 (39.9)
21	1.333 (33.9)	1.695 (43.1)
23	1.458 (37.0)	1.800 (45.7)
25	1.583 (40.2)	1.925 (48.9)

