

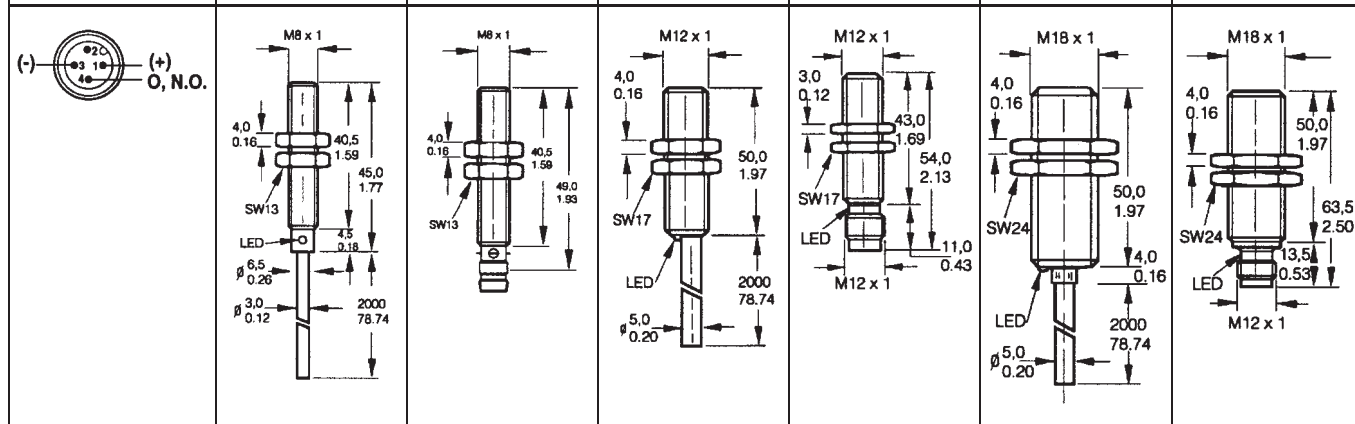
Proximity Sensors

922 Series

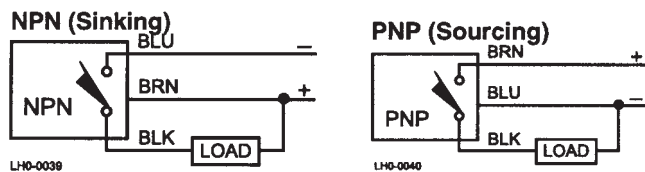
Extended Range Metal Cylindrical Sensors 3-Wire DC Type



Dimensions	M8		M12		M18	
Type of Package	Shielded	Shielded	Shielded	Shielded	Shielded	Shielded
Sensing Distance, mm (in.)	2,2 (.09)	2,2 (.09)	4,0 (.16)	4,0 (.16)	8,0 (.31)	8,0 (.31)
Repeatability	< ±2%	< ±2%	< ±2%	< ±2%	< ±2%	< ±2%
Hysteresis	4 - 20%	4 - 20%	4 - 20%	4 - 20%	4 - 20%	4 - 20%
Switching Frequency	0.5 kHz	0.5 kHz	0.5 kHz	0.5 kHz	0.5 kHz	0.5 kHz
Circuit Protection	Short circuit, Reverse polarity		Short circuit, Reverse polarity		Short circuit, Reverse polarity	
Protection Class	UL, CSA, CE/IP 67		UL, CSA, CE/IP 67		UL, CSA, CE/IP 67	
Operating Temperature	-25 to +80°C (-13 to +176°F)		-25 to +80°C (-13 to +176°F)		-25 to +80°C (-13 to +176°F)	
Shock/Vibration	30 g, 11 ms/10-50 Hz, 3 axes		30 g, 11 ms/10-50 Hz, 3 axes		30 g, 11 ms/10-50 Hz, 3 axes	
Termination	PVC wires	Connector	PVC wires	Connector	PVC wires	Connector
Housing Material	Stainless Steel		Brass		Brass	
Output Indicator	Amber/Orange LED		Amber/Orange LED		Amber/Orange LED	
3-Wire DC	Supply Voltage		Supply Voltage		Supply Voltage	
	10 to 30 VDC		10 to 30 VDC		10 to 30 VDC	
	Load Current		Load Current		Load Current	
	160 mA, max.		200 mA, max.		200 mA, max.	
	Leakage Current		Leakage Current		Leakage Current	
	10 µA, max.		50 µA, max.		50 µA, max.	
	Voltage Drop		Voltage Drop		Voltage Drop	
	≤ 1 VDC		≤ 1 VDC		≤ 1 VDC	
NPN, N.O.	922AC08YI-A3N	922AC08RI-A3N	922AC12XM-A3N	922AC12BM-A3N	922AC18XM-A3N	922AC18BM-A3N
NPN, N.C.	922AC08YI-B3N	922AC08RI-B3N	922AC12XM-B3N	922AC12BM-B3N	922AC18XM-B3N	922AC18BM-B3N
PNP, N.O.	922AC08YI-A3P	922AC08RI-A3P	922AC12XM-A3P	922AC12BM-A3P	922AC18XM-A3P	922AC18BM-A3P
PNP, N.C.	922AC08YI-B3P	922AC08RI-B3P	922AC12XM-B3P	922AC12BM-B3P	922AC18XM-B3P	922AC18BM-B3P



WIRING DIAGRAMS



MATING CONNECTOR CABLES

Style	Length	Output Type	Catalog Listing
Straight	2 meter	N.O.	803000A09M020
Straight	5 meter	N.O.	803000A09M050
Straight	2 meter	N.C.	804000A09M020
Right Angle	2 meter	N.O.	803001A09M020
Right Angle	5 meter	N.O.	803001A09M050
Right Angle	2 meter	N.C.	804001A09M020