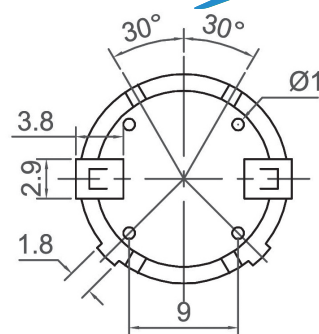
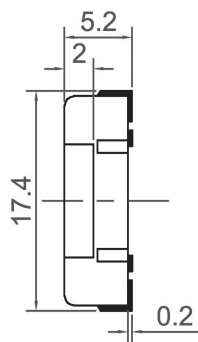
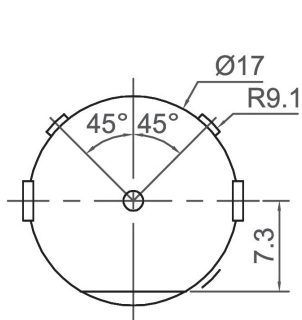
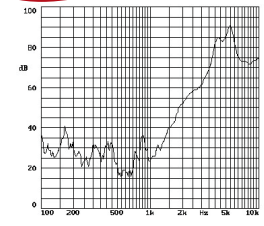


SMD External Drive Piezo Transducer (AC)



CSPT1705

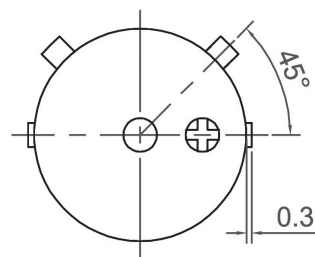
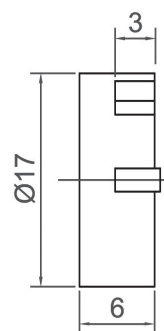
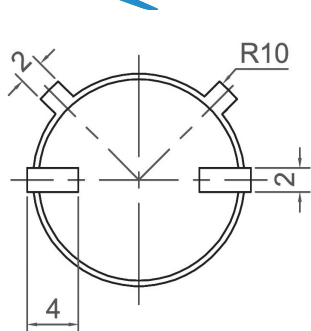
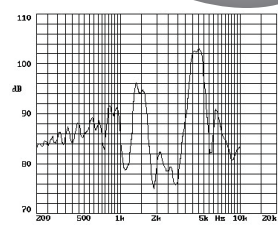


Canopus Part no.	Min sound Output (dBA)	Rated Voltage (V)	Max Input Voltage (V)	Resonant Frequency (Hz)	Capacitance (pF)	Operating Temperature (°C)	Housing	Weight (g)
CSPT1705C40L	80 AT 10cm	3 Vrms	30 Vp-p	4000	6500 ± 30% at 120Hz	-20 ~ +70	LCP	3

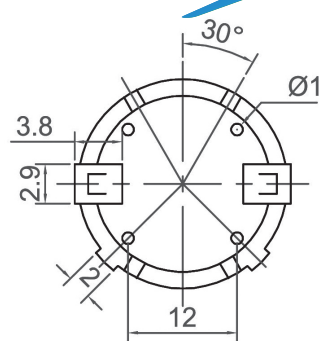
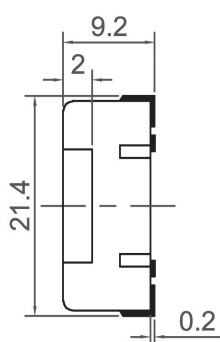
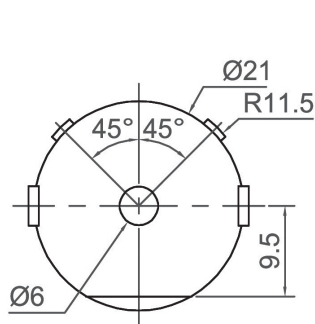
CANOPUS



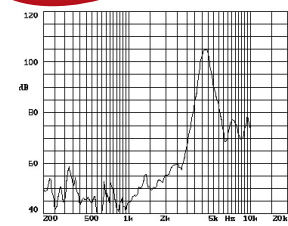
CSPT1706



Canopus Part no.	Min sound Output (dBA)	Rated Voltage (V)	Max Input Voltage (V)	Resonant Frequency (Hz)	Capacitance (pF)	Operating Temperature (°C)	Housing	Weight (g)
CSPT1706140L	90 AT 10cm	12 Vp-p	25 Vp-p	4000	15000 ± 30% at 120Hz	-20 ~ +75	PPS	2



CSPT2109



Canopus Part no.	Min sound Output (dBA)	Rated Voltage (V)	Max Input Voltage (V)	Resonant Frequency (Hz)	Capacitance (pF)	Operating Temperature (°C)	Housing	Weight (g)
CSPT2109C20L	80 AT 10cm	3 Vp-p	30 Vp-p	2000	17000 ± 30% at 1000Hz	-20 ~ +70	PA66	3
CSPT2109C40L	80 AT 10cm	3 Vp-p	30 Vp-p	4000	9000 ± 30% at 1000Hz	-20 ~ +70	PA66	3

Your Efficient Supplier
www.canopus.com.hk

TEL.: (852) 2806 2812

Fax: (852) 2652 2216