

# PC/104+ SOCKETS ESQT (-368), PTHF SERIES

## SPECIFICATIONS

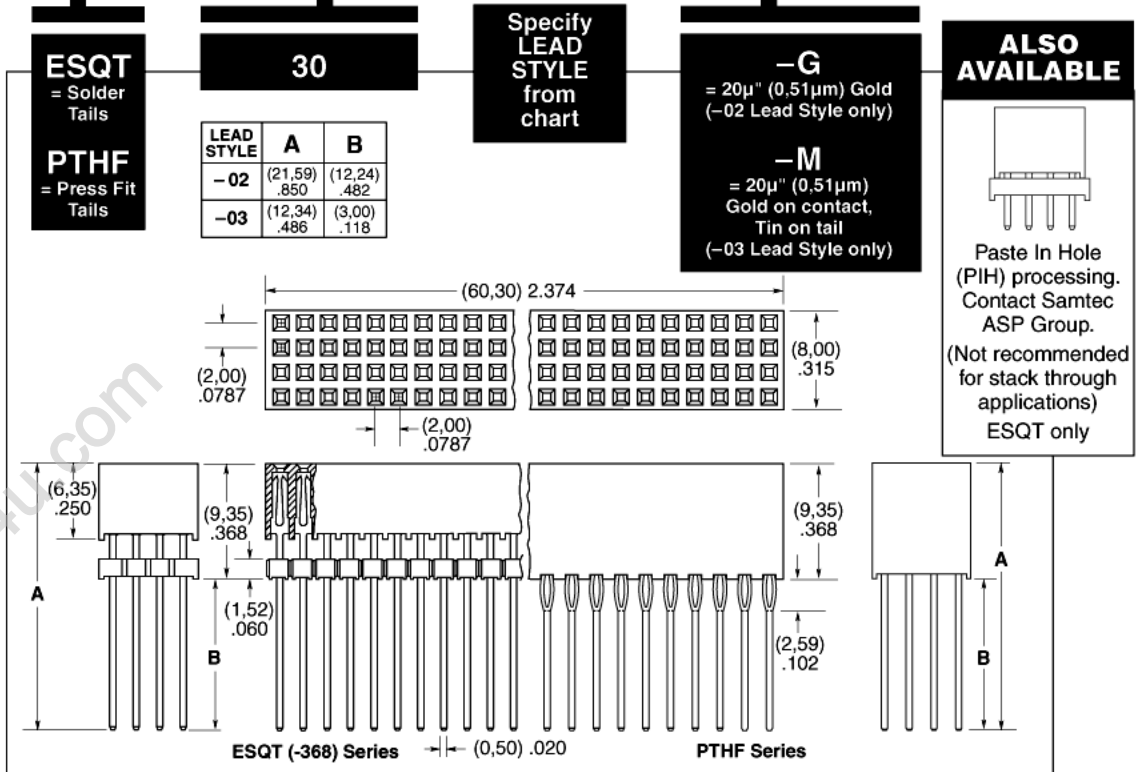
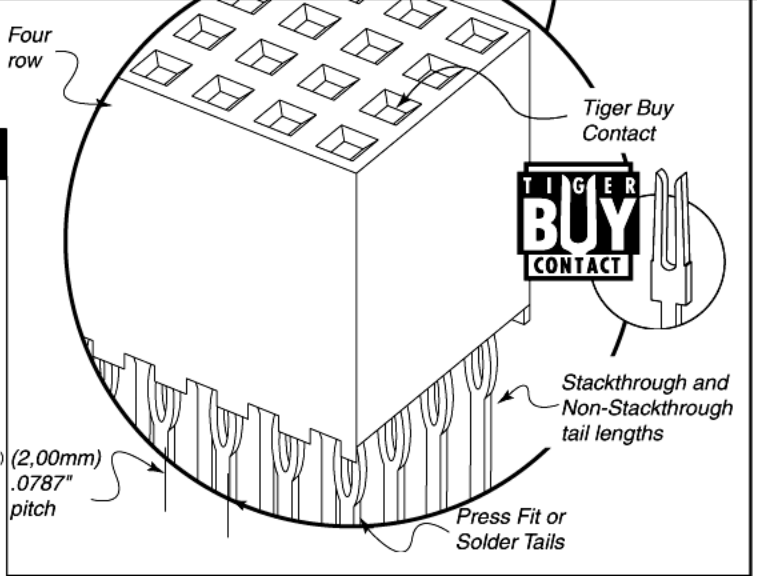
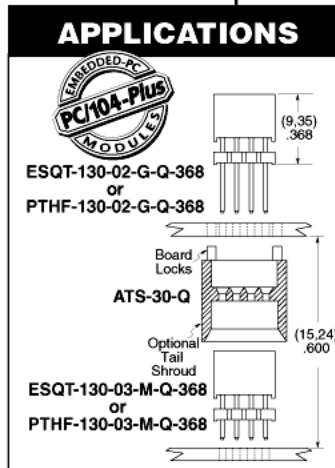
For complete specifications see [www.samtec.com?ESQT](http://www.samtec.com?ESQT) or [www.samtec.com?PTHF](http://www.samtec.com?PTHF)

- Insulator Material:** Black Liquid Crystal Polymer
- Contact Material:** Phosphor Bronze
- Current Rating:** 2A @ 80°C ambient
- Operating Temp Range:** -65°C to +125°C
- Plating:** Au or Sn over 50µ" (1,27µm) Ni
- Contact Resistance:** 10 m max
- Insertion Depth:** (2,62mm) .103" to (5,03mm) .198"
- Insertion Force:** (Single contact only) 4oz (1,11N) average
- Normal Force:** 60 grams (0,59N) average
- Withdrawal Force:** (Single contact only) 3oz (0,83N) average
- Max Cycles:** 100 with 10µ" (0,25µm) Au

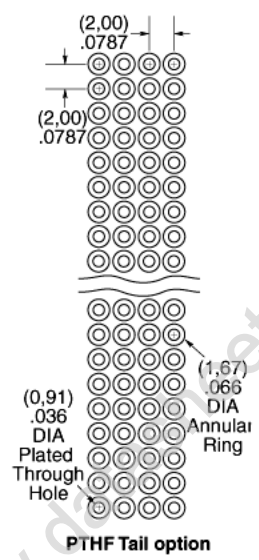


**Note:** Some lengths, styles and options are non-standard, non-returnable.

**Mates with:** ESQT, PTHF



**Processing:** Suggested PCB Layouts: For reference only. Please contact Samtec or go to [www.samtec.com?PTHF](http://www.samtec.com?PTHF) for recommended PCB layout.



Due to technical progress, all designs, specifications and components are subject to change without notice.

[WWW.SAMTEC.COM](http://WWW.SAMTEC.COM)

www.DataSheet4U.com