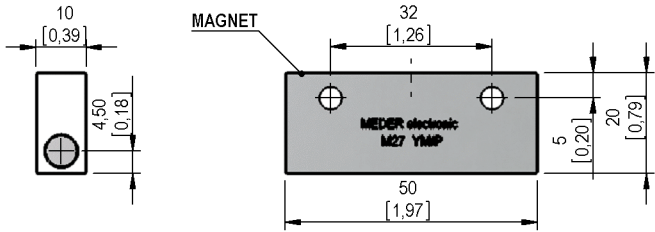


Products for tomorrow...

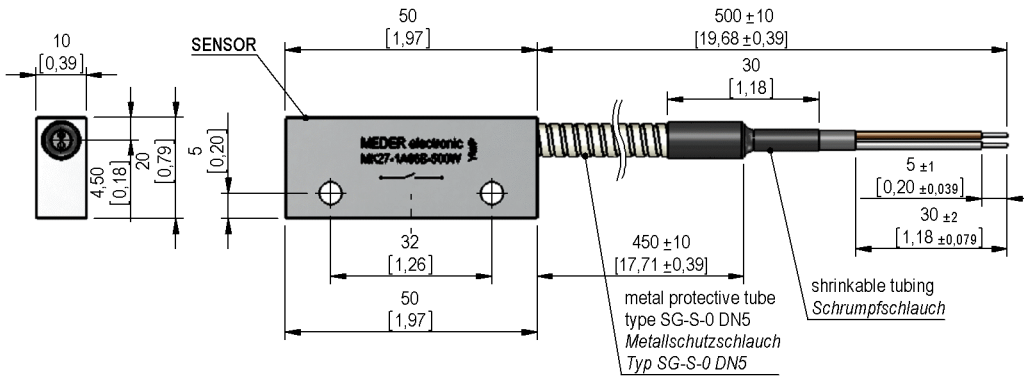
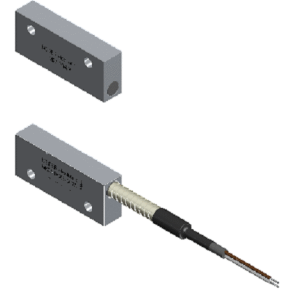
Dimensions mm[inch]

tolerances acc. to DIN ISO 2768-m
 Toleranzen gem. DIN ISO 2768-m



Isometric

Scale 1:5
 Maßstab 1:5



Cable

round cable LIYY AWG24, grey
 UL-Style 2464/1061
 colour of wires: white and brown
 Rundkabel LIYY AWG24, grau
 UL-Style 2464/1061
 Aderfarben: weiss und braun

Terminals/Connector

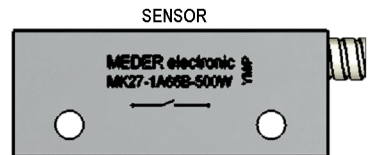
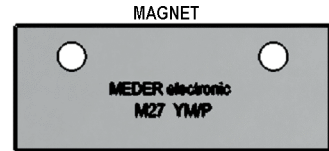
ends tinned
 Enden verzinnt

Schematic

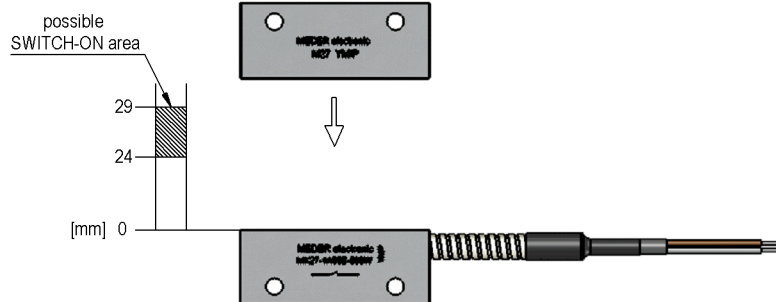


Marking

according to EN60062/factory code
 gem. EN60062/Fertigungsstätte



Switching distances





Europe: +49 / 7731 8399 0 | Email: info@meder.com
 USA: +1 / 508 295 0771 | Email: salesusa@meder.com
 Asia: +852 / 2955 1682 | Email: salesasia@meder.com

Item No.:
9272661054
 Item:
MK27-1A66B-500W

Products for tomorrow...

| Magnetic properties | Conditions | Min | Typ | Max | Unit |
|---------------------|------------|-----------------|-----|-----|------|
| Pull in | at 20 °C | 40 | | 60 | AT |
| Test equipment | | KMS-38 + PH 053 | | | |

| Special Product Data | Conditions | Min | Typ | Max | Unit |
|----------------------|---|-------------|-----|--------|------|
| Contact - No. | | | | 66 | |
| Contact - form | | | | A - NO | |
| Contact rating | Any DC combination of V & A not to exceed their individual max.'s | | | 10 | W |
| operating voltage | DC or Peak AC | | | 180 | V |
| operating ampere | DC or Peak AC | | | 1,25 | A |
| Switching current | DC or Peak AC | | | 0,5 | A |
| Sensor-resistance | measured with 40% overdrive | | | 270 | mOhm |
| Housing material | | Aluminium | | | |
| Sealing compound | | Polyurethan | | | |

| Environmental data | Conditions | Min | Typ | Max | Unit |
|-----------------------|-----------------|-----|-----|-----|------|
| Operating temperature | cable not moved | -30 | | 80 | °C |
| Operating temperature | cable moved | -5 | | 80 | °C |
| Storage temperature | | -30 | | 80 | °C |

| Cable specification | Conditions | Min | Typ | Max | Unit |
|---------------------|------------|-------------|-----|-----|------|
| Cable typ | | round cable | | | |
| Cable material | | PVC | | | |
| Cross section [mm²] | | AWG 24 | | | |

| General data | Conditions | Min | Typ | Max | Unit |
|-------------------|------------|---|-----|-----|------|
| Mounting advice | | over 5m cable, a series resistor is recommended. | | | |
| mounting advice 1 | | Decreased switching distances by mounting on iron | | | |
| mounting advice 2 | | Magnetically conductive screws must not be used | | | |

Modifications in the sense of technical progress are reserved

Designed at: 06.12.10 Designed by: WKOVACS
 Last Change at: 26.10.11 Last Change by: WKOVACS

Approval at: 30.05.11 Approval by: DKUECHLER
 Approval at: 27.10.11 Approval by: DKUECHLER

Version: 02