

PLEASE CHECK WWW.MOLEX.COM FOR LATEST PART INFORMATION

Part Number: [0194290047](#)
Status: **Active**
Overview: [mx150I sealed connector system](#)
Description: MX150L™ 12 Circuit Panel Mount Plug for 14 to 22 AWG Wire, Through Hole Flange Assembly, with Gasket

Documents:

[3D Model](#) [Product Specification PS-19417-001 \(PDF\)](#)
[Drawing \(PDF\)](#) [RoHS Certificate of Compliance \(PDF\)](#)

General

| | |
|-----------------------------|--|
| Product Family | Crimp Housings |
| Series | 19429 |
| Comments | For Outside or Inside Panel Mount Application |
| Overview | mx150I sealed connector system |
| Product Literature Order No | 987650-2181 |
| Product Name | MX150L™ |

Physical

| | |
|-------------------------------|-----------------|
| Circuits (maximum) | 12 |
| Gender | Male |
| Glow-Wire Compliant | No |
| Lock to Mating Part | Yes |
| Number of Rows | 2 |
| Packaging Type | Bag |
| Panel Mount | Yes |
| Pitch - Mating Interface (in) | 0.230 In |
| Pitch - Mating Interface (mm) | 5.84 mm |
| Polarized to Mating Part | Yes |
| Stackable | No |
| Temperature Range - Operating | -40°C to +125°C |

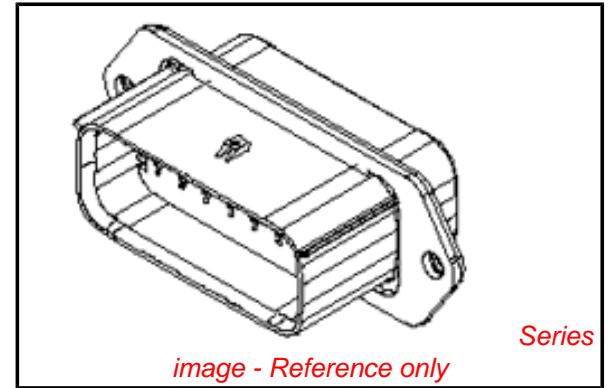
Electrical

| | |
|-------------------------------|-----|
| Current - Maximum per Contact | 18A |
|-------------------------------|-----|

Material Info

Reference - Drawing Numbers

| | |
|-------------------------|--------------|
| Packaging Specification | PK-19429-001 |
| Product Specification | PS-19417-001 |
| Sales Drawing | SD-19429-015 |



EU RoHS

ELV and RoHS Compliant
REACH SVHC
 Not Reviewed
Halogen-Free Status

China RoHS



Not Reviewed

Need more information on product environmental compliance?

Email productcompliance@molex.com
 For a multiple part number RoHS Certificate of Compliance, [click here](#)

Please visit the [Contact Us](#) section for any non-product compliance questions.

Search Parts in this Series

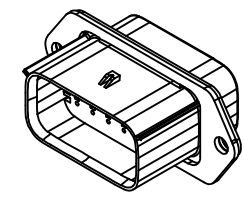
[19429Series](#)

Mates With

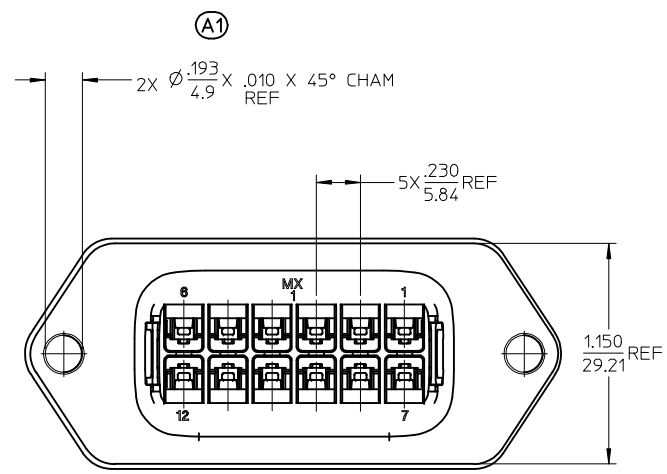
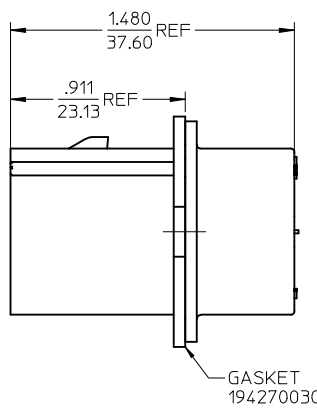
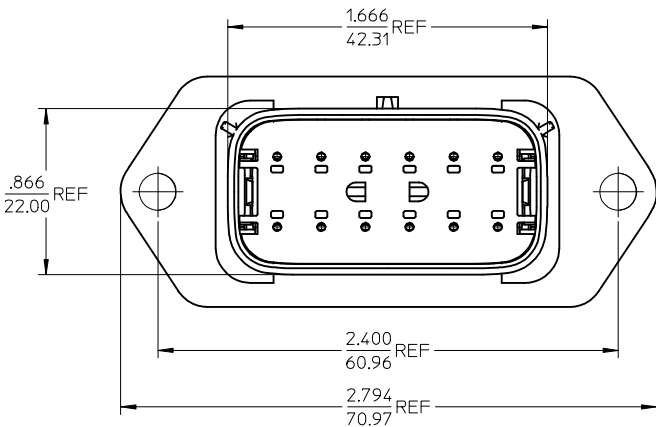
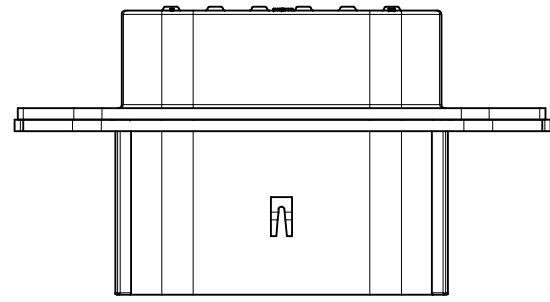
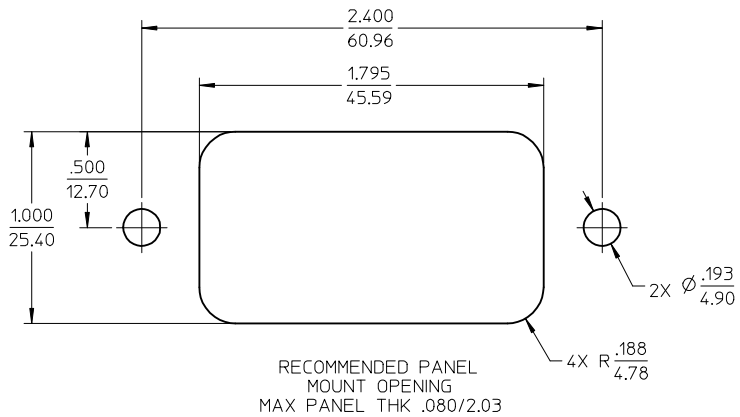
[19418 Receptacle Assemblies](#)

Use With

[19417 Male Crimp Terminals](#)



ASSEMBLED VIEW
SCALE 1:1



- NOTES:
1. ASSEMBLY BULK PACKAGED PER PK-19429-001.
 2. USE CONNECTOR WITH MALE CRIMP TERMINAL: SERIES 19417.
 3. PLUG PANEL MOUNT ASSEMBLY DESIGNED TO MATE TO 19418 SERIES RECEPTACLE ASSEMBLIES.

| | |
|-----------------|--------|
| 194290047 | YES |
| 194290031 | NO |
| MATERIAL NUMBER | GASKET |

| | | | | | | |
|---|-----------------|---------------------------------------|--|------------------------|---------------------------|---|
| UPDATE THRU HOLE DIAMETER EC NO: WNA2009-0790 DRWN: WLEUNG 2009/06/01 CHKD: RDEROSS 2009/06/05 APPR: RDEROSS 2009/06/10 | QUALITY SYMBOLS | GENERAL TOLERANCES (UNLESS SPECIFIED) | SCALE 2:1 | DESIGN UNITS INCH | THIRD ANGLE PROJECTION | REVISE ON CAD ONLY |
| | | mm | INCH | DIMENSION STYLE IN/MM | | TITLE |
| | | 4 PLACES ± --- ± --- | | DRAWN BY DMYRICK | DATE 04/07/21 | 12 WAY PLUG PANEL MOUNT ASSEMBLY W/O BOSS 22-14 AWG |
| | | 3 PLACES ± --- ± .015 | | CHECKED BY JPAWLICK | DATE 04/07/21 | |
| 2 PLACES ± 0.38 ± --- | | APPROVED BY RDEROSS | DATE 04/07/21 | MATERIAL NO. SEE CHART | DOCUMENT NO. SD-19429-015 | SHEET NO. 1 OF 1 |
| 1 PLACE ± --- ± --- | | ANGULAR ± 1 ° | DRAFT WHERE APPLICABLE MUST REMAIN WITHIN DIMENSIONS | | | |
| THIS DRAWING CONTAINS INFORMATION THAT IS PROPRIETARY TO MOLEX INCORPORATED AND SHOULD NOT BE USED WITHOUT WRITTEN PERMISSION | | | | | | |