

9/11/99

FAO ANJA
 Page 1 of 5

BTE8000 Series
OEM pressure transducers for industrial media

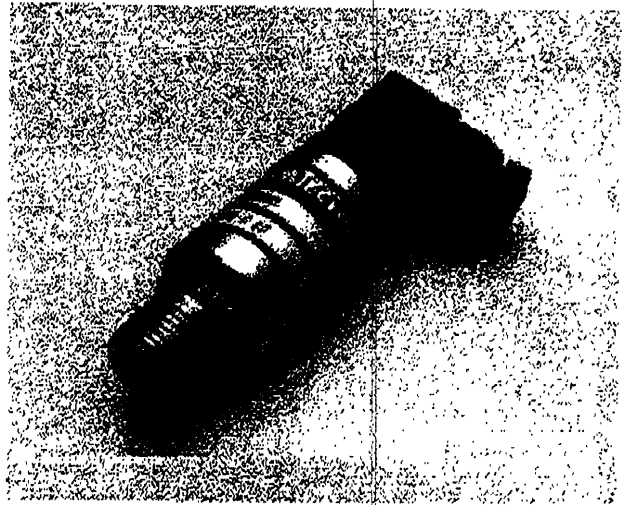
20381

306_9590

PRELIMINARY

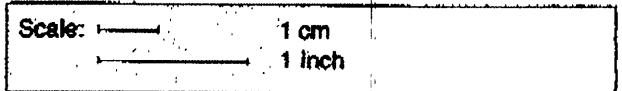
FEATURES

- 0 ... -1 bar to 0 ... 35 bar gage
- For many industrial gases and liquids
- 0 - 10 V, 0.5 - 4.5 V, 0 - 5 V and 4 ... 20 mA output
- Field interchangeable
- For industrial use



SERVICE

Pressure inlet: See media compatibility list.
 Housing: Chromadized aluminium, protection class IP65 according to DIN40050'



SPECIFICATIONS

Maximum ratings

Supply voltage (reverse polarity protection)	
BTE8...G0	12 ... 32 V
BTE8...G6, BT8...G7	9 ... 32 V
BTE8...G4 ²	9 ... 32 V

Maximum load current (source)	
BTE8...G0, BTE8...G6, BTE8...G7	2 mA

Temperature limits	
Storage	-55°C to 100°C
Operating ³	-40°C to 100°C
Compensated	0°C to 50°C

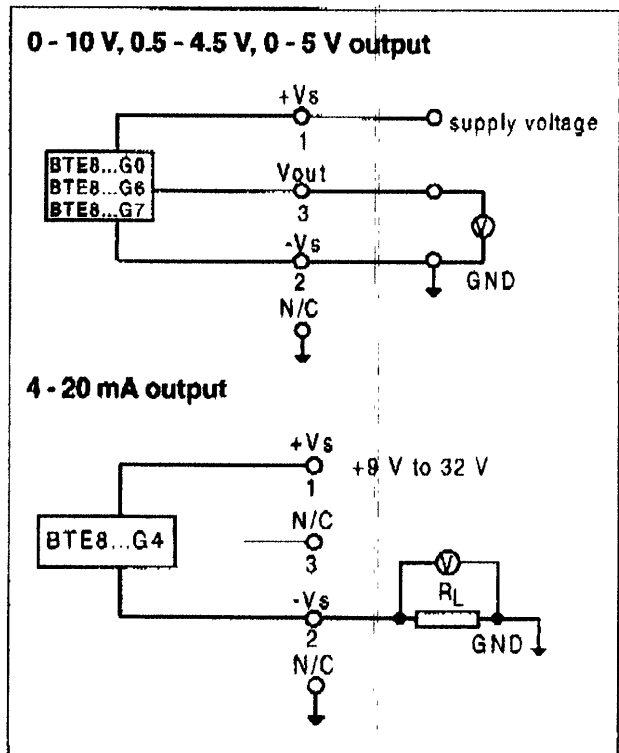
Humidity limits	0 - 98 %RH
-----------------	------------

Vibration (5 Hz to 500 Hz)	10 g _{RMS}
----------------------------	---------------------

Mechanical shock	50 g
------------------	------

Proof pressure ³	2 x rated pressure
-----------------------------	--------------------

ELECTRICAL CONNECTION



BTE8000 Series**OEM pressure transducers for industrial media****PRELIMINARY****COMMON PERFORMANCE CHARACTERISTICS**

Characteristics		Min.	Typ.	Max.	Unit
Operating pressure	BTE8P01-	0		1	bar
	...	-1		+1	
	BTE8002-	-1		0	
	...	0		2	
	BTE8005-	0		5	
	...	0		10	
BTE8010-	0		16		
	0		20		
BTE8016-	0		35		
	0				
Thermal effects (0 to 50°C) ⁴	Offset		0.02	0.05	%FSO/°C
	Span		0.02	0.05	
Thermal effects (-40°C to 0°C, 50°C to 100°C)	Offset		0.03		%FSO/°C
	Span		0.03		
Non-linearity and hysteresis (BSL) ⁵			±0.2		%FSO
Repeatability			±0.1		
Long term stability ⁶			±0.1		
Output noise (0 < f < 1 kHz)			±0.04		ms
Response time (10 % to 90 %)			1		
Power supply rejection	Offset		0.002		%FSOV
	Span		0.002		

ELECTROMAGNETIC CAPABILITY¹⁰

		Test conditions	Interference
Radiated, radio frequency electromagnetic field immunity (RFI)	IEC801-3:	Grade 3 10 V/m, 1 MHz to 1000 MHz unmodulated and 80 % modulated	<1% FSO
Electrical fast transient/burst immunity (EFT)	IEC 801-4:	Grade 3 ±2 kV	<1% FSO
Electrostatic discharge immunity (ESD)	IEC 801-2:	Grade 3 ±8 kV, contact discharge	<1% FSO

Specification notes (for all devices)

- The package is a all-sealed housing. IP65 protection is given when the connector is locked with a rubber washer. For proper function the gage port is vented to the atmosphere through the connector/cable assembly. Thus the cable end must have access to the ambient pressure.
- The minimum supply voltage is directly proportional to the load resistance seen by the transmitter. For more details see the load limitation diagrams.
- Proof pressure is the maximum pressure which may be applied without causing damage to the sensing element.
- Thermal effects tested and guaranteed from 0°C to 70°C relative to 25°C. All specifications shown are relative to 25°C.
- Non-linearity refers to the Best Straight Line fit measured for offset, full scale span and 1/2 full scale span.
- Change after one year or 1 million pressure cycles.
- Span is the arithmetic difference in transmitter output signal measured at zero pressure and the maximum operating pressure.
- Note: freezing media inside the pressure port may destroy the transmitter.
- Results after 6 weeks pressure inlet exposed to the medium.
- Tests are in accordance with EN61000-1-6, April 1997.

BTE8000 Series OEM pressure transducers for industrial media

PRELIMINARY**INDIVIDUAL PERFORMANCE CHARACTERISTICS**(unless otherwise noted, $V_s = 15\text{ V}$, $R_L > 100\text{ k}\Omega$, $t_{amb} = 25^\circ\text{C}$)**0 - 10 V output, BTE8...0**

Characteristics		Min.	Typ.	Max.	Unit
Zero pressure offset	BTE8N...	4.9	5	5.1	V
	all other	-0.1	0	0.1	
Full scale span ⁷	BTE8N...	4.9	5	5.1	V
	all other	9.9	10	10.1	
Output impedance				25	Ω
Current consumption (no load)			4	9.5	mA

0.5 - 4.5 V output, BTE8...6

Characteristics		Min.	Typ.	Max.	Unit
Zero pressure offset	BTE8N...	2.455	2.5	2.545	V
	all other	0.455	0.5	0.545	
Full scale span ⁷	BTE8N...	1.955	2	2.045	V
	all other	3.955	4	4.045	
Output impedance				25	Ω
Current consumption (no load)			4	8.5	mA

0 - 5 V output, BTE8...7

Characteristics		Min.	Typ.	Max.	Unit
Zero pressure offset	BTE8N...	2.45	2.5	2.55	V
	all other	-0.05	0	0.05	
Full scale span ⁷	BTE8N...	2.45	2.5	2.55	V
	all other	4.95	5.0	5.05	
Output impedance				25	Ω
Current consumption (no load)			4	8.5	mA

4 - 20 mA output, BTE8...4 (unless otherwise noted, $V_s = 15\text{ V}$, $R_L > 100\text{ }\Omega$, $t_{amb} = 25^\circ\text{C}$)

Characteristics		Min.	Typ.	Max.	Unit
Zero pressure offset	BTE8N...	11.8	12.0	12.2	mA
	all other	3.8	4.0	4.2	
Full scale span ⁷	BTE8N...	7.8	8.0	8.2	mA
	all other	15.8	16.0	16.2	
Power consumption ($I_L = 20\text{ mA}$)			260		mW

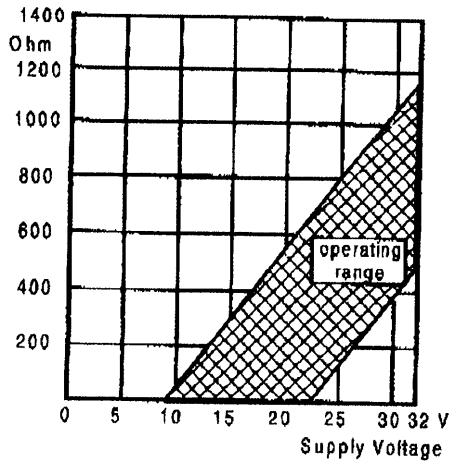
BTE8000 Series

OEM pressure transducers for industrial media

PRELIMINARY

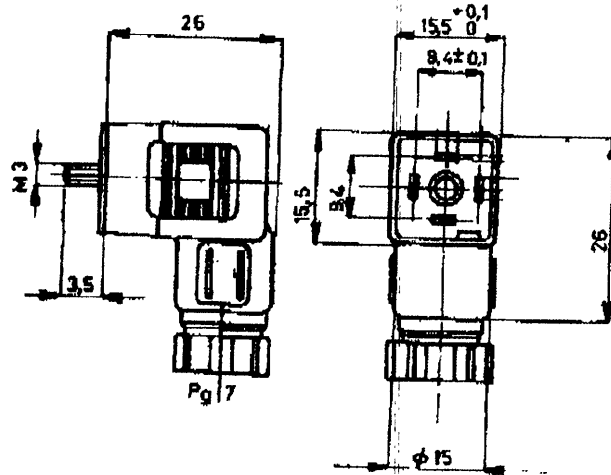
LOAD LIMITATION

4 - 20 mA output version



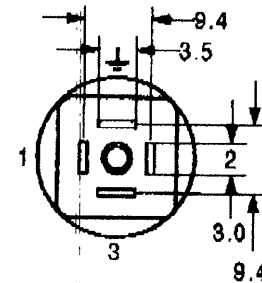
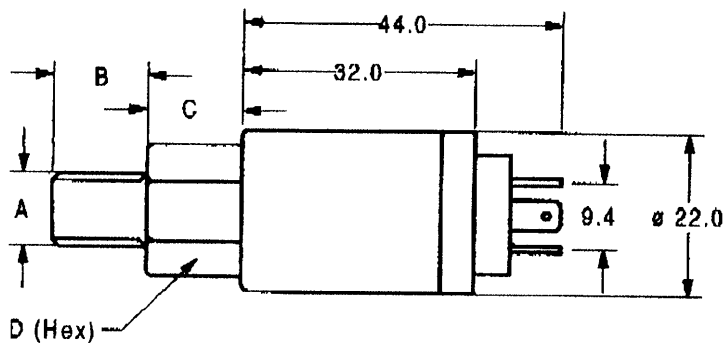
RECOMMENDED PLUG ZP004070 (similar to DIN43650-C)

Plug and profile washer included in delivery !



Dimensions in mm

OUTLINE DRAWING



Dimensions in mm

Mass: typ. g

Dimensions (mm)			
A	B	C	D (Hex)
1/8"BSPT	8	13	14
1/4"BSPT	12	6	17
3/8"BSPT	12	6	22
1/8"NPT	10	13	17
1/4"NPT	14	6	22

Pin	Output	
	0 - 10 V 0.5 - 4.5 V 0 - 5 V	4 - 20 mA
1	+V _s	+V _s
2	-V _s	-V _s
3	V _{out}	NC
↓	NC	NC

BTE8000 Series

OEM pressure transducers for industrial media

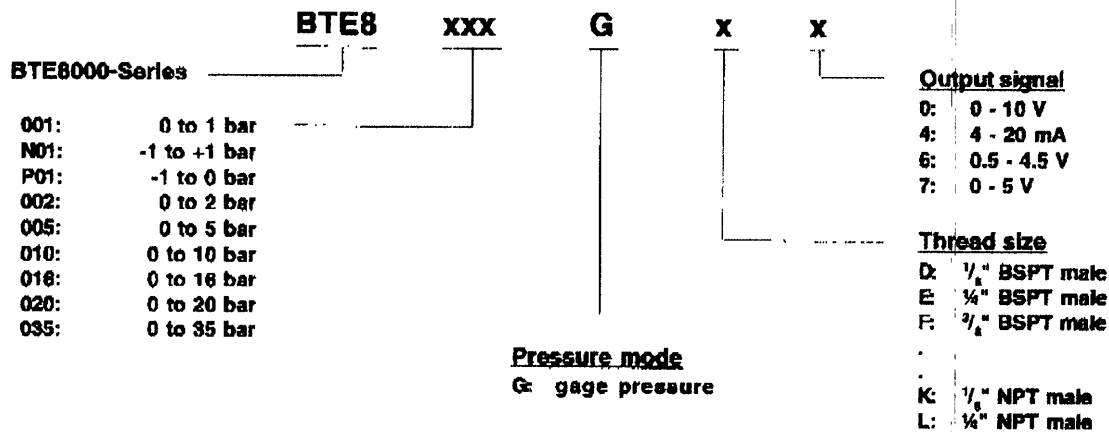
PRELIMINARY

MEDIA COMPATIBILITY^{8,9}

Air (100 % RH)	+	Hydrogen		+
Alcohol	+	Nitrogen		+
Bleach	-	Oil	Mineral	+
Brake fluid	+		Hydraulic	+
Freon	+		Motor (synthetic	+
Glycerin	+		used)	+
Glycol	+	Oxygen	Silicone	+
Heating oil (light)	+	Petroleum		+
Helium	+	(unloaded)		+
		Tap water		contact

+ compatible - not compatible

ORDERING INFORMATION



Sensortech reserves the right to make changes to any products herein. Sensortech does not assume any liability arising out of the application or use of any product or circuit described herein, neither does it convey any license under its patent rights nor the rights of others.