

PLEASE CHECK WWW.MOLEX.COM FOR LATEST PART INFORMATION

Part Number: [0350979822](#)
Status: **Active**
Description: MP-Lock™ Quick Disconnect with Vibration Support, Female, for 16-20AWG (1.31-0.52mm²); Metal Strip, Tab 2.79 by 0.60mm (.110 by .023"), Pre-Tin Plated

Documents:

[Drawing \(PDF\)](#) [RoHS Certificate of Compliance \(PDF\)](#)
[Product Specification PS-35097-001 \(PDF\)](#)

General

Product Family	Crimp Terminals
Series	35097
Crimp Quality Equipment	Yes
Product Name	MP-Lock™

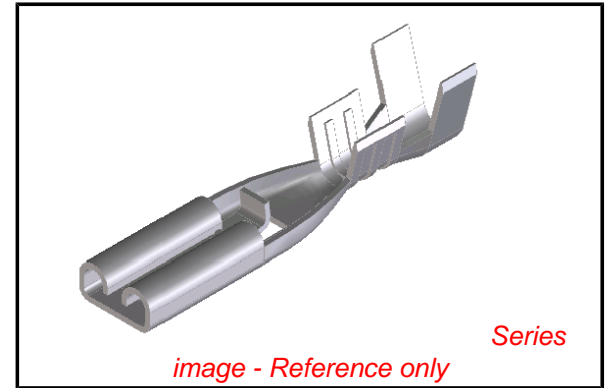
Physical

Gender	Female
Material - Metal	Brass
Material - Plating Mating	Tin
Material - Plating Termination	Tin
Packaging Type	Reel
Plating min: Mating (µin)	32.00
Plating min: Mating (µm)	0.800
Plating min: Termination (µin)	32.00
Plating min: Termination (µm)	0.80
Termination Interface: Style	Crimp or Compression
Wire Insulation Diameter	3.40mm (.134") max.
Wire Size AWG	16, 18, 20
Wire Size mm ²	0.50 TO 1.30

Material Info

Reference - Drawing Numbers

Product Specification	PS-35097-001
Sales Drawing	SD-35097-001



EU RoHS

**ELV and RoHS
Compliant**
**REACH SVHC
Contains SVHC: No**
**Halogen-Free
Status**

China RoHS



**Need more information on product
environmental compliance?**

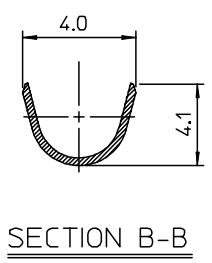
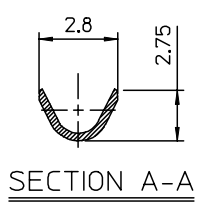
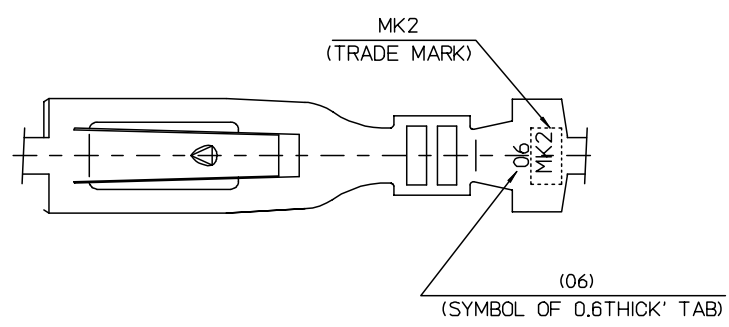
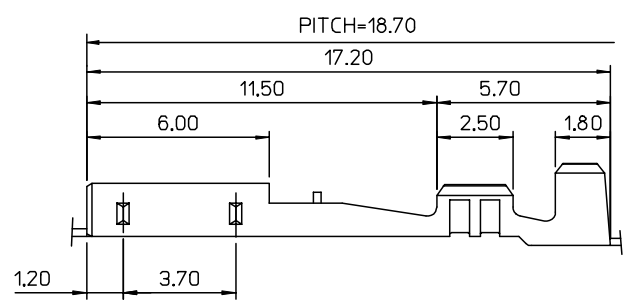
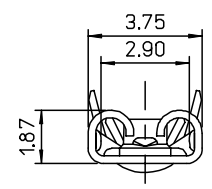
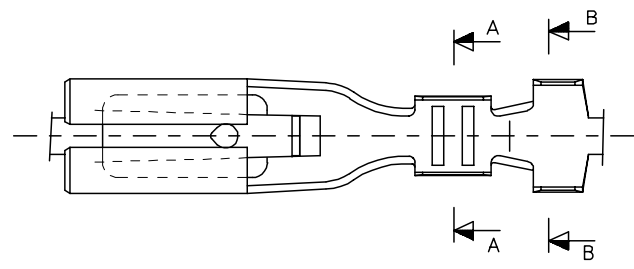
Email productcompliance@molex.com
 For a multiple part number RoHS Certificate of Compliance, [click here](#)

Please visit the [Contact Us](#) section for any non-product compliance questions.

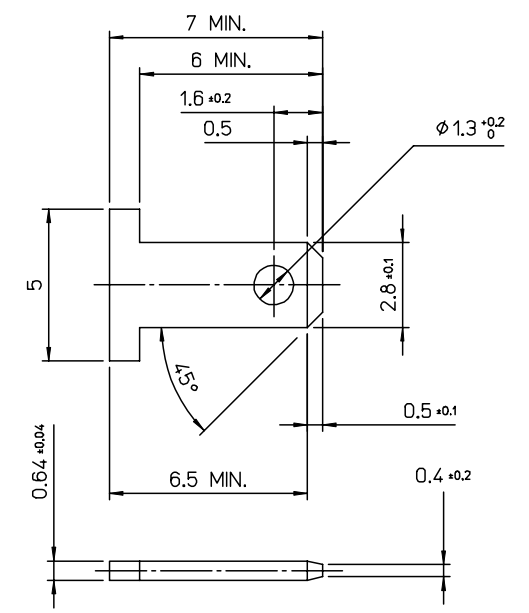
Search Parts in this Series
[35097Series](#)

Use With
 2.80mm (.110") Tab

DO NOT SCALE DRAWING DIMENSION IN METRIC
 PROJECT NO. SD-35097-001
 SIMILAR ITEM
 DWG. NO. SD-35097-001



MATING TEST TAB



1. MATERIAL : UNPLATED BRASS(C2600T)
HARDNESS : 62+/-7 ROCKWELL 30T SCALE
(VICKERS HARDNESS : HV104-148)
2. NO BURRS PERMISSABLE AT HOLE

- NOTES**
1. MATERIAL : BRASS, 0.25mm THICKNESS.
 2. FINISH : PRE-TIN PLATED
 3. APPLICABLE WIRE RANGE : AWG #20 - #16
 4. INSERTION & WITHDRWL FORCE : (MATED 0.6t TAB)
PER THE FOLLING PS-35097-001

NEW RELEASED ECN NO. KOR2005-0188 DRWN: J.B.JIN 05/04/19 CHK: W.Y.YANG APPR: C.W.LEE	QUALITY SYMBOLS MAJOR ∇ = 0 CRITICAL ∇ C = 0	GENERAL TOLERANCES: (UNLESS SPECIFIED)		SCALE 6:1	DESIGN UNITS <input checked="" type="checkbox"/> mm <input type="checkbox"/> INCH	THIRD ANGLE PROJECTION <input checked="" type="checkbox"/> <input type="checkbox"/>	DIMENSIONS: <input type="checkbox"/> mm <input checked="" type="checkbox"/> INCH	SHT 1	REV
		4 PLACES	±0.	±-	DRAWN BY & DATE C.B.CHIN 04/03/17	TITLE: .110 MP-Lock RECEPTACLE TERMINAL (0.6t TAB)			
		3 PLACES	±0.	±-	CHECKED BY & DATE W.Y.YANG 04/03/17	MOLEX INCORPORATED			
		2 PLACES	±0.30	±-	APPROVED BY & DATE C.W.LEE 04/03/17	CAD FILENAME S0979822A.AMI	MATERIAL NO. 350979822	DRAWING NO. SD-35097-001	SHEET NO. 1 OF 1
1 PLACE	±0.30	±-	ANGULAR: ± °	DRAFT WHERE APPLICABLE MUST REMAIN WITHIN DIMENSIONS				THIS DRAWING CONTAINS INFORMATION THAT IS PROPRIETARY TO MOLEX INCORPORATED AND SHOULD NOT BE USED WITHOUT WRITTEN PERMISSION.	