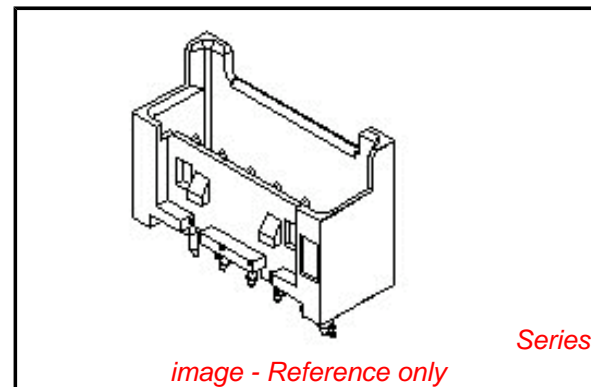


PLEASE CHECK WWW.MOLEX.COM FOR LATEST PART INFORMATION

Part Number: [0533751110](#)
Status: **Active**
Overview: [minilock](#)
Description: 2.50mm (.098") Pitch Mini-Lock™ Wire-to-Board Header, Vertical, Friction and Positive Lock, 11 Circuits, Lead-free

Documents:

| | |
|--|--|
| 3D Model | Product Specification PS-51163-001 (PDF) |
| Drawing (PDF) | Product Specification PS-51163-002 (PDF) |
| Product Specification PS-51103-005 (PDF) | RoHS Certificate of Compliance (PDF) |
| Product Specification PS-51103-007 (PDF) | |



Agency Certification

| | |
|-----|-----------|
| CSA | LR19980 |
| TUV | R72081037 |
| UL | E29179 |

General

| | |
|----------------|--------------------------|
| Product Family | PCB Headers |
| Series | 53375 |
| Application | Wire-to-Board |
| Overview | minilock |
| Product Name | Mini-Lock™ |

Physical

| | |
|--------------------------------|-----------------|
| Breakaway | No |
| Circuits (Loaded) | 11 |
| Circuits (maximum) | 11 |
| Color - Resin | Natural |
| Durability (mating cycles max) | 30 |
| First Mate / Last Break | No |
| Flammability | 94V-0 |
| Glow-Wire Compliant | No |
| Guide to Mating Part | No |
| Keying to Mating Part | None |
| Lock to Mating Part | Yes |
| Material - Plating Mating | Tin |
| Material - Plating Termination | Tin |
| Material - Resin | Polyester |
| Number of Rows | 1 |
| Orientation | Vertical |
| PC Tail Length (in) | 0.134 In |
| PC Tail Length (mm) | 3.40 mm |
| PCB Locator | Yes |
| PCB Retention | Yes |
| PCB Thickness Recommended (in) | 0.062 In |
| PCB Thickness Recommended (mm) | 1.60 mm |
| Packaging Type | Bag |
| Pitch - Mating Interface (in) | 0.098 In |
| Pitch - Mating Interface (mm) | 2.50 mm |
| Polarized to PCB | Yes |
| Shrouded | Fully |
| Stackable | No |
| Surface Mount Compatible (SMC) | No |
| Temperature Range - Operating | -40°C to +105°C |
| Termination Interface: Style | Through Hole |

EU RoHS

ELV and RoHS Compliant
REACH SVHC Contains SVHC: No
Halogen-Free Status
Not Reviewed

China RoHS



Need more information on product environmental compliance?

Email productcompliance@molex.com
 For a multiple part number RoHS Certificate of Compliance, [click here](#)

Please visit the [Contact Us](#) section for any non-product compliance questions.

Search Parts in this Series

[53375Series](#)

Mates With

Mini-Lock™ Wire-to-Board and Wire-to-Wire Crimp Terminal 51103 , 51102 , 51163

Electrical

Current - Maximum per Contact

3A

Voltage - Maximum

250V

Material Info**Reference - Drawing Numbers**

Packaging Specification

SPK-53375-001

Product Specification

PS-51103-005, PS-51103-007, PS-51163-001,
PS-51163-002, RPS-51103-009, RPS-51103-010,
RPS-51103-011, RPS-51103-028, RPS-51103-030,
RPS-51103-032, RPS-51103-041, RPS-51103-046,
RPS-51103-047, RPS-51103-050, RPS-51103-056,
RPS-51163-002
SD-53375-001

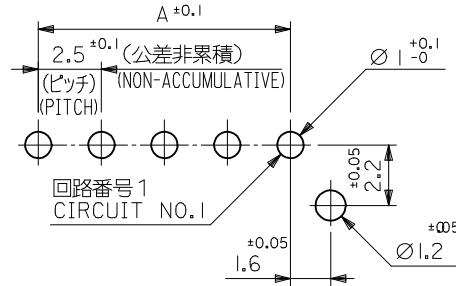
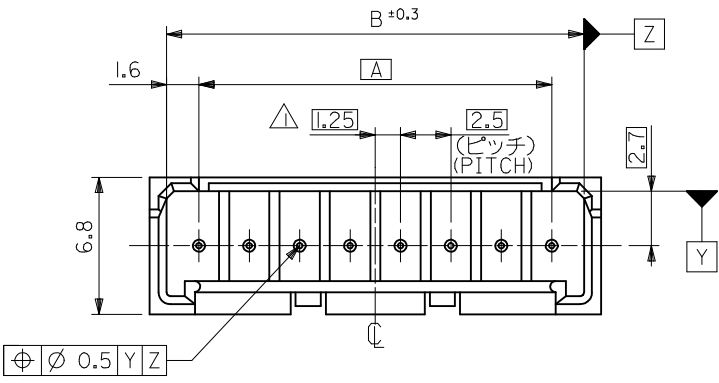
Sales Drawing

This document was generated on 05/25/2010

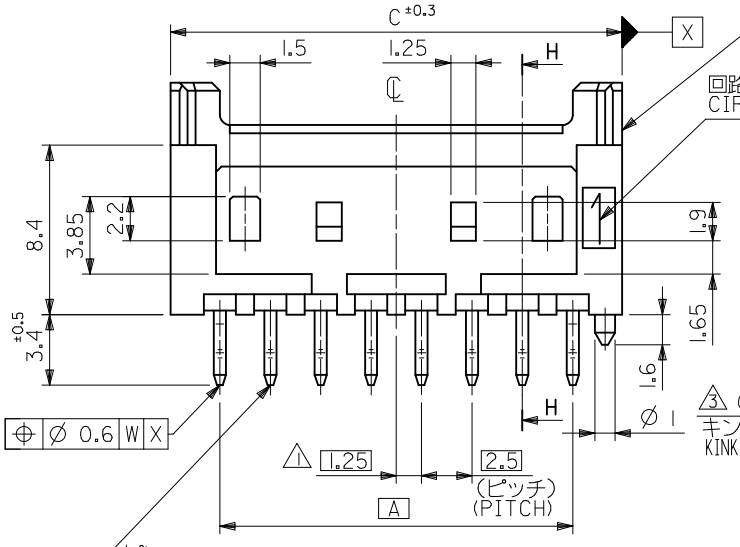
PLEASE CHECK WWW.MOLEX.COM FOR LATEST PART INFORMATION

注記
NOTES

- △ 偶数極品に適用。
APPLIES ONLY TO EVEN NO. CKT. SIZES.
- 2. 嵌合相手：51103 シリーズ
MATES WITH : 51103 SERIES.
- △ 3極以上のキンク形状は両サイドが(A)、その他の極はすべて(B)形状とする。
KINK FORM
MORE THAN 2 CIRCUIT:
PINS AT BOTH ENDS ARE KINK FORMED TO (A),
THE OTHER PINS ARE KINK FORMED TO (B).
- 4. 製品番号の下1桁は色を表します。
LAST DIGIT OF PART NUMBER INDICATES COLOR.
0: 白 WHITE 1: 黒 BLACK 2: 赤 RED
3: 黄 YELLOW 4: 青 BLUE
- 5. 材料 ウェハー: PBTP(15%G.F.), UL94V-0
WEFER
ピン: リン青銅 錫メッキ 1.0μm以上
下地銅メッキ 0.5μm以上
PIN: PHOSPHOR BRONZE,
TIN 1.0 micrometer MINMUM
OVER COPPER 0.5 micrometer MINIMUM
PLATING.

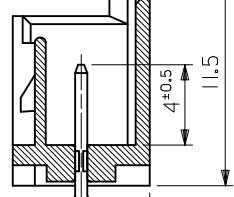


基板取付穴推奨寸法 (マウント面)
RECOMMENDED P.C.BOARD HOLE DIMENSION
(MOUNTING SIDE)
($t=1.6$) (SCALE 5 : 1)

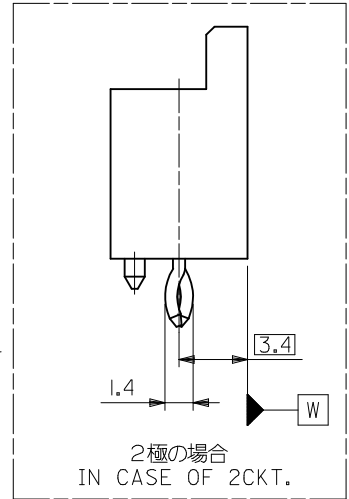


ウェハー
WAFER
PBTP(15%G.F.),UL94V-0

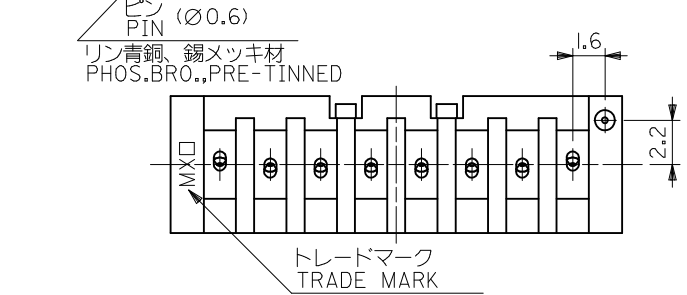
回路番号1
CIRCUIT NO.1



断面 H-H
SECT. H-H



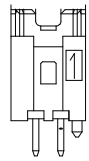
2極の場合
IN CASE OF 2CKT.



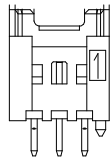
トレードマーク
TRADE MARK

| | | | | | |
|------|------|------|------------------------|-----|-----------------------|
| 39.9 | 38.2 | 35 | 53375-15 | * | 15 |
| 37.4 | 35.7 | 32.5 | ↑ | -14 | 14 |
| 34.9 | 33.2 | 30 | | -13 | 13 |
| 32.4 | 30.7 | 27.5 | | -12 | 12 |
| 29.9 | 28.2 | 25 | | -11 | 11 |
| 27.4 | 25.7 | 22.5 | | -10 | 10 |
| 24.9 | 23.2 | 20 | | -09 | 9 |
| 22.4 | 20.7 | 17.5 | | -08 | 8 |
| 19.9 | 18.2 | 15 | | -07 | 7 |
| 17.4 | 15.7 | 12.5 | | -06 | 6 |
| 14.9 | 13.2 | 10 | | -05 | 5 |
| 12.4 | 10.7 | 7.5 | | -04 | 4 |
| 9.9 | 8.2 | 5 | | -03 | 3 |
| 7.4 | 5.7 | 2.5 | 53375-02 | * | 2 |
| C | B | A | TRAY PACKAGE ORDER NO. | | 極数 NO. OF CKTS. |
| | | | MODEL NO. 53375-**1* | | |

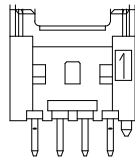
| | | | | | | | |
|--|----------------------|--|----------------------------|---|------------------------|--|--|
| REVISED EC NO: J2010-0365 DRWN: YG010 2009/09/02 CHKD: KASAKAWA 2009/09/03 APPR: NUKITA 2009/09/03 | DESCRIPTION G REV | GENERAL TOLERANCES (UNLESS SPECIFIED) | DIMENSION STYLE MM ONLY | SCALE 4:1 | DESIGN UNITS METRIC | TITLE 2.5 W/B CONN WAFER ASSY WITH KINK -LEAD FREE- MOLEX INCORPORATED SD-53375-001 | |
| | | 10 UNDER ±0.2 | DRAWN BY K. TOJO | DATE 1992/05/06 | THIRD ANGLE PROJECTION | | |
| | | 10 OVER 30 UNDER ±0.25 | CHECKED BY H. HIRAMOTO | DATE 1994/03/08 | DOCUMENT NO. | | |
| | | 30 OVER ±0.3 | APPROVED BY M. FUKUSUMA | DATE 1994/03/08 | SHEET NO. | | |
| ANGULAR ±3 ° | | DRAFT WHERE APPLICABLE MUST REMAIN WITHIN DIMENSIONS | | MATERIAL NO. | | 1 OF 2 | |
| | | SEE TABLE | | THIS DRAWING CONTAINS INFORMATION THAT IS PROPRIETARY TO MOLEX INCORPORATED AND SHOULD NOT BE USED WITHOUT WRITTEN PERMISSION | | | |



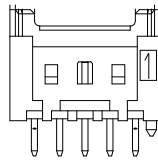
2極
2 CKT.



3極
3 CKT.



4極
4 CKT.



5極
5 CKT.

ロック形状図
LOCK CONFIGURATION

| | | | |
|-----------------------------|-------------------------------|----------------------------|-----------------------------|
| 53375-1514 | 53375-1513 | 53375-1510 | 15 |
| | | 53375-1410 | 14 |
| | | 53375-1310 | 13 |
| 53375-1214 | 53375-1213 | 53375-1210 | 12 |
| | | 53375-1110 | 11 |
| | | 53375-1010 | 10 |
| | | 53375-0910 | 9 |
| 53375-0814 | | 53375-0812 | 8 |
| | | 53375-0712 | 7 |
| 53375-0614 | 53375-0613 | 53375-0612 | 6 |
| | | 53375-0512 | 5 |
| | | 53375-0410 | 4 |
| | | 53375-0310 | 3 |
| 53375-0214 | 53375-0213 | 53375-0212 | 2 |
| 53375-**-14 COLOR : BLUE | 53375-**-13 COLOR : YELLOW | 53375-**-12 COLOR : RED | 53375**-10 COLOR : WHITE |
| TRAY PACKAGE ORDER No. | | | |

CKT.

| | | | | | | | | | | |
|---|--|--|--|--|---|--|--|------------------------|---------------------------|--|
| REVISED EC NO: J2010-0365 DRWN: YGOTO CHKD: KASAKAWA APPR: NUKITA | 2009/09/02 2009/09/03 2009/09/03 | | GENERAL TOLERANCES (UNLESS SPECIFIED) | | DIMENSION STYLE MM ONLY | | SCALE 4:1 | DESIGN UNITS METRIC | THIRD ANGLE PROJECTION | |
| | 10 UNDER ±0.2 | | 10 OVER 30 UNDER ±0.25 | | DRAWN BY DATE K. TOJO 1992/05/06 | | TITLE 2.5 W/B CONN WAFER ASSY WITH KINK -LEAD FREE- | | | |
| | 30 OVER ±0.3 | | ANGULAR ±3 ° | | CHECKED BY DATE H. HIRAMOTO 1994/03/08 | | MOLEX INCORPORATED | | | |
| | DRAFT WHERE APPLICABLE MUST REMAIN WITHIN DIMENSIONS | | APPROVED BY DATE M. FUKUSUMA 1994/03/08 | | MATERIAL NO. SEE TABLE | | DOCUMENT NO. SD-53375-001 | | SHEET NO. 2 OF 2 | |