

75V16F64GS16



64 Mbit FLASH MEMORY AND 16 Mbit PSEUDO SRAM STACKED MULTI-CHIP PACKAGE (MCP)

PRELIMINARY INFORMATION
AUGUST 2002

MCP FEATURES

- Power supply voltage of 2.7 to 3.1 volt
- High performance:
 - Flash access time as fast as 70 ns
 - PSRAM access time as fast as 80 ns
- Package: 65-Ball FBGA
- Operating Temperature: -30°C to +85°C

FLASH MEMORY FEATURES

- 0.16 μm Process Technology
- Simultaneous Read/Write Operations (Dual Bank)
- FlexBank™ architecture
 - Bank A : 8 Mbit (8 KB x 8 and 64 KB x 15)
 - Bank B : 24 Mbit (64 KB x 48)
 - Bank C : 24 Mbit (64 KB x 48)
 - Bank D : 8 Mbit (8 KB x 8 and 64 KB x 15)
 - Two virtual Banks are chosen from the combination of four physical banks (Refer to "Example of Virtual Banks Combination Table" and Simultaneous Operation Table" in FLEXIBLE SECTOR-ERASE ARCHITECTURE on FLASH MEMORY)
 - Host system can program or erase in one bank, and then read immediately and simultaneously from the other bank with zero latency between read and write operations.
 - Read-while-erase
 - Read-while-program
- Single 3.0 V Read, Program, and Erase
 - Minimized system level power requirements
- Minimum 100,000 Program/Erase Cycles
- Sector Erase Architecture
 - Sixteen 4 Kword and one hundred twenty-six 32 Kword sectors in word
 - Any combination of sectors can be concurrently erased
 - Supports full chip erase
- Hidden ROM (Hi-ROM) Region
 - 256 byte of Hi-ROM, accessible through a new "Hi-ROM Enable" command sequence
 - Factory serialized and protected to provide a secure electronic serial number (ESN)

- $\overline{\text{WP}}$ /ACC Input Pin
 - At V_{IL} , allows protection of "outermost" 2×8 Kbytes on both ends of boot sectors, regardless of sector protection/unprotection status
 - At V_{IH} , allows removal of boot sector protection
 - At V_{ACC} , program time will be reduced by 40 %
- Embedded Erase™ Algorithms
 - Automatically preprograms and erases the chip or any sector
- Embedded Program™ Algorithms
 - Automatically writes and verifies data at specified address
- Data Polling and Toggle Bit Feature for Detection of Program or Erase Cycle Completion
- Ready/Busy Output (RY/ $\overline{\text{BY}}$)
 - Hardware method for detection of program or erase cycle completion
- Automatic Sleep Mode
 - When addresses remain stable, the device automatically switches itself to low power mode.
- Low V_{ccf} Write Inhibit ≤ 2.5 V
- Program Suspend/Resume
 - Suspends the program operation to allow a read in another byte
- Erase Suspend/Resume
 - Suspends the erase operation to allow a read data and/or program in another sector within the same device

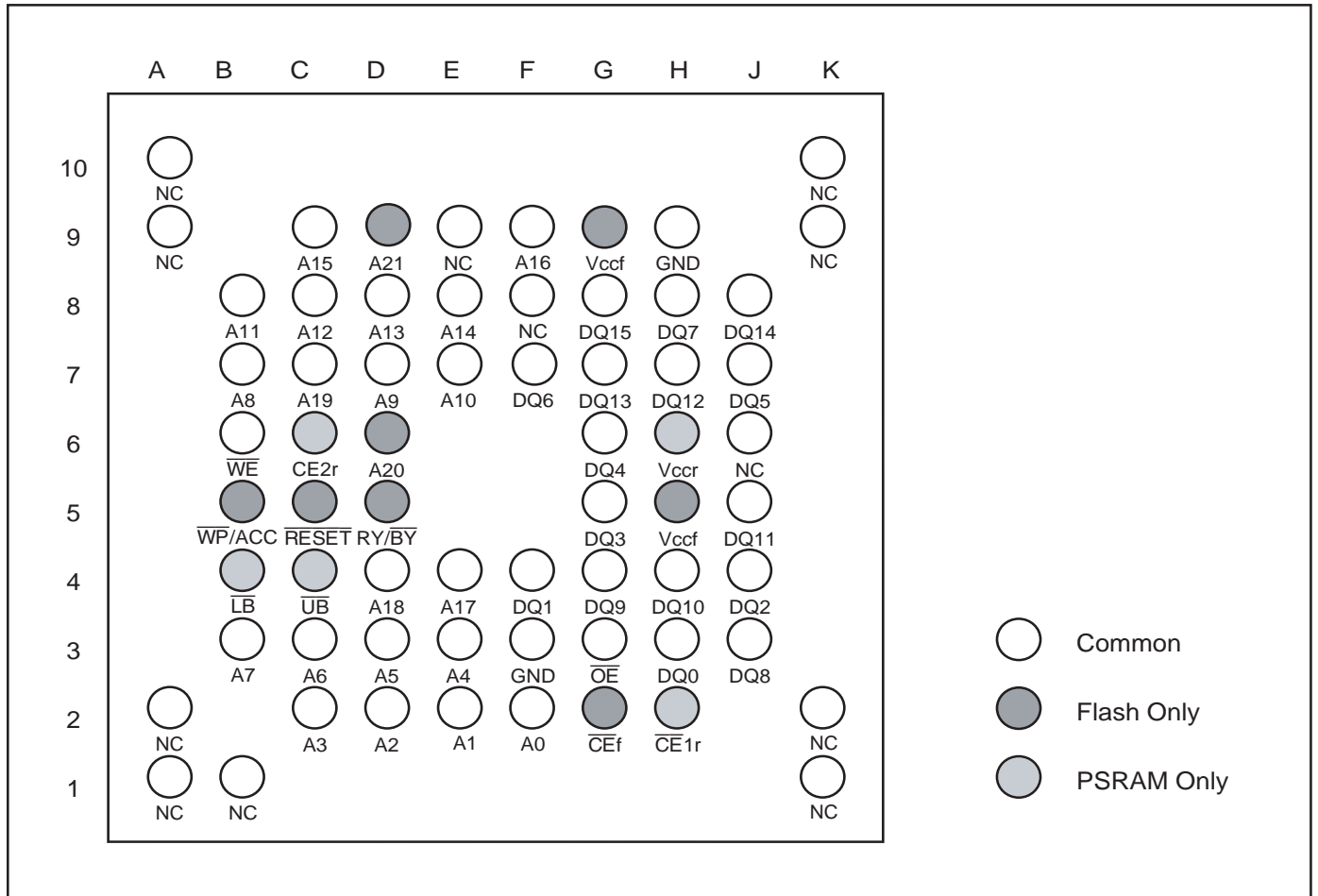
PSRAM FEATURES

- Power Dissipation:
 - Operating : 20 mA Max
 - Standby : 70 μA Max
 - Power Down : 10 μA Max
- Power down Control by CE2r
- Byte Write Control : $\overline{\text{LB}}$ (DQ_7 - DQ_0), $\overline{\text{UB}}$ (DQ_{15} - DQ_8)
- 4 words Address Access Capability

Copyright © 2002 Integrated Silicon Solution, Inc. All rights reserved. ISSI reserves the right to make changes to this specification and its products at any time without notice. ISSI assumes no liability arising out of the application or use of any information, products or services described herein. Customers are advised to obtain the latest version of this device specification before relying on any published information and before placing orders for products. FlexBank™ is a trademark of Fujitsu Limited, Japan. Embedded Erase™ and Embedded Program™ are trademarks of Advanced Micro Devices, Inc

PIN CONFIGURATION (64 Mb Flash and 16 Mb PSRAM)

PACKAGE CODE: D 65 BALL FBGA (Top View) (9.00 mm x 9.00 mm Body, 0.8 mm Ball Pitch)

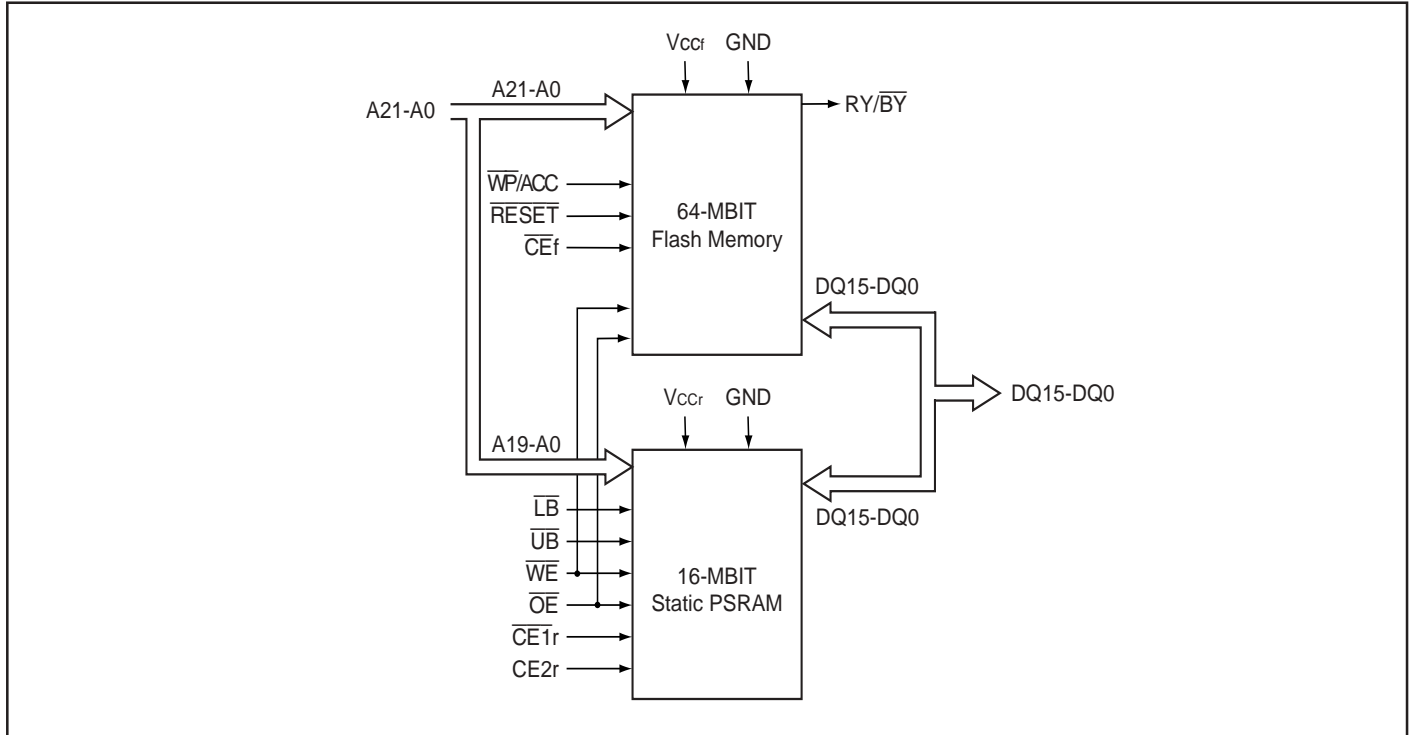


PIN DESCRIPTIONS

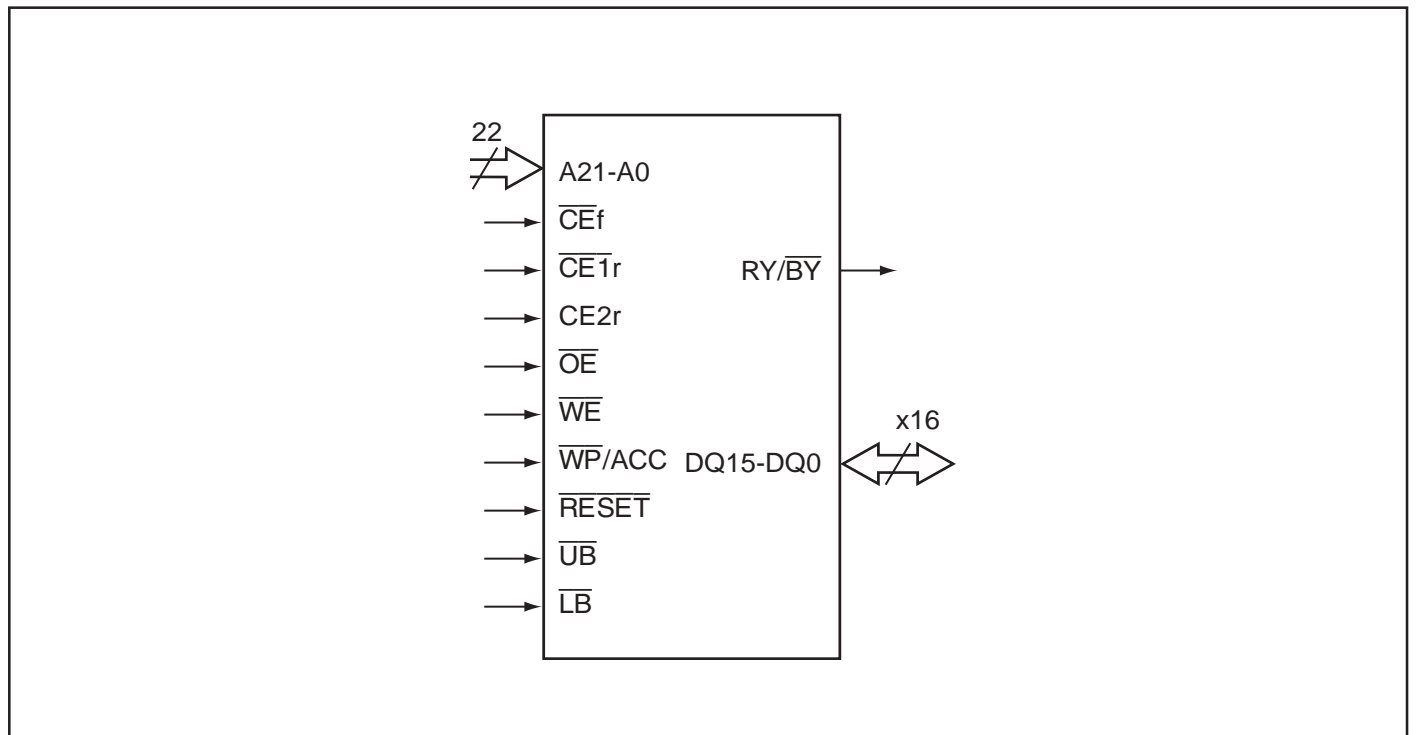
A0-A19	Address Inputs, Common
A20-A21	Address Inputs, Flash
DQ0-DQ15	Data Inputs/Outputs, Common
RESET	Hardware Reset Pin/Acceleration, Flash
CE1r,CE2r	Chip Enable, PSRAM
RY/BY	Ready/Busy Output, Flash Open Drain Output
CEf	Chip Enable, Flash
OE	Output Enable, Common
WE	Write Enable, Common

LB	Lower-byte Control, PSRAM
UB	Upper-byte Control, PSRAM
WP/ACC	Write Protect/Acceleration, Flash
RY/BY	Ready/Busy Output
NC	No Internal Connection
Vccf	Device Power Supply, Flash
GND	Device Ground, Common
Vccr	Device Power, PSRAM

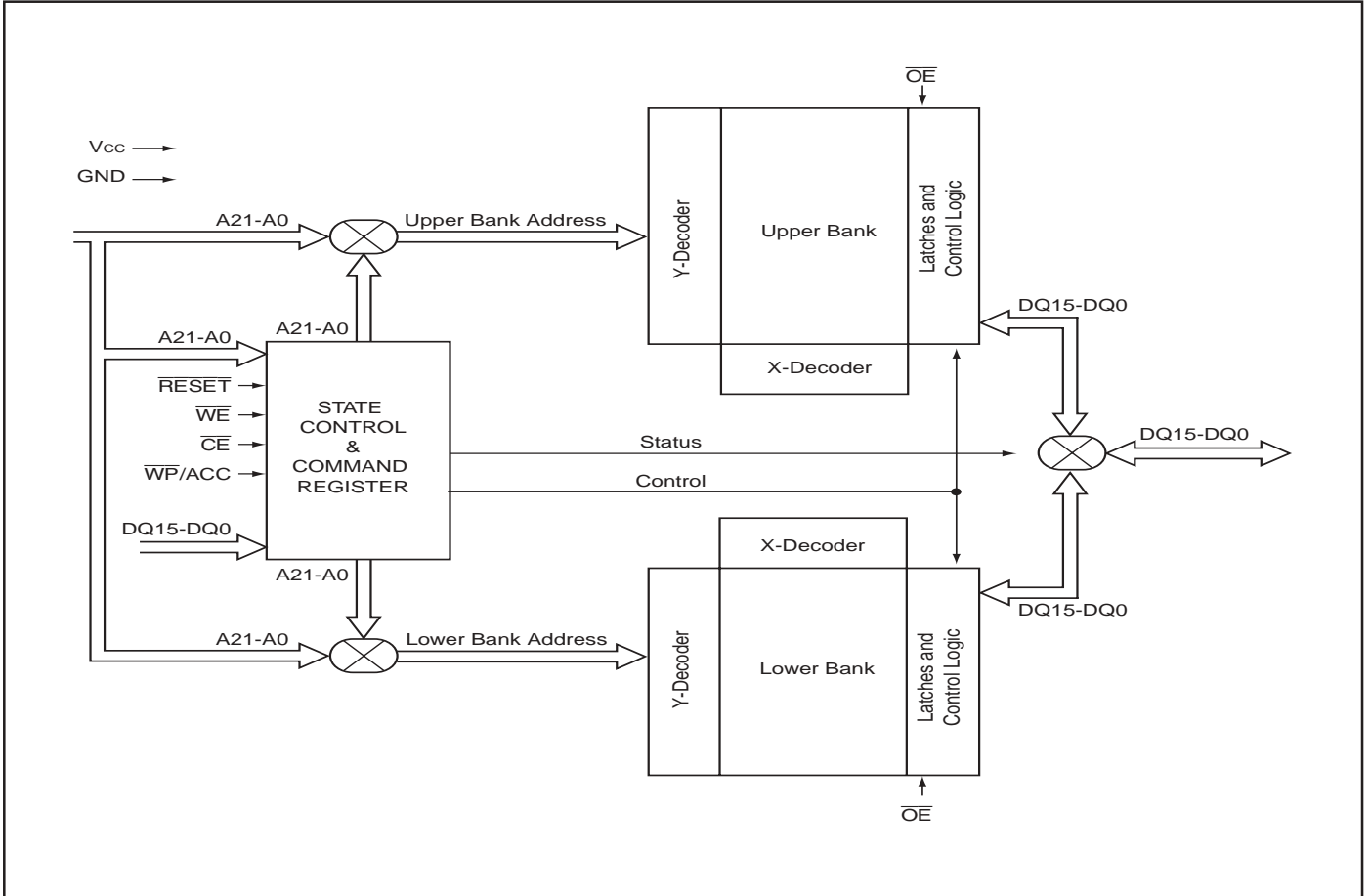
MCP BLOCK DIAGRAM



LOGIC SYMBOL



FLASH MEMORY BLOCK DIAGRAM



DEVICE BUS OPERATIONS

OPERATION ^(1,2)	$\overline{CE}f$	$\overline{CE}1r$	CE2r	\overline{OE}	\overline{WE}	$\overline{LB}s$	$\overline{UB}s$	DQ ₇ -DQ ₀	DQ ₁₅ -DQ ₈	\overline{RESET}	$\overline{WP/ACC}^{(7)}$
Full Standby	H	H	H	X	X	X	X	High-Z	High-Z	H	X
Output Disable ⁽³⁾	H	L	X	H	H	X	X	High-Z	High-Z	H	X
	L	H	X	H	H	X	X	High-Z	High-Z	H	X
Read from Flash ⁽⁴⁾	L	H	X	L	H	X	X	DOUT	DOUT	H	X
Write to Flash	L	H	X	H	L	X	X	DIN	DIN	H	X
Read from PSRAM ⁽⁵⁾	H	L	H	L	H	X	X	DOUT	DOUT	H	X
Write to PSRAM	H	L	H	H	L	L	L	DIN	DIN	H	X
						H	L	High-Z	DIN		
						L	H	DIN	High-Z		
Temporary Sector Group Unprotection ⁽⁶⁾	X	X	X	X	X	X	X	X	X	V _{ID}	X
Flash Hardware Reset	X	H	H	X	X	X	X	High-Z	High-Z	L	X
Boot Block Sector Write Protection	X	X	X	X	X	X	X	X	X	X	L
PSRAM Power Down ⁽⁸⁾	X	X	L	X	X	X	X	X	X	X	X

Legend : L = VIL, H = VIH, X = VIL or VIH. See "DC CHARACTERISTICS" for voltage levels.

Notes:

- Other operations not indicated in this table are prohibited.
- Do not apply $\overline{CE}f = VIL$, $\overline{CE}1r = VIL$ and $CE2r = VIH$ all at once.
- PSRAM Output Disable condition should not be kept longer than 1 ms.
- \overline{WE} can be VIL if \overline{OE} is VIL, \overline{OE} at VIH initiates the write operations.
- PSRAM Byte control at Read operation is not supported.
- Also used for the extended sector group protections.
- Protects "outermost" 2 ´ 8 Kbytes (4 words) on both ends of the boot block sectors.
- Power Down mode can be entered from Standby state and all DQ pins are in High-Z state.

FLEXIBLE SECTOR-ERASE ARCHITECTURE ON FLASH MEMORY

Bank	Sector			Bank	Sector		
Type	Address	K-Word	Address	Type	Address	K-Word	Address
BankA	SA0	4	000000h	BankB	SA36	32	0E8000h
BankA	SA1	4	001000h	BankB	SA37	32	0F0000h
BankA	SA2	4	002000h	BankB	SA38	32	0F8000h
BankA	SA3	4	003000h	BankB	SA39	32	100000h
BankA	SA4	4	004000h	BankB	SA40	32	108000h
BankA	SA5	4	005000h	BankB	SA41	32	110000h
BankA	SA6	4	006000h	BankB	SA42	32	118000h
BankA	SA7	4	007000h	BankB	SA43	32	120000h
BankA	SA8	32	008000h	BankB	SA44	32	128000h
BankA	SA9	32	010000h	BankB	SA45	32	130000h
BankA	SA10	32	018000h	BankB	SA46	32	138000h
BankA	SA11	32	020000h	BankB	SA47	32	140000h
BankA	SA12	32	028000h	BankB	SA48	32	148000h
BankA	SA13	32	030000h	BankB	SA49	32	150000h
BankA	SA14	32	038000h	BankB	SA50	32	158000h
BankA	SA15	32	040000h	BankB	SA51	32	160000h
BankA	SA16	32	048000h	BankB	SA52	32	168000h
BankA	SA17	32	050000h	BankB	SA53	32	170000h
BankA	SA18	32	058000h	BankB	SA54	32	178000h
BankA	SA19	32	060000h	BankB	SA55	32	180000h
BankA	SA20	32	068000h	BankB	SA56	32	188000h
BankA	SA21	32	070000h	BankB	SA57	32	190000h
BankA	SA22	32	078000h	BankB	SA58	32	198000h
BankB	SA23	32	080000h	BankB	SA59	32	1A0000h
BankB	SA24	32	088000h	BankB	SA60	32	1A8000h
BankB	SA25	32	090000h	BankB	SA61	32	1B0000h
BankB	SA26	32	098000h	BankB	SA62	32	1B8000h
BankB	SA27	32	0A0000h	BankB	SA63	32	1C0000h
BankB	SA28	32	0A8000h	BankB	SA64	32	1C8000h
BankB	SA29	32	0B0000h	BankB	SA65	32	1D0000h
BankB	SA30	32	0B8000h	BankB	SA66	32	1D8000h
BankB	SA31	32	0C0000h	BankB	SA67	32	1E0000h
BankB	SA32	32	0C8000h	BankB	SA68	32	1E8000h
BankB	SA33	32	0D0000h	BankB	SA69	32	1F0000h
BankB	SA34	32	0D8000h	BankB	SA70	32	1F8000h
BankB	SA35	32	0E0000h	BankC	SA71	32	200000h

FLEXIBLE SECTOR-ERASE ARCHITECTURE ON FLASH MEMORY (Continued)

Bank	Sector			Bank	Sector		
Type	Address	K-Word	Address	Type	Address	K-Word	Address
BankC	SA72	32	208000h	BankC	SA107	32	320000h
BankC	SA73	32	210000h	BankC	SA108	32	328000h
BankC	SA74	32	218000h	BankC	SA109	32	330000h
BankC	SA75	32	220000h	BankC	SA110	32	338000h
BankC	SA76	32	228000h	BankC	SA111	32	340000h
BankC	SA77	32	230000h	BankC	SA112	32	348000h
BankC	SA78	32	238000h	BankC	SA113	32	350000h
BankC	SA79	32	240000h	BankC	SA114	32	358000h
BankC	SA80	32	248000h	BankC	SA115	32	360000h
BankC	SA81	32	250000h	BankC	SA116	32	368000h
BankC	SA82	32	258000h	BankC	SA117	32	370000h
BankC	SA83	32	260000h	BankC	SA118	32	378000h
BankC	SA84	32	268000h	BankD	SA119	32	380000h
BankC	SA85	32	270000h	BankD	SA120	32	388000h
BankC	SA86	32	278000h	BankD	SA121	32	390000h
BankC	SA87	32	280000h	BankD	SA122	32	398000h
BankC	SA88	32	288000h	BankD	SA123	32	3A0000h
BankC	SA89	32	290000h	BankD	SA124	32	3A8000h
BankC	SA90	32	298000h	BankD	SA125	32	3B0000h
BankC	SA91	32	2A0000h	BankD	SA126	32	3B8000h
BankC	SA92	32	2A8000h	BankD	SA127	32	3C0000h
BankC	SA93	32	2B0000h	BankD	SA128	32	3C8000h
BankC	SA94	32	2B8000h	BankD	SA129	32	3D0000h
BankC	SA95	32	2C0000h	BankD	SA130	32	3D8000h
BankC	SA96	32	2C8000h	BankD	SA131	32	3E0000h
BankC	SA97	32	2D0000h	BankD	SA132	32	3E8000h
BankC	SA98	32	2D8000h	BankD	SA133	32	3F0000h
BankC	SA99	32	2E0000h	BankD	SA134	4	3F8000h
BankC	SA100	32	2E8000h	BankD	SA135	4	3F9000h
BankC	SA101	32	2F0000h	BankD	SA136	4	3FA000h
BankC	SA102	32	2F8000h	BankD	SA137	4	3FB000h
BankC	SA103	32	300000h	BankD	SA138	4	3FC000h
BankC	SA104	32	308000h	BankD	SA139	4	3FD000h
BankC	SA105	32	310000h	BankD	SA140	4	3FE000h
BankC	SA106	32	318000h	BankD	SA141	4	3FF000h

FLEXBANK™ ARCHITECTURE TABLE

Bank 1			Bank 2	
Bank Split	Volume	Combination	Volume	Combination
1	8 Mbit	Bank A	56 Mbit	Bank B, C, D
2	24 Mbit	Bank B	40 Mbit	Bank A, C, D
3	24 Mbit	Bank C	40 Mbit	Bank A, B, D
4	8 Mbit	Bank D	56 Mbit	Bank A, B, C

EXAMPLE OF VIRTUAL BANKS COMBINATION TABLE

Bank 1				Bank 2		
Bank Split	Volume	Combination	Sector Size	Volume	Combination	Sector Size
1	8 Mbit	Bank A	8x4 Kword	56 Mbit	Bank B, C, D	8x4 Kword
			15x32 Kword			111x32 Kword
2	16 Mbit	Bank A,D	16x4 Kword	48 Mbit	Bank B,C	96x32 Kword
			30x32 Kword			
3	24 Mbit	Bank B	48x32 Kword	40 Mbit	Bank A, C, D	16x4 Kword
						78x32 Kword
4	32 Mbit	Bank A,B	8x4 Kword	32 Mbit	Bank C,D	8x4 Kword
			63x32 Kword			63x32 Kword

Notes:

1) When multiple sector erase over several banks is operated, the system cannot read out of the bank to which a sector being erased belongs. For example, if erasing is taking place at both Bank A and Bank B, neither Bank A nor Bank B is read out. They would output the sequence flag once they were selected. Meanwhile the system would get to read from either Bank C or Bank D.

SIMULTANEOUS OPERATION TABLE

Case	Bank 1 Status	Bank 2 Status
1	Read Mode	Read Mode
2	Read Mode	Autoselect Mode
3	Read Mode	Program Mode
4	Read Mode	Erase Mode ⁽¹⁾
5	Autoselect Mode	Read Mode
6	Program Mode	Read Mode
7	Erase Mode ⁽¹⁾	Read Mode

Note:

- 1) By writing erase suspend command on the bank address of sector being erased, the erase operation gets suspended so that it enables reading from or programming the remaining sectors.
- 2) Bank 1 and Bank 2 are divided for the sake of convenience at Simultaneous Operation. Actually, the Bank consists of 4 banks, Bank A, Bank B, Bank C and Bank D. Bank Address (BA) means to specify each of the Banks.

SECTOR ADDRESS TABLE

Bank	Sector	Bank Address			Sector Address							Address Range	
		A21	A20	A19	A18	A17	A16	A15	A14	A13	A12	Word Mode	
Bank A	SA0	0	0	0	0	0	0	0	0	0	0	000000h to 000FFFh	
Bank A	SA1	0	0	0	0	0	0	0	0	0	1	001000h to 001FFFh	
Bank A	SA2	0	0	0	0	0	0	0	0	1	0	002000h to 002FFFh	
Bank A	SA3	0	0	0	0	0	0	0	0	1	1	003000h to 003FFFh	
Bank A	SA4	0	0	0	0	0	0	0	1	0	0	004000h to 004FFFh	
Bank A	SA5	0	0	0	0	0	0	0	1	0	1	005000h to 005FFFh	
Bank A	SA6	0	0	0	0	0	0	0	1	1	0	006000h to 006FFFh	
Bank A	SA7	0	0	0	0	0	0	0	1	1	1	007000h to 007FFFh	
Bank A	SA8	0	0	0	0	0	0	1	X	X	X	008000h to 00FFFFh	
Bank A	SA9	0	0	0	0	0	1	0	X	X	X	010000h to 017FFFh	
Bank A	SA10	0	0	0	0	0	1	1	X	X	X	018000h to 01FFFFh	
Bank A	SA11	0	0	0	0	1	0	0	X	X	X	020000h to 027FFFh	
Bank A	SA12	0	0	0	0	1	0	1	X	X	X	028000h to 02FFFFh	
Bank A	SA13	0	0	0	0	1	1	0	X	X	X	030000h to 037FFFh	
Bank A	SA14	0	0	0	0	1	1	1	X	X	X	038000h to 03FFFFh	
Bank A	SA15	0	0	0	1	0	0	0	X	X	X	040000h to 047FFFh	
Bank A	SA16	0	0	0	1	0	0	1	X	X	X	048000h to 04FFFFh	
Bank A	SA17	0	0	0	1	0	1	0	X	X	X	050000h to 057FFFh	
Bank A	SA18	0	0	0	1	0	1	1	X	X	X	058000h to 05FFFFh	
Bank A	SA19	0	0	0	1	1	0	0	X	X	X	060000h to 067FFFh	
Bank A	SA20	0	0	0	1	1	0	1	X	X	X	068000h to 06FFFFh	
Bank A	SA21	0	0	0	1	1	1	0	X	X	X	070000h to 077FFFh	
Bank A	SA22	0	0	0	1	1	1	1	X	X	X	078000h to 07FFFFh	
Bank B	SA23	0	0	1	0	0	0	0	X	X	X	080000h to 087FFFh	
Bank B	SA24	0	0	1	0	0	0	1	X	X	X	088000h to 08FFFFh	
Bank B	SA25	0	0	1	0	0	1	0	X	X	X	090000h to 097FFFh	
Bank B	SA26	0	0	1	0	0	1	1	X	X	X	098000h to 09FFFFh	
Bank B	SA27	0	0	1	0	1	0	0	X	X	X	0A0000h to 0A7FFFh	
Bank B	SA28	0	0	1	0	1	0	1	X	X	X	0A8000h to 0AFFFFh	
Bank B	SA29	0	0	1	0	1	1	0	X	X	X	0B0000h to 0B7FFFh	
Bank B	SA30	0	0	1	0	1	1	1	X	X	X	0B8000h to 0BFFFFh	
Bank B	SA31	0	0	1	1	0	0	0	X	X	X	0C0000h to 0C7FFFh	
Bank B	SA32	0	0	1	1	0	0	1	X	X	X	0C8000h to 0CFFFFh	

SECTOR ADDRESS TABLE (Continued)

Bank	Sector	Bank Address			Sector Address							Address Range
		A21	A20	A19	A18	A17	A16	A15	A14	A13	A12	Word Mode
Bank B	SA33	0	0	1	1	0	1	0	X	X	X	0D0000h to 0D7FFFh
Bank B	SA34	0	0	1	1	0	1	1	X	X	X	0D8000h to 0DFFFFh
Bank B	SA35	0	0	1	1	1	0	0	X	X	X	0E0000h to 0E7FFFh
Bank B	SA36	0	0	1	1	1	0	1	X	X	X	0E8000h to 0EFFFFh
Bank B	SA37	0	0	1	1	1	1	0	X	X	X	0F0000h to 0F7FFFh
Bank B	SA38	0	0	1	1	1	1	1	X	X	X	0F8000h to 0FFFFh
Bank B	SA39	0	1	0	0	0	0	0	X	X	X	100000h to 107FFFh
Bank B	SA40	0	1	0	0	0	0	1	X	X	X	108000h to 10FFFFh
Bank B	SA41	0	1	0	0	0	1	0	X	X	X	110000h to 117FFFh
Bank B	SA42	0	1	0	0	0	1	1	X	X	X	118000h to 11FFFFh
Bank B	SA43	0	1	0	0	1	0	0	X	X	X	120000h to 127FFFh
Bank B	SA44	0	1	0	0	1	0	1	X	X	X	128000h to 12FFFFh
Bank B	SA45	0	1	0	0	1	1	0	X	X	X	130000h to 137FFFh
Bank B	SA46	0	1	0	0	1	1	1	X	X	X	138000h to 13FFFFh
Bank B	SA47	0	1	0	1	0	0	0	X	X	X	140000h to 147FFFh
Bank B	SA48	0	1	0	1	0	0	1	X	X	X	148000h to 14FFFFh
Bank B	SA49	0	1	0	1	0	1	0	X	X	X	150000h to 157FFFh
Bank B	SA50	0	1	0	1	0	1	1	X	X	X	158000h to 15FFFFh
Bank B	SA51	0	1	0	1	1	0	0	X	X	X	160000h to 167FFFh
Bank B	SA52	0	1	0	1	1	0	1	X	X	X	168000h to 16FFFFh
Bank B	SA53	0	1	0	1	1	1	0	X	X	X	170000h to 177FFFh
Bank B	SA54	0	1	0	1	1	1	1	X	X	X	178000h to 17FFFFh
Bank B	SA55	0	1	1	0	0	0	0	X	X	X	180000h to 187FFFh
Bank B	SA56	0	1	1	0	0	0	1	X	X	X	188000h to 18FFFFh
Bank B	SA57	0	1	1	0	0	1	0	X	X	X	190000h to 197FFFh
Bank B	SA58	0	1	1	0	0	1	1	X	X	X	198000h to 19FFFFh
Bank B	SA59	0	1	1	0	1	0	0	X	X	X	1A0000h to 1A7FFFh
Bank B	SA60	0	1	1	0	1	0	1	X	X	X	1A8000h to 1AFFFFh
Bank B	SA61	0	1	1	0	1	1	0	X	X	X	1B0000h to 1B7FFFh
Bank B	SA62	0	1	1	0	1	1	1	X	X	X	1B8000h to 1BFFFFh
Bank B	SA63	0	1	1	1	0	0	0	X	X	X	1C0000h to 1C7FFFh
Bank B	SA64	0	1	1	1	0	0	1	X	X	X	1C8000h to 1CFFFFh
Bank B	SA65	0	1	1	1	0	1	0	X	X	X	1D0000h to 1D7FFFh

SECTOR ADDRESS TABLE (Continued)

Bank	Sector	Bank Address			Sector Address							Address Range	
		A21	A20	A19	A18	A17	A16	A15	A14	A13	A12	Word Mode	
Bank B	SA66	0	1	1	1	0	1	1	X	X	X	1D8000h to 1DFFFFh	
Bank B	SA67	0	1	1	1	1	0	0	X	X	X	1E0000h to 1E7FFFh	
Bank B	SA68	0	1	1	1	1	0	1	X	X	X	1E8000h to 1EFFFFh	
Bank B	SA69	0	1	1	1	1	1	0	X	X	X	1F0000h to 1F7FFFh	
Bank B	SA70	0	1	1	1	1	1	1	X	X	X	1F8000h to 1FFFFFh	
Bank C	SA71	1	0	0	0	0	0	0	X	X	X	200000h to 207FFFh	
Bank C	SA72	1	0	0	0	0	0	1	X	X	X	208000h to 20FFFFh	
Bank C	SA73	1	0	0	0	0	1	0	X	X	X	210000h to 217FFFh	
Bank C	SA74	1	0	0	0	0	1	1	X	X	X	218000h to 21FFFFh	
Bank C	SA75	1	0	0	0	1	0	0	X	X	X	220000h to 227FFFh	
Bank C	SA76	1	0	0	0	1	0	1	X	X	X	228000h to 22FFFFh	
Bank C	SA77	1	0	0	0	1	1	0	X	X	X	230000h to 237FFFh	
Bank C	SA78	1	0	0	0	1	1	1	X	X	X	238000h to 23FFFFh	
Bank C	SA79	1	0	0	1	0	0	0	X	X	X	240000h to 247FFFh	
Bank C	SA80	1	0	0	1	0	0	1	X	X	X	248000h to 24FFFFh	
Bank C	SA81	1	0	0	1	0	1	0	X	X	X	250000h to 257FFFh	
Bank C	SA82	1	0	0	1	0	1	1	X	X	X	258000h to 25FFFFh	
Bank C	SA83	1	0	0	1	1	0	0	X	X	X	260000h to 267FFFh	
Bank C	SA84	1	0	0	1	1	0	1	X	X	X	268000h to 26FFFFh	
Bank C	SA85	1	0	0	1	1	1	0	X	X	X	270000h to 277FFFh	
Bank C	SA86	1	0	0	1	1	1	1	X	X	X	278000h to 27FFFFh	
Bank C	SA87	1	0	1	0	0	0	0	X	X	X	280000h to 287FFFh	
Bank C	SA88	1	0	1	0	0	0	1	X	X	X	288000h to 28FFFFh	
Bank C	SA89	1	0	1	0	0	1	0	X	X	X	290000h to 297FFFh	
Bank C	SA90	1	0	1	0	0	1	1	X	X	X	298000h to 29FFFFh	
Bank C	SA91	1	0	1	0	1	0	0	X	X	X	2A0000h to 2A7FFFh	
Bank C	SA92	1	0	1	0	1	0	1	X	X	X	2A8000h to 2AFFFFh	
Bank C	SA93	1	0	1	0	1	1	0	X	X	X	2B0000h to 2B7FFFh	
Bank C	SA94	1	0	1	0	1	1	1	X	X	X	2B8000h to 2BFFFFh	
Bank C	SA95	1	0	1	1	0	0	0	X	X	X	2C0000h to 2C7FFFh	
Bank C	SA96	1	0	1	1	0	0	1	X	X	X	2C8000h to 2CFFFFh	
Bank C	SA97	1	0	1	1	0	1	0	X	X	X	2D0000h to 2D7FFFh	
Bank C	SA98	1	0	1	1	0	1	1	X	X	X	2D8000h to 2DFFFFh	
Bank C	SA99	1	0	1	1	1	0	0	X	X	X	2E0000h to 2E7FFFh	

SECTOR ADDRESS TABLE (Continued)

Bank	Sector	Bank Address			Sector Address							Address Range	
		A21	A20	A19	A18	A17	A16	A15	A14	A13	A12	Word	Mode
Bank C	SA100	1	0	1	1	1	0	1	X	X	X	2E8000h	to 2EFFFFh
Bank C	SA101	1	0	1	1	1	1	0	X	X	X	2F0000h	to 2F7FFFh
Bank C	SA102	1	0	1	1	1	1	1	X	X	X	2F8000h	to 2FFFFFFh
Bank C	SA103	1	1	0	0	0	0	0	X	X	X	300000h	to 307FFFh
Bank C	SA104	1	1	0	0	0	0	1	X	X	X	308000h	to 30FFFFh
Bank C	SA105	1	1	0	0	0	1	0	X	X	X	310000h	to 317FFFh
Bank C	SA106	1	1	0	0	0	1	1	X	X	X	318000h	to 31FFFFh
Bank C	SA107	1	1	0	0	1	0	0	X	X	X	320000h	to 327FFFh
Bank C	SA108	1	1	0	0	1	0	1	X	X	X	328000h	to 32FFFFh
Bank C	SA109	1	1	0	0	1	1	0	X	X	X	330000h	to 337FFFh
Bank C	SA110	1	1	0	0	1	1	1	X	X	X	338000h	to 33FFFFh
Bank C	SA111	1	1	0	1	0	0	0	X	X	X	340000h	to 347FFFh
Bank C	SA112	1	1	0	1	0	0	1	X	X	X	348000h	to 34FFFFh
Bank C	SA113	1	1	0	1	0	1	0	X	X	X	350000h	to 357FFFh
Bank C	SA114	1	1	0	1	0	1	1	X	X	X	358000h	to 35FFFFh
Bank C	SA115	1	1	0	1	1	0	0	X	X	X	360000h	to 367FFFh
Bank C	SA116	1	1	0	1	1	0	1	X	X	X	368000h	to 36FFFFh
Bank C	SA117	1	1	0	1	1	1	0	X	X	X	370000h	to 377FFFh
Bank C	SA118	1	1	0	1	1	1	1	X	X	X	378000h	to 37FFFFh
Bank D	SA119	1	1	1	0	0	0	0	X	X	X	380000h	to 387FFFh
Bank D	SA120	1	1	1	0	0	0	1	X	X	X	388000h	to 38FFFFh
Bank D	SA121	1	1	1	0	0	1	0	X	X	X	390000h	to 397FFFh
Bank D	SA122	1	1	1	0	0	1	1	X	X	X	398000h	to 39FFFFh
Bank D	SA123	1	1	1	0	1	0	0	X	X	X	3A0000h	to 3A7FFFh
Bank D	SA124	1	1	1	0	1	0	1	X	X	X	3A8000h	to 3AFFFFh
Bank D	SA125	1	1	1	0	1	1	0	X	X	X	3B0000h	to 3B7FFFh
Bank D	SA126	1	1	1	0	1	1	1	X	X	X	3B8000h	to 3BFFFFh
Bank D	SA127	1	1	1	1	0	0	0	X	X	X	3C0000h	to 3C7FFFh
Bank D	SA128	1	1	1	1	0	0	1	X	X	X	3C8000h	to 3CFFFFh
Bank D	SA129	1	1	1	1	0	1	0	X	X	X	3D0000h	to 3D7FFFh
Bank D	SA130	1	1	1	1	0	1	1	X	X	X	3D8000h	to 3DFFFFh
Bank D	SA131	1	1	1	1	1	0	0	X	X	X	3E0000h	to 3E7FFFh
Bank D	SA132	1	1	1	1	1	0	1	X	X	X	3E8000h	to 3EFFFFh
Bank D	SA133	1	1	1	1	1	1	0	X	X	X	3F0000h	to 3F7FFFh
Bank D	SA134	1	1	1	1	1	1	1	0	0	0	3F8000h	to 3F8FFFh
Bank D	SA135	1	1	1	1	1	1	1	0	0	1	3F9000h	to 3F9FFFh
Bank D	SA136	1	1	1	1	1	1	1	0	1	0	3FA000h	to 3FAFFFh
Bank D	SA137	1	1	1	1	1	1	1	0	1	1	3FB000h	to 3FBFFFh
Bank D	SA138	1	1	1	1	1	1	1	1	0	0	3FC000h	to 3FCFFFh
Bank D	SA139	1	1	1	1	1	1	1	1	0	1	3FD000h	to 3FDFFFh
Bank D	SA140	1	1	1	1	1	1	1	1	1	0	3FE000h	to 3FEFFFh
Bank D	SA141	1	1	1	1	1	1	1	1	1	1	3FF000h	to 3FFFFFFh

SECTOR ADDRESS GROUP TABLE

Sector	A21	A20	A19	A18	A17	A16	A15	A14	A13	A12	Sectors
SGA0	0	0	0	0	0	0	0	0	0	0	SA0
SGA1	0	0	0	0	0	0	0	0	0	1	SA1
SGA2	0	0	0	0	0	0	0	0	1	0	SA2
SGA3	0	0	0	0	0	0	0	0	1	1	SA3
SGA4	0	0	0	0	0	0	0	1	0	0	SA4
SGA5	0	0	0	0	0	0	0	1	0	1	SA5
SGA6	0	0	0	0	0	0	0	1	1	0	SA6
SGA7	0	0	0	0	0	0	0	1	1	1	SA7
						0	1				
SGA8	0	0	0	0	0	1	0	X	X	X	SA8 to SA10
						1	1				
SGA9	0	0	0	0	1	X	X	X	X	X	SA11 to SA14
SGA10	0	0	0	1	0	X	X	X	X	X	SA15 to SA18
SGA11	0	0	0	1	1	X	X	X	X	X	SA19 to SA22
SGA12	0	0	1	0	0	X	X	X	X	X	SA23 to SA26
SGA13	0	0	1	0	1	X	X	X	X	X	SA27 to SA30
SGA14	0	0	1	1	0	X	X	X	X	X	SA31 to SA34
SGA15	0	0	1	1	1	X	X	X	X	X	SA35 to SA38
SGA16	0	1	0	0	0	X	X	X	X	X	SA39 to SA42
SGA17	0	1	0	0	1	X	X	X	X	X	SA43 to SA46
SGA18	0	1	0	1	0	X	X	X	X	X	SA47 to SA50
SGA19	0	1	0	1	1	X	X	X	X	X	SA51 to SA54
SGA20	0	1	1	0	0	X	X	X	X	X	SA55 to SA58
SGA21	0	1	1	0	1	X	X	X	X	X	SA59 to SA62
SGA22	0	1	1	1	0	X	X	X	X	X	SA63 to SA66
SGA23	0	1	1	1	1	X	X	X	X	X	SA67 to SA70
SGA24	1	0	0	0	0	X	X	X	X	X	SA71 to SA74
SGA25	1	0	0	0	1	X	X	X	X	X	SA75 to SA78
SGA26	1	0	0	1	0	X	X	X	X	X	SA79 to SA82
SGA27	1	0	0	1	1	X	X	X	X	X	SA83 to SA86
SGA28	1	0	1	0	0	X	X	X	X	X	SA87 to SA90
SGA29	1	0	1	0	1	X	X	X	X	X	SA91 to SA94
SGA30	1	0	1	1	0	X	X	X	X	X	SA95 to SA98
SGA31	1	0	1	1	1	X	X	X	X	X	SA99 to SA102
SGA32	1	1	0	0	0	X	X	X	X	X	SA103 to SA106

SECTOR ADDRESS GROUP TABLE (Continued)

Sector	A21	A20	A19	A18	A17	A16	A15	A14	A13	A12	Sectors
SGA33	1	1	0	0	1	X	X	X	X	X	SA107 to SA110
SGA34	1	1	0	1	0	X	X	X	X	X	SA111 to SA114
SGA35	1	1	0	1	1	X	X	X	X	X	SA115 to SA118
SGA36	1	1	1	0	0	X	X	X	X	X	SA119 to SA122
SGA37	1	1	1	0	1	X	X	X	X	X	SA123 to SA126
SGA38	1	1	1	1	0	X	X	X	X	X	SA127 to SA130
SGA39	1	1	1	1	1	0	1	X	X	X	SA131 to SA133
						0	0				
						1	0				
SGA40	1	1	1	1	1	1	1	0	0	0	SA134
SGA41	1	1	1	1	1	1	1	0	0	1	SA135
SGA42	1	1	1	1	1	1	1	0	1	0	SA136
SGA43	1	1	1	1	1	1	1	0	1	1	SA137
SGA44	1	1	1	1	1	1	1	1	0	0	SA138
SGA45	1	1	1	1	1	1	1	1	0	1	SA139
SGA46	1	1	1	1	1	1	1	1	1	0	SA140
SGA47	1	1	1	1	1	1	1	1	1	1	SA141

FLASH MEMORY AUTOSELECT CODES TABLE

Type	A21 to A12	A6	A3	A2	A1	A0	Code (HEX)
Manufacturer's Code	BA	L	L	L	L	L	04h
Device Code	BA	L	L	L	L	H	227Eh
Extended Device Code ⁽²⁾	BA	L	H	H	H	H	2201h
Sector Group Protection	Sector Group Address	L	L	L	H	L	01h ⁽¹⁾

Legend: L = VIL, H = VIH. See "n DC CHARACTERISTICS" for voltage levels.

Notes:

1. Outputs 01h at protected sector group addresses and outputs 00h at unprotected sector group addresses.
2. A read cycle at address (BA) 01h outputs device code. When 227Eh was output, this indicates that there will require two additional codes, called Extended Device Codes. Therefore the system may continue reading out these Extended Device Codes at the address of (BA) 0Eh, as well as at (BA) 0Fh.

FLASH MEMORY COMMAND DEFINITIONS

Command Sequence	Bus Write Cycle Req'd	First Bus Cycle		Second Bus Write Cycle		Third Bus Write Cycle		Fourth Bus Read/Write		Fifth Bus Cycle		Sixth Bus Cycle	
		Addr.	Data	Addr.	Data	Addr.	Data	Addr.	Data	Addr.	Data	Addr.	Data
Read / Reset (1)	1	XXXh	F0h	—	—	—	—	—	—	—	—	—	—
Read / Reset (1)	3	555h	AAh	2AAh	55h	555h	F0h	RA	RD	—	—	—	—
Autoselect	3	555h	AAh	2AAh	55h	(BA) 555h	90h	—	—	—	—	—	—
Program	4	555h	B0h	2AAh	55h	555h	A0h	PA	PD	—	—	—	—
Program Suspend	1	BA	30h	—	—	—	—	—	—	—	—	—	—
Program Resume	1	BA	AAh	—	—	—	—	—	—	—	—	—	—
Chip Erase	6	555h	AAh	2AAh	55h	555h	80h	555h	AAh	2AAh	55h	555h	10h
Sector Erase	6	555h	B0h	2AAh	55h	555h	80h	555h	AAh	2AAh	55h	SA	30h
Erase Suspend	1	BA	B0h	—	—	—	—	—	—	—	—	—	—
Erase Resume	1	BA	30h	—	—	—	—	—	—	—	—	—	—
Extended Sector Group Protection (3)	4	XXXh	60h	SPA	60h	SPA	40h	SPA	SD	—	—	—	—
Set to Fast Mode (2)	3	555h	AAh	2AAh	55h	555h	20h	—	—	—	—	—	—
Flash Program (2)	2	XXXh	A0h	PA	PD	—	—	—	—	—	—	—	—
Reset from Flash Mode (2)	2	BA	90h	XXXh	(6) F0H	—	—	—	—	—	—	—	—
Query (4)	1	(BA) 55h	98h	—	—	—	—	—	—	—	—	—	—
Hi-ROM Entry	3	555h	AAh	2AAh	55h	555h	88h	—	—	—	—	—	—
Hi-ROM Program (5)	4	555h	AAh	2AAh	55h	555h	A0h	(HRA) PA	PD	—	—	—	—
Hi-ROM Exit (5)	4	555h	AAh	2AAh	55h	(HRBA) 555h	90h	XXXh	00h	—	—	—	—

Notes:

- Both Read/Reset commands are functionally equivalent, resetting the device to the read mode.
- This command is valid during Fast Mode.
- This command is valid while $\overline{\text{RESET}} = V_{\text{ID}}$
- The valid address is A6 to A0.
- This command is valid during Hi-ROM mode.
- The data "00h" is also acceptable.

FLASH MEMORY COMMAND DEFINITIONS (Continued)**Notes:**

Address bits A21 to A11 = X = "H" or "L" for all address commands except Program Address (PA), Sector Address (SA), and Bank Address (BA), and Sector Group Address (SPA).

Bus operations are defined in "DEVICE BUS OPERATIONS".

RA = Address of the memory location to be read

PA = Address of the memory location to be programmed

Addresses are latched on the falling edge of the write pulse.

SA = Address of the sector to be erased. The combination of A21, A20, A19, A18, A17, A16, A15, A14, A13, and A12 will uniquely select any sector.

BA = Bank Address (A21, A20, A19)

RD = Data read from location RA during read operation.

PD = Data to be programmed at location PA. Data is latched on the rising edge of write pulse.

SPA = Sector group address to be protected.

Set sector group address and (A6, A3, A2, A1, A0) = (0, 0, 0, 1, 0).

SD = Sector group protection verify data. Output 01h at protected sector group addresses and output 00h at unprotected sector group addresses.

HRA = Address of the Hi-ROM area : 000000h to 00007Fh

HRBA = Bank Address of the Hi-ROM area (A21 = A20 = A19 = VIL)

The system should generate the following address

patterns : 555h or 2AAh to addresses A10 to A0

Both Read/Reset commands are functionally equivalent, resetting the device to the read mode.

Command combinations not described in "Flash Memory Command Definitions" are illegal.

ABSOLUTE MAXIMUM RATINGS

Symbol	Parameter	Rating		Unit
		Min.	Max.	
Tstg	Storage Temperature	-55	+125	°C
T _A	Ambient Temperature with Power Applied	-30	+85	°C
V _{IN}	Voltage with Respect to Ground All Pins ^(1,2)	-0.3	V _{ccf} + 0.3	V
V _{OUT}	Voltage with Respect to Ground All Pins ^(1,2)	-0.3	V _{ccr} + 0.3	V
V _{ccf}	V _{ccf} Supply ⁽¹⁾	-0.2	+3.6	V
V _{ccr}	V _{ccr} Supply ^(1,3)	-0.2	+3.6	V
V _{IN}	$\overline{\text{RESET}}$ ^(1,3)	-0.5	+13.0	V
V _{ACC}	$\overline{\text{WP/ACC}}$ ^(1,4)	-0.5	+10.5	V

Notes:

- Voltage is defined on the basis of GND = GND = 0 V.
- Minimum DC voltage on input or I/O pins is -0.3 V. During voltage transitions, input or I/O pins may undershoot GND to -1.0 V for periods of up to 20 ns. Maximum DC voltage on input or I/O pins is V_{ccf} + 0.3 V or V_{ccr} + 0.3 V. During voltage transitions, input or I/O pins may overshoot to V_{ccf} + 1.0 V or V_{ccr} + 1.0 V for periods of up to 5 ns.
- Minimum DC input voltage on RESET pin is -0.5 V. During voltage transitions, RESET pin may undershoot GND to -2.0 V for periods of up to 20 ns.
Voltage difference between input and supply voltage (V_{IN}-V_{ccf} or V_{ccr}) does not exceed 9.0 V.
Maximum DC input voltage on RESET pin is +13.0 V that may overshoot to +14.0 V for periods of up to 20 ns.
- Minimum DC input voltage on WP/ACC pin is -0.5 V. During voltage transitions, WP/ACC pin may undershoot GND to -2.0 V for periods of up to 20 ns. Maximum DC input voltage on WP/ACC pin is +10.5 V which may overshoot to +10.5 V for periods of up to 20 ns, when V_{ccf} is applied.
- Stress greater than those listed under ABSOLUTE MAXIMUM RATINGS may cause permanent damage to the device. This is a stress rating only and functional operation of the device at these or any other conditions above those indicated in the operational sections of this specification is not implied. Exposure to absolute maximum rating conditions for extended periods may affect reliability.

RECOMMENDED OPERATING CONDITIONS

Symbol	Parameter	Rating		Unit
		Min.	Max.	
T _A	Ambient Temperature	-30	+85	°C
V _{ccf}	V _{ccf} Supply Voltages	-2.7	+3.1	V
V _{ccr}	V _{ccr} Supply Voltages	-2.7	+3.1	V

Note:

Voltage is defined on the basis of GND = GND = 0 V.

DC CHARACTERISTICS

Symbol	Parameter	Test Conditions	Min.	Typ.	Max.	Unit	
I _{LI}	Input Leakage	V _{IN} =GND to V _{ccf} , V _{ccr}	-1.0	—	+1.0	μA	
I _{LO}	Output Leakage	V _{OUT} =GND to V _{ccf} , V _{ccr}	-1.0	—	+1.0	μA	
I _{LIT}	RESET Inputs Leakage Current	V _{ccf} =V _{ccf} max., RESET = 12.5V	—	—	35	μA	
I _{cc1f}	FLASH V _{cc} (1) Active Current (Read)	CEf=V _{IL} , OE=V _{IH}	tCycle = 5Mhz	—	—	18	mA
			tCycle = 1Mhz	—	—	4	mA
I _{cc2f}	FLASH V _{cc} Active(2) Current(Program/Erase)	CEf=V _{IL} , OE=V _{IH}	—	—	35	mA	
I _{cc3f}	FLASH V _{cc} Active(5) Current (Read-While-Program)	CEf=V _{IL} , OE=V _{IH}	—	—	53	mA	
I _{cc4f}	FLASH V _{cc} Active(5) Current (Read-While-Erase)	CEf=V _{IL} , OE=V _{IH}	—	—	53	mA	
I _{cc5f}	FLASH V _{cc} Active Current (Erase-Suspend-Program)	CEf=V _{IL} , OE=V _{IH}	—	—	40	mA	
I _{ACC}	WP/ACC Acceleration Program Current	V _{ccf} = V _{cc} max, WP/ACC = V _{ACC} max	—	—	20	mA	
I _{cc1r}	PSRAM V _{cc} Active Current	V _{ccr} = V _{ccr} max, CE1r=V _{IL} , CE2r=V _{IH} , V _{IN} =V _{IH} or V _{IL} , I _{OUT} =0 mA	trc / twc = min	—	15	20	mA
			trc / twc = 1 μs	—	2.5	3.0	mA
I _{SB1f}	FLASH V _{cc} Standby Current	V _{ccf} = V _{ccf} max, CEf= V _{ccf} ± 0.3V, RESET = V _{ccf} ± 0.3V, WP/ACC = V _{ccf} ± 0.3V	—	1	5	μA	
I _{SB2f}	FLASH V _{cc} Standby Current (RESET)	V _{ccf} = V _{ccf} max, RESET= GND ± 0.3V, WP/ACC = V _{ccf} ± 0.3V	—	1	5	μA	
I _{SB3f}	FLASH V _{cc} (3) Current (Automatic Sleep Mode)	V _{ccf} = V _{cc} max., CEf, = GND ± 0.3V, RESET = V _{ccf} ± 0.3V, WP/ACC = V _{ccf} ± 0.3V, V _{IN} = V _{ccf} ± 0.3V OR GND ± 0.3V	—	1	5	μA	
I _{SBr}	PSRAM V _{cc} Standby Current	V _{ccr} = V _{ccr} max, CE1r = CE2r = V _{IN} , V _{IN} =V _{IH} or V _{IL} , I _{OUT} =0 mA	—	0.5	1	mA	
I _{SB1r}	PSRAM V _{cc} Standby Current	V _{ccr} = V _{ccr} max, CE1r ≥ V _{ccr} -0.2V, CE2r ≥ V _{ccr} -0.2V, V _{IN} ≤ 0.2 V or V _{IN} ≥ V _{ccr} -0.2V I _{OUT} =0 mA	—	—	70	μA	
I _{SB2r}	PSRAM V _{cc} Standby Current(6)	V _{ccr} = V _{ccr} max, CE1r ≥ V _{ccr} -0.2V, CE2r ≥ V _{ccr} -0.2V, V _{IN} Cycle time = trc min, I _{OUT} = 0 mA	—	—	5	mA	

DC CHARACTERISTICS (Continued)

Symbol	Parameter	Test Conditions	Min.	Max.	Unit
I_{PDF}	PSRAM V_{CC} Power Down Current	$V_{CCr} = V_{CCr \text{ max.}}$, $V_{IN} \geq V_{CCf} - 0.2 \text{ V}$ OR $V_{IN} \leq 0.2 \text{ V}$ $CE2r \leq 0.2 \text{ V}$, $I_{OUT} = 0 \text{ mA}$	—	10	μA
V_{IL}	Input Low Level		-0.3	0.5	V
V_{IH}	Input High Level (Flash)		2.0	$V_{CCf} \pm 0.3$	V
V_{IH}	Input High Level (PSRAM)		2.2	$V_{CCr} \pm 0.3$	V
V_{ID}	Voltage for Autoselect and Sector Protection ($\overline{\text{RESET}}$) ⁽⁴⁾		11.5	12.5	V
V_{ACC}	Voltage for $\overline{\text{WP/ACC}}$ Sector Protection/Unprotection and Program Acceleration ⁽⁴⁾		8.5	9.5	V
V_{OL}	Output Low Level (PSRAM)	$V_{CCr} = V_{CCr \text{ min.}}$, $V_{CCS} = V_{CCS \text{ min.}}$ $I_{OL} = 1.0 \text{ mA}$	—	0.4	V
V_{OH}	Output High Level (PSRAM)	$V_{CCr} = V_{CCr \text{ min.}}$, $V_{CCS} = V_{CCS \text{ min.}}$ $I_{OH} = -0.5 \text{ mA}$	2.2	—	V
V_{OL}	Output Low Level (Flash)	$V_{CCf} = V_{CCf \text{ min.}}$, $V_{CCS} = V_{CCS \text{ min.}}$ $I_{OL} = 4.0 \text{ mA}$	—	0.45	V
V_{OH}	Output High Level (Flash)	$V_{CCf} = V_{CCf \text{ min.}}$, $V_{CCS} = V_{CCS \text{ min.}}$ $I_{OH} = -0.1 \text{ mA}$	$V_{CCf} - 0.4$	—	V
V_{LKO}	Flash Low V_{CCf} Lock-Out Voltage		2.3	2.5	V

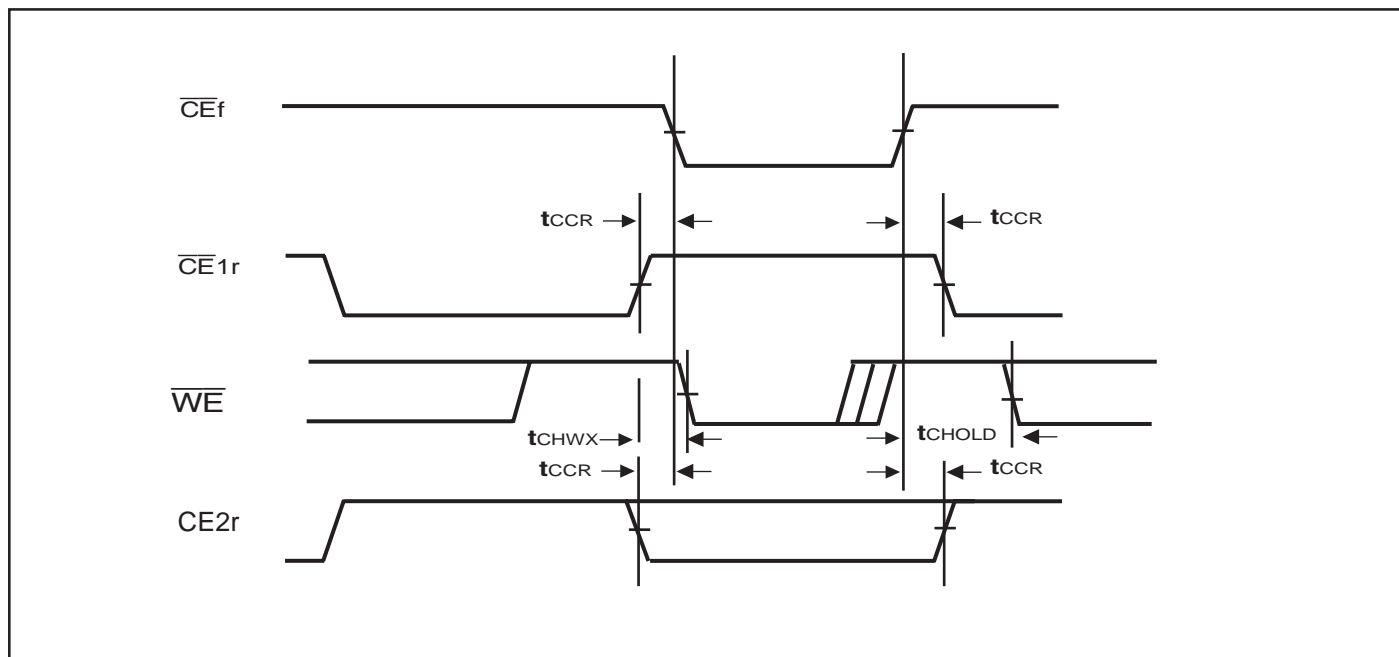
Notes:

1. ICC current listed includes both the DC operating current and the frequency dependent component.
2. ICC active while Embedded Algorithm (program or erase) is in progress.
3. Automatic sleep mode enables the low power mode when address remains stable for 150 ns.
4. Applicable for only V_{CCf} applying.
5. Embedded Algorithm (program or erase) is in progress. (@5 MHz)
6. $ISB2r$ depends on V_{IN} cycle time. Please refer to "APPENDIX A".

AC CHARACTERISTICS - \overline{CE} TIMING

Parameter	Symbol	Condition	Min	Max	Unit
\overline{CE} f Recover Time	t _{CCR}	—	0	—	ns
\overline{CE} f Hold Time	t _{CHOLD}	—	3	—	ns
\overline{CE} 1r High to \overline{WE} Invalid time for Standby Entry	t _{CHWX}	—	20	—	ns

TIMING DIAGRAM FOR ALTERNATING PSRAM TO FLASH



FLASH READ ONLY OPERATIONS CHARACTERISTICS

Parameter	JEDEC Symbol	Standard Symbol	Condition	Min	Max	Unit
Read Cycle Time	t _{AVAV}	t _{RC}		70	—	ns
Address to Output Delay	t _{AVQV}	t _{ACC}	$\overline{CE}f = V_{IL}, \overline{OE} = V_{IL}$	—	70	ns
Chip Enable to Output Delay	t _{ELQV}	t _{CE}	$\overline{OE} = V_{IL}$	—	70	ns
Output Enable to Output Delay	t _{GLQV}	t _{OE}		—	30	ns
Chip Enable to Output High-Z	t _{EHQZ}	t _{DF}		—	25	ns
Output Enable to Output High-Z	t _{GHQZ}	t _{DF}		—	25	ns
Output Hold Time From Addresses, $\overline{CE}f$ or \overline{OE} , Whichever Occures First	t _{AXQX}	t _{OH}		0	—	ns
\overline{RESET} Pin Low to Read Mode	—	t _{READY}		—	20	μs

Test Conditions:

Output Load : 1 TTL gate and 30 pF

Input rise and fall times : 5 ns

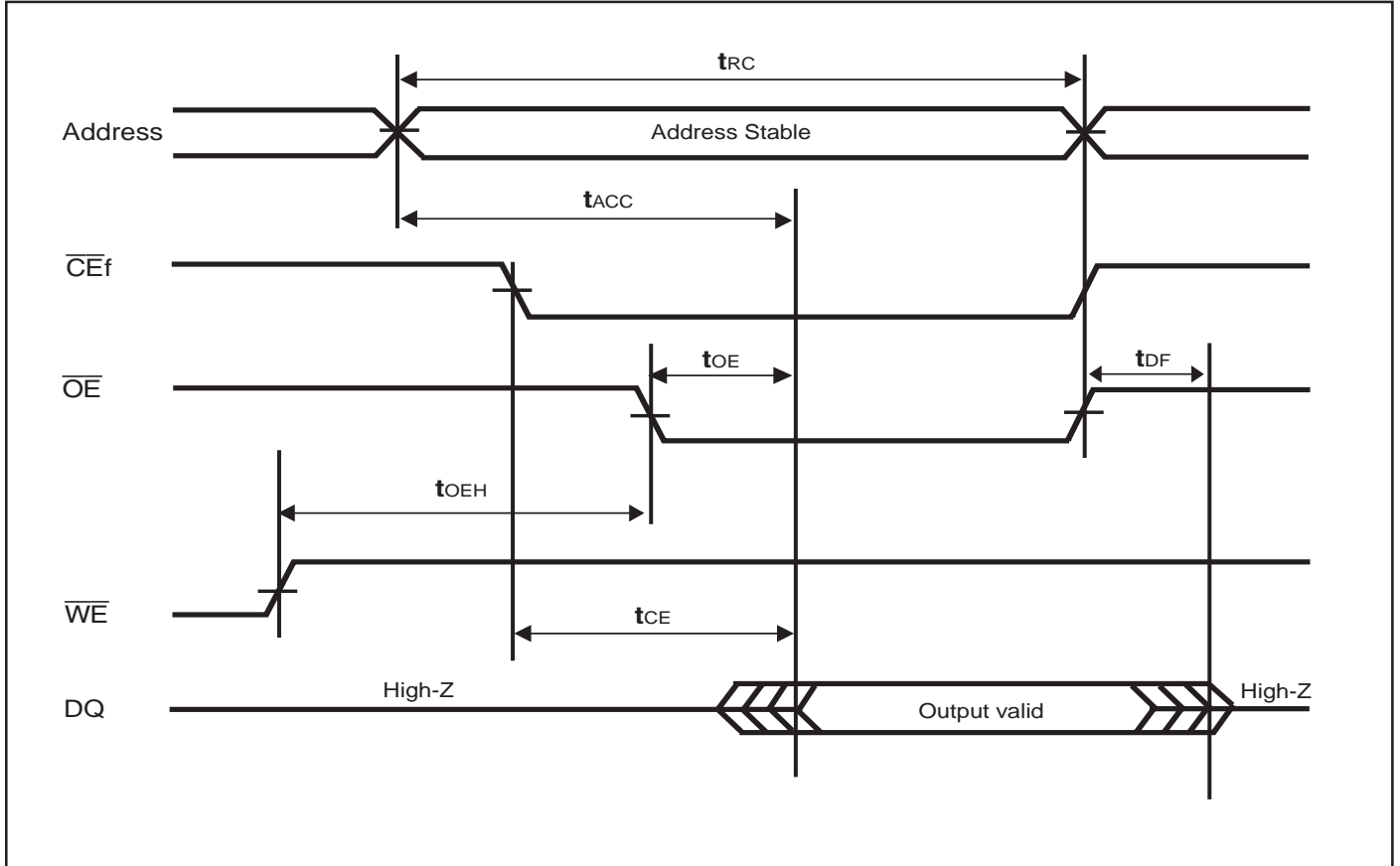
Input pulse levels : 0.0 V or VCCf

Timing measurement reference level

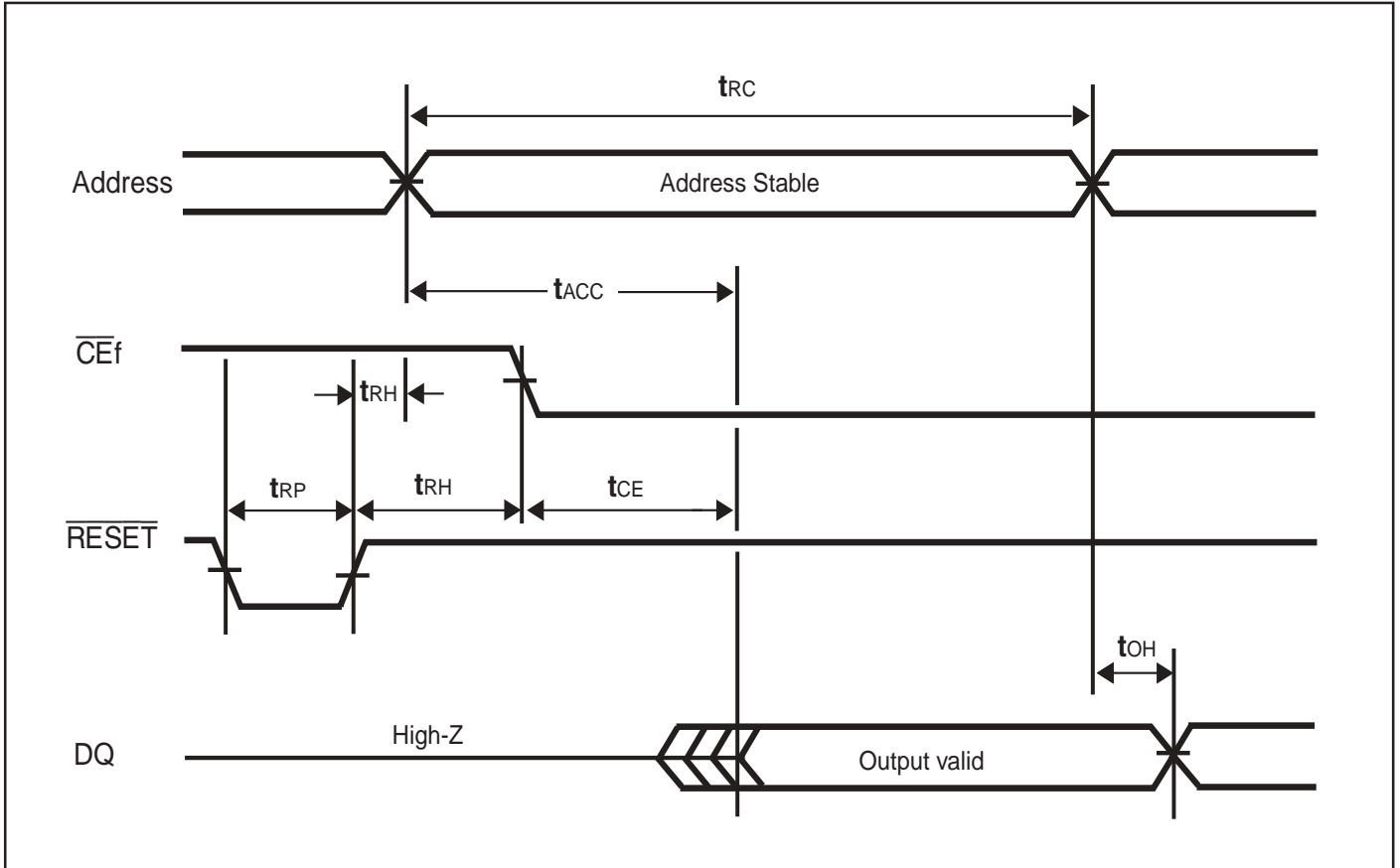
Input : VCCf/2

Output : VCCf/2

FLASH READ CYCLE



FLASH HARDWARE $\overline{\text{RESET}}$ / READ OPERATION TIMING DIAGRAM



WRITE/ERASE/PROGRAM OPERATIONS

Parameter	JEDEC Symbol	Standard Symbol	Min	Typ	Max	Unit
Write Cycle Time	tAVAV	tWC	70	—	—	ns
Address Setup Time	tAVWL	tAS	0	—	—	ns
Address Setup Time to \overline{OE} Low During Toggle Bit Polling	—	tASO	12	—	—	ns
Address Hold Time	twLAX	tAH	45	—	—	ns
Address Hold Time from \overline{CE} or \overline{OE} High During Toggle Bit Polling	—	tAHT	0	—	—	ns
Data Setup Time	tdVWH	tDS	30	—	—	ns
Data Hold Time	twHDX	tDH	0	—	—	ns
Output Enable Hold Time Read	—	toEH	0	—	—	ns
Output Enable Hold Time Toggle and \overline{Data} Polling	—	toEH	10	—	—	ns
\overline{CE} High During Toggle Bit Polling	—	tCEPH	20	—	—	ns
\overline{OE} High During Toggle Bit Polling	—	toEPH	20	—	—	ns
Read Recover Time Before Write (\overline{OE} to \overline{CE})	tGHWL	tGHWL	0	—	—	ns
Read Recover Time Before Write (\overline{OE} to \overline{WE})	tGHEL	tGHEL	0	—	—	ns
WE Setup Time (CE_f to WE)	teLWL	tWS	0	—	—	ns
\overline{CE} Setup Time (WE to CE)	twLEL	tCS	0	—	—	ns
\overline{WE} Hold Time (CE to WE)	twHEH	tWH	0	—	—	ns
\overline{CE} Hold Time (WE to CE)	teHWH	tCH	0	—	—	ns
Write Pulse Width	twLWH	twPH	35	—	—	ns
\overline{CE}_f Pulse Width	teLEH	tCP	35	—	—	ns
Write Pulse Width High	twHWL	twPH	25	—	—	ns
\overline{CE} Pulse Width High	teHEL	tCPH	25	—	—	ns
Programming Operation	twHWH1	twHWH1	—	10	—	μ s
Sector Erase Operation ⁽¹⁾	twHWH2	twHWH2	—	0.2	—	s
V _{CC} Setup Time	—	tvCS	50	—	—	μ s
Rise Time to V _{ID} ⁽²⁾	—	tVIDR	500	—	—	ns
Rise Time to V _{ID} ⁽³⁾	—	tvACCR	500	—	—	ns
Voltage Transition Time ⁽²⁾	—	tvLHT	4	—	—	μ s
Write Pulse width ⁽²⁾	—	twPP	100	—	—	μ s

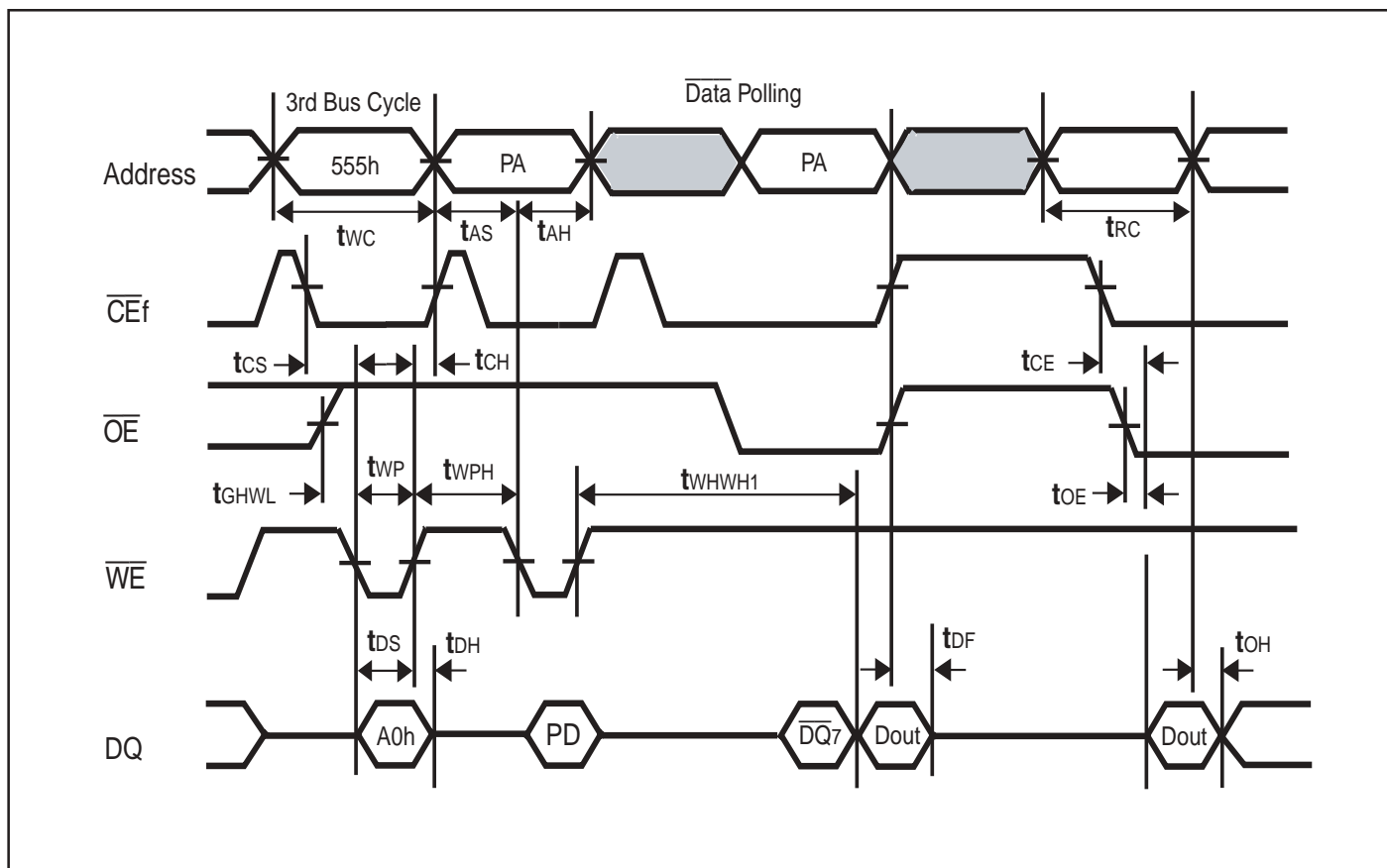
WRITE/ERASE/PROGRAM OPERATIONS (Continued)

Parameter	JEDEC Symbol	Standard Symbol	Min	Typ	Max	Unit
\overline{OE} Setup Time to \overline{WE} Active ⁽²⁾	—	tOESP	4	—	—	μs
\overline{CE} Setup Time to \overline{WE} Active ⁽²⁾	—	tCSP	4	—	—	μs
Recover Time from RY/ \overline{BY}	—	tRB	0	—	—	ns
\overline{RESET} Pulse Width	—	tRP	500	—	—	ns
\overline{RESET} High Level Period Before Read	—	tRH	200	—	—	ns
Program/Erase Valid to RY/ \overline{BY} Delay	—	tBUSY	—	—	90	ns
Delay Time from Embedded Output Enable	—	tEOE	—	—	70	ns
Erase Time-Out Time	—	tTOW	50	—	—	μs
Erase Suspend Transition Time	—	tSPD	—	—	20	μs

Notes:

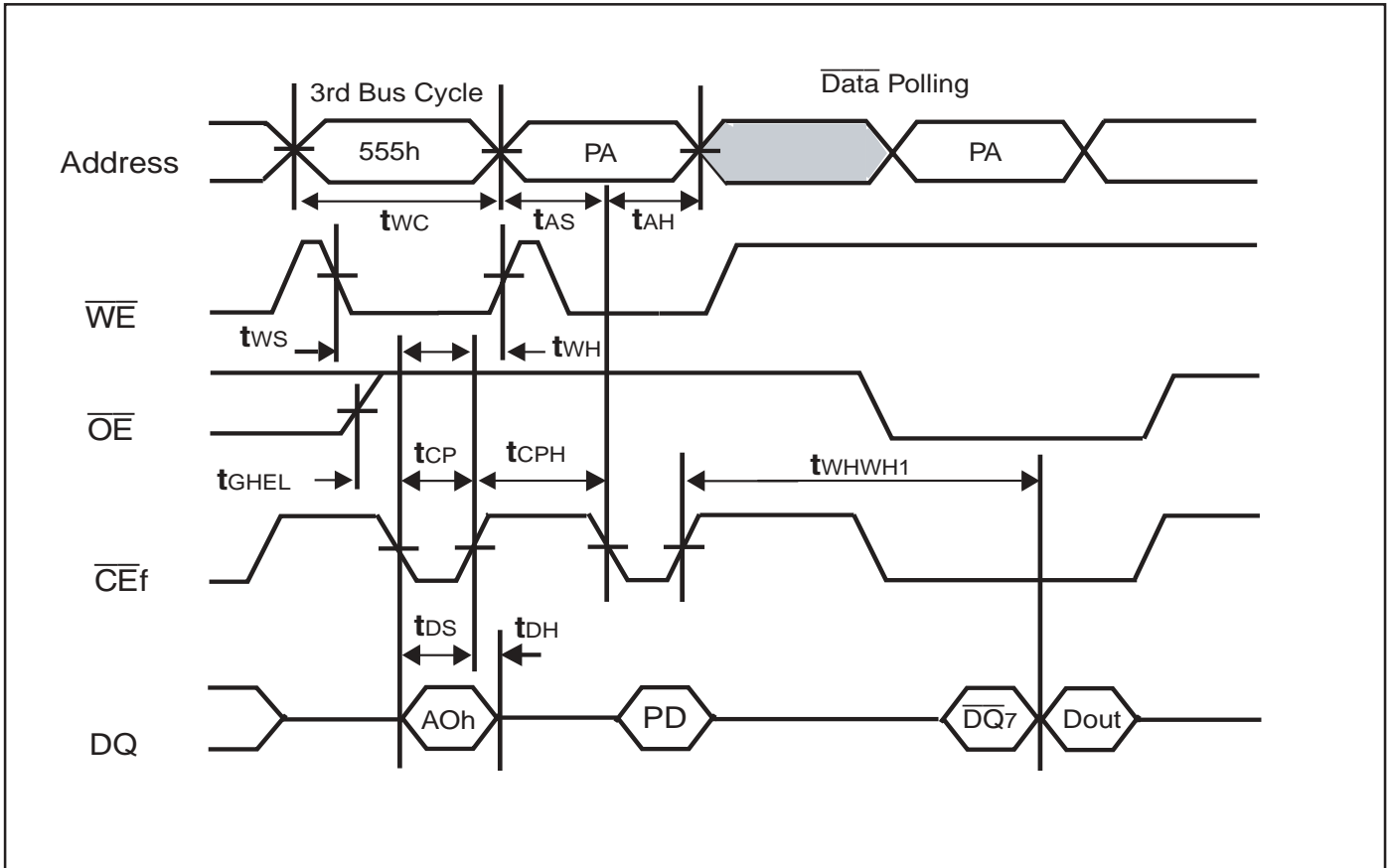
1. Does not include preprogramming time.
2. For Sector Group Protection operation.
3. For Accelerated Program operation.

FLASH WRITE CYCLE (\overline{WE} CONTROL)



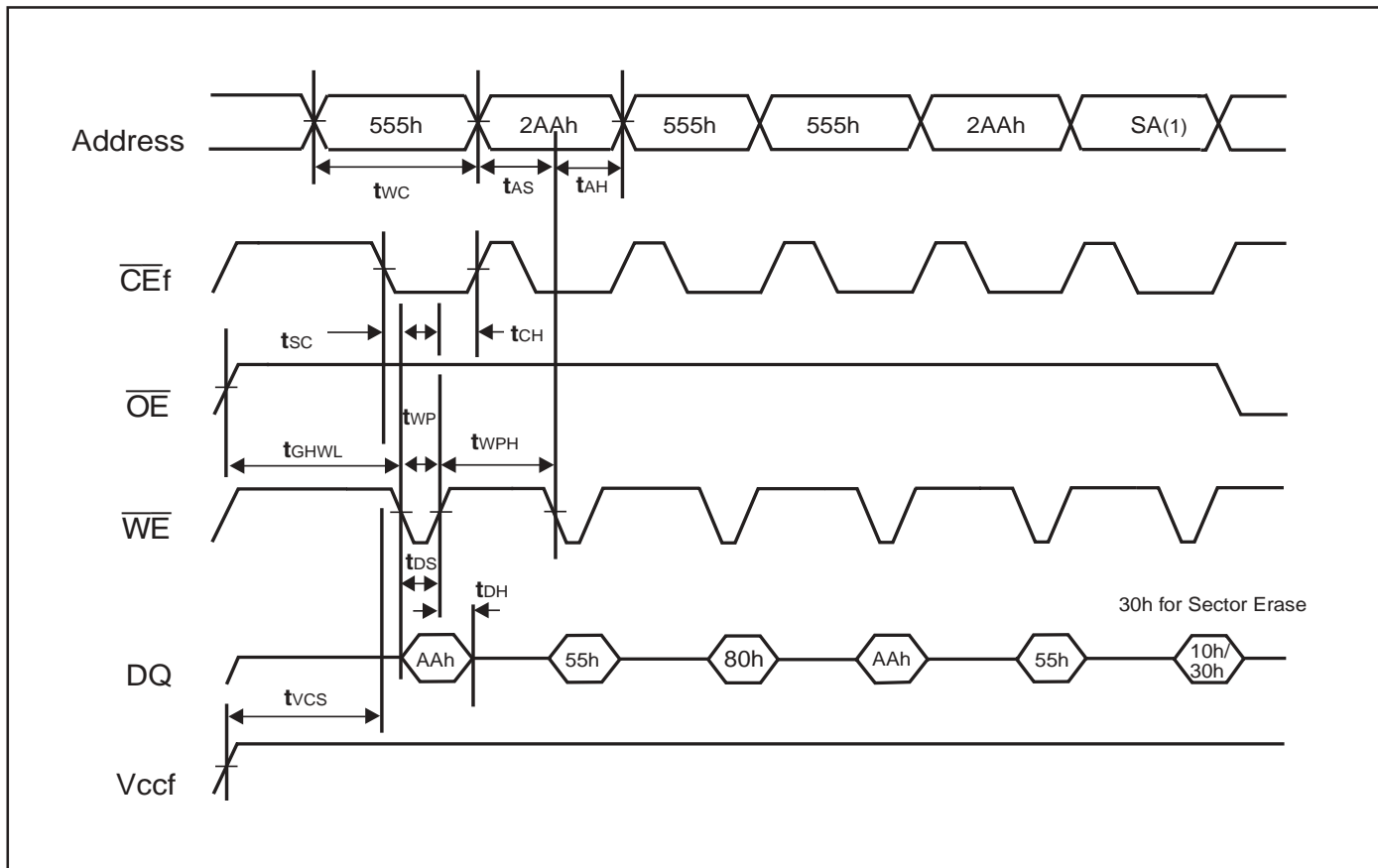
Notes:

1. PA is address of the memory location to be programmed.
2. PD is data to be programmed at byte address.
3. DQ7 is the output of the complement of the data written to the device.
4. DOUT is the output of the data written to the device.
5. Figure indicates last two bus cycles out of four bus cycle sequence.

FLASH WRITE CYCLE**($\overline{\text{CEf}}$ CONTROL)****Notes:**

1. PA is address of the memory location to be programmed.
2. PD is data to be programmed at byte address.
3. $\overline{\text{DQ7}}$ is the output of the complement of the data written to the device.
4. DOUT is the output of the data written to the device.
5. Figure indicates last two bus cycles out of four bus cycle sequence.

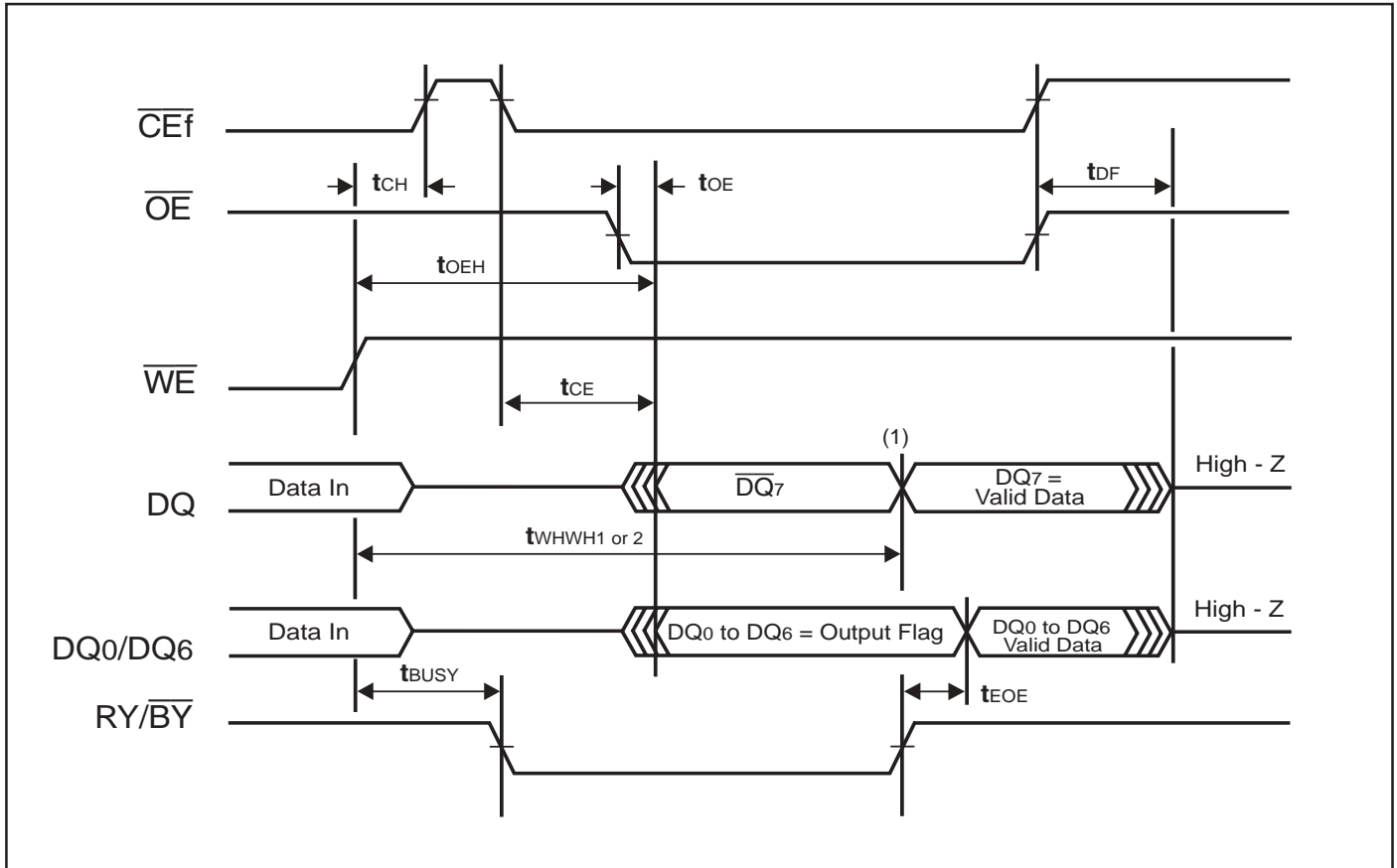
FLASH AC WAVEFORMS CHIP/SECTOR ERASE OPERATIONS



Notes:

1. SA is the sector address for Sector Erase. Address = 555h for Chip Erase.

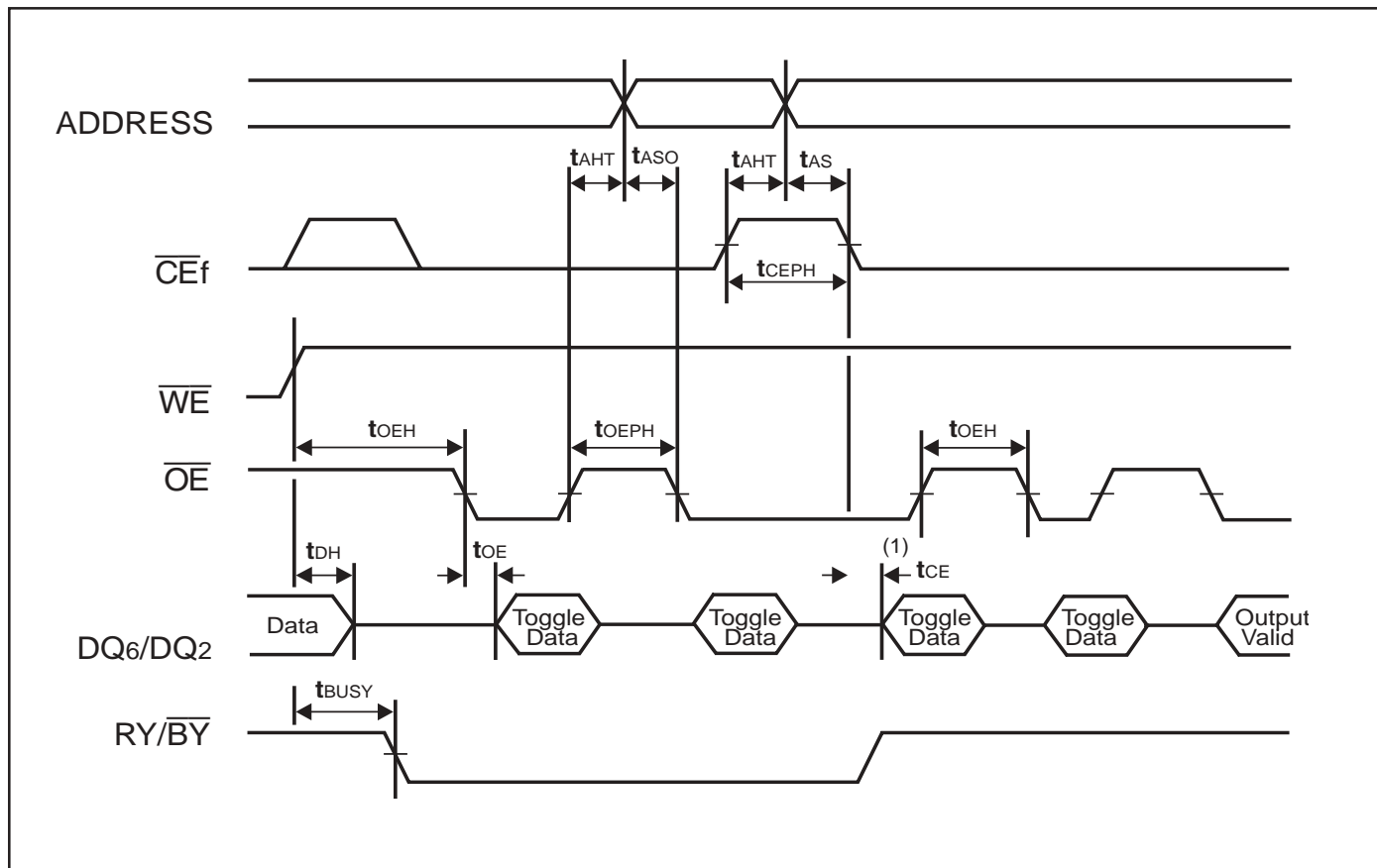
FLASH AC WAVEFORMS FOR $\overline{\text{DATA}}$ POLLING DURING EMBEDDED ALGORITHM OPERATIONS



Notes:

1. $\overline{\text{DQ}}_7$ = Valid Data (the device has completed the Embedded operation.)

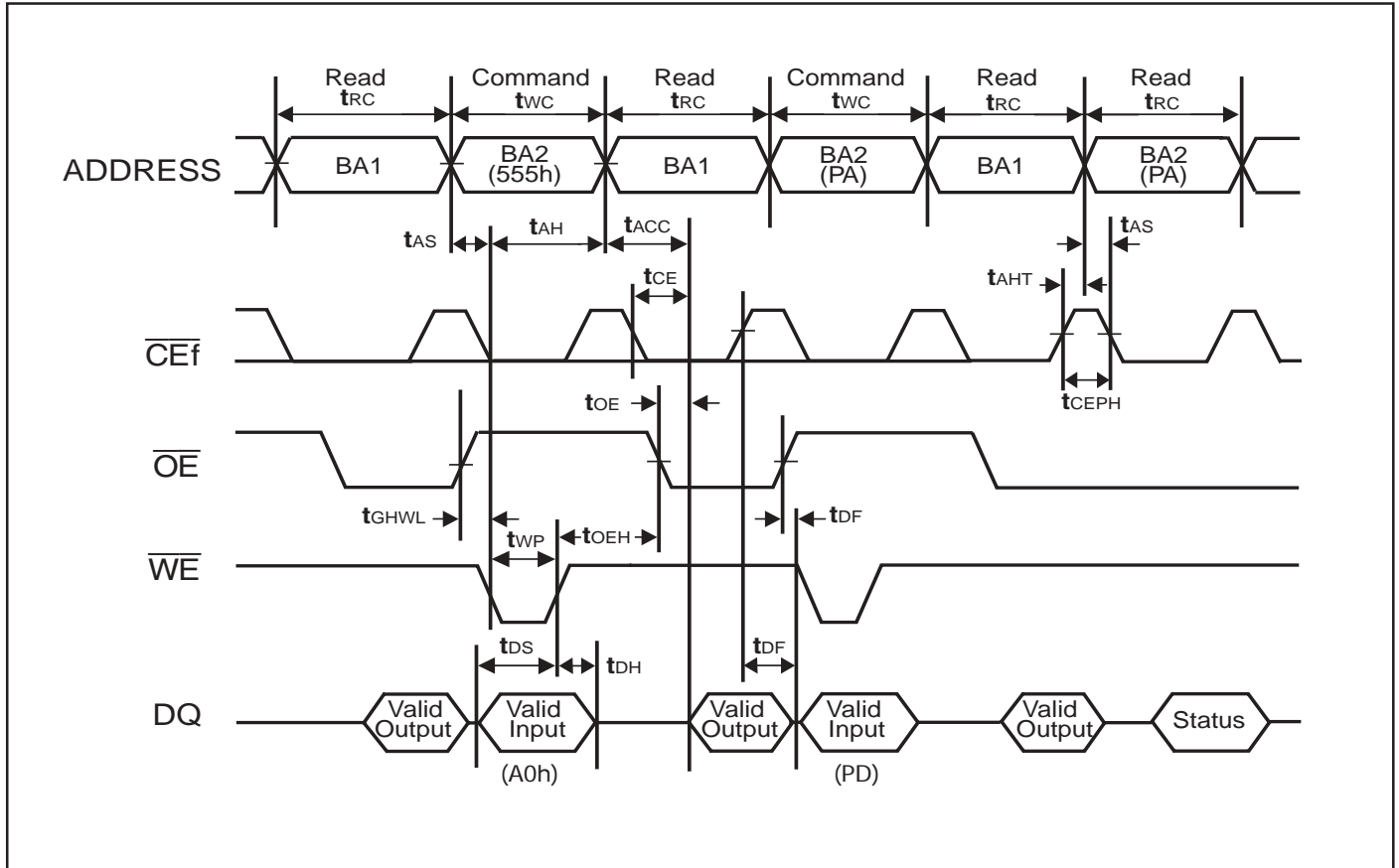
**FLASH AC WAVEFORMS
FOR TOGGLE BIT DURING EMBEDDED ALGORITHM OPERATIONS**



Notes:

1. DQ6 stops toggling (the device has completed the Embedded operation).

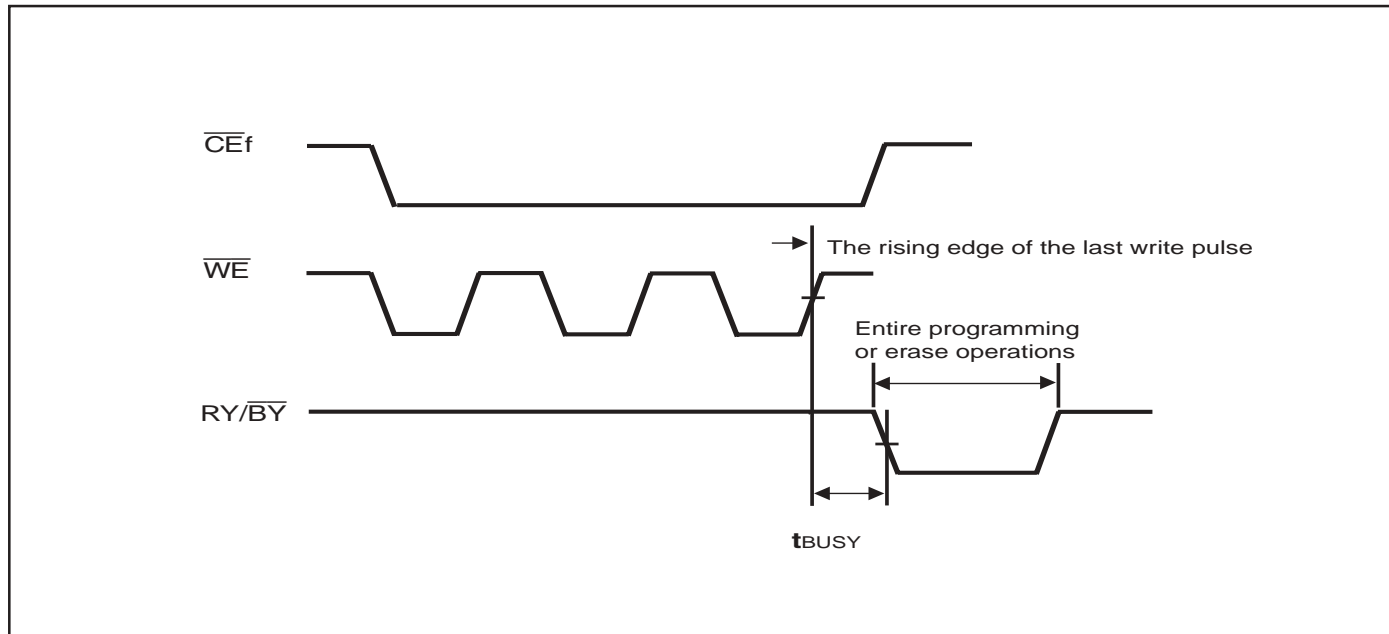
FLASH BACK-to-BACK READ/WRITE TIMING DIAGRAM



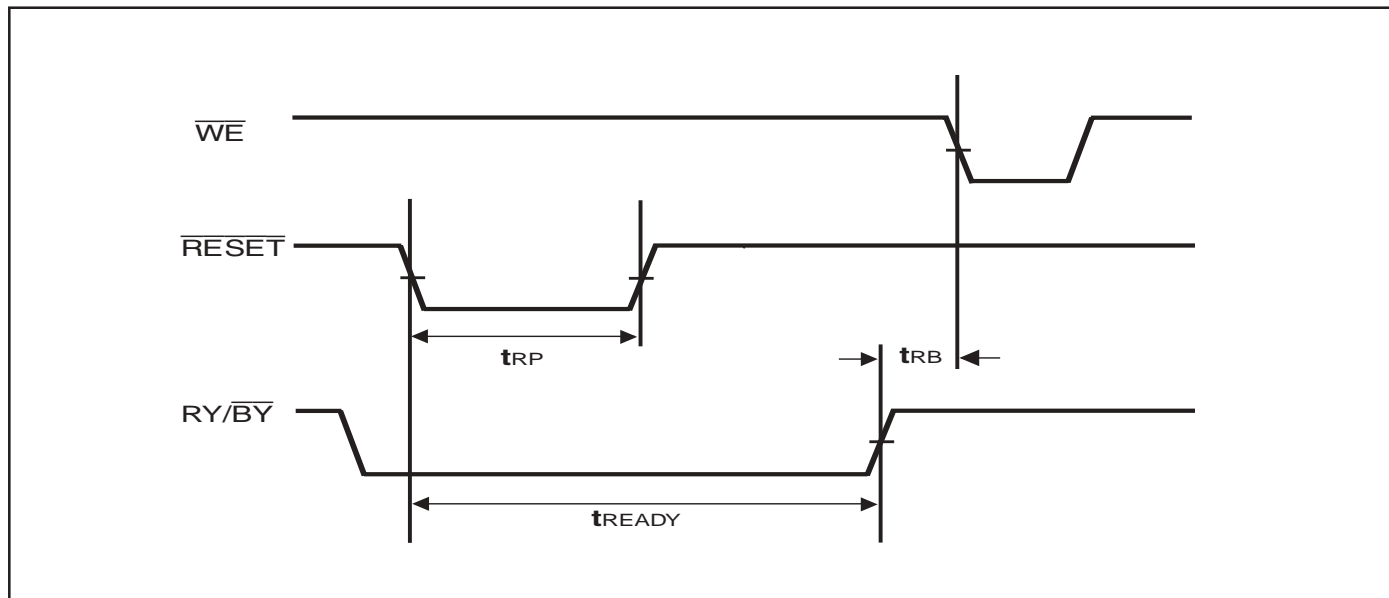
Note:

1. This is example of Read for Bank 1 and Embedded Algorithm (program) for Bank 2. BA1: Address of Bank 1; BA2: Address of Bank 2.

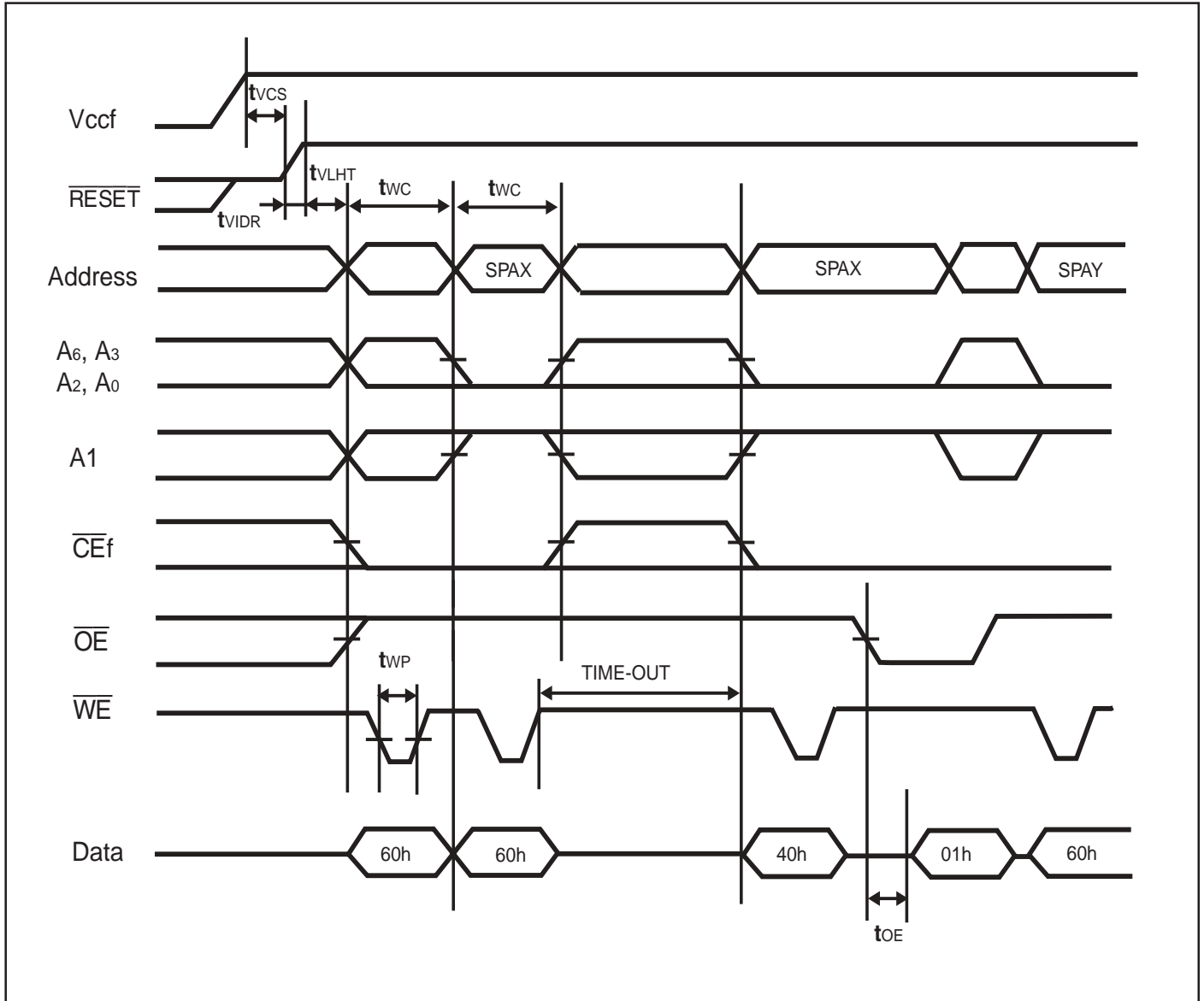
FLASH RY/ $\overline{\text{BY}}$ TIMING DIAGRAM DURING WRITE/ERASE OPERATIONS



FLASH $\overline{\text{RESET}}$, $\text{RY}/\overline{\text{BY}}$ TIMING DIAGRAM



FLASH EXTENDED SECTOR GROUP PROTECTION



Notes:

1. SPAX : Sector Group Address to be protected, SPAY : Next Group Sector Address to be protected, TIME-OUT: Time-Out window = 250 μs (Min)

PSRAM READ OPERATIONS

Parameter	Symbol	Value		Unit
		Min.	Max.	
Read Cycle Time	t _{RC}	90	—	ns
Chip Enable Access Time ^(1,3)	t _{CE}	—	80	ns
Output Enable Access Time ⁽¹⁾	t _{OE}	—	45	ns
Chip Enable Access Time ^(1,4)	t _{AA}	—	80	ns
Output Data Hold Time ⁽¹⁾	t _{OH}	5	—	ns
$\overline{\text{CE}}1\text{r}$ Low to Output Low-Z ⁽²⁾	t _{CLZ}	5	—	ns
$\overline{\text{OE}}$ Low to Output Low-Z ⁽²⁾	t _{OLZ}	0	—	ns
$\overline{\text{CE}}1\text{r}$ High to Output High-Z ⁽²⁾	t _{CHZ}	—	30	ns
$\overline{\text{OE}}$ High to Output High-Z ⁽²⁾	t _{OHZ}	—	25	ns
Address Setup Time to $\overline{\text{CE}}1\text{r}$ Low ⁽⁵⁾	t _{ASC}	-5	—	ns
Address Setup Time to $\overline{\text{OE}}$ ^(3,6)	t _{ASO}	45	—	ns
Address Setup Time to $\overline{\text{OE}}$ ⁽⁷⁾	t _{ASO(ABS)}	10	—	ns
Address Invalid Time ⁽⁴⁾	t _{AX}	—	5	ns
$\overline{\text{CE}}1\text{r}$ Low to Address Hold Time ⁽⁴⁾	t _{CLAH}	90	—	ns
$\overline{\text{OE}}$ Low to Address Hold Time ^(4,8)	t _{OLAH}	45	—	ns
$\overline{\text{CE}}1\text{r}$ High to Address Hold Time	t _{CHAH}	-5	—	ns
$\overline{\text{OE}}$ High to Address Hold Time	t _{OHAH}	-5	—	ns
$\overline{\text{CE}}1\text{r}$ Low to $\overline{\text{OE}}$ Low DelayTime ^(4,6,8,9)	t _{CLOL}	45	1000	ns
$\overline{\text{OE}}$ Low to $\overline{\text{CE}}1\text{r}$ High DelayTime ⁽⁸⁾	t _{OLCH}	45	—	ns
$\overline{\text{CE}}1\text{r}$ High Pulse Width	t _{CP}	20	—	ns
$\overline{\text{OE}}$ High Pulse Width ^(6,8,9)	t _{OP}	45	1000	ns
$\overline{\text{OE}}$ High Pulse Width ⁽⁷⁾	t _{OP(ABS)}	20	—	ns

Notes:

- The output load is 30 pF.
- The output load is 5 pF.
- The t_{CE} is applicable if $\overline{\text{OE}}$ is brought to Low before $\overline{\text{CE}}1\text{r}$ goes Low and is also applicable if actual value of both or either t_{ASO} or t_{CLOL} is shorter than specified value.
- Applicable only to A0 and A1 when both $\overline{\text{CE}}1\text{r}$ and $\overline{\text{OE}}$ are kept at Low for the address access.
- Applicable if $\overline{\text{OE}}$ is brought to Low before $\overline{\text{CE}}1\text{r}$ goes Low.
- The t_{ASO}, t_{CLOL} (Min) and t_{op} (Min) are reference values when the access time is determined by t_{OE}.
If actual value of each parameter is shorter than specified minimum value, t_{OE} becomes longer by the amount of subtracting actual value from specified minimum value.
For example, if actual t_{ASO}, t_{ASO} (actual), is shorter than specified minimum value, t_{ASO} (Min), during $\overline{\text{OE}}$ control access (i.e., $\overline{\text{CE}}1\text{r}$ stays Low), the t_{OE} becomes t_{OE} (Max) + t_{ASO} (Min) - t_{ASO} (actual).
- The t_{ASO[ABS]} and t_{OP[ABS]} are the absolute minimum values during $\overline{\text{OE}}$ control access.
- If actual value of either t_{CLOL} or t_{OP} is shorter than specified minimum value, both t_{OLAH} and t_{OLCH} become t_{RC} (Min) - t_{CLOL} (actual) or t_{RC} (Min) - t_{OP} (actual).
- Maximum value is applicable if $\overline{\text{CE}}1\text{r}$ is kept at Low.

PSRAM WRTE OPERATIONS

Parameter	Symbol	Value		Unit
		Min.	Max.	
Write Cycle Time ⁽¹⁾	tWC	90	—	ns
Address Setup Time ⁽²⁾	tAS	0	—	ns
Address Setup Time _{ev}	tAH	45	—	ns
$\overline{\text{CE}}1\text{r}$ Write Setup Time	tCS	0	1000	ns
$\overline{\text{CE}}1\text{r}$ Write Hold Time	tCH	0	1000	ns
$\overline{\text{WE}}$ Setup Time	tWS	0	—	ns
$\overline{\text{WE}}$ Hold Time	tWH	0	—	ns
$\overline{\text{LB}}$ adnd $\overline{\text{UB}}$ Setup Time	tBS	0	—	ns
$\overline{\text{LB}}$ adnd $\overline{\text{UB}}$ Hold Time	tBH	-5	—	ns
$\overline{\text{OE}}$ Setup Time ⁽³⁾	tOES	0	1000	ns
$\overline{\text{OE}}$ Hold Time ^(3,4)	tOEH	45	1000	ns
$\overline{\text{OE}}$ Hold Time ⁽⁵⁾	tOEH[ABS]	20	—	ns
$\overline{\text{OE}}$ High to $\overline{\text{CE}}1\text{r}$ Low Setup Time ⁽⁶⁾	tOHCL	-3	—	ns
$\overline{\text{OE}}$ High to Address Hold Time ⁽⁷⁾	tOHAH	-5	—	ns
$\overline{\text{CE}}1\text{r}$ Write Pulse Width ^(1,8)	tCW	60	—	ns
$\overline{\text{WE}}$ Write Pulse Width ^(1,8)	tWP	60	—	ns
$\overline{\text{CE}}1\text{r}$ Write Recovery Time ^(1,9)	tWRC	15	—	ns
$\overline{\text{WE}}$ Write Recovery Time ^(1,3,9)	tWR	15	1000	ns
Data Setup Time	tDS	20	—	ns
Data Hold Time	tDH	0	—	ns
$\overline{\text{CE}}1\text{r}$ High Pulse Width ⁽⁹⁾	tCD	20	—	ns

Notes:

1. Minimum value must be equal or greater than the sum of actual tCW (or tWP) and tWRC (or tWR) .
2. New write address is valid from either $\overline{\text{CE}}1\text{r}$ or $\overline{\text{WE}}$ that is brought to High.
3. Maximum value is applicable if $\overline{\text{CE}}1\text{r}$ is kept at Low and both $\overline{\text{WE}}$ and $\overline{\text{OE}}$ are kept at High.
4. The tOEH is specified from end of tWC (Min) , and is a reference value when access time is determined by tOE. If actual value is shorter than specified minimum value, tOE becomes longer by the amount of subtracting actual value from specified minimum value.
5. The tOEH[ABS] is the absolute minimum value if write cycle is terminated by $\overline{\text{WE}}$ and $\overline{\text{CE}}1\text{r}$ stay Low.
6. tOHCL (Min) must be satisfied if read operation is not performed prior to write operation. In case $\overline{\text{OE}}$ is disabled after tOHCL (Min) , $\overline{\text{WE}}$ Low must be asserted after tRC (Min) from $\overline{\text{CE}}1\text{r}$ Low. In other words, read operation is initiated if tOHCL (Min) is not satisfied.
7. Applicable if $\overline{\text{CE}}1\text{r}$ stays Low after read operation.
8. tCW and tWP are applicable if write operation is initiated by $\overline{\text{CE}}1\text{r}$ and $\overline{\text{WE}}$, respectively.
9. tWRC and tWR are applicable if write operation is terminated by $\overline{\text{CE}}1\text{r}$ and $\overline{\text{WE}}$, respectively. The tWR (Min) can be ignored if $\overline{\text{CE}}1\text{r}$ is brought to High together or after $\overline{\text{WE}}$ is brought to High. In such a case, the tCP (Min) must be satisfied.

PSRAM POWER DOWN PARAMETER

Parameter	Symbol	Value		Unit
		Min.	Max.	
CE2r Low Setup Time for Power down Entry	tCSP	10	—	ns
CE2r Low Setup Time after Power down Entry	tC2LP	100	—	ns
$\overline{CE}1r$ High Hold Time Following CE2r High after Power down Exit	tCHH	350	—	μ s
$\overline{CE}1r$ High Setup Time Following CE2r High after Power down Exit	tCHS	10	—	ns

PSRAM OTHER TIMING PARAMETERS

Parameter	Symbol	Value		Unit
		Min.	Max.	
$\overline{CE}1r$ High to \overline{OE} Invalid for Standby Entry	tCHOX	20	—	ns
$\overline{CE}1r$ High to \overline{WE} Invalid for Standby Entry ⁽¹⁾	tCHWX	20	—	ns
CE2r Low Hold Time after Power-up ⁽²⁾	tC2LH	50	—	μ s
CE2r High Hold Time after Power-up ⁽³⁾	tC2HL	50	—	μ s
$\overline{CE}1r$ High Hold Time Following CE2r High after Power-up ⁽²⁾	tCHH	350	—	μ s
Input Transition Time ⁽⁴⁾	t _r	1	25	ns

Notes:

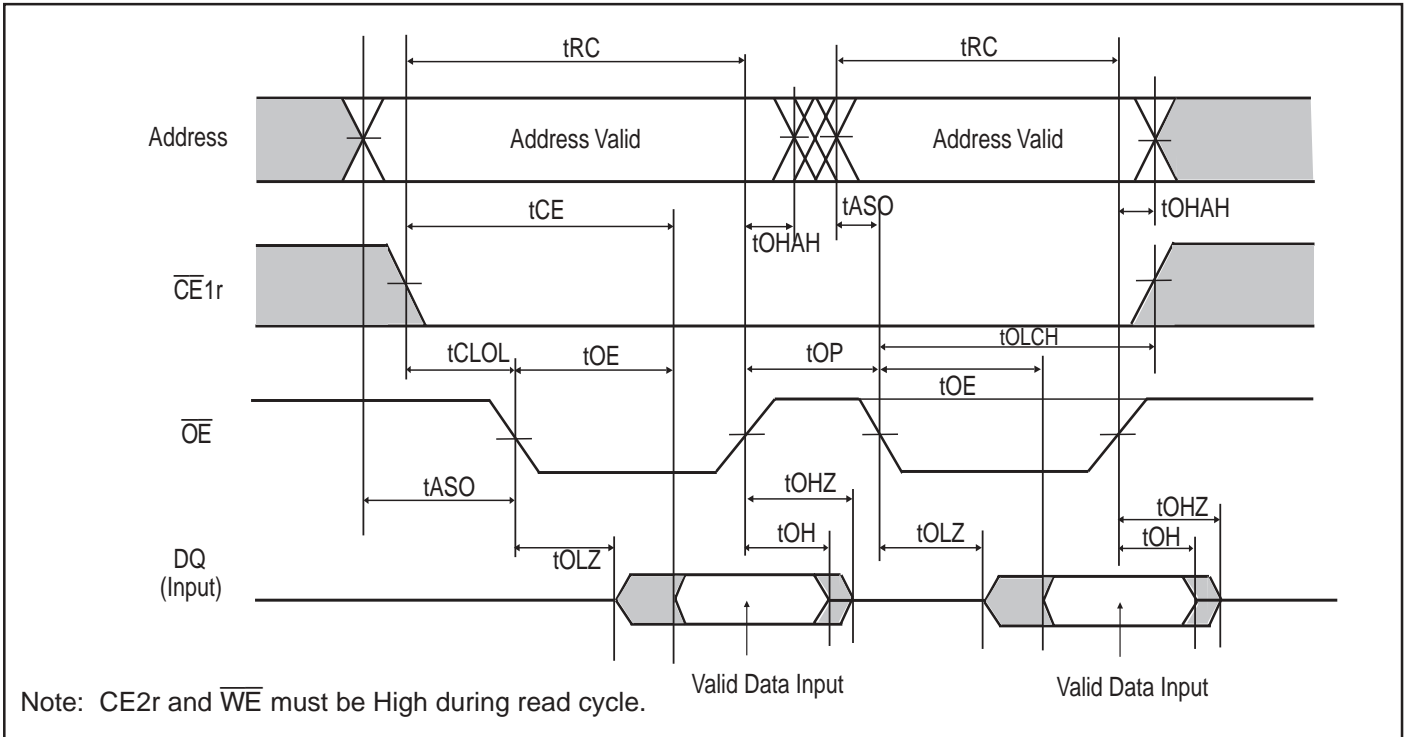
1. Unintended data may be written into any address location if t_{CHWX} is not satisfied.
2. Must satisfy t_{CHH} (Min) after t_{C2LH} (Min) .
3. Requires Power Down mode entry and exit after t_{C2HL}.
4. Input Transition Time (t_r) at AC testing is 5 ns as shown below. If actual t_r is longer than 5 ns, it may violate some timing parameters of AC specification.

PSRAM AC TEST CONDITIONS

Parameter	Symbol	Conditon	Value	Unit
Input High Level	V _{IH}	V _{CC} = 2.7V to 3.1V	2.3	V
Input Low Level	V _{IL}	V _{CC} = 2.7V to 3.1V	0.4	V
Input Timing Measurement Level	V _{REF}	V _{CC} = 2.7V to 3.1V	1.3	V
Input Transition Time	t _r	Between V _{IL} and V _{IH}	5	ns

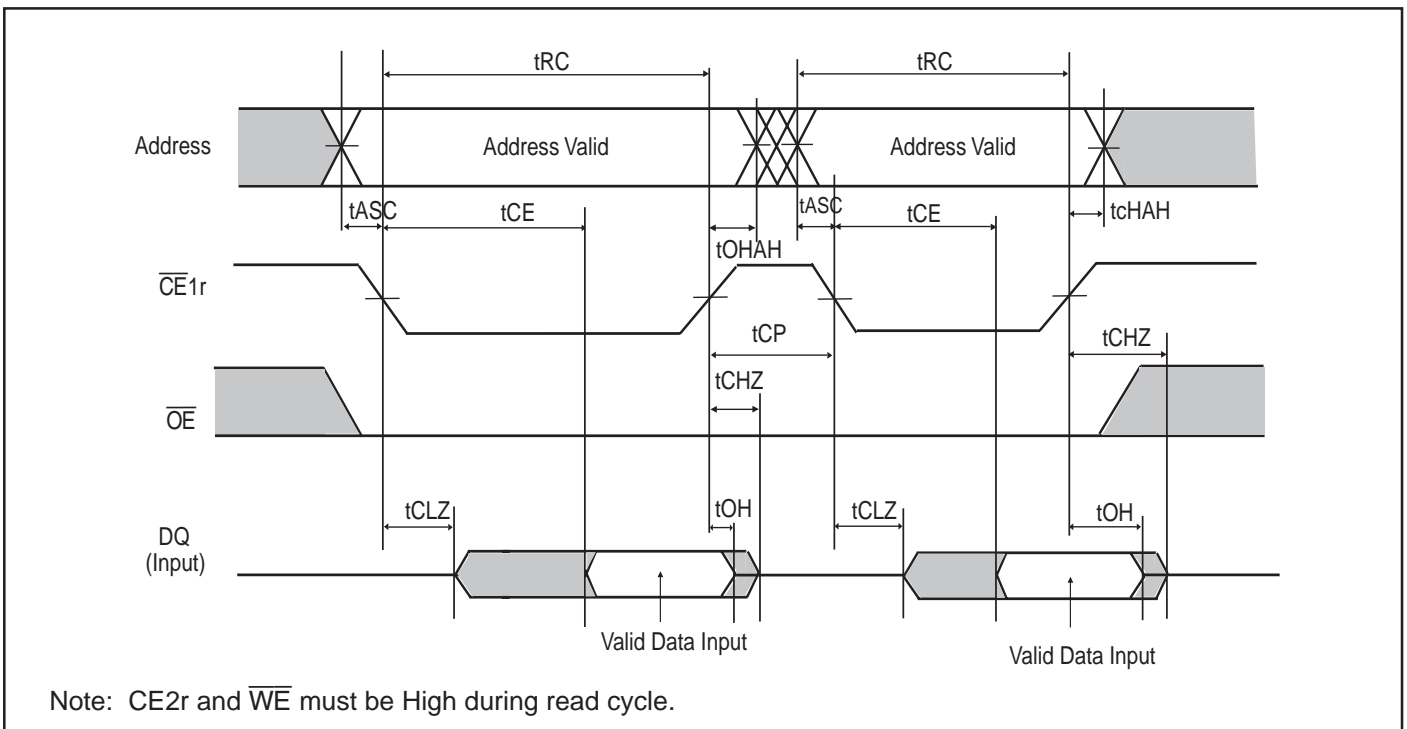
PSRAM READ TIMING

(\overline{OE} Control Access)



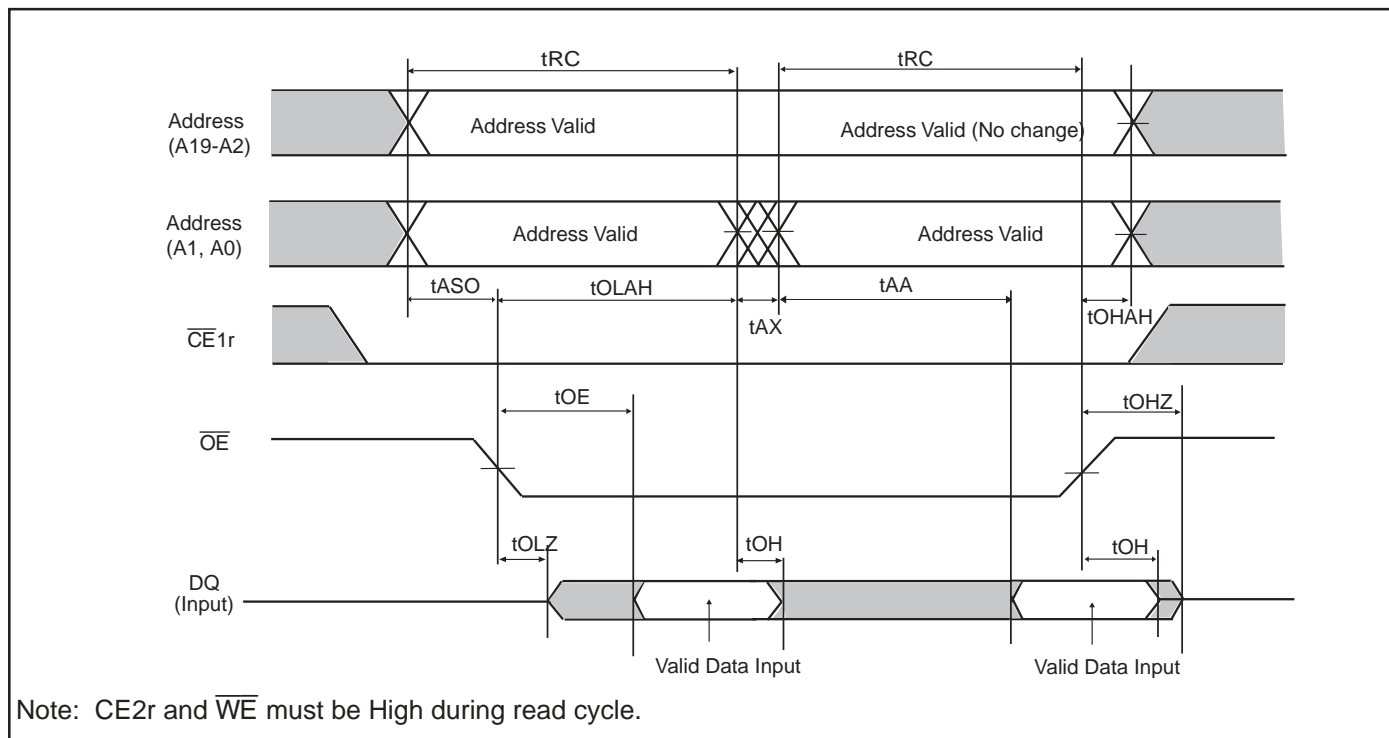
PSRAM READ TIMING

($\overline{CE1r}$ Control Access)



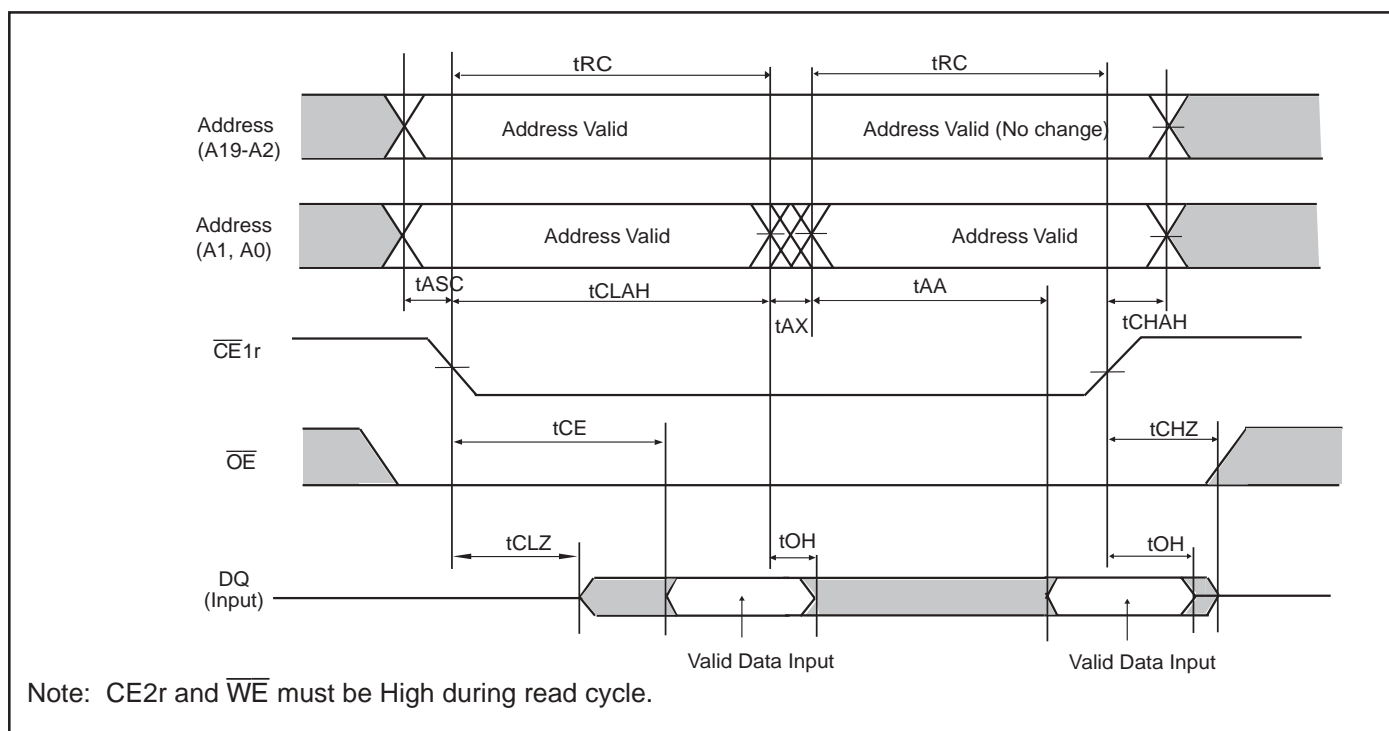
PSRAM READ TIMING

(Address Access after \overline{OE} Control Access)



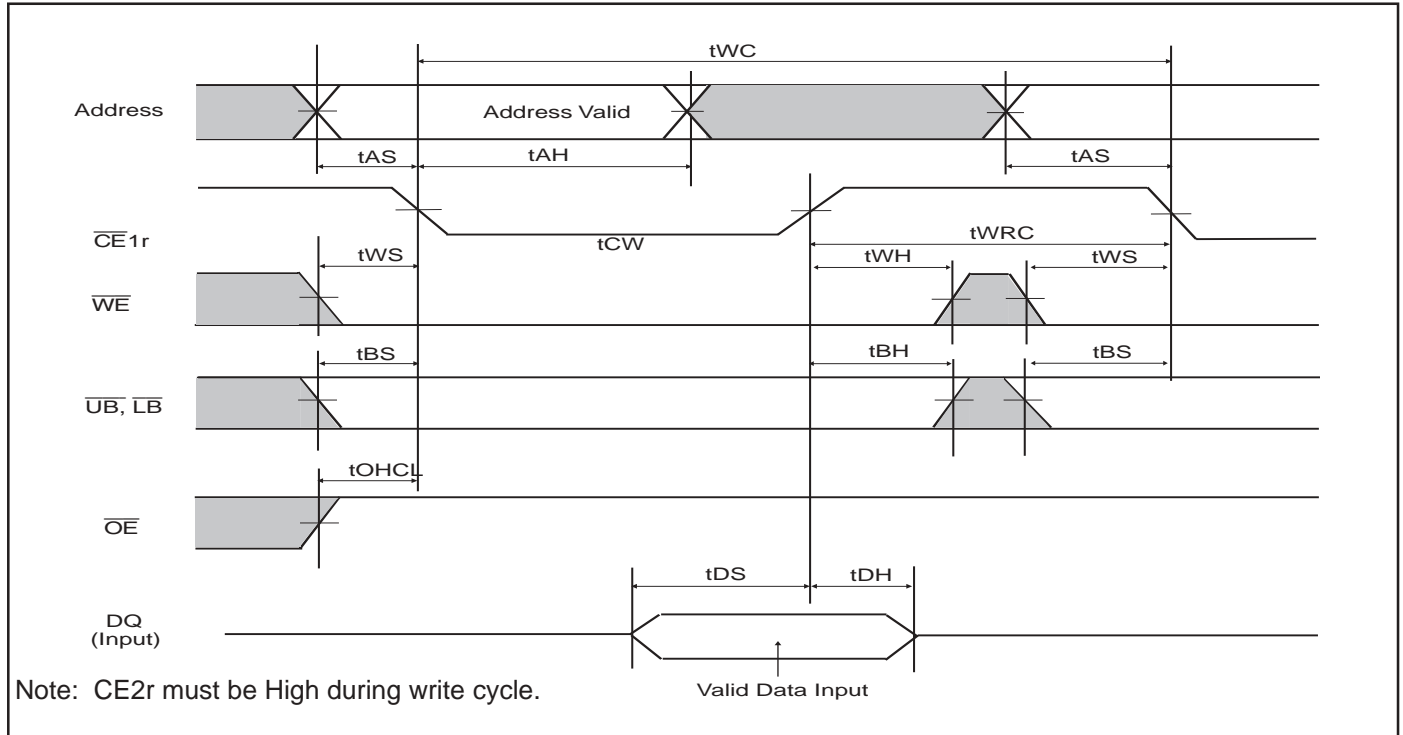
PSRAM READ TIMING

(Address Access after $\overline{CE1r}$ Control Access)



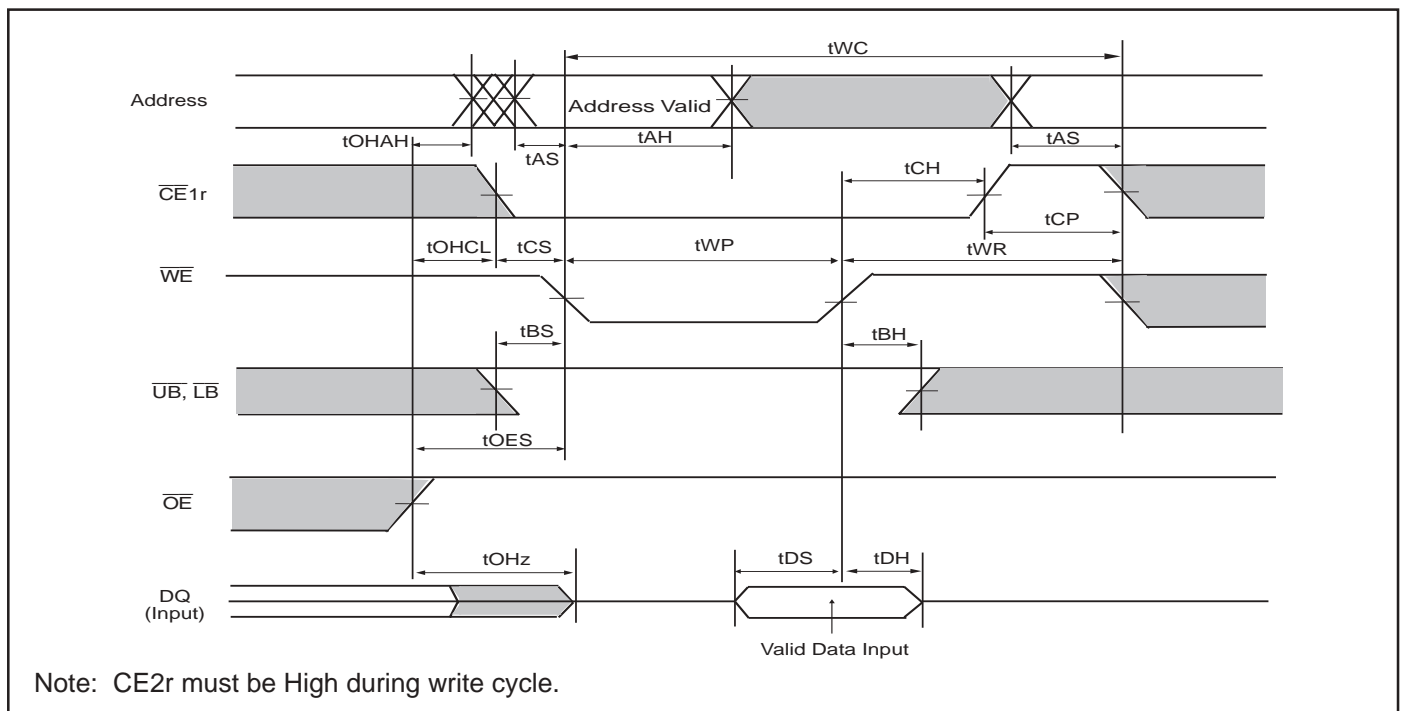
PSRAM WRITE TIMING

($\overline{CE1r}$ Control)



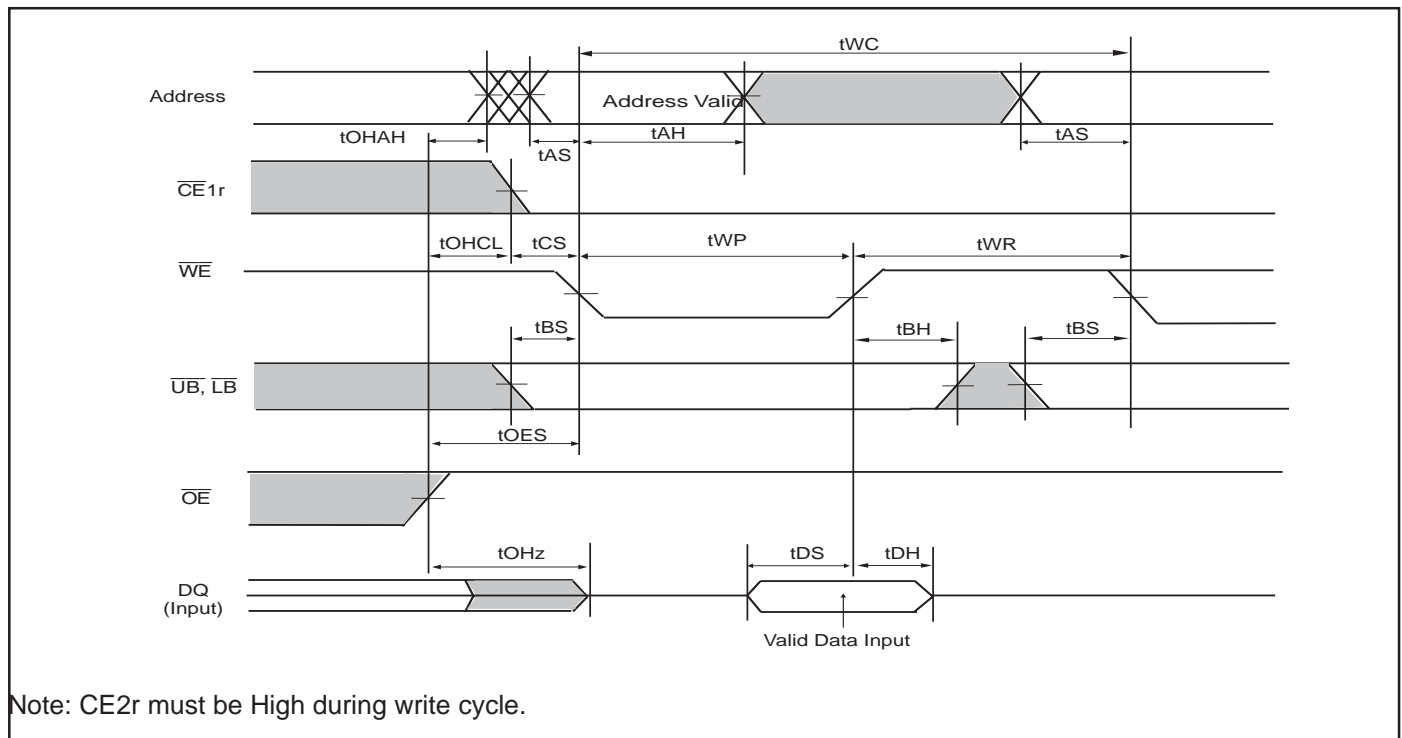
PSRAM WRITE TIMING

(\overline{WE} Control, Single Write Operation)



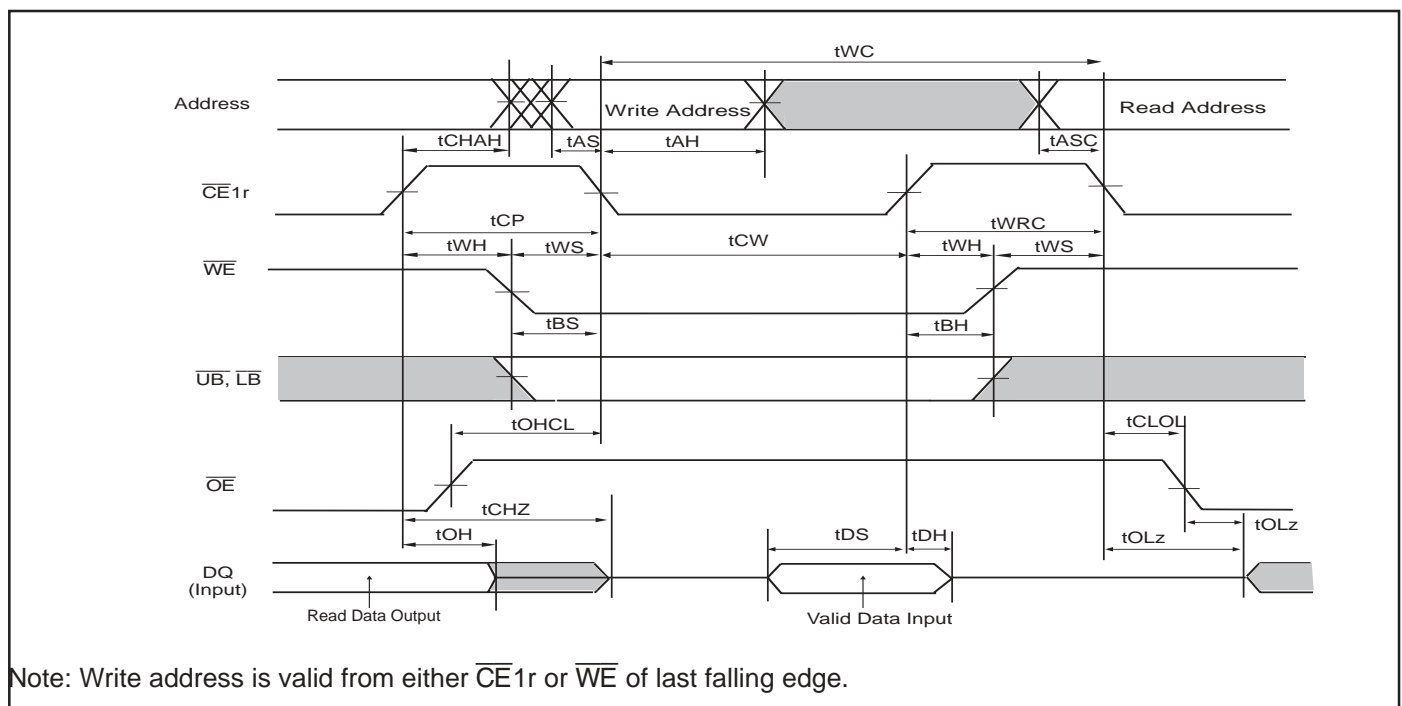
PSRAM WRITE TIMING

(\overline{WE} Control, Continuous Write Operation)



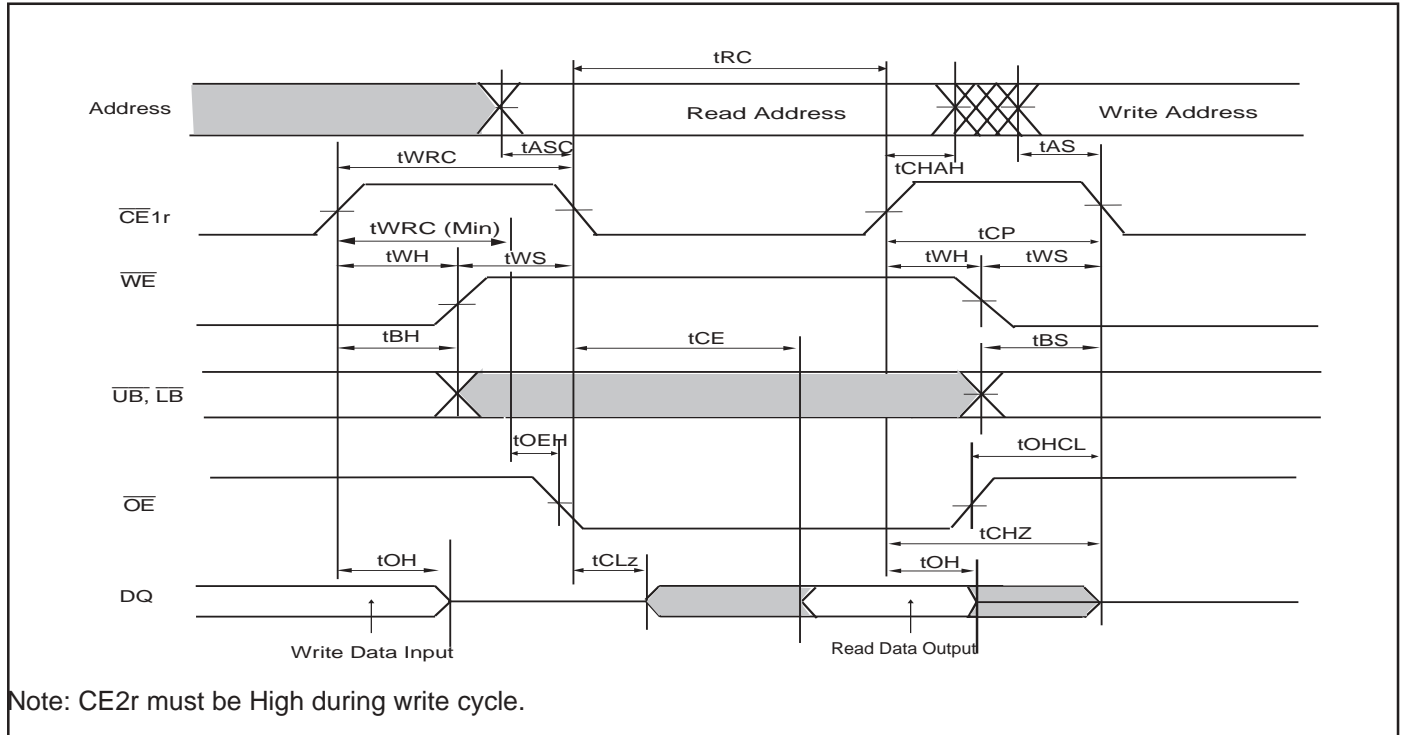
PSRAM READ / WRITE TIMING

($\overline{CE1r}$ Control)



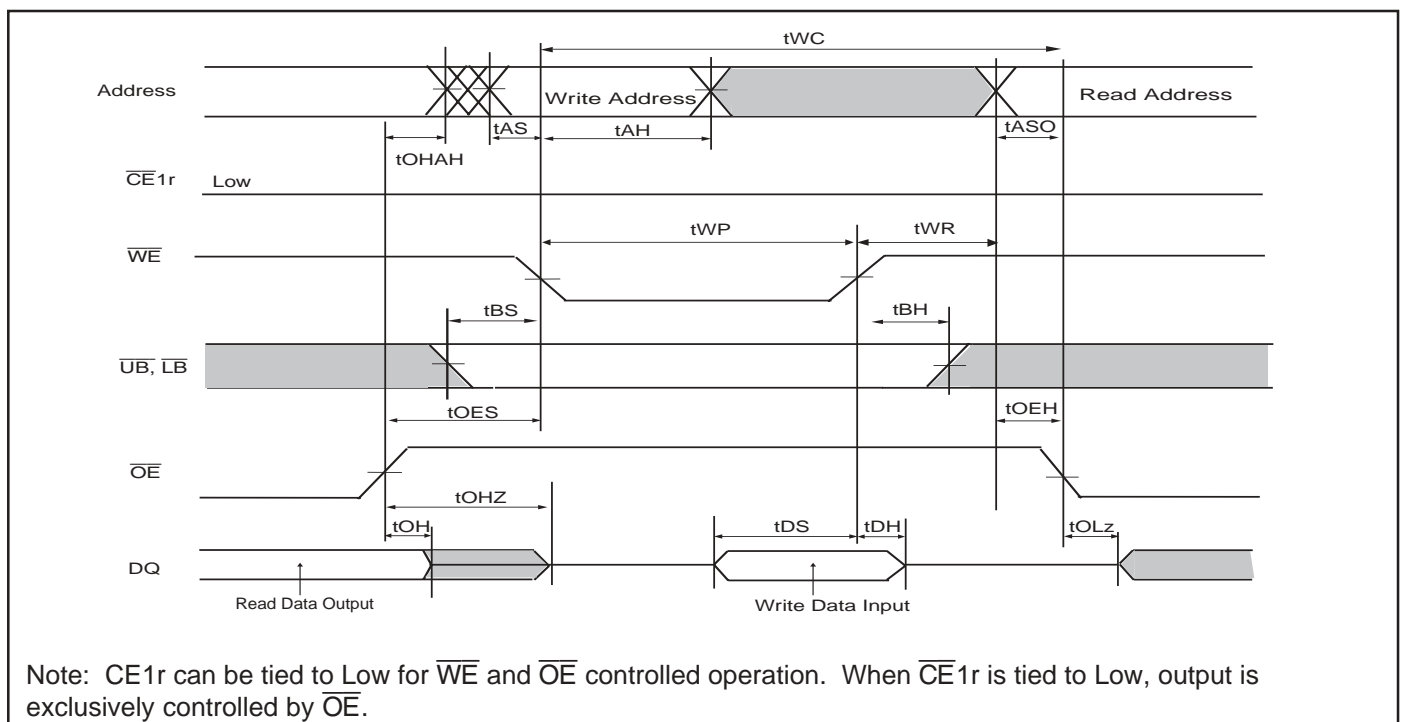
PSRAM READ / WRITE TIMING

($\overline{CE1r}$ Control)



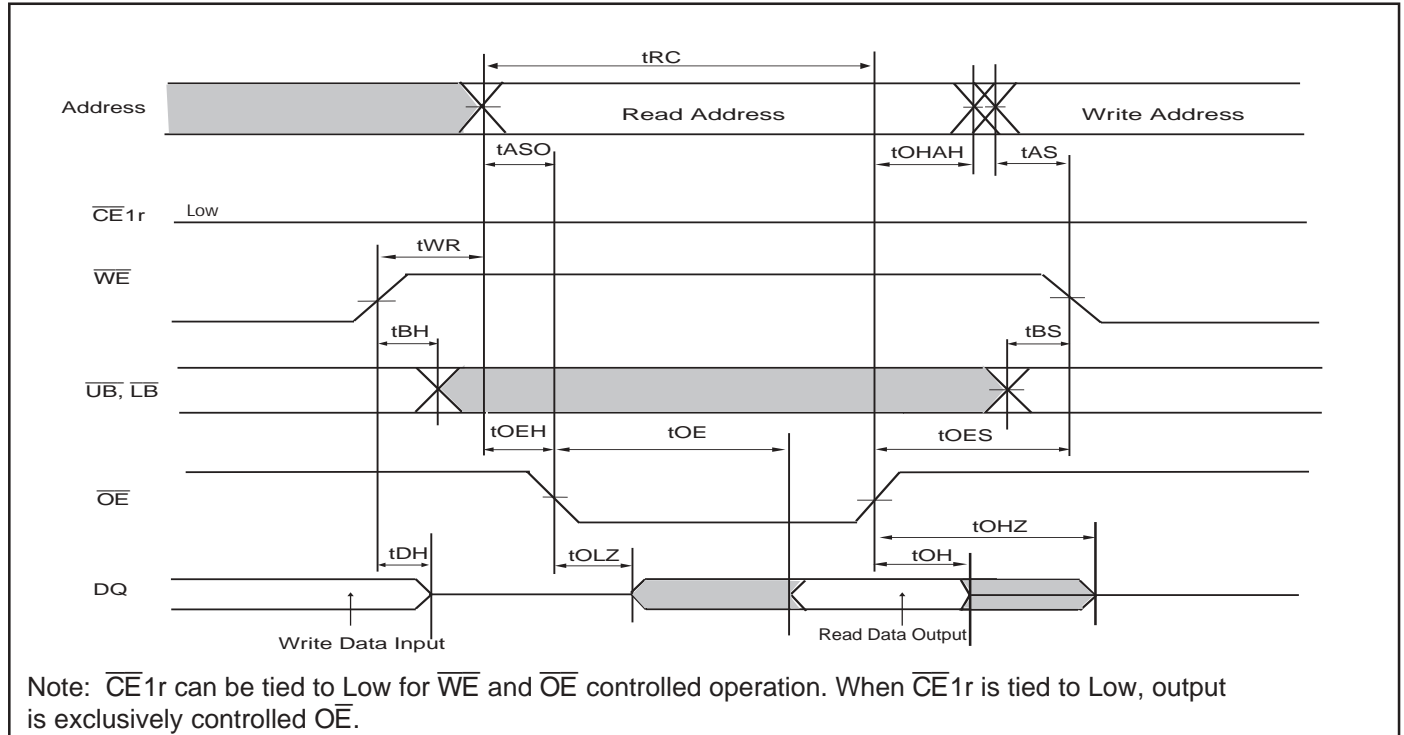
PSRAM READ / WRITE TIMING

(READ = \overline{OE} Control, WRITE = \overline{WE} Control)

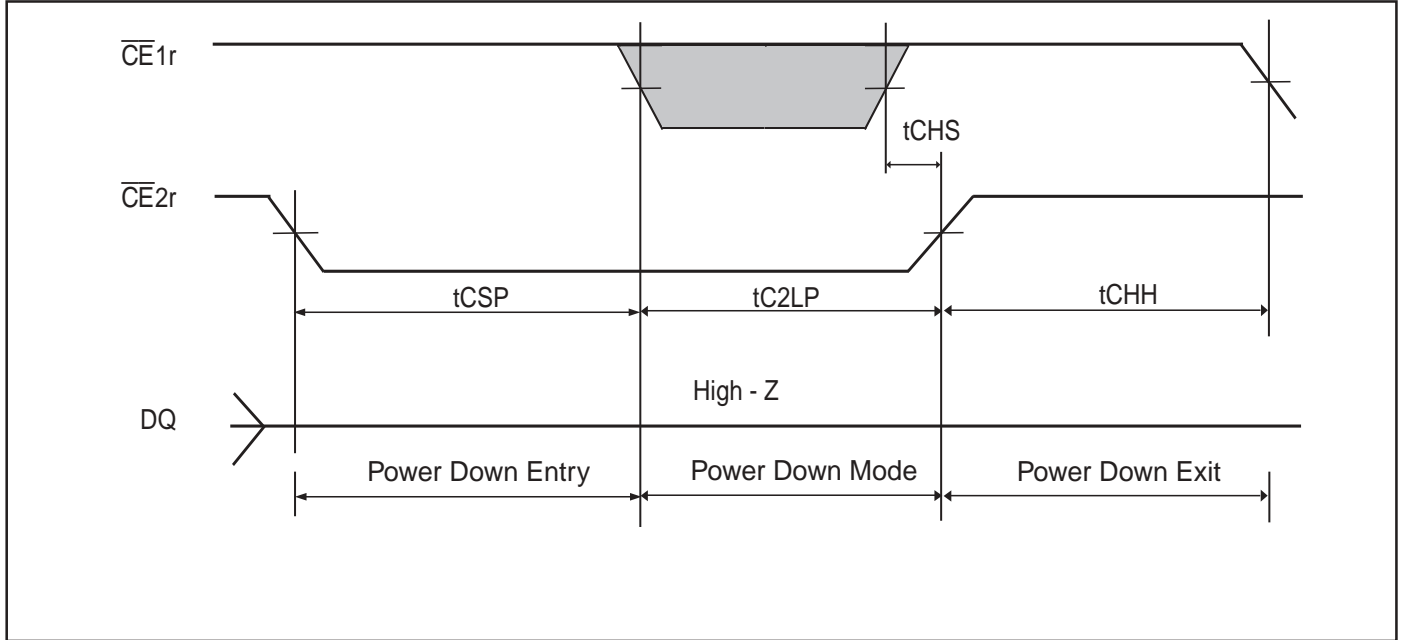


PSRAM READ / WRITE TIMING

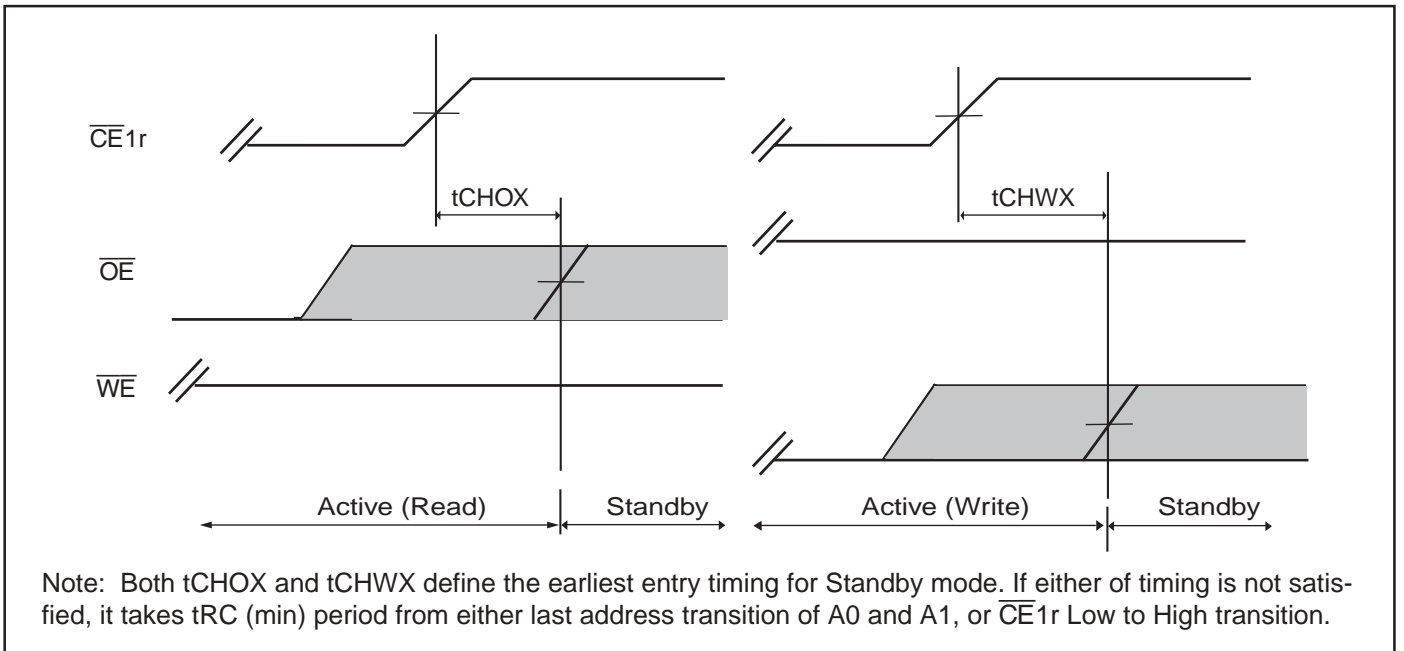
(READ = \overline{OE} Control, WRITE = \overline{WE} Control)



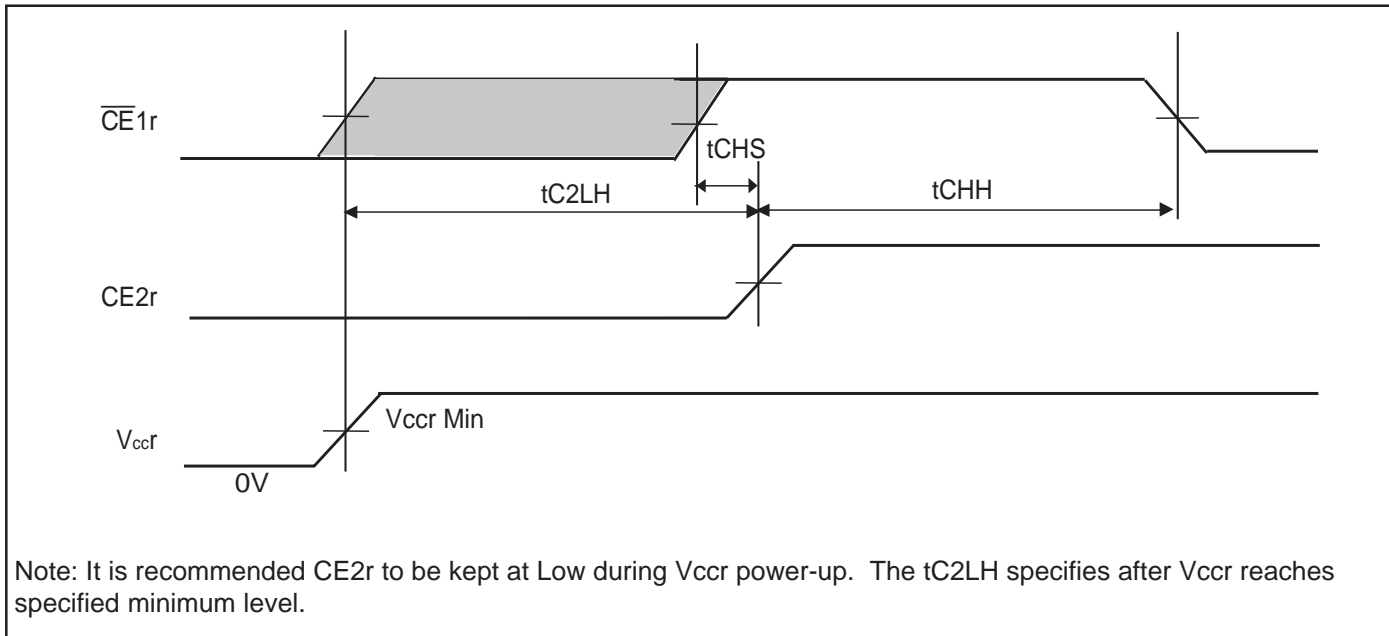
PSRAM POWER DOWN TIMING



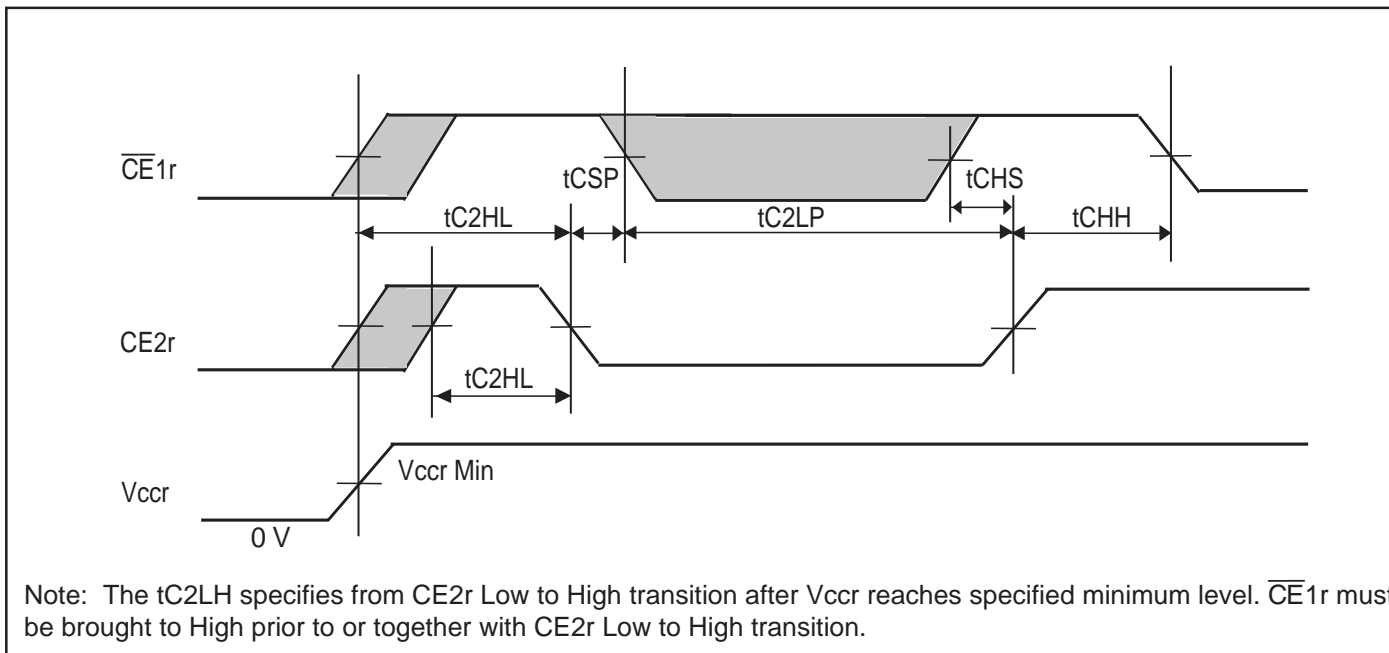
PSRAM STANDBY ENTRY TIMING AFTER READ WRITE



PSRAM POWER UP TIMING 1



PSRAM POWER UP TIMING 2



FLASH ERASE AND PROGRAMMING PERFORMANCE

Parameter	Min.	Max.	Typ. ⁽¹⁾	Unit	Remarks
Sector Erase Time	—	0.2	1.0	s	Excludes programming time prior to erasure
Word Programming Time	—	6.0	60	μs	Excludes system-level overhead
Chip Programming Time	—	—	200	s	Excludes system-level overhead
Erase/Program Cycle	100,00	—	—	cycle	

Note:

1. Test conditions $T_A = +25\text{ }^\circ\text{C}$, $V_{CC} = 2.9\text{V}$, Data = Checker

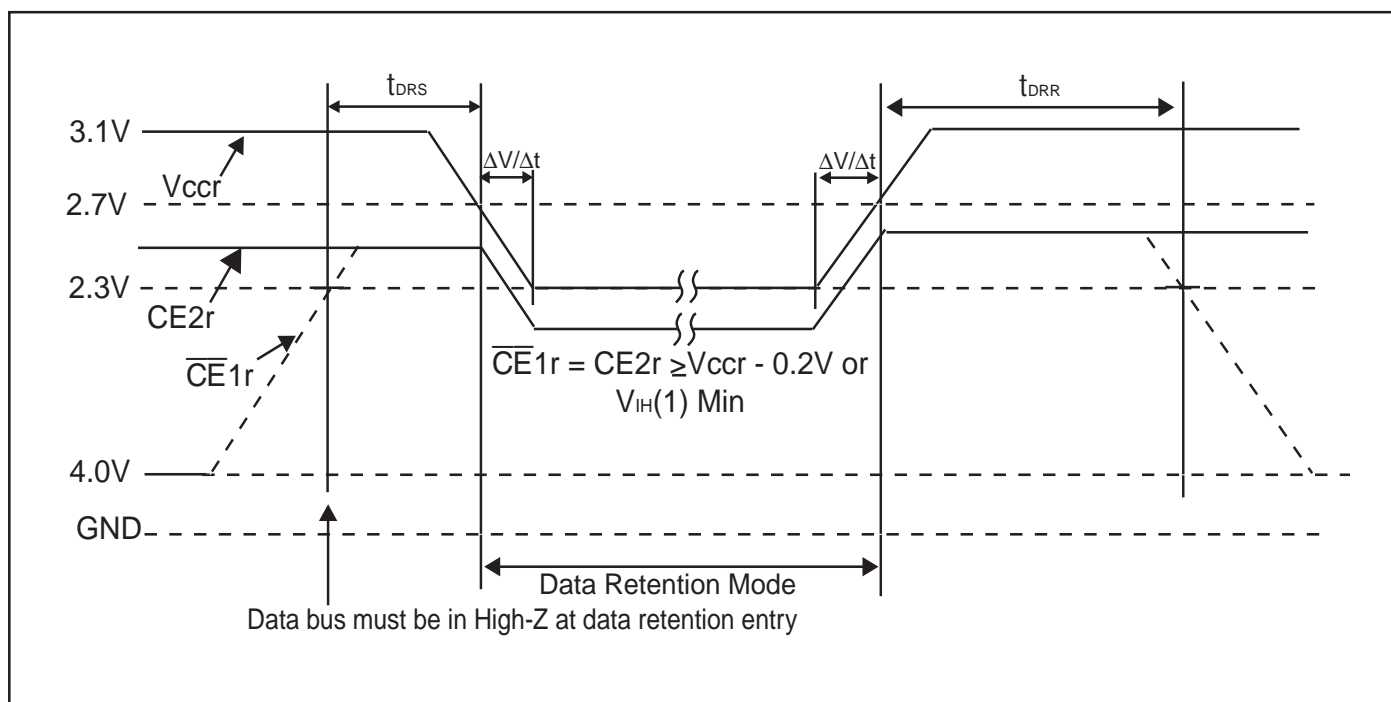
PSRAM DATA RETENTION SWITCHING CHARACTERISTICS

Symbol	Parameter	Conditions	Min.	Max.	Unit
V_{DR}	V _{CCR} Data Retention Supply Voltage	$\overline{CE1r} = CE2r \geq V_{CCr} - 0.2V$ OR, $\overline{CE1r} = CE2r = V_{IH}$	2.1	3.1	V
I_{DR}	V _{CCR} Data Retention Supply Current	$2.3V \leq V_{CCr} \leq 2.7V$, $V_{IN} = V_{IH}^{(1)}$ or V_{IL} $\overline{CE1r} = CE2r = V_{IH}^{(1)}$, $I_{OUT} = 0$ mA	—	1	mA
I_{DR1}	V _{CCR} Data Retention Supply Current	$2.3V \leq V_{CCr} \leq 2.7V$, $V_{IN} \leq 0.2V$ or $V_{IN} \geq V_{CCr} - 2.0V$, $\overline{CE1r} = CE2r \geq V_{CCr} - 0.2V$ $I_{OUT} = 0$ mA	—	70	μA
t_{DRS}	Data Retention SetupTime	$2.7V \leq V_{CCr} \leq 3.1V$, At Data Retention Entry	0	—	ns
t_{DRR}	Data Retention RecoveryTime	$2.7V \leq V_{CCr} \leq 3.1V$, After Data Retention	90	—	ns
$\Delta V/\Delta t$	V _{CCR} Voltage Transition Time	—	0.5	—	V/μs

Note:

- $2.0V \leq V_{IN} \leq V_{CCr} + 0.3$

PSRAM DATA RETENTION TIMING

**Note:**

- $2.0V \leq V_{IH} \leq V_{CCr} + 0.3V$

PSRAM DATA RETENTION SWITCHING CHARACTERISTICS

Symbol	Parameter	Conditions	Min.	Max.	Unit
C _{IN}	Input Capacitance	V _{IN} = 0 V	11	14	pF
C _{OUT}	Output Capacitance	V _{OUT} = 0 V	12	16	pF
C _{IN2}	Control Pin Capacitance	V _{IN} = 0 V	14	16	pF
C _{IN3}	\overline{WP}/ACC Pin Capacitance	V _{IN} = 0 V	21.5	26	pF

Notes:

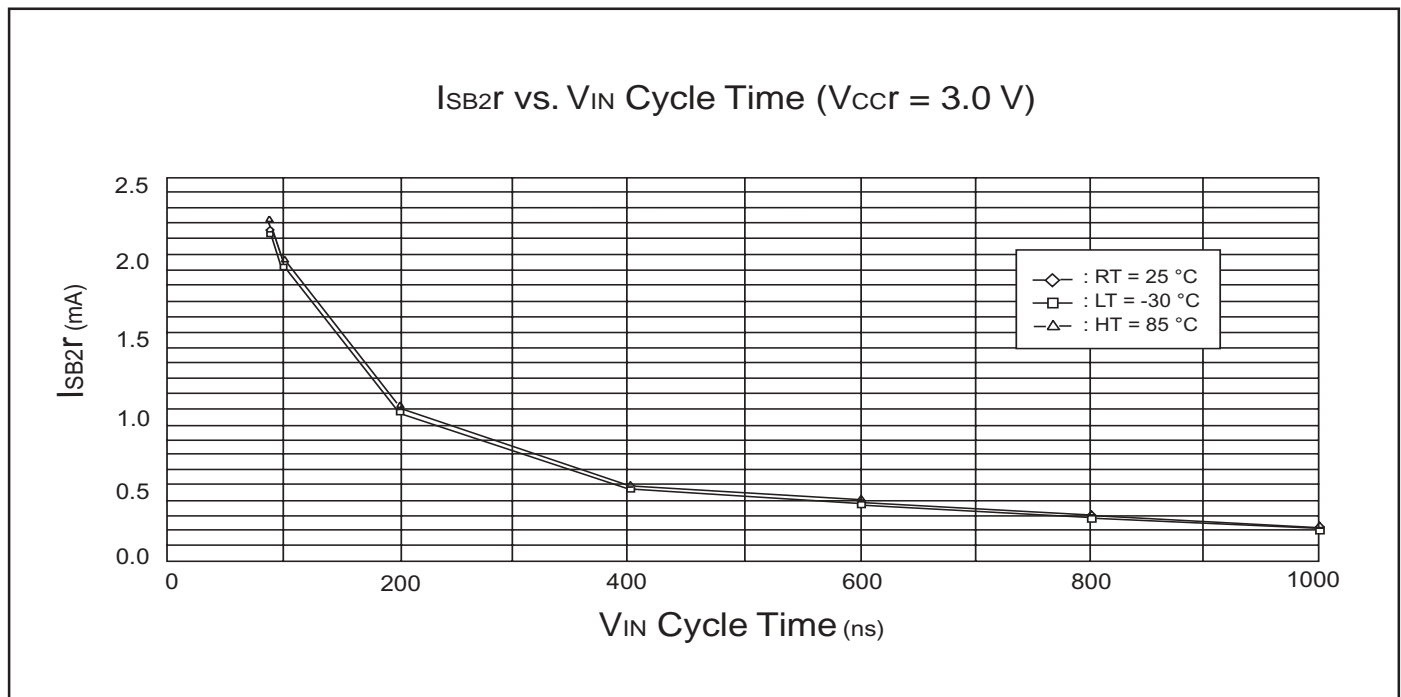
1. Test conditions T_A = +25 °C, f = 1.0 MHz

HANDLING OF PACKAGE:

Please handle this package carefully since the sides of package created with acute angles.

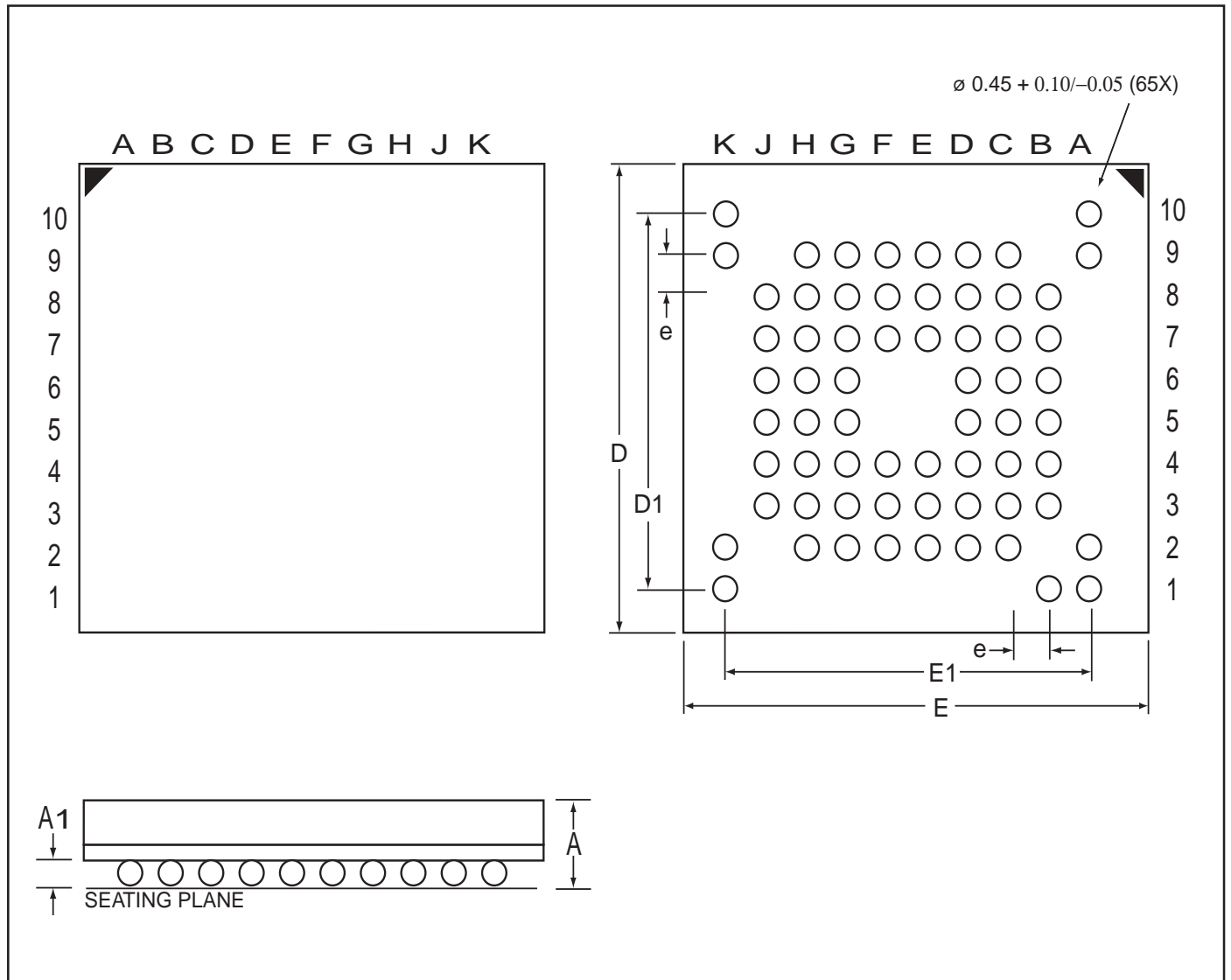
CAUTION:

- 1) The high voltage (VID) cannot be applied to address pins and control pins except RESET. Exception is when autoselect and sector group protection function are used. Then the high voltage (VID) can be applied to RESET.
- 2) Without the high voltage (VID), sector group protection can be achieved by using "Extended Sector Group Protection" command.

I_{SB2r} VS V_{IN} Cycle Time

BALL GRID ARRAY – 65-Ball FBGA

PACKAGE CODE: D - 9.0 mm x 9.0 mm Body, 0.8 mm Ball Pitch



Symbol	Min.	Typ.	Max.	Units
A	1.09	1.19	1.34	mm
A1	0.29	0.39	0.49	mm
D	8.90	9.00	9.10	mm
D1	—	7.20	—	mm
E	8.90	9.00	9.10	mm
E1	—	7.20	—	mm
e	—	0.80	—	mm

ORDERING INFORMATION

Industrial Range: -30°C to +85°C

Order Part No.	SRAM Data Bus	Boot Section	Flash Bank Organization	Flash Speed(ns)	PSRAM Speed(ns)	Package
IS75V16F64GS16-7080DI	16	PC	PC	70	80	65-ball FBGA