

Chip Ceramic Discriminator for Communication

JTC Chip Ceramic Discriminator for Communication (Murata CDBC Compatible)



► Preview

Token Chip Ceramic Discriminator JTC series is a central player in providing small low-cost low-power semiconductors to aid the deployment of communication products. The incorporation of piezoelectrics technology allows the product's function and feature set to be easily configured via surface mount installation.

JTC consists of wide band piezoelectric resonator. It is ideal for mobile communication equipments due to its small size and light weight. Standard line include products for wide range of application, from cordless telecom to cellular telephone, making non-adjustment and shrinking of the detection circuit possible.

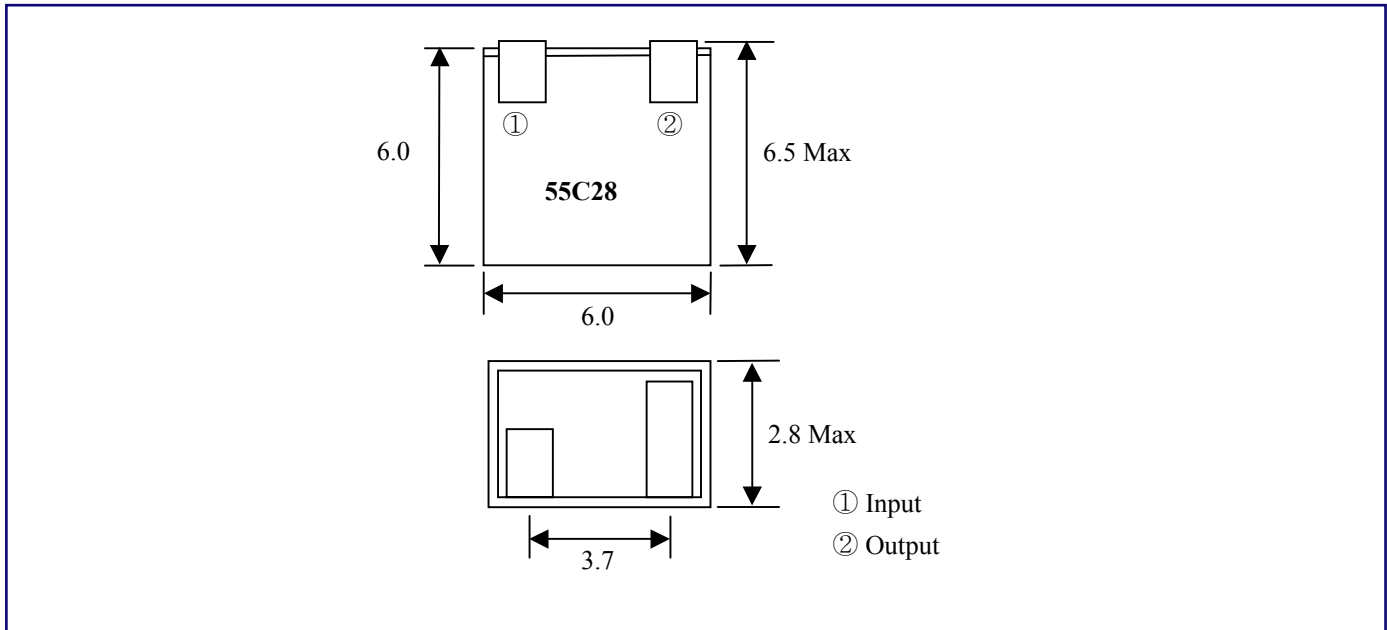
Features :

1. Converters
2. High sensitivity and stability.
3. Small in size and light weight.
4. Realize no-adjustment in detection circuit.
5. Wide range of standard products are available for various ICs.

Characteristics :

1. Center Frequency: 455 ± 2 (kHz).
2. Storage temperature range: -40°C to $+85^{\circ}\text{C}$.
3. Operating temperature range: -20°C to $+80^{\circ}\text{C}$.
4. Dimensions: (6.5 max x 6.0 x 2.8 max) Unit: mm.
5. Available IC: TA31136, TA31142, TA31143, NE605, MC3361, CXA3117N.

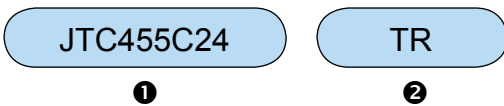
▶ Dimensions



▶ Technical Characteristics

Part Number	Center Frequency(fo)(kHz)	Recovered Audio3dB BW (kHz)min	Recovered AudioOutput (mV)min	Distortion Factor(At fo) (%)max	Applicable IC
JTC455C24	455±2	±4.0	100±40	2.0	TA31136
JTC455C28	455±2	±4.0	40±20	3.0	TA31142
JTC455C29	455±2	±4.0	125±30	2.5	NE605
JTC455C32	455±2	±4.0	40±20	3.0	TA31143
JTC455C49	455±2	±4.0	45±20	3.0	MC3361
JTC455C50	455±2	±4.0	65±20	4.0	CXA3117N

▶ How to Order



① Part Number

② Package (TR:Taping Reel)

Code	Package
TR	Taping Reel

Back to 1st Page - Ceramic Discriminator JTCV10.7M