

PLEASE CHECK WWW.MOLEX.COM FOR LATEST PART INFORMATION

Part Number: [0352841010](#)
Status: **Active**
Description: 2.28mm (.090") Tab Wire-to-Wire Uniconn Housing, Female, 10 Circuits

Documents:

[3D Model](#) [Product Specification PS-35282-001 \(PDF\)](#)
[Drawing \(PDF\)](#) [RoHS Certificate of Compliance \(PDF\)](#)

General

Product Family Crimp Housings
 Series [35284](#)
 Product Name Uniconn

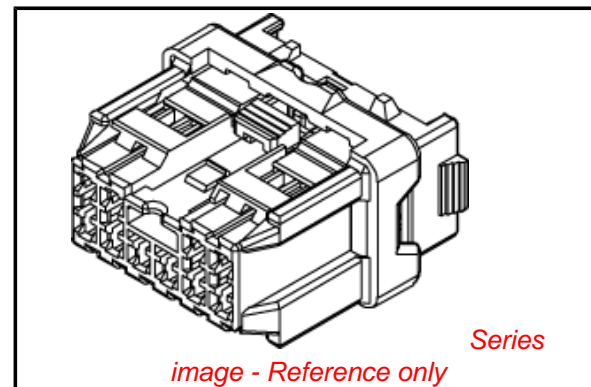
Physical

Circuits (maximum) 10
 Color - Resin Black, Natural
 Gender Female
 Glow-Wire Compliant No
 Material - Resin Polyester
 Number of Rows 2
 Packaging Type Bag
 Panel Mount No
 Pitch - Mating Interface (in) 0.150 In
 Pitch - Mating Interface (mm) 3.80 mm
 Temperature Range - Operating -40°C to +80°C

Material Info

Reference - Drawing Numbers

Product Specification PS-35282-001
 Sales Drawing SD-35284-1010



EU RoHS

ELV and RoHS Compliant
REACH SVHC
 Not Reviewed
Halogen-Free Status

China RoHS



Need more information on product environmental compliance?

Email productcompliance@molex.com
 For a multiple part number RoHS Certificate of Compliance, [click here](#)

Please visit the [Contact Us](#) section for any non-product compliance questions.

Search Parts in this Series

[35284Series](#)

Mates With

[35282](#)

Use With

[35420](#) , [35421](#)

DMK-AZ
SD-35284-10.0

SIMILAR ITEM

PROJECT NO.

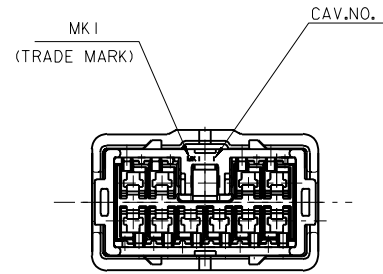
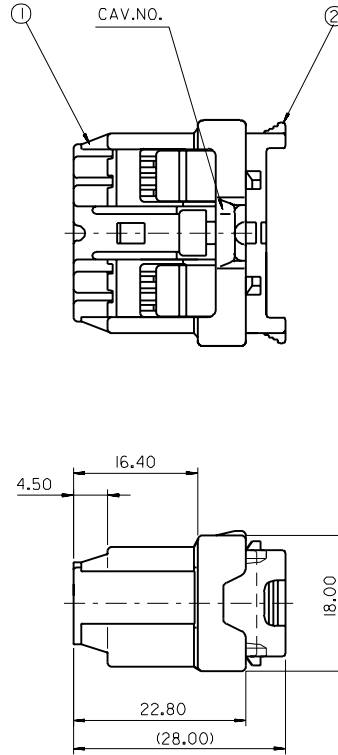
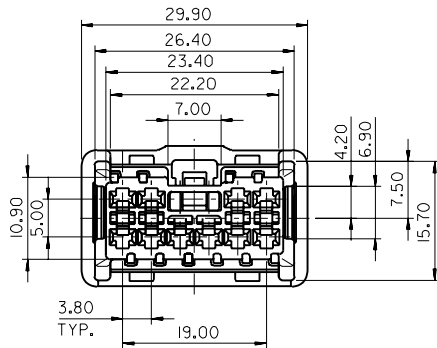
E

D

C

B

DO NOT SCALE DRAWING
DIMENSION IN METRIC



ASS'Y NO.	MATERIAL NO.	PART NAME	COLOR	MATERIAL
35284-1010	① 352841090	090 W/W FEMALE HOUSING-IOP	NATURAL	POLYESTER (PBT)
	② 352851081	090 W/W FEMALE TPA-IOP	BLACK	
35284-1013	① 352841093	090 W/W FEMALE HOUSING-IOP	YELLOW	POLYESTER (PBT)
	② 352851081	090 W/W FEMALE TPA-IOP	BLACK	

REVISIONS TO PART NUMBER DRAWING NUMBER DIMENSIONAL CHANGES APPROVED BY DATE	QUALITY SYMBOLS MAJOR MINOR CRITICAL REVISION	GENERAL TOLERANCES: (UNLESS SPECIFIED) DIM INCH ± .005 DIM MM ± .05 ANGULAR ± 1.0°	SCALE 1:1 DESIGN UNITS DIM INCH DIM MM	DRAWN BY & DATE W.Y. YANG, 97/11/17 CHECKED BY & DATE B.K. CHOI, 97/11/17 APPROVED BY & DATE C.W. LEE, 97/11/17	THIRD ANGLE PROJECTION DIMENSIONS: DIM INCH DIM MM DIM ONLY	SHEET REV. REVISE ON CAD ONLY
	TITLE: UNICONN FEMALE ASS'Y-IOP MOLEX INCORPORATED				CAD FILENAME: SD3528410.DGN MATERIAL NO.: SD 35284-10.0 DRAWING NO.: SD 35284-10.0 SEE TABLE	SHEET NO.: 1/1 SIZE: C

MX-A2